

Instruction

NOTE: Only the technical personnel can be allowed to fix and maintain.
IMPORTANT!

Make sure that the power is switched off at the electricity mains supply before commencing work.

2. If the external cables have been damaged, please change or repair by manufacturer or service agency or professional electrician, in order to avoid the danger.

FIXING INSTRUCTIONS

1. Remove the mounting bracket from the fitting.
2. Carefully mark holes on the wall for fixing. Take care when drilling holes that the drill does not damage the mains supply wires. Screw the mounting bracket to the wall using the wood screws.
3. a. Firmly connect the mains supply wires to the light fitting using the terminal block provided. Ensure that wires are secure and that no bare wire is exposed.

Fitting wire colour Household circuit

Green/Yellow connect to Earth - Yellow/Green

Black connect to Live - Black

White connect to Neutral - White

- b. Install the fitting to the mounting bracket, tighten it using the securing screws.
4. Install lampshade to lighting frame.
5. Turn on the power, enjoy your new lighting product.

REPLACEMENT BULB

Do not exceed the maximum wattage.

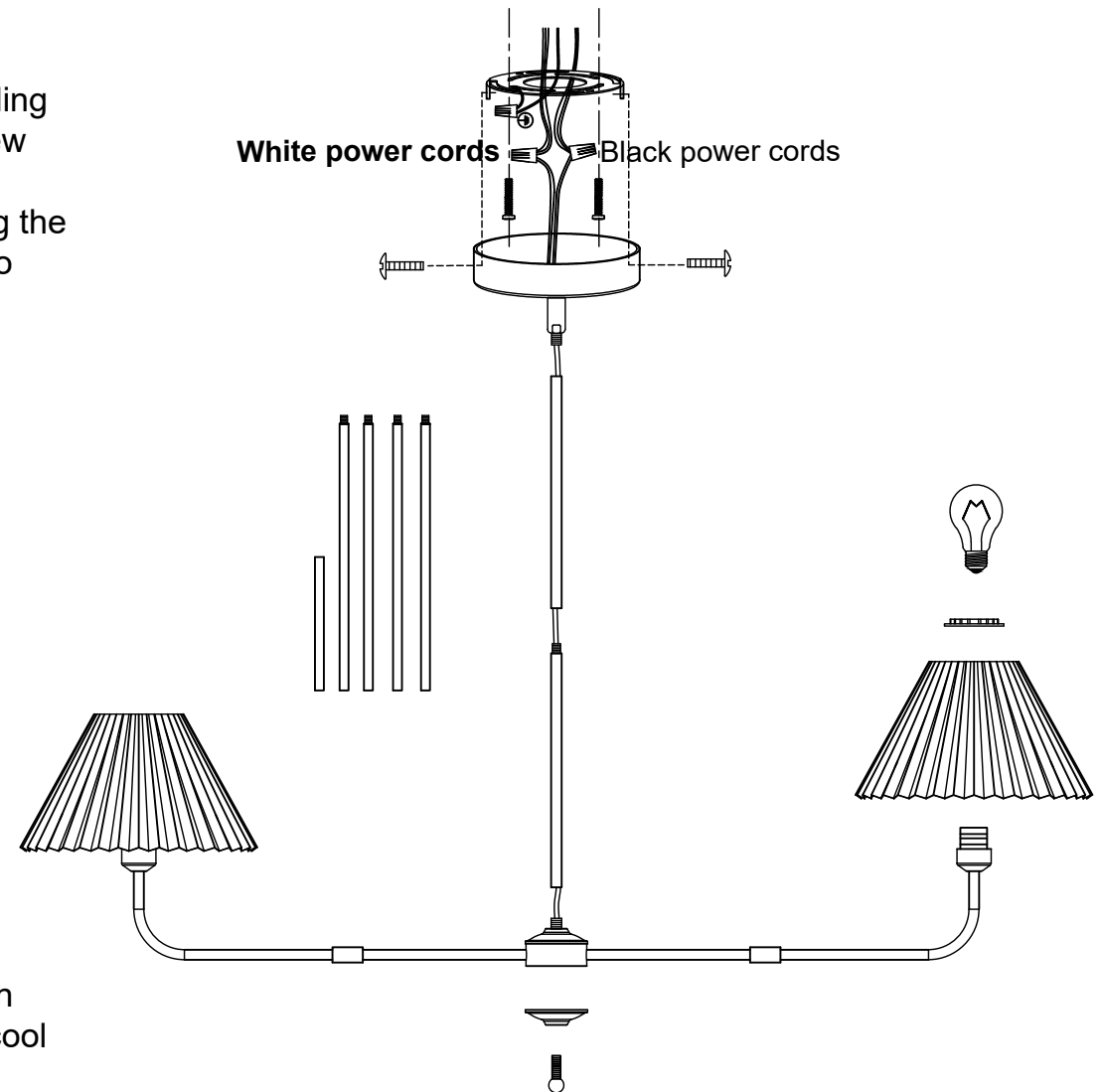
Light bulbs recommended: 2 X Max 60W E26

CLEANING CARE

Clean with a soft dry cloth.

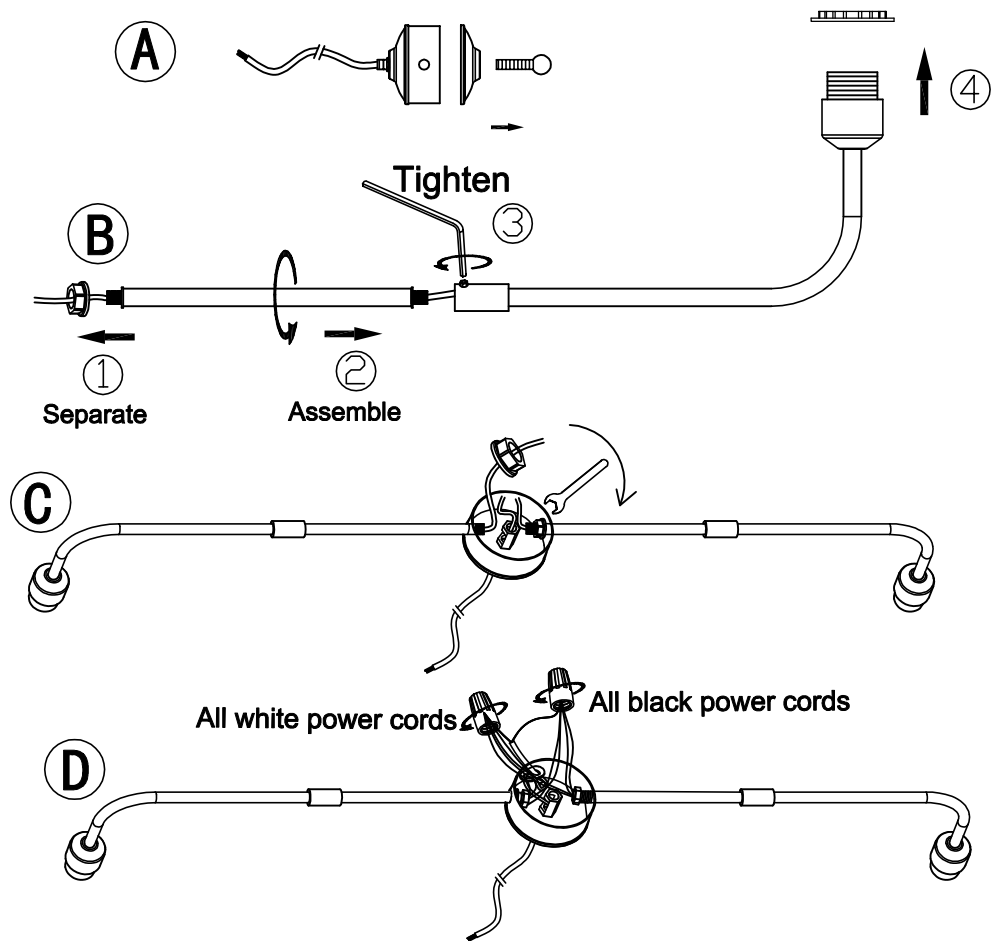
SAFETY INFORMATION

1. Lamp used must be in rated voltage, and do not touch the bulb with bare hands. Always switch off the electricity supply and allow to cool for 5 minutes before changing the light bulbs.

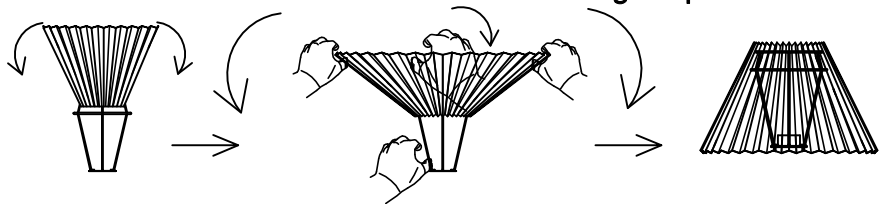


Detailed installation on the back

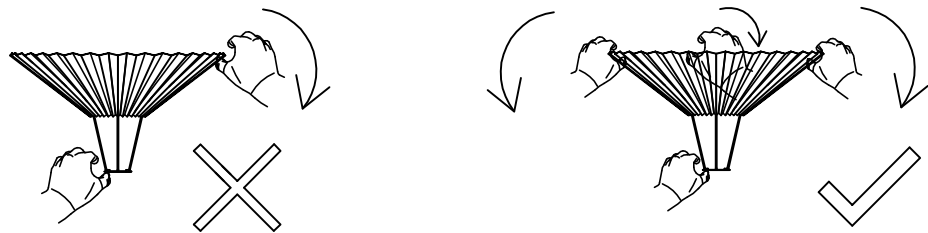
Installation method of lighting fixtures



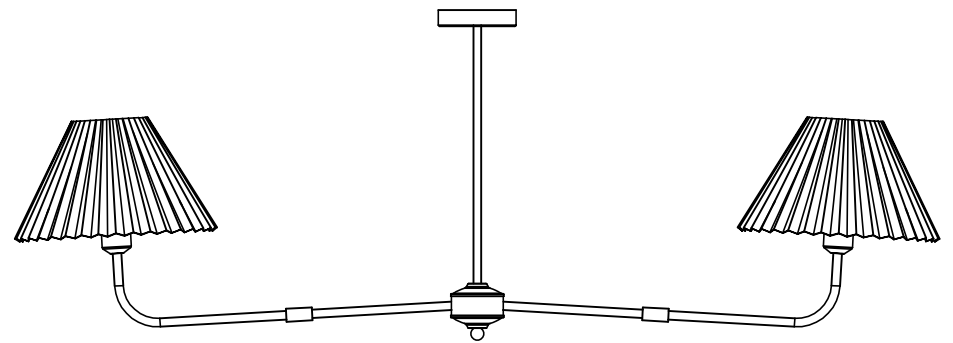
The correct method for installing lampshades



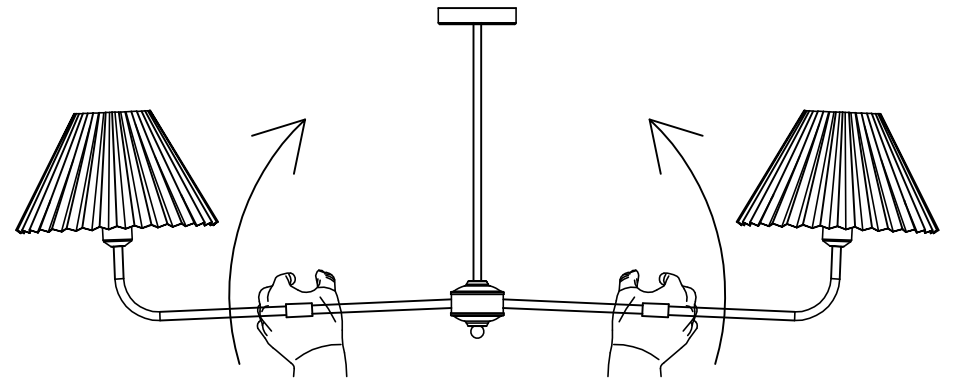
Three hands need to be opened on all three sides simultaneously.
We need one more person to help! It's to prevent damage to the lampshade



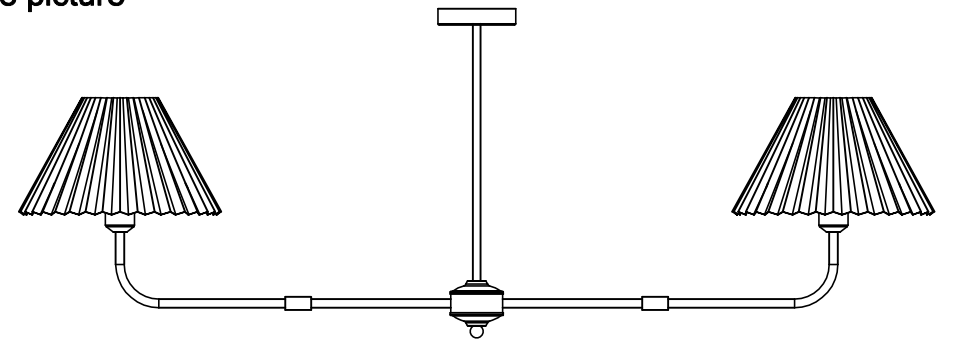
In special circumstances



After the installation of the lighting fixtures, this situation may occur



You can make slight adjustments according to the method shown in the above picture



After adjustment, the lighting effect is beautiful