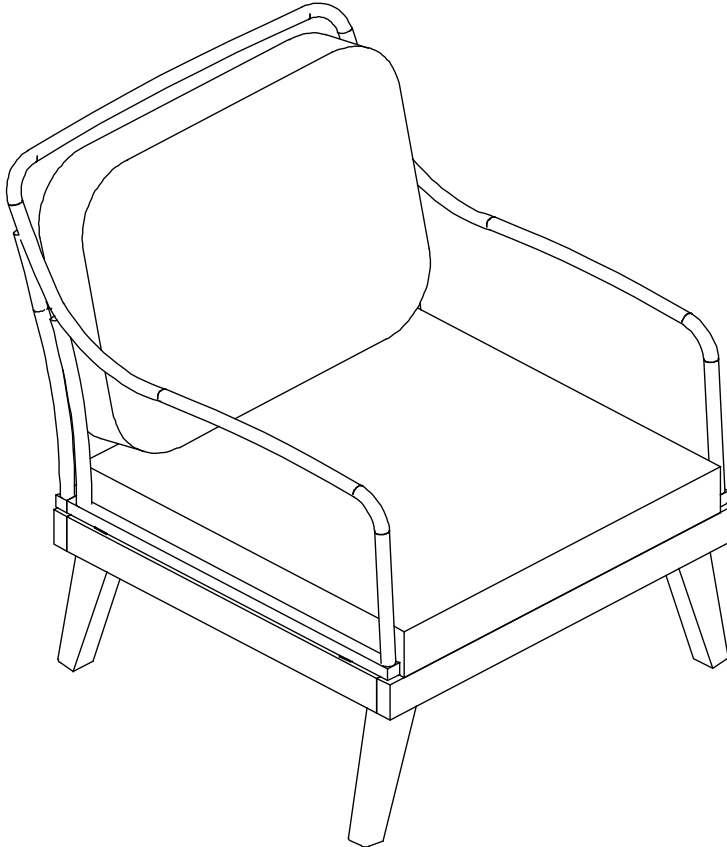


# Assembly Instructions

**Caution: You must read this before you proceed**

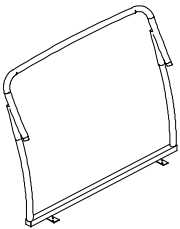
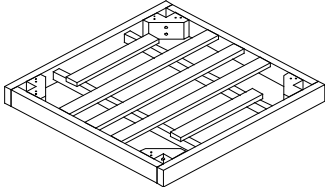
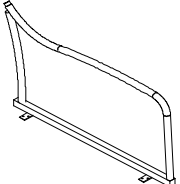
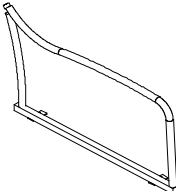

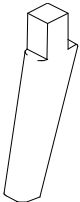
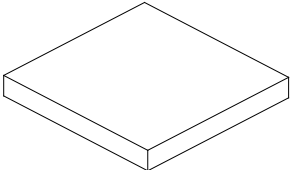
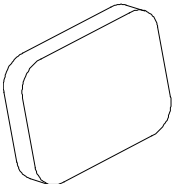
**Please look underneath the Seat Panel for hardware packs**

## **CHAIR**

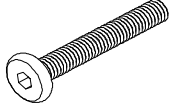

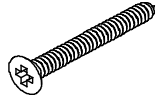
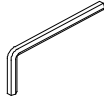
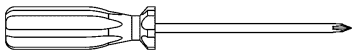


**CAUTION:** This Chair is NOT a TOY.  
Keep your child / children at bay during the assembly process.  
For turning the Chair and to prevent damage to the Chair, 2 people may be needed to execute this action.

# Parts List

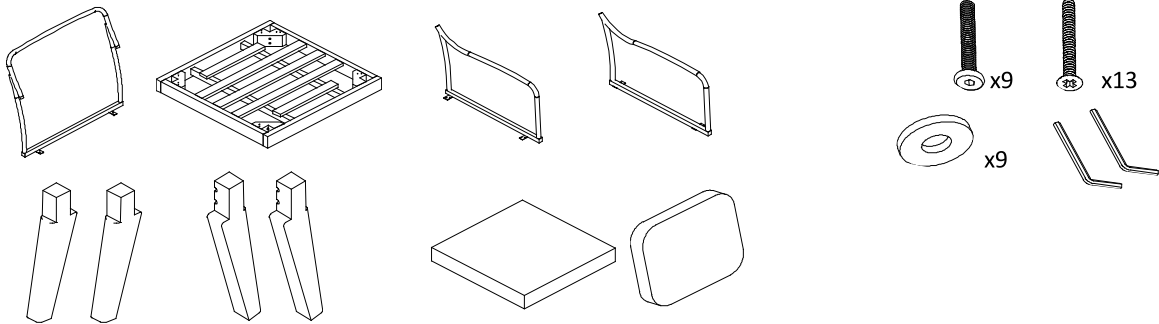
Label	Picture	Description	QTY
A		Backrest Panel	1
B		Seat Panel	1
C		Right Arm Panel	1
D		Left Arm Panel	1
E		Right Leg	2
F		Left Leg	2
G		Seat Cushion	1
H		Backrest Cushion	1

# Hardware

Label	Picture	Description	QTY
①		Bolt (M6x55mm)	9
②		Washer (M6/18x2mm)	9
③		Screw (M4x20mm)	13
④		Allen Wrench(M4)	2
⑤		Screwdriver (Not provided)	1

## Assembly Preparation

### Before Beginning Assembly:



- Read instructions, cover to cover-



- Have 2 adults on hand for assembly-



- Do not assemble on flooring or carpet-



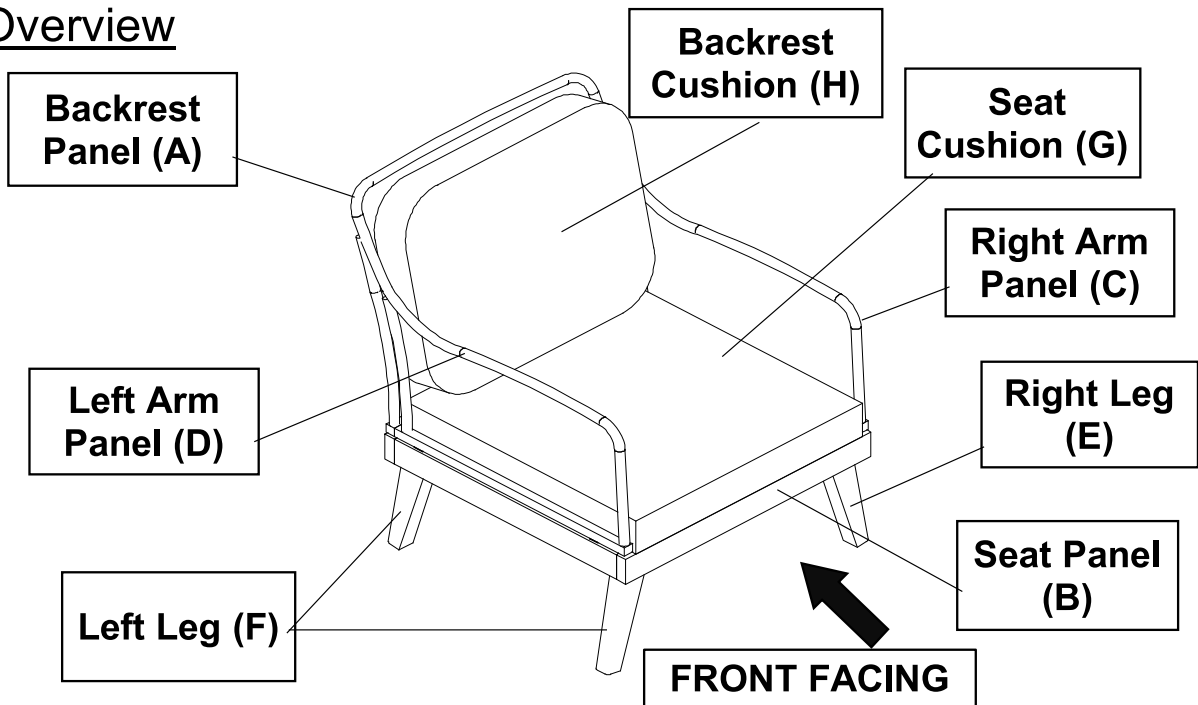
- Assemble on a clean non-marring surface (packing foam)-



- Save all packaging until finished-

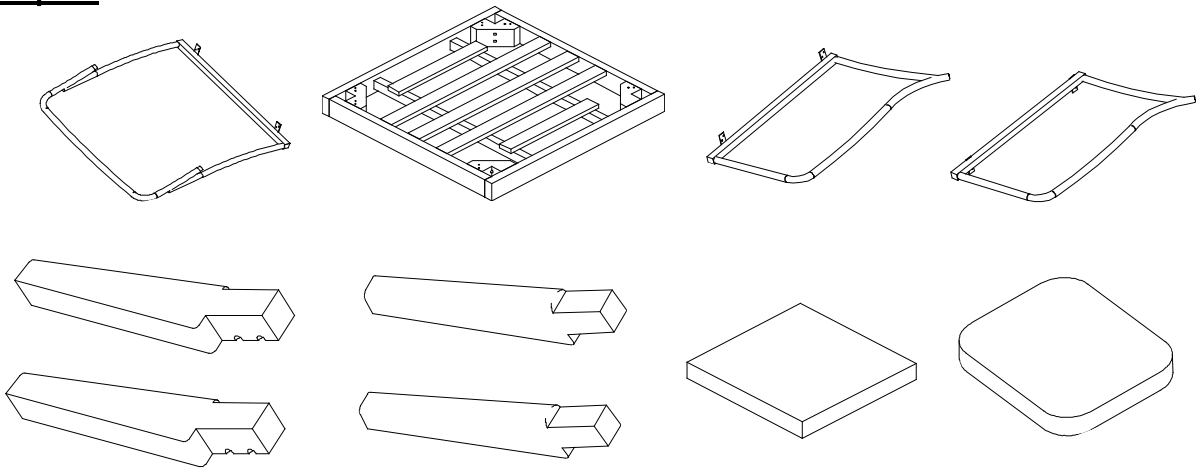
# Assembly Steps

## Overview



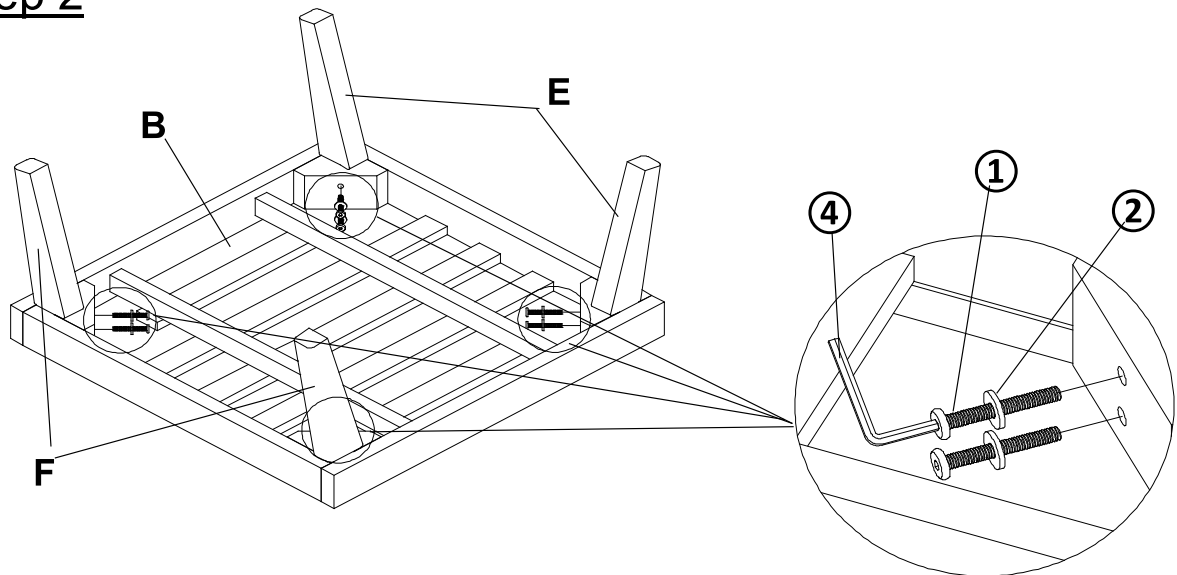
This Chair has multiple parts and may require up to 30 minutes to assemble. To give you an overview of the Chair, the above picture is to help you put the various parts into perspective. Please read through the instructions below to familiarise yourself with the parts and steps before assembly.

## Step 1



Unpack and place all parts on a clean, non-marring surface.

## Step 2

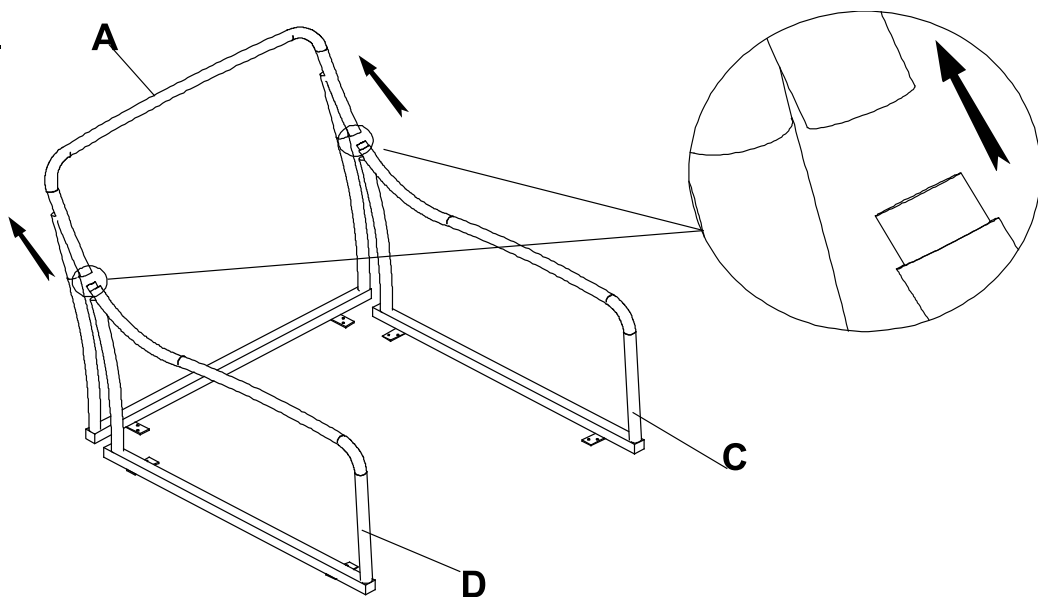


With assistance from your adult partner, place the Seat Panel (B) facedown onto a clean, non-marring surface, then attach the Right Leg(E) and Left Leg(F) to the Seat Panel(B) using the Bolts(①), Washers(②) and the Allen Wrench(④).

**Do not fully tighten the Bolts.**

Repeat the same process with the remaining Right Leg(E) and Left Leg(F).

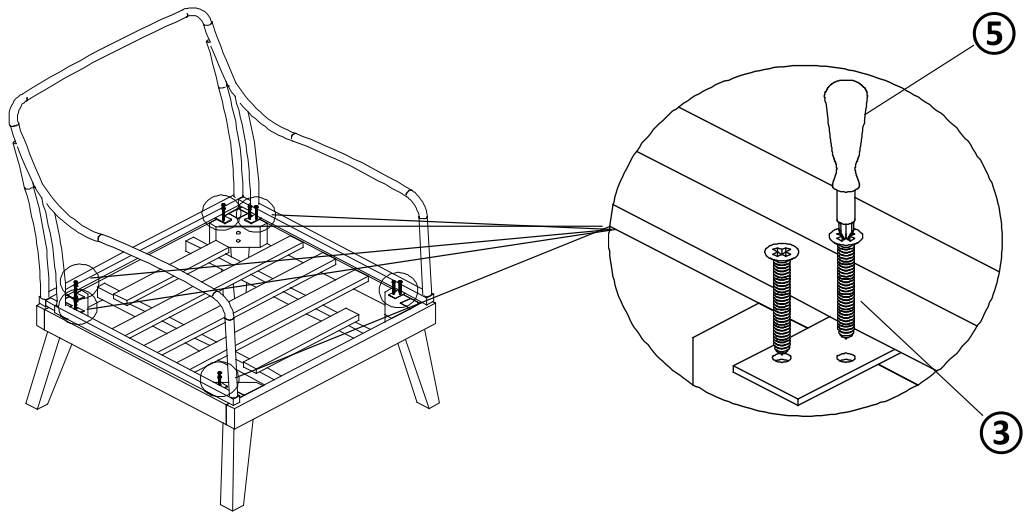
## Step 3



With assistance from your adult partner, position the Right Arm Panel (C) and Left Arm Panel (D) with mortise into the housing of Back Panel (A) as shown in the above picture.

**WARNING** Do not put your finger into the mortise of Right Arm Panel(C), Left Arm Panel (D) and the housing of the Back Panel (A)

## Step 4

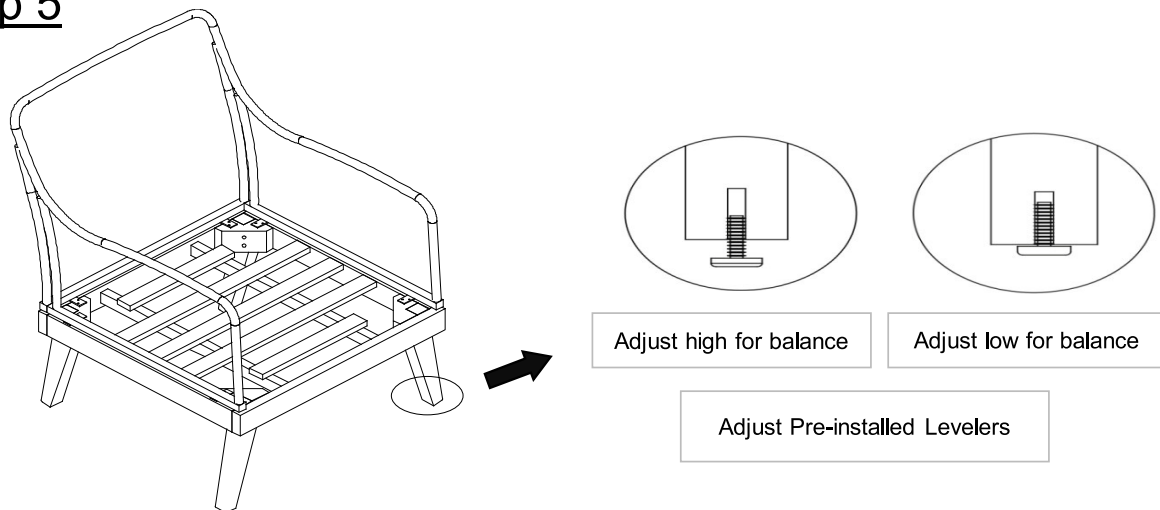


Position the assembled parts in Step 3 to the assembled parts in Step 2 as shown in the above picture.

Then, secure the assembled parts in Step 3 to the assembled parts in Step 2 using the Screws(③) and Screwdriver(⑤).

**Do not fully tighten the Screws.**

## Step 5



**Inspect it and make sure all parts are adequately connected.**

Carefully sit in the Chair. This pressure will help align all parts at all joints. Then get out of the Chair and proceed to tighten the Bolts and Screws in a sequential manner.

**When tightening the Bolts and Screws tighten sequentially.**

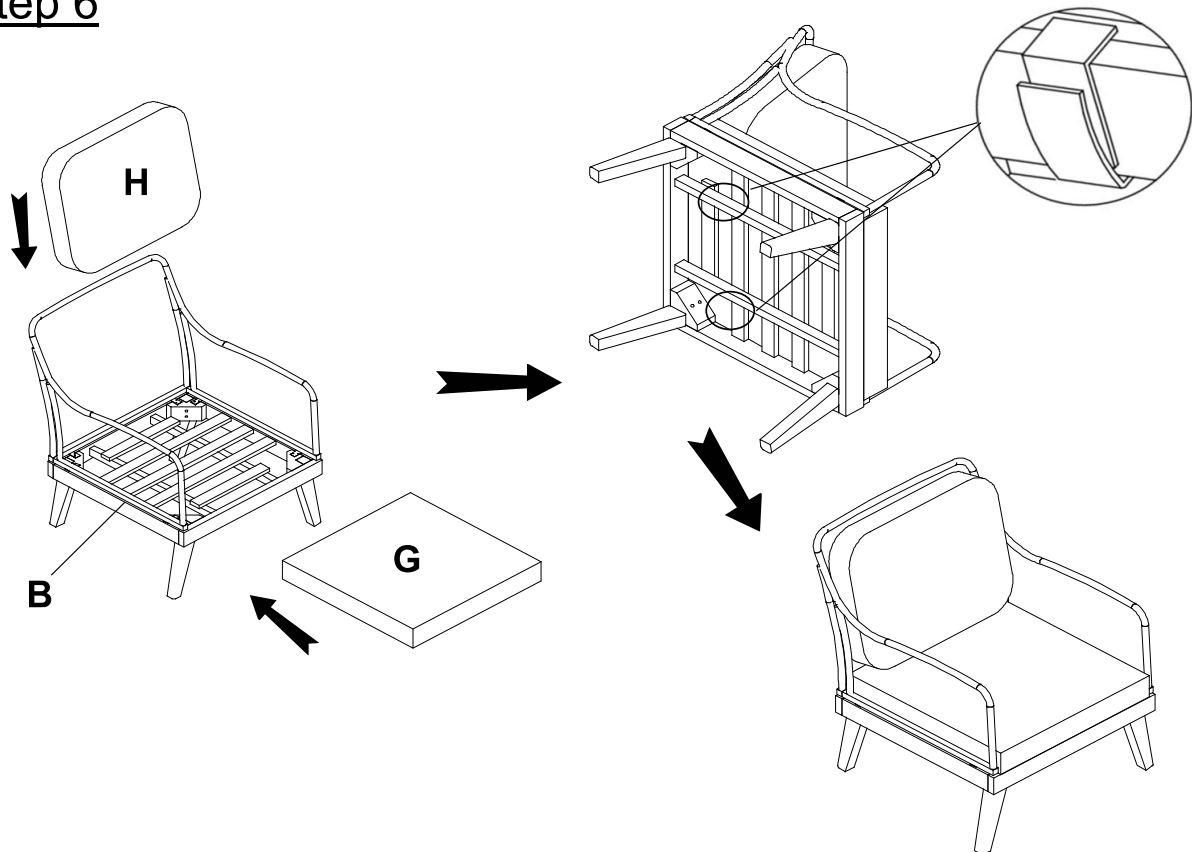
**DO NOT tighten any Bolt or Screw fully and then move on towards the next one.**

**If there are any wobbles after tightening, loosen the Bolts and Screws and execute this same process.**

Adjust the Levelers until the Chair is level with the ground.

**To adjust the Levelers, get assistance from an adult partner to lift/lean and hold the Chair while you are working.**

## Step 6























Place the Seat Cushion (G) and the Backrest Cushion (H) onto the Chair as shown above.

Tie the magic tape straps of Seat Cushion (G) to the slats of Seat Panel (B). Your Chair is ready for use.

**This Chair can only be used on a flat, level surface.**

## Care & Maintenance

-   ● Do not put hot items directly on furniture surface
  -   ● Do not clean furniture with harsh cleansers or polish.
  -   ● To obtain the longest lifespan of your outdoor products, minimizing exposure to direct sunlight is recommended.
  -   ● Children should not climb or jump on the furniture.
  -   ● Do not write on furniture without a padded barrier to protect the surface.
  -   ● To obtain the longest lifespan of your outdoor products, avoid extended and lengthy exposure to rain, snow, and direct sunshine. Whenever possible cover the product and /or place under patio or awnings.
  -   ● Not for commercial use. For residential use only .
  -   ● Stains may be removed with mild soap solution and damp cloth.
  -   ● Keep away from sources of ignition.
- 
-   ● Dust and pick-up spills using a clean, non-colored, lint-free cloth.