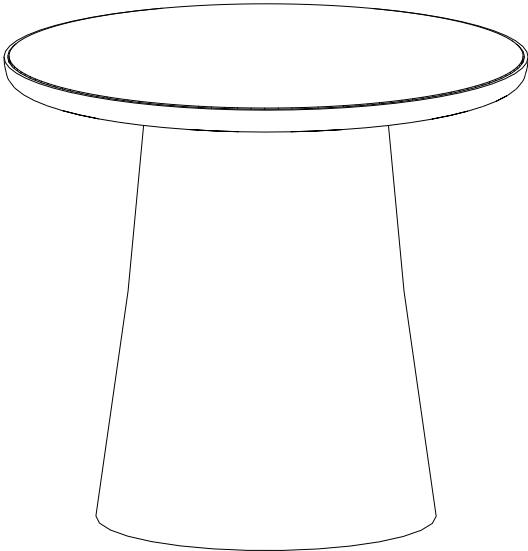



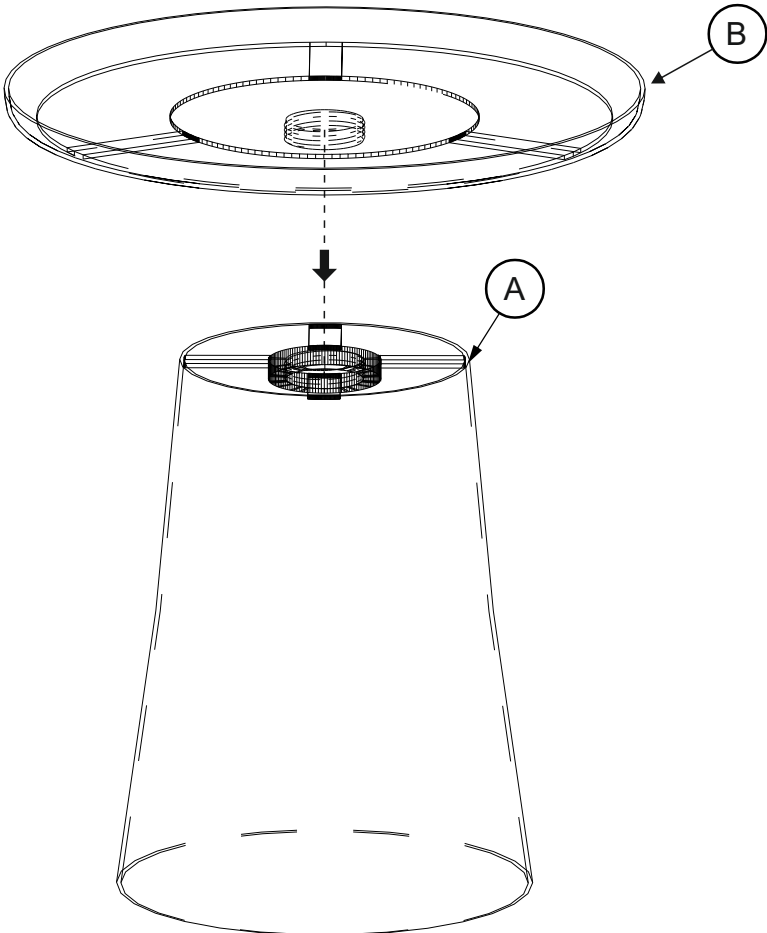


ASSEMBLY INSTRUCTION FOR

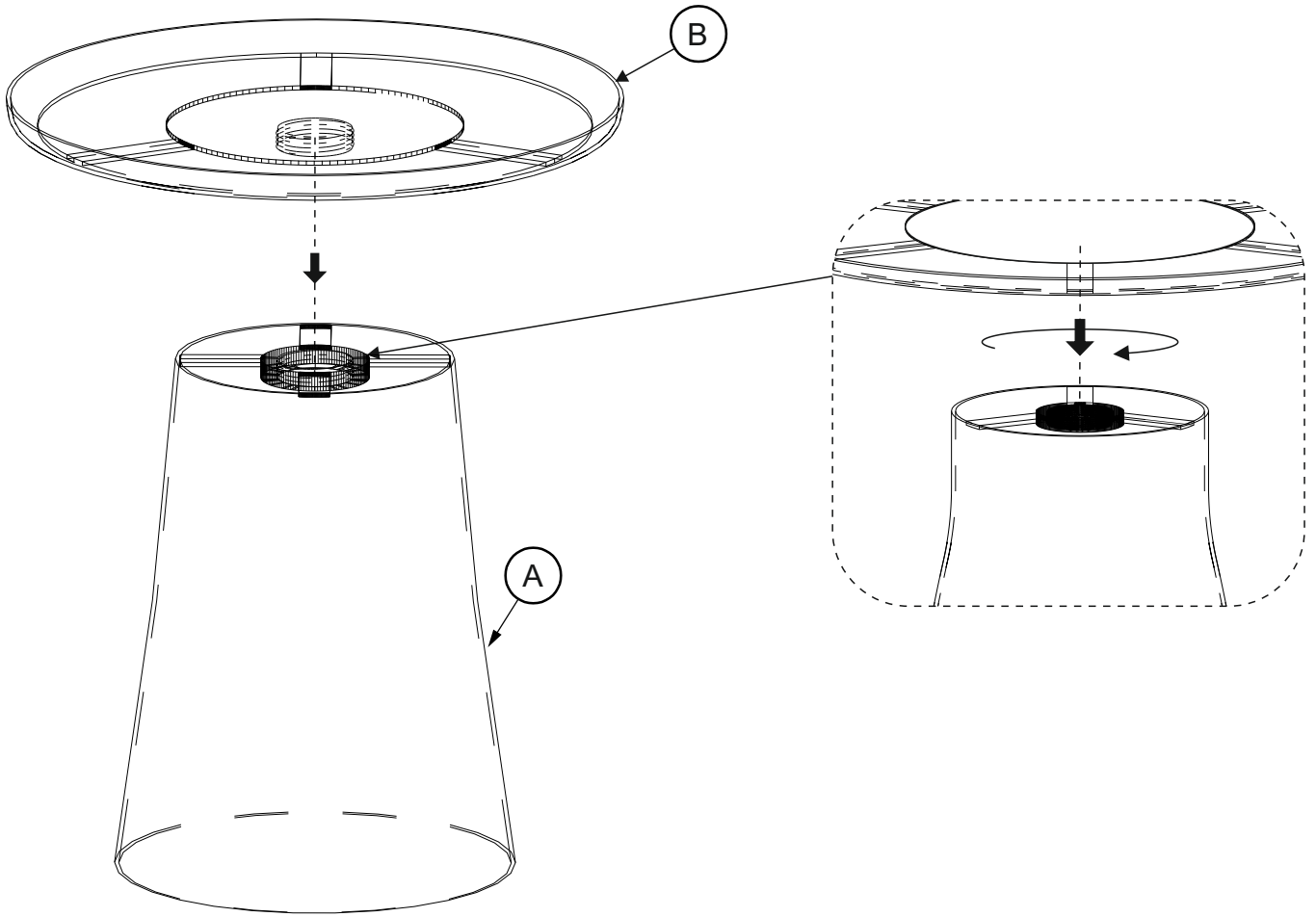
OUTDOOR END TABLE



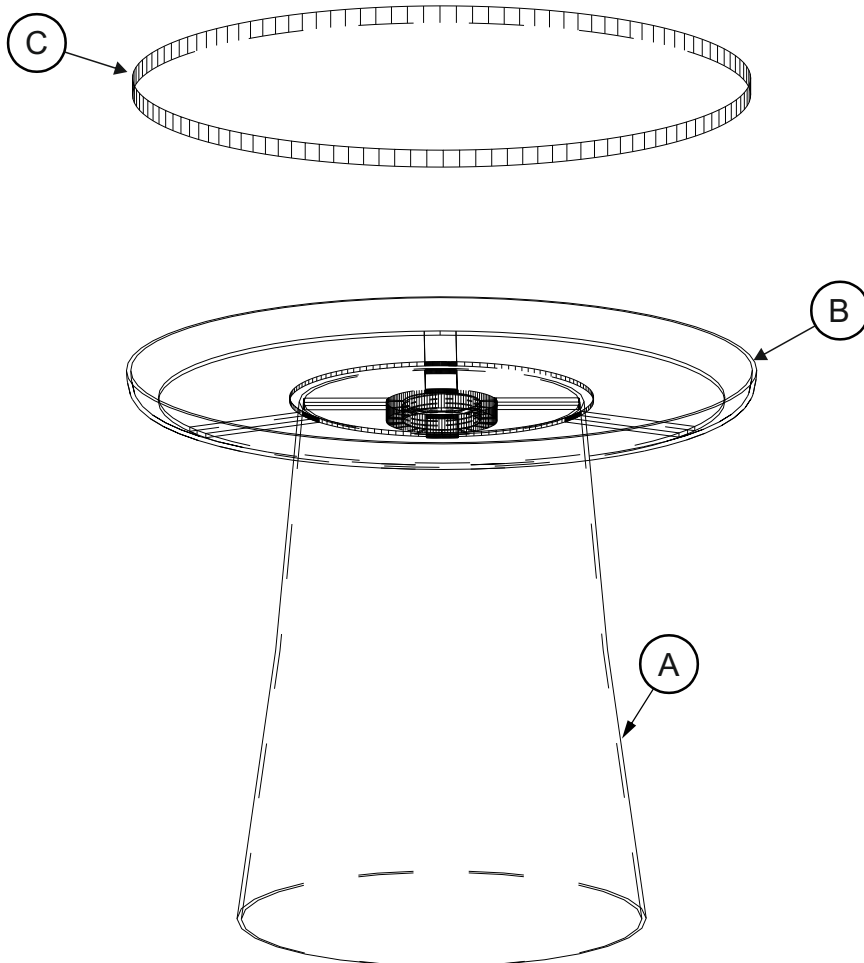
HARDWARE LIST				
A		BASE	Ø355.6 X 254 X 488.95 mm	1
B		METAL TOP	Ø571.5 X 30 mm	1
C		MARBLE TOP	Ø558.8 X 18 mm	1



Step 1



Step 2



Step 3

