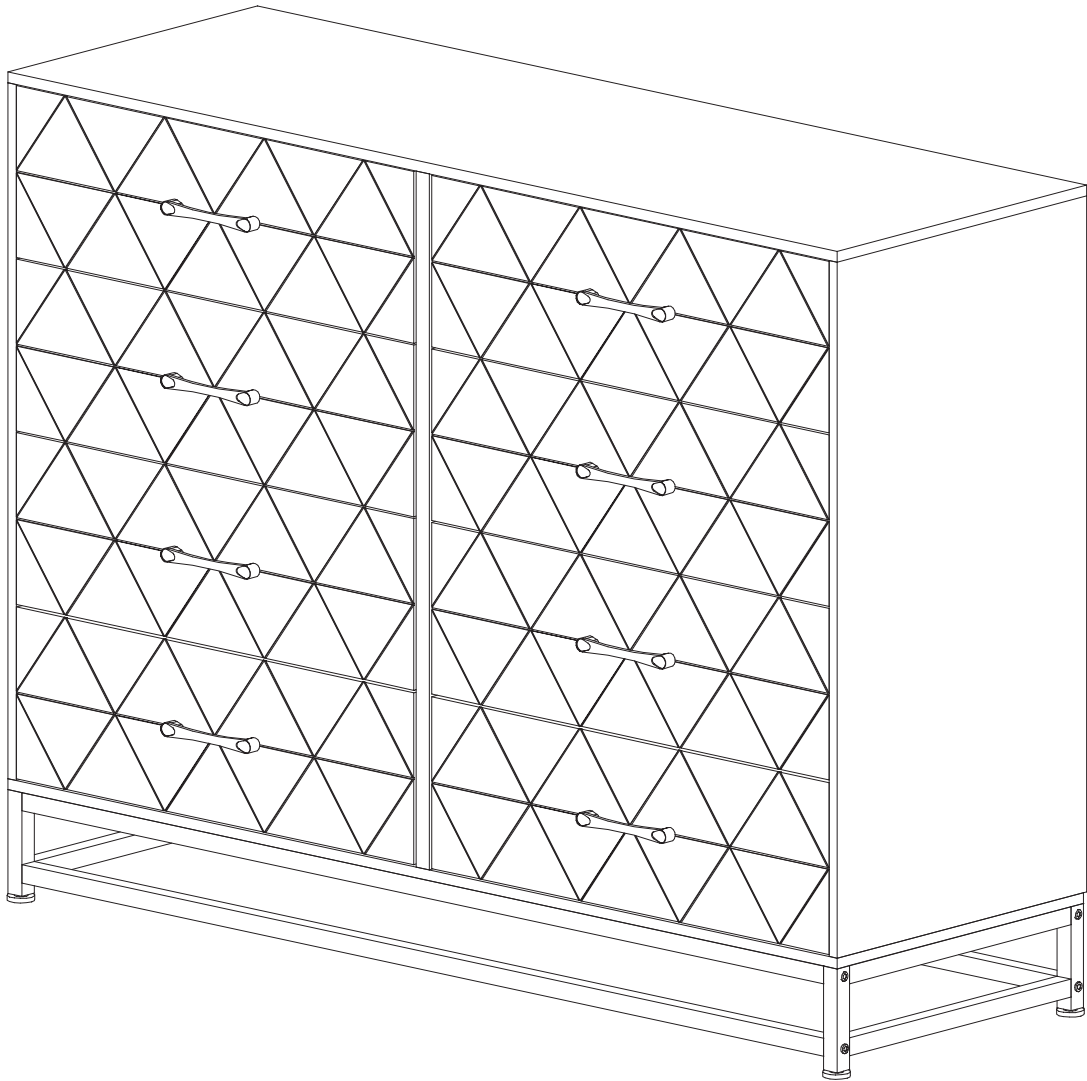






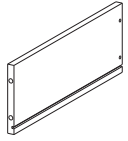
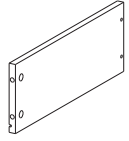
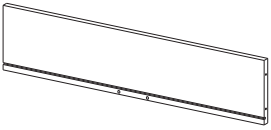

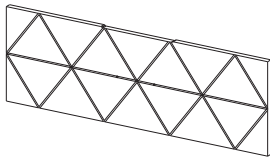
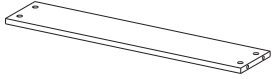
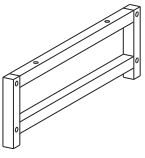


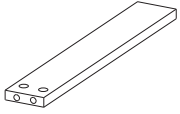



INSTALLATION INSTRUCTION



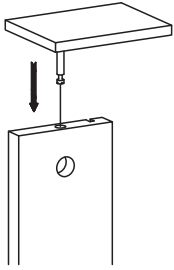
BOARD IDENTIFICATION

				
Ax1	Bx1	Cx1	Dx1	Ex1
				
Fx2	Gx8	Hx8	Ix8	Jx8
				
Kx8	Lx2	Mx2	Nx4	Ox2
				
Px8	Qx2			

BOARD IDENTIFICATION

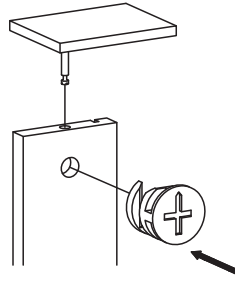
Installation of Eccentric Wheel Nut Set

1



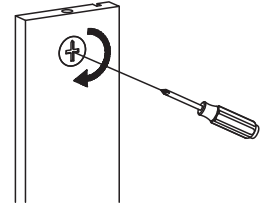
Screw the end of cambolt on the board, find the corresponding board and insert the other end.

2

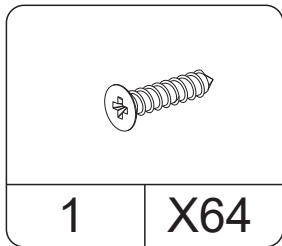


Stuff the camlock into the round hole. The arrowpoints to the cambolt.

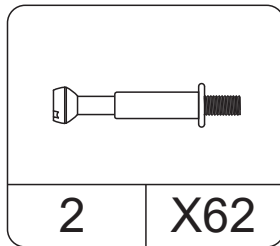
3



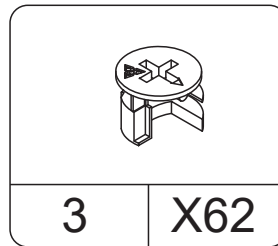
Turn clockwise about 180° to lock the plate.



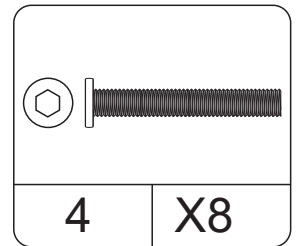
Screws
M4X10



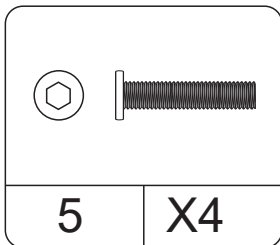
Cam bolt
Ø6X18



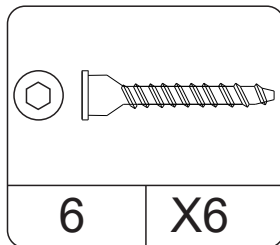
Cam lock
Ø 12X10



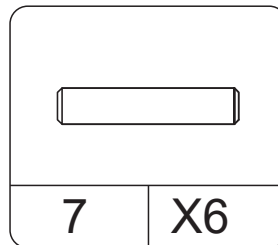
Screws
M6x35



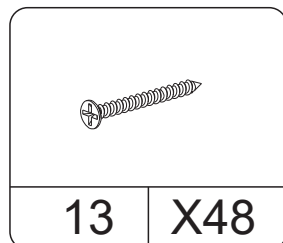
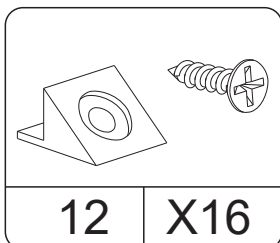
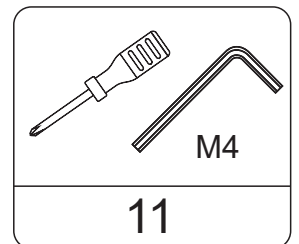
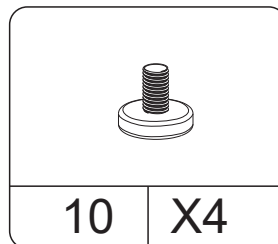
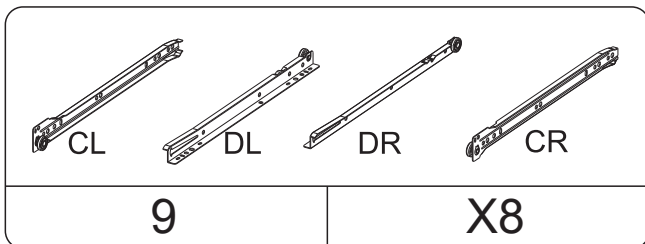
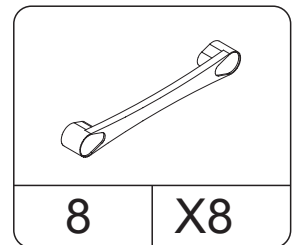
Screws
M6x28



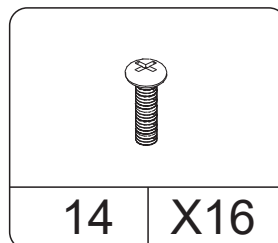
Screws
M6.3x50



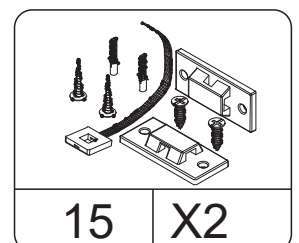
Wood dowel
Ø6X30



Screws
M4x30



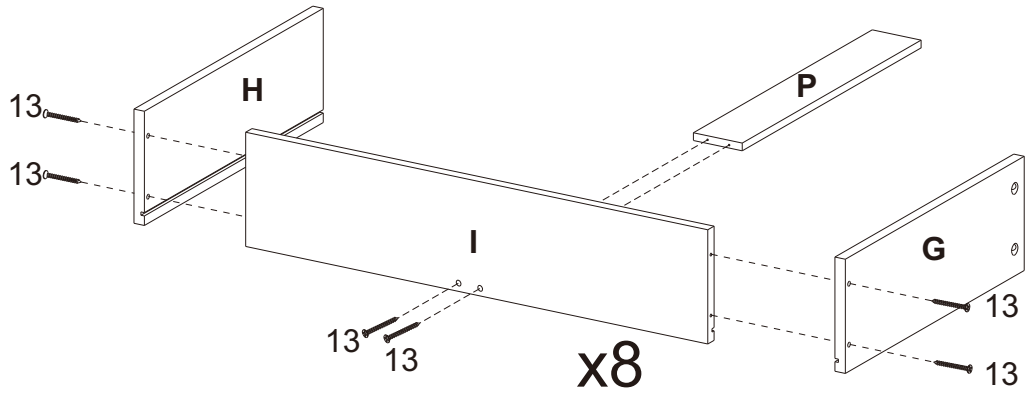
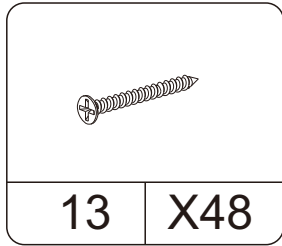
Screws
M4x15



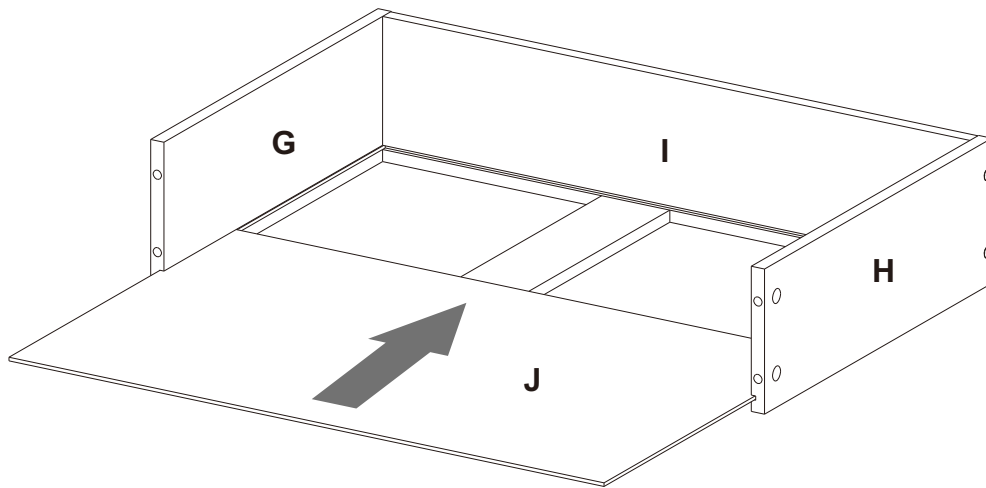
Anti-inverted parts

INSTALLATION STEPS

STEP1:



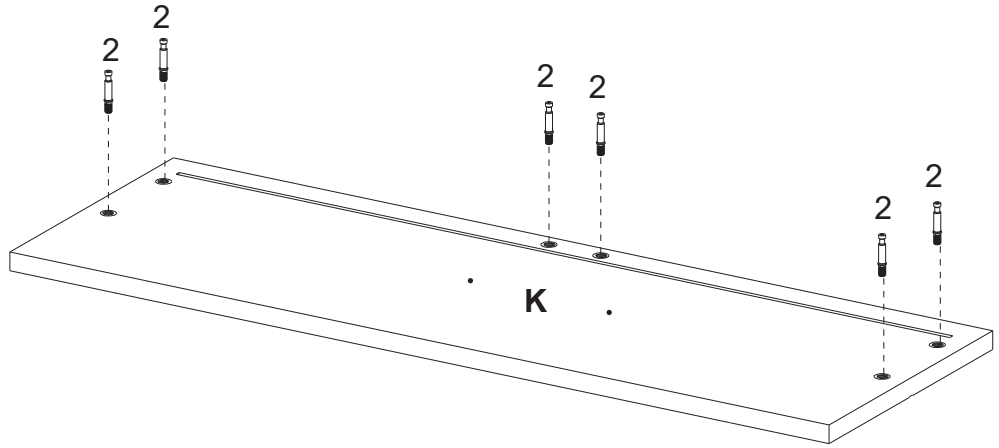
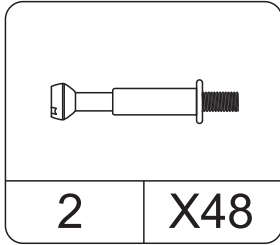
STEP2:



x8

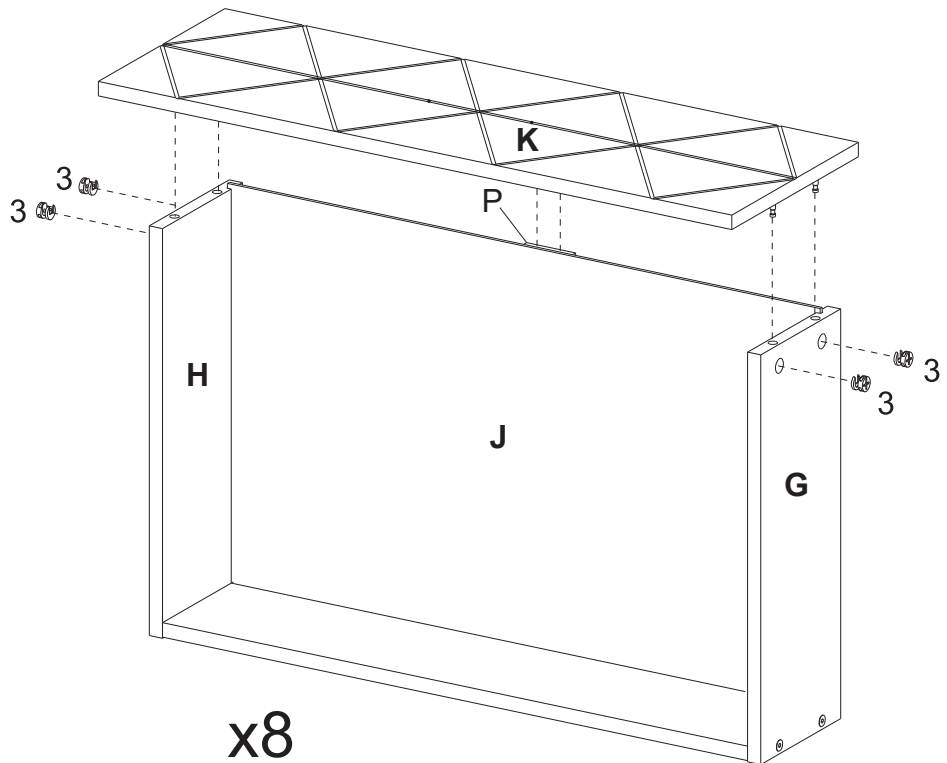
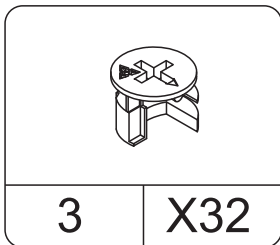
INSTALLATION STEPS

STEP3:



x8

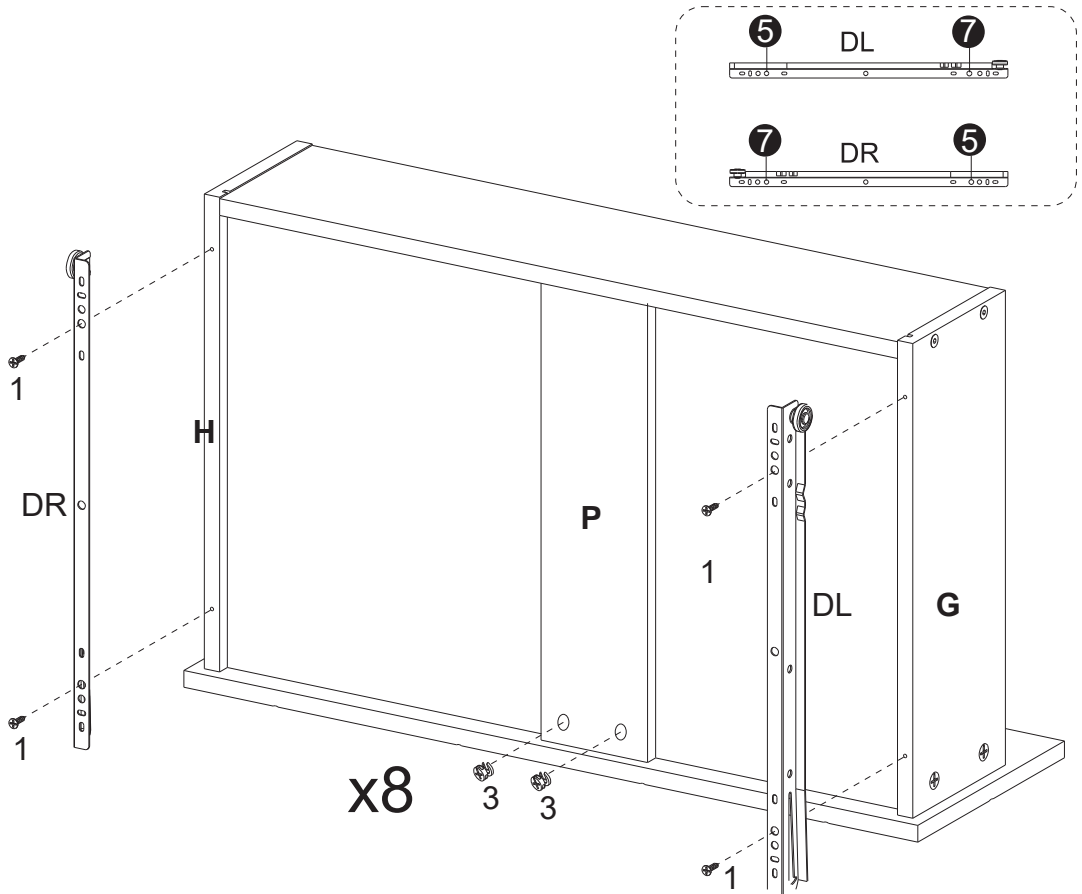
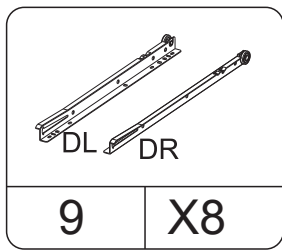
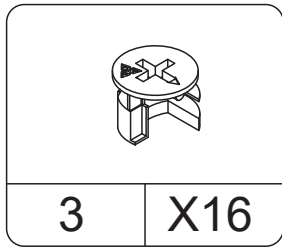
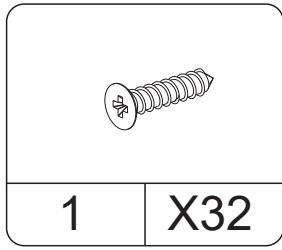
STEP4:



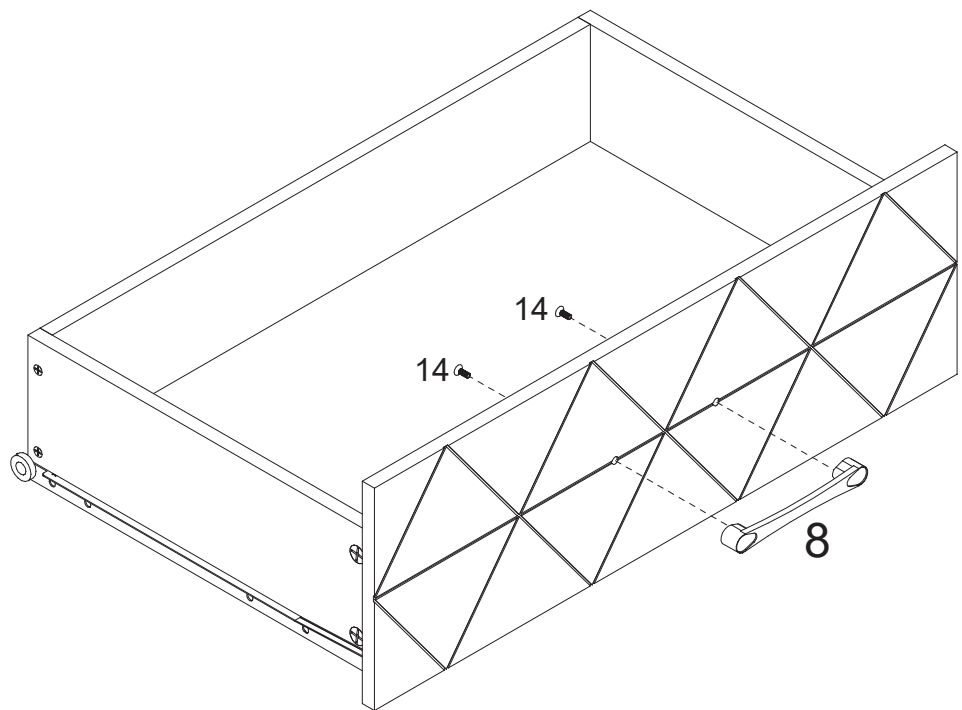
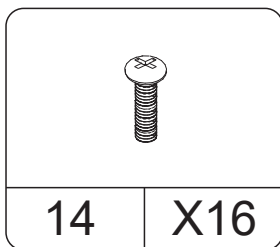
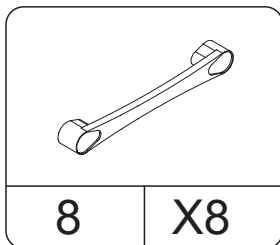
x8

INSTALLATION STEPS

STEP5:



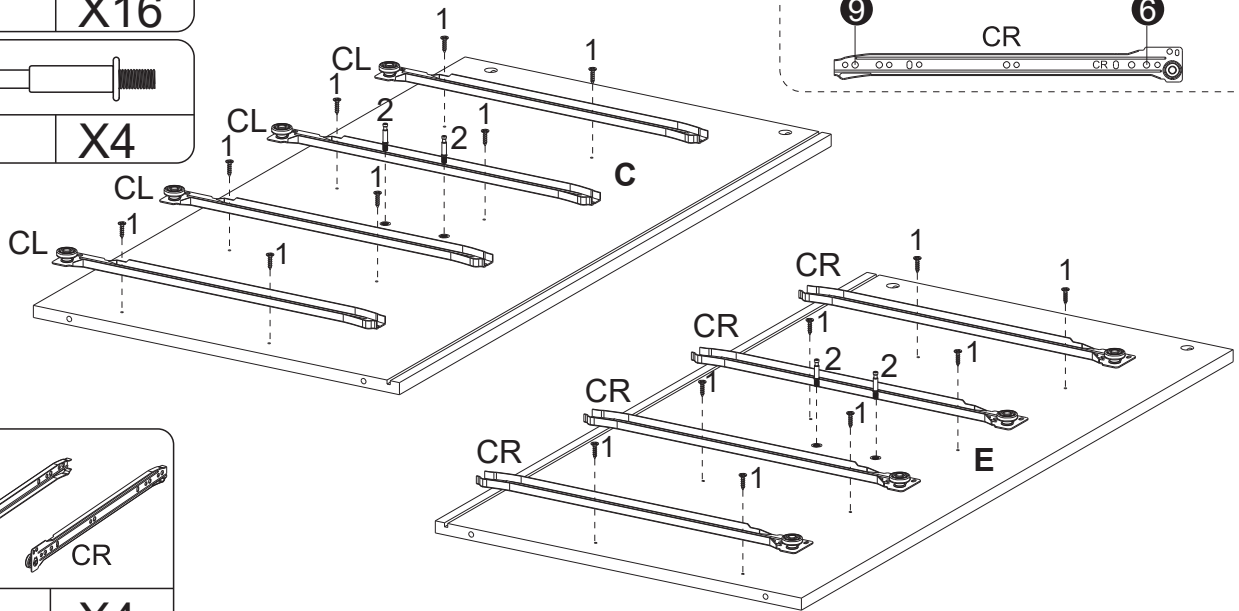
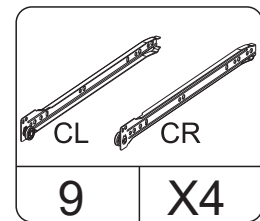
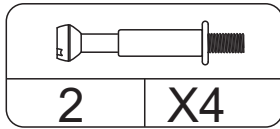
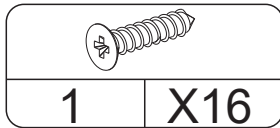
STEP6:



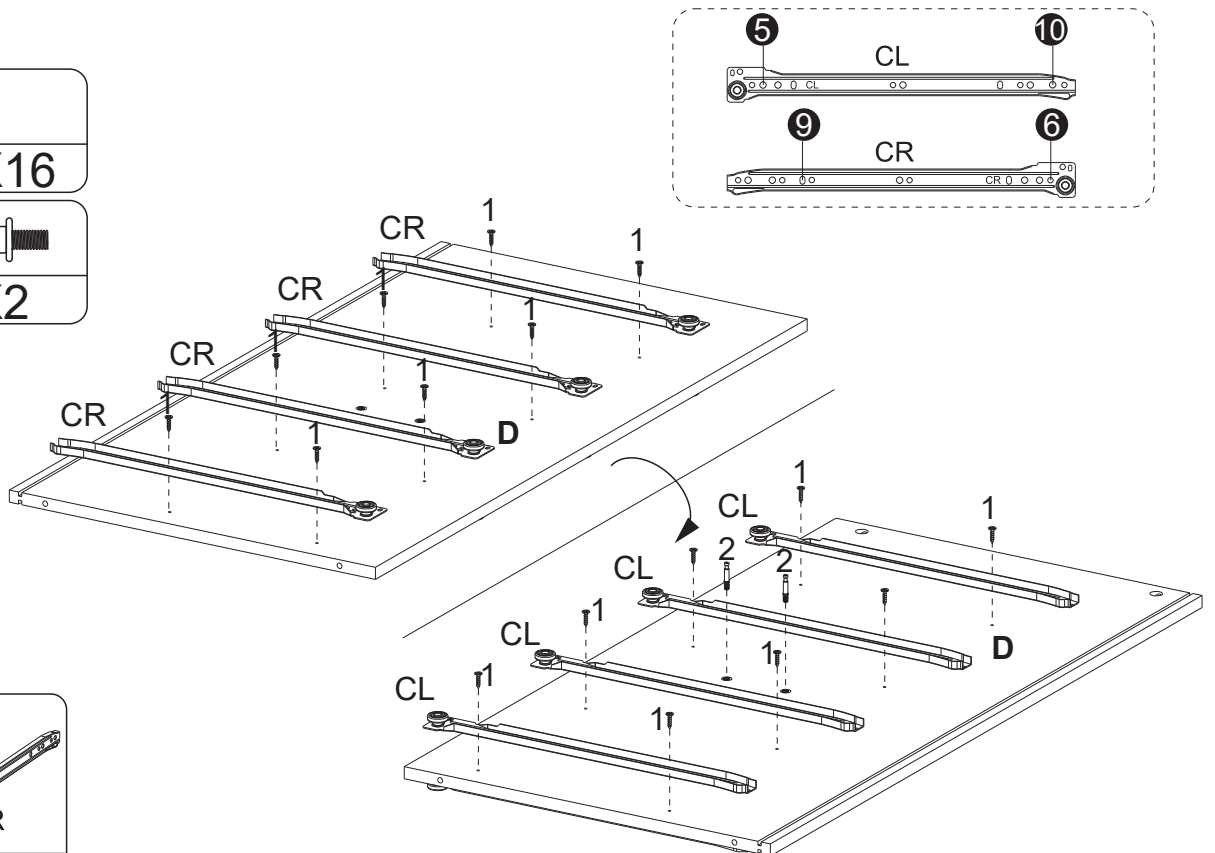
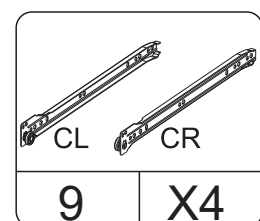
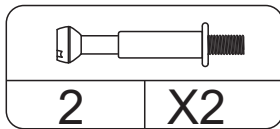
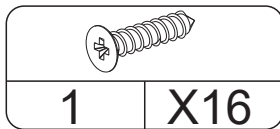
x8

INSTALLATION STEPS

STEP7:

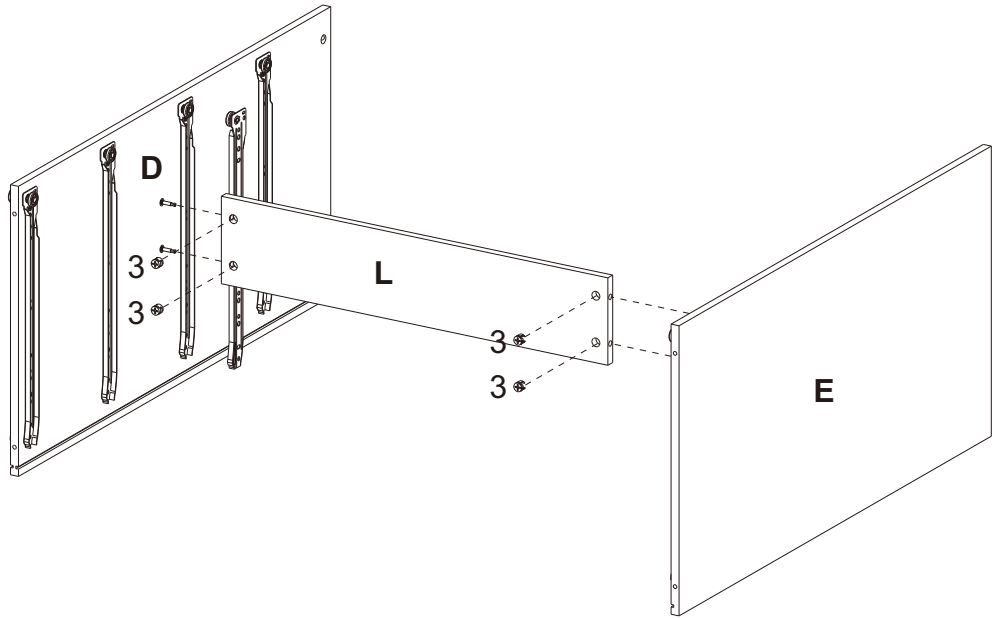
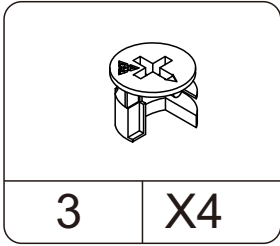


STEP8:

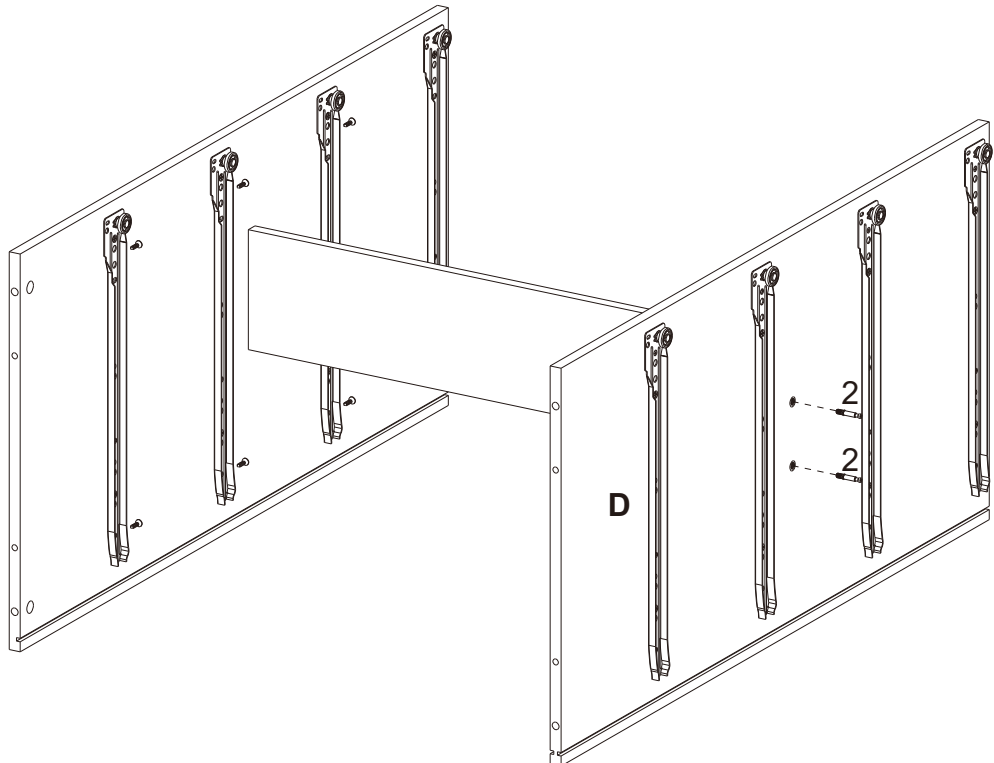
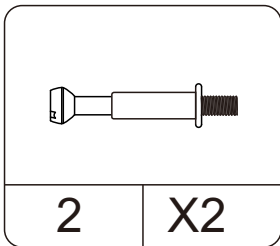


INSTALLATION STEPS

STEP9:

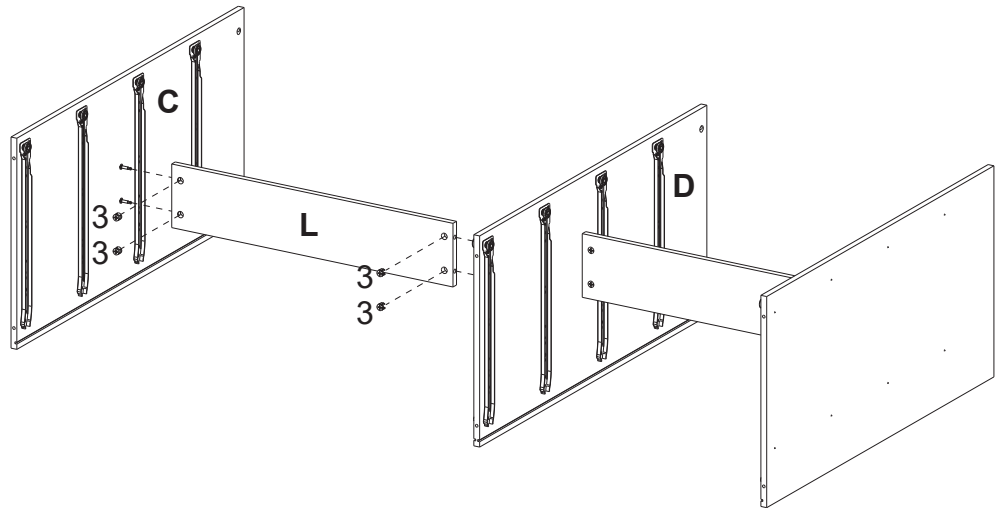
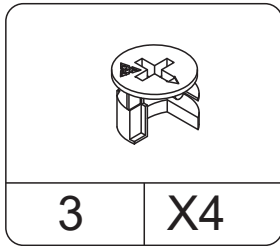


STEP10:

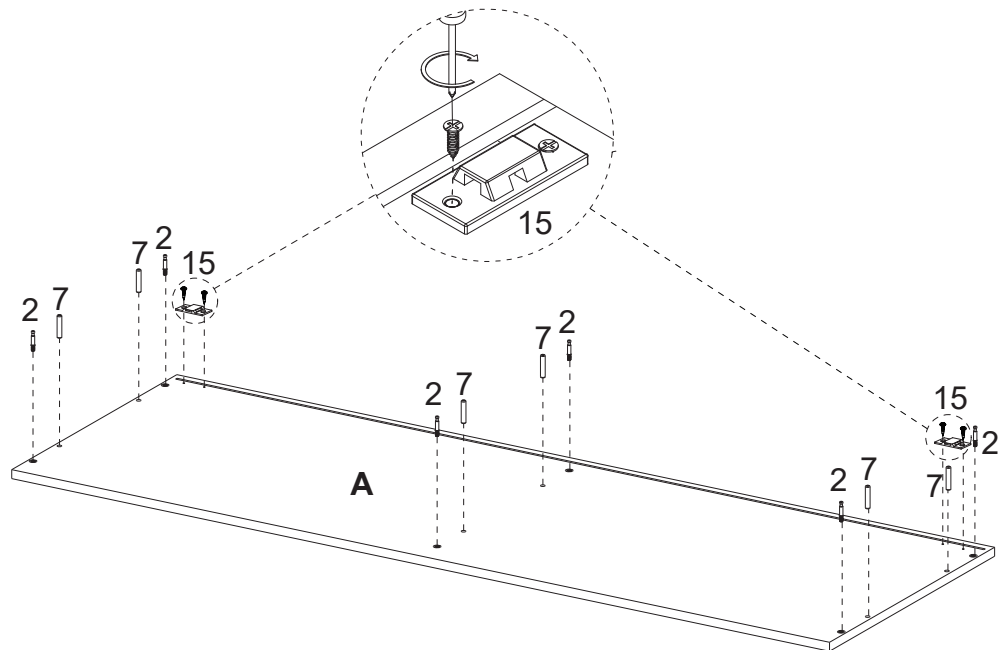
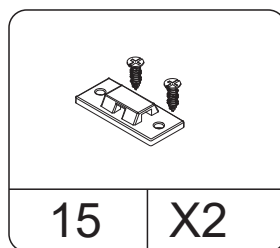
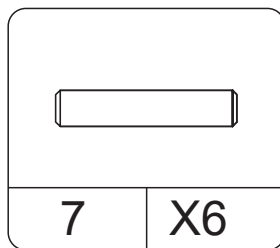
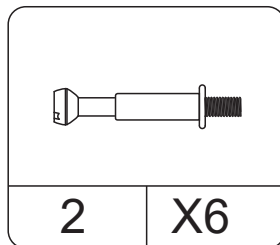


INSTALLATION STEPS

STEP11:

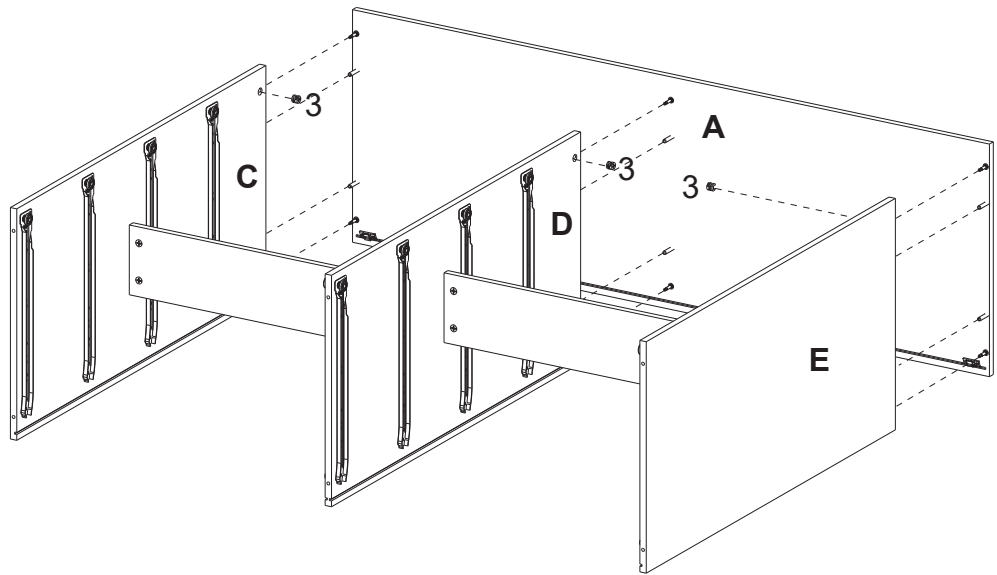
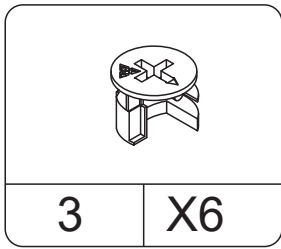


STEP12:

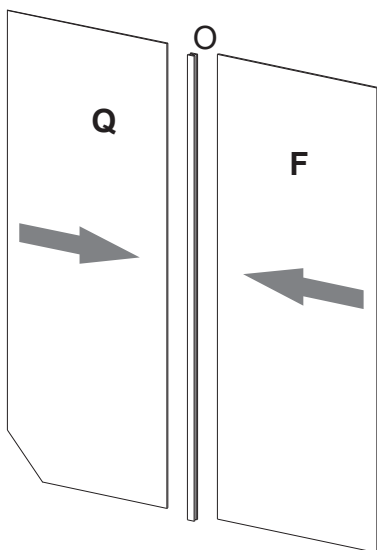


INSTALLATION STEPS

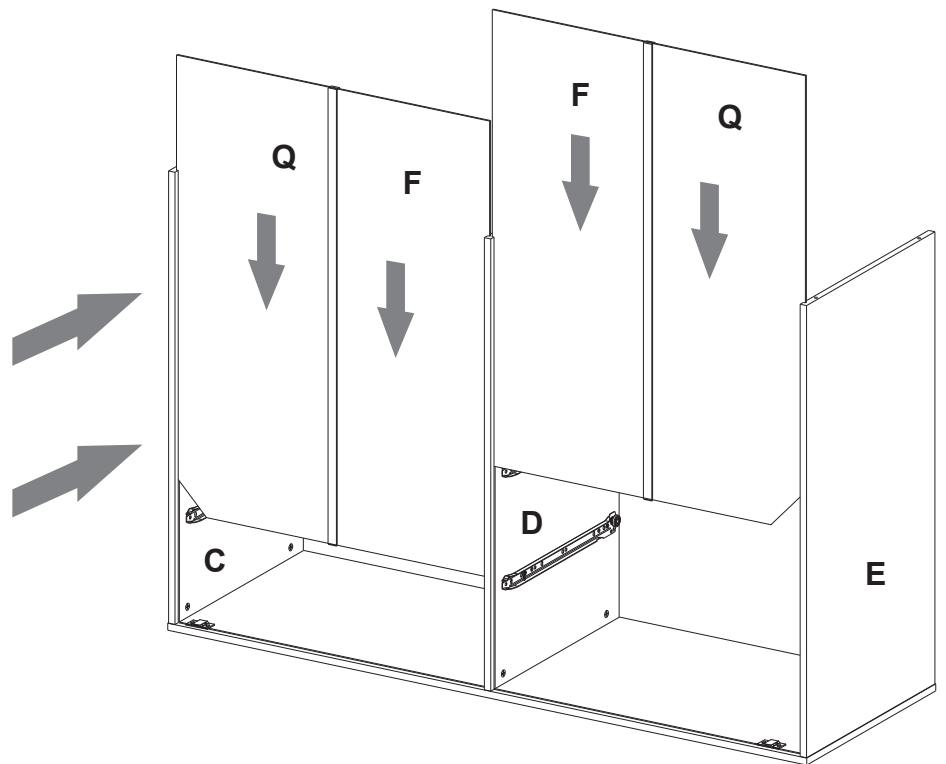
STEP13:



STEP14:

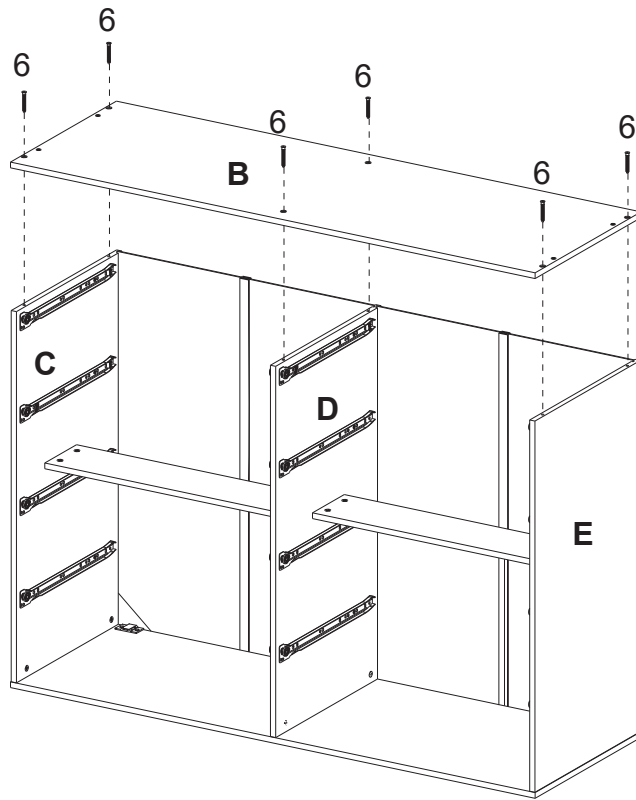
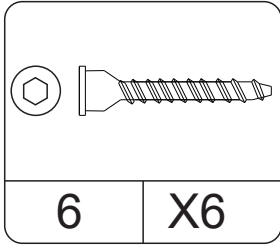


x2

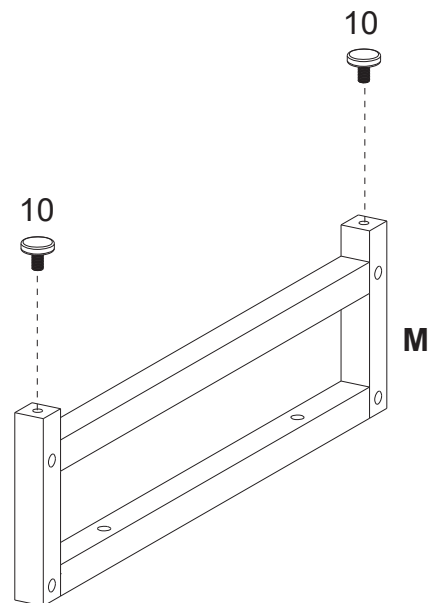
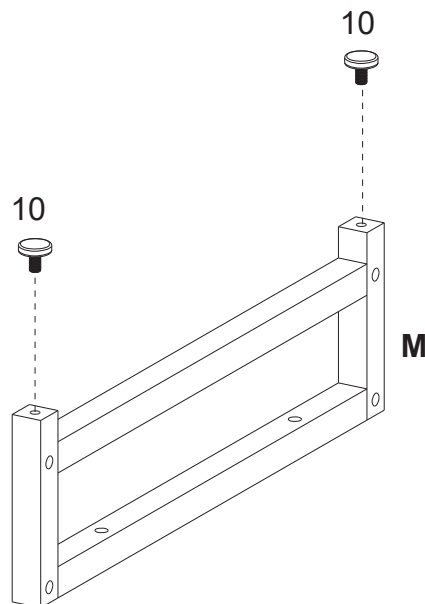
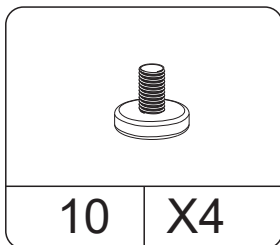


INSTALLATION STEPS

STEP 15:

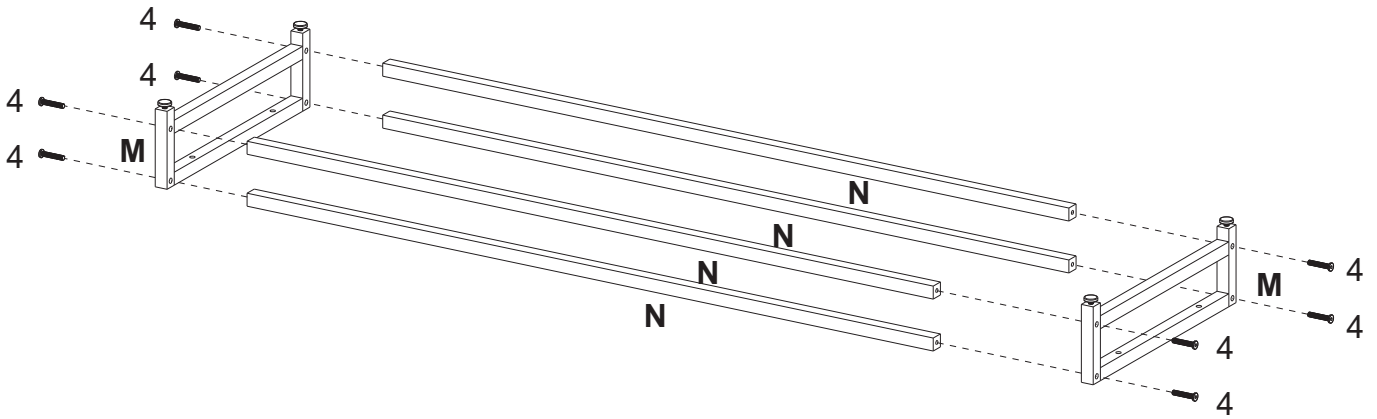
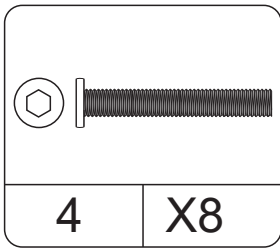


STEP 16:

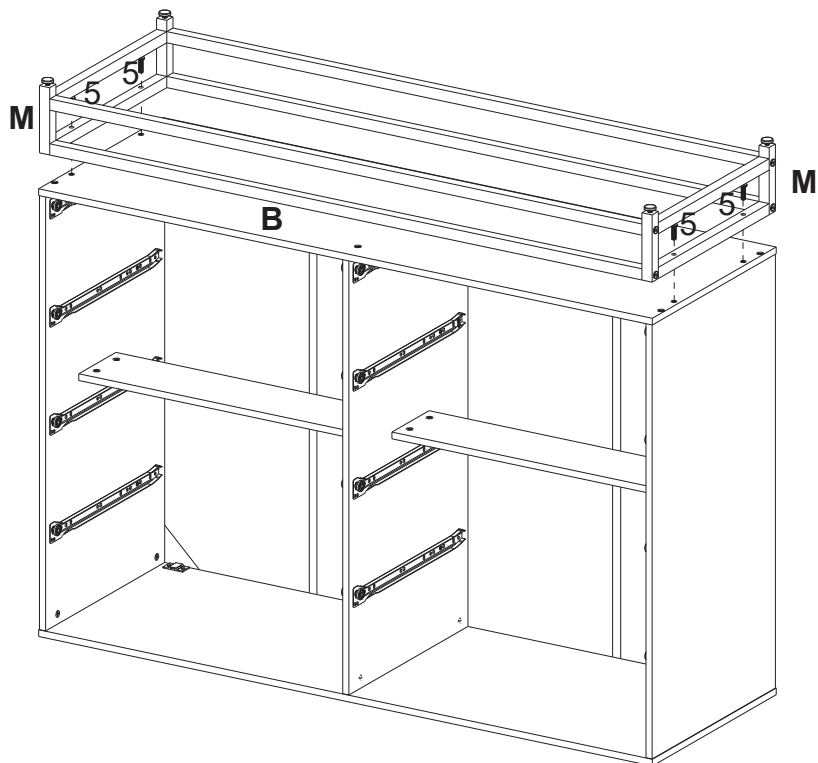
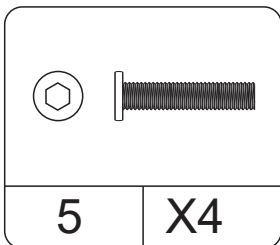


INSTALLATION STEPS

STEP17:

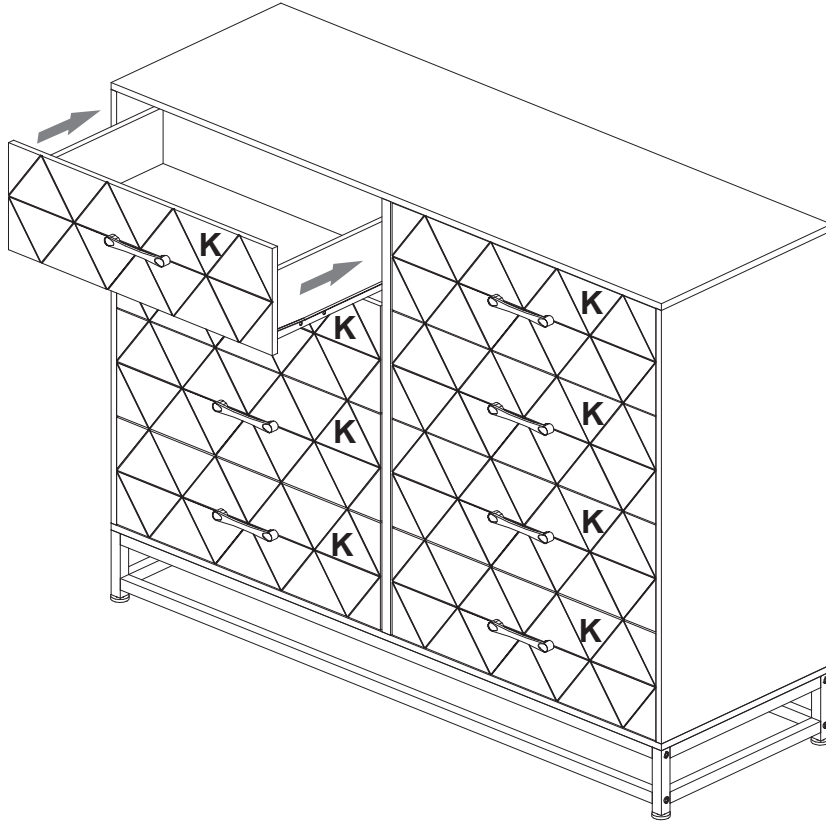


STEP18:

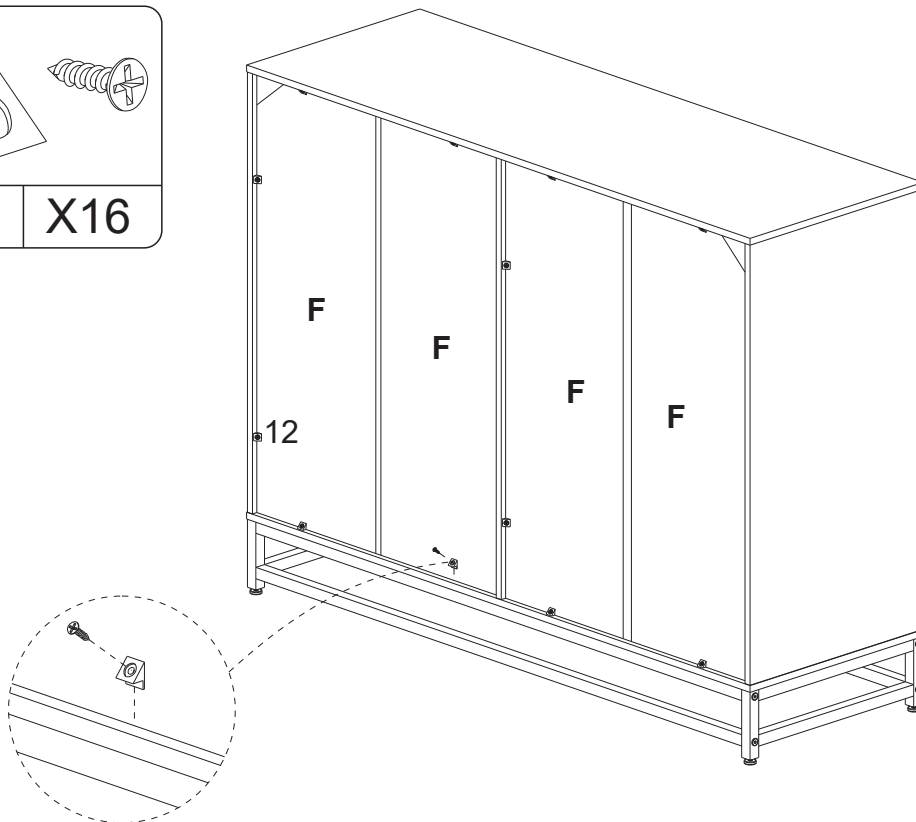
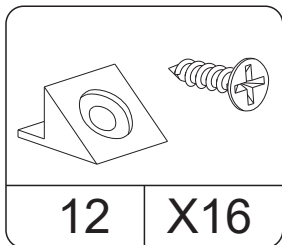


INSTALLATION STEPS

STEP19:

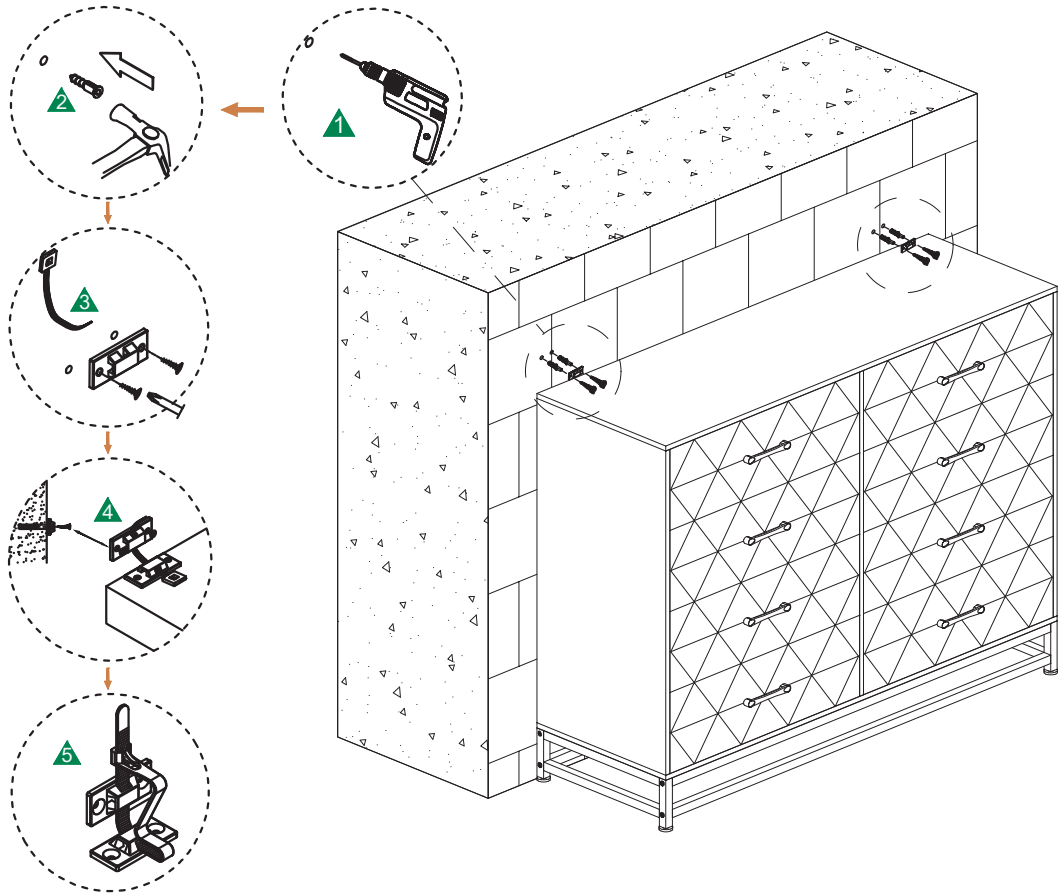
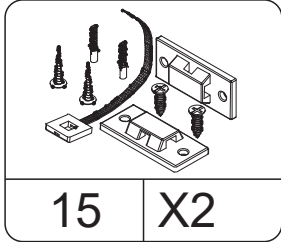


STEP20:



INSTALLATION STEPS

STEP21:



STEP22:

