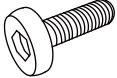
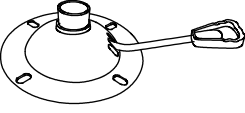
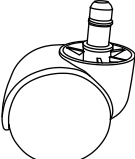
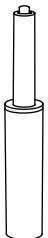
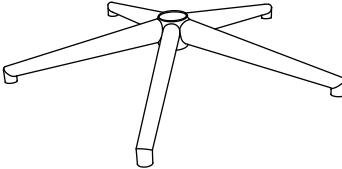
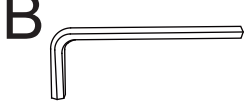


# ASSEMBLY INSTRUCTIONS

<b>A</b>  M6*20mm x4	<b>C</b>  x1	<b>D</b>  x5	<b>E</b>  x1	<b>F</b>  x1
<b>B</b>  M6 x1				

