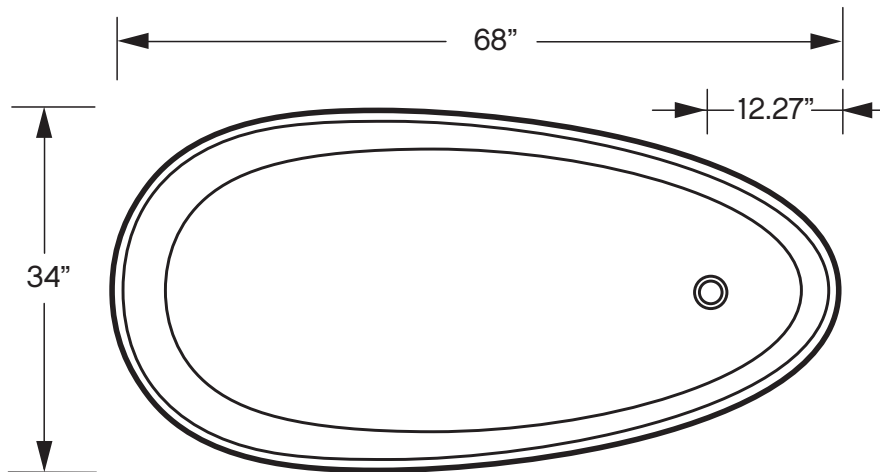
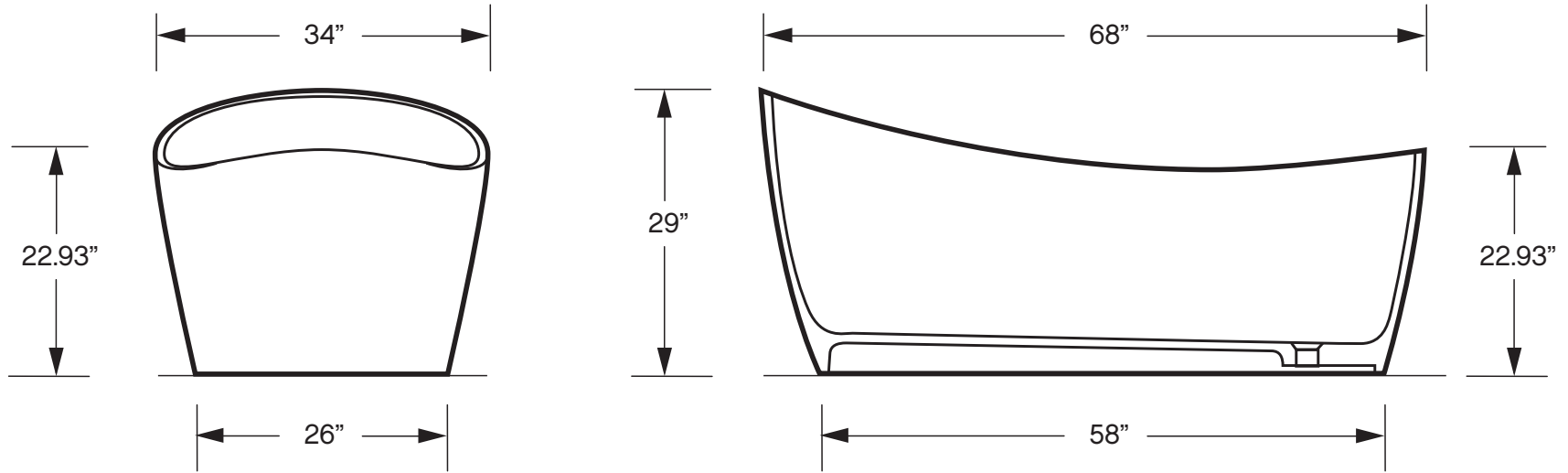


CLARKE

ARCHITECTURAL



DUNE II	
LENGTH	68"
WIDTH	34"
HEIGHT	29"
CAPACITY	N/A
DRAIN	Offset
MODEL #	CA6834FS-01