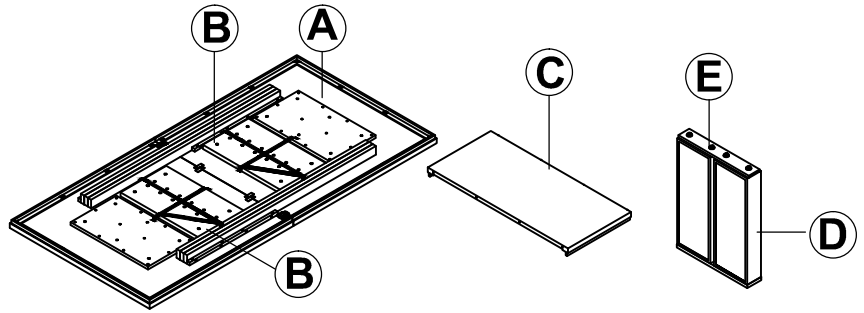


DINING TABLE ASSEMBLY INSTRUCTIONS

PARTS PACKING CONFIGURATIONS

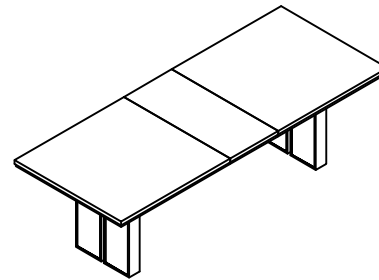
- A. TABLE TOP 1 PC
- B. TOP MOUNTING PLATE 2 PCS
- C. TABLE LEAF 1 PC
- D. BASE 2 PCS
- E. BASE SECUREMENT PLATE 2 PCS



HARDWARE ENCLOSED IN CARTON

No	Description	Photo	Quantity
1	ALLEN BOLT (5/16 x 3)		24PCS
2	ALLEN BOLT (5/16 x 2)		12PCS
3	LOCK WASHER (5/16)		36PCS
4	FLAT WASHER (5/16)		36PCS
5	ALLEN KEY		1PC
6	LEVELER		8PCS

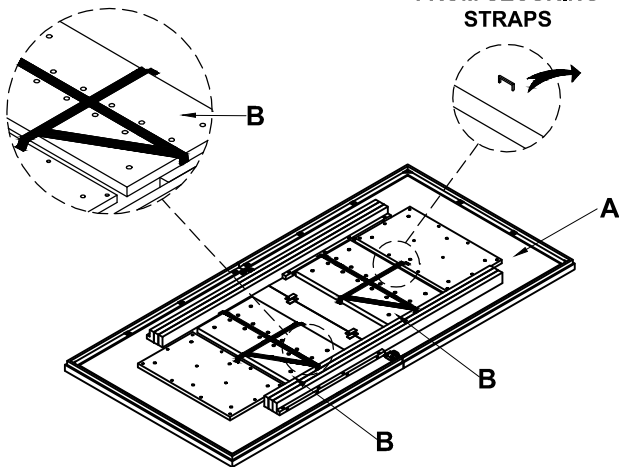
TABLE FULLY ASSEMBLED



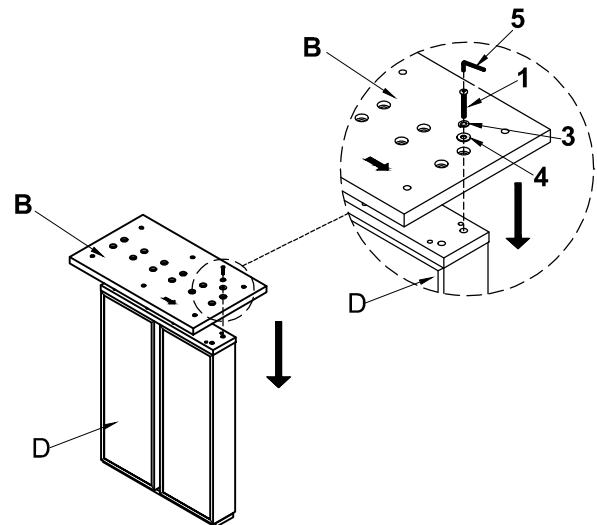
STEP 1:

REMOVE SECURING STRAPS

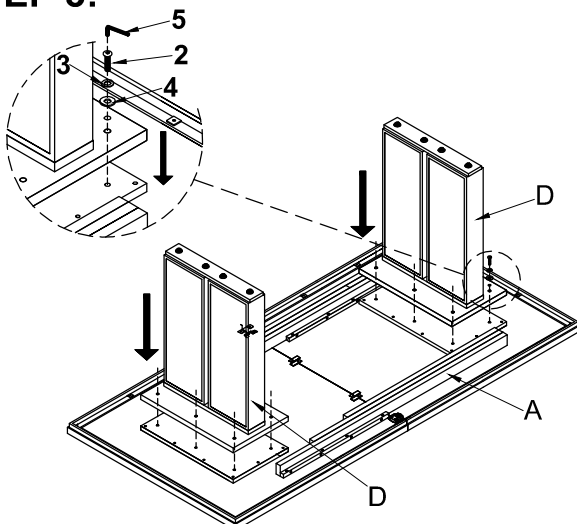
REMOVE NAIL/STAPLE FROM SECURING STRAPS



STEP 2:

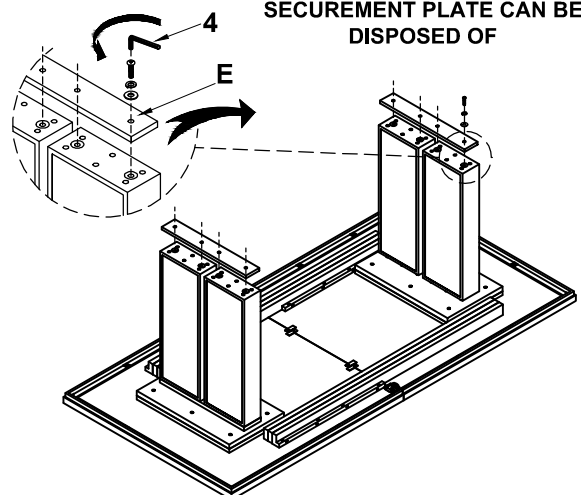


STEP 3:

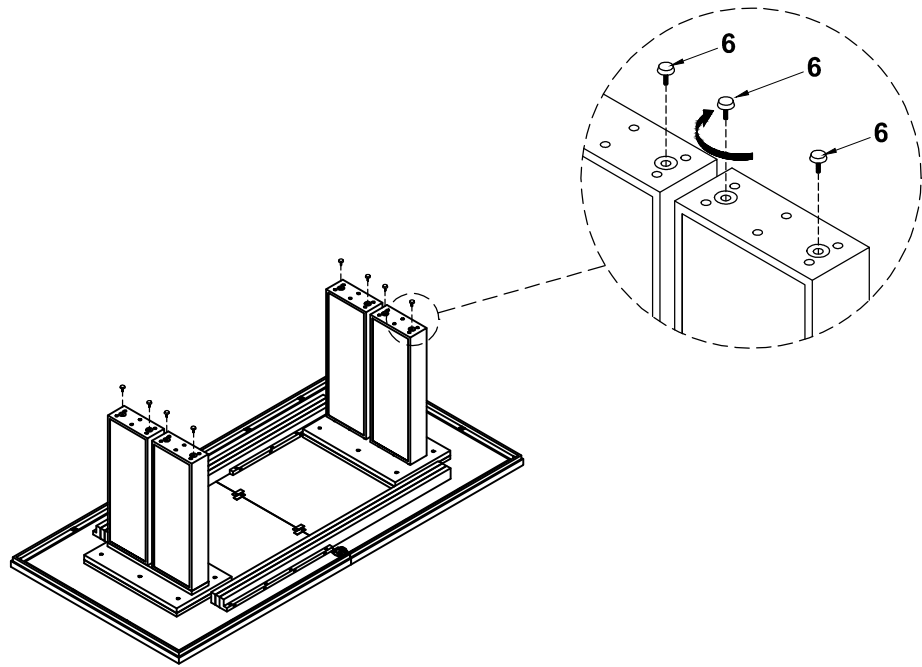


STEP 4:

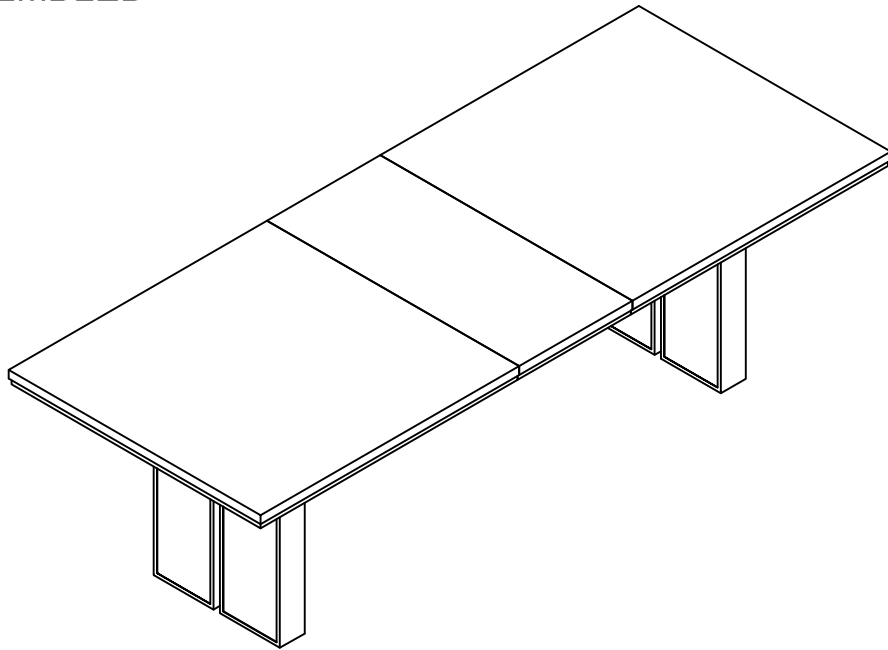
BOLTS REMOVED FROM BASE SECUREMENT PLATE CAN BE DISPOSED OF



STEP 5:



FULLY ASSEMBLED



TO REMOVE/INSTALL TABLE LEAF:

