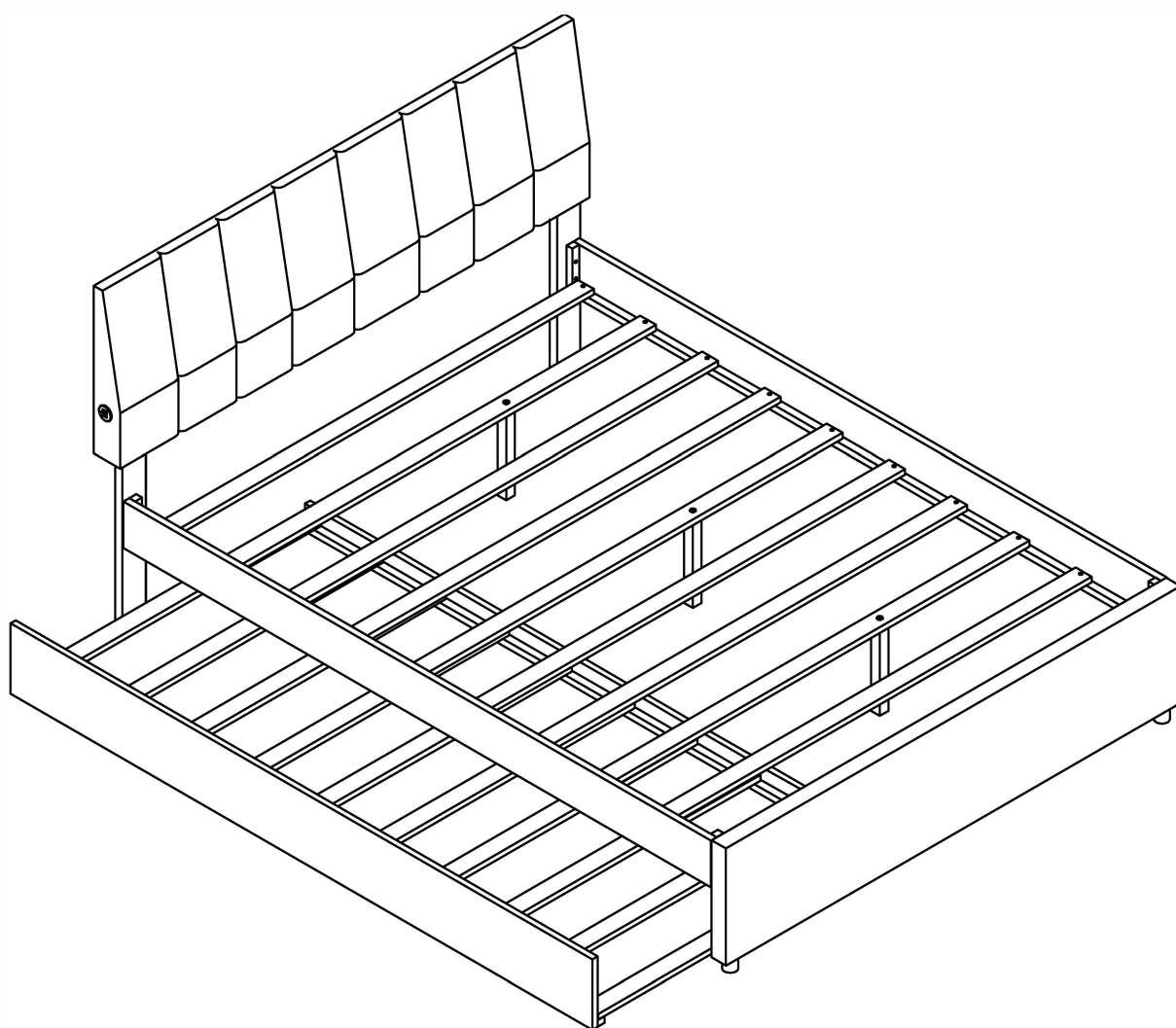
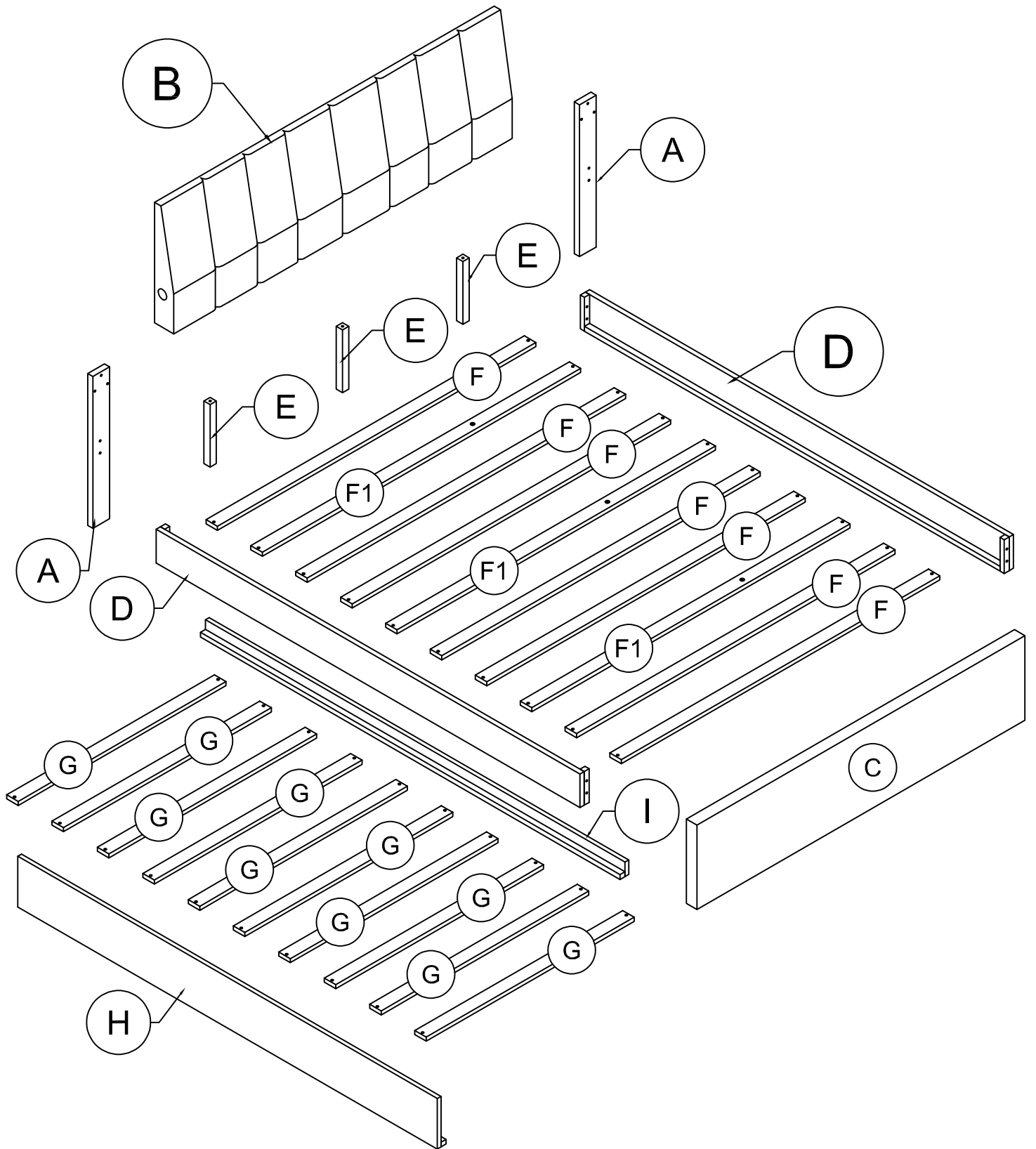


ASSEMBLY INSTRUCTION

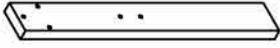


ASSEMBLY INSTRUCTION



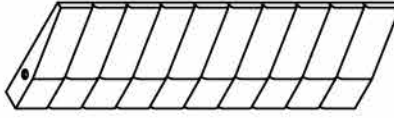
Part List

A



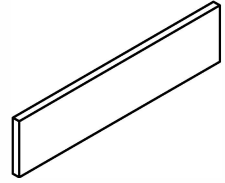
Leg (HB Font) - 2pcs

B



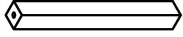
HB Frames - 1pcs

C



FB Frames - 1pcs

E



Support Leg - 3pcs

F



Slats - 7pcs

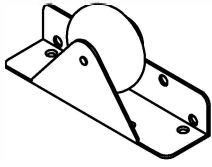
F1



Slats - 3pcs

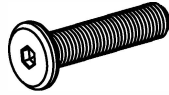
Hardware List

1



Wheels 4pcs

2



1/4" x 40mm
Hex-Head bolts 6pcs

3



Allen Key 1pcs

4



Plastic Feet(Ø50x40)
2pcs

5



Steel Bracket
3pcs

6



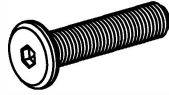
Plastic Drawer Stopper
4 pcs

7



M4 x 15 mm
Wood Screws 24pcs

8



1/4" x 30mm
Hex-Head bolts 3pcs

9



1/4" x 50mm
Hex-Head bolts 8pcs

10

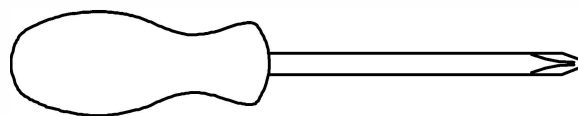


M4 x 30 mm
Wood Screws 40pcs

11



USB Power Socket 1pcs



Assembly Tools Required (Not Included)

Part List

D



Side Rails - 2pcs

G



Slats - 10pcs

H



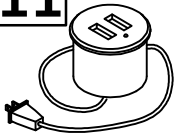
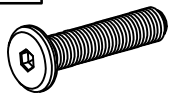
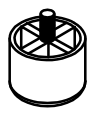
Font Trundle - 1pcs

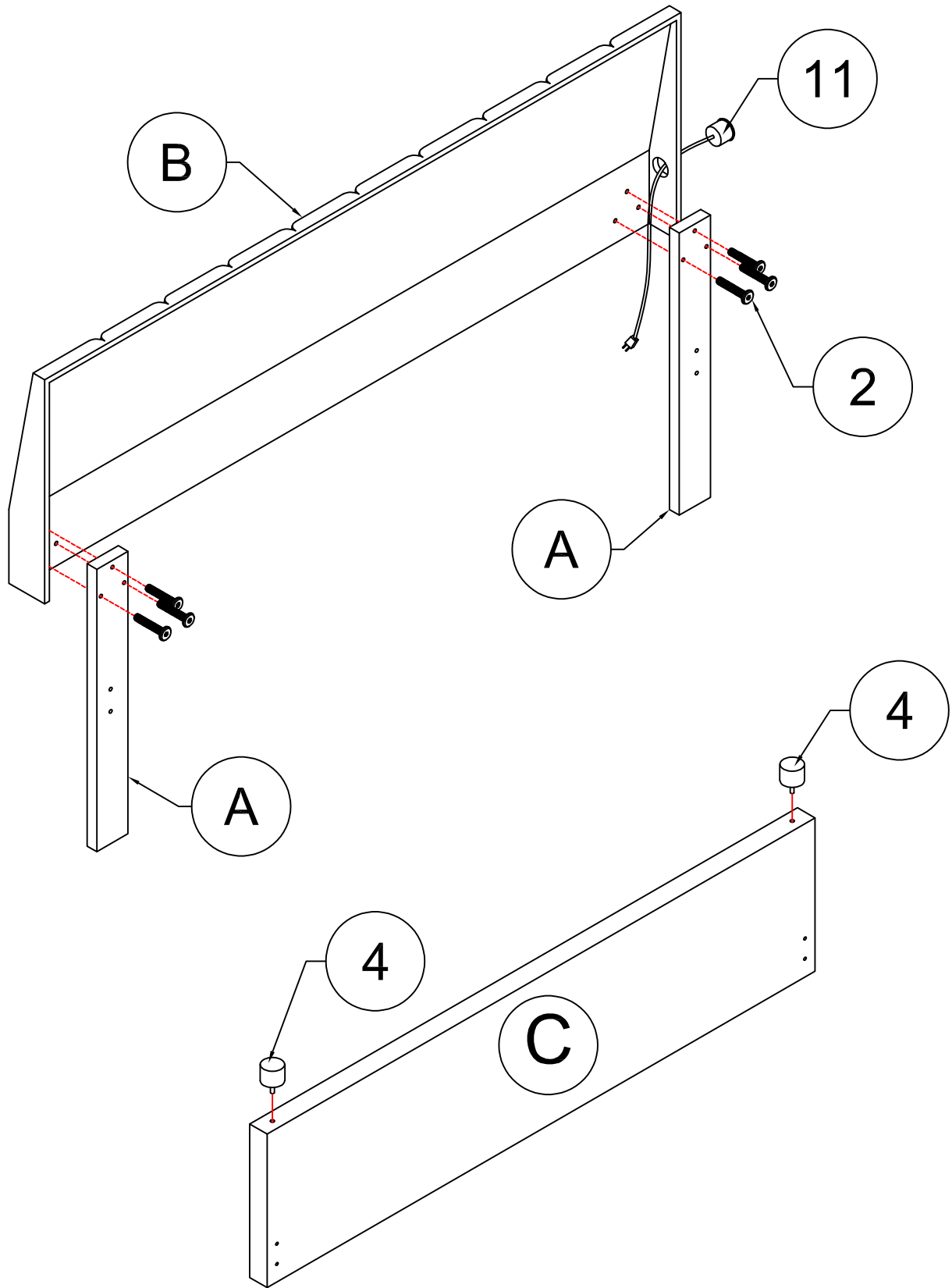
I





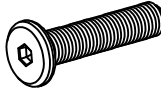
Back Trunlde - 1pcs

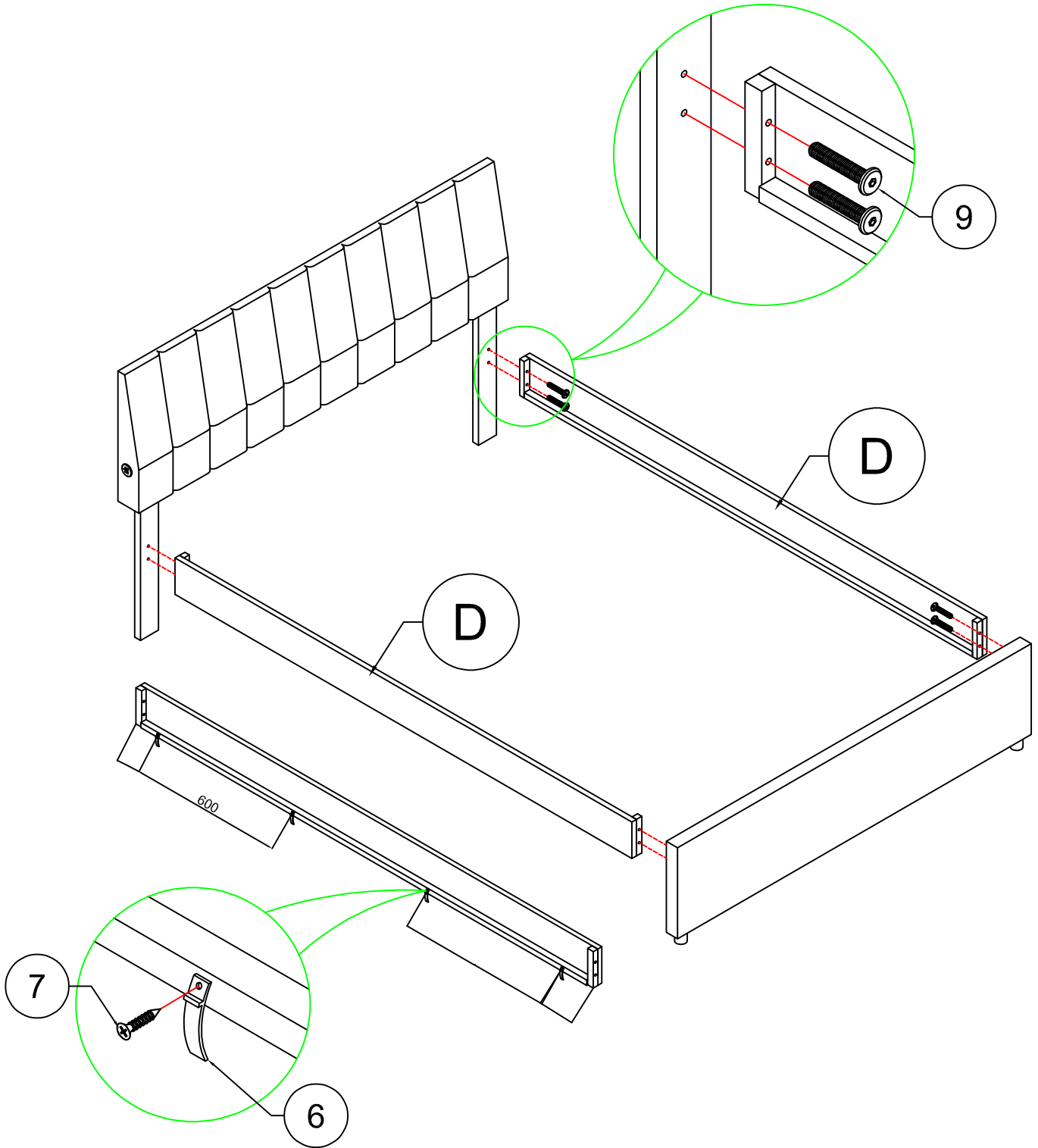
STEP 1: Following below illustration:

11 	2 	4 
1pcs	6pcs	2pcs

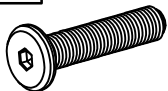



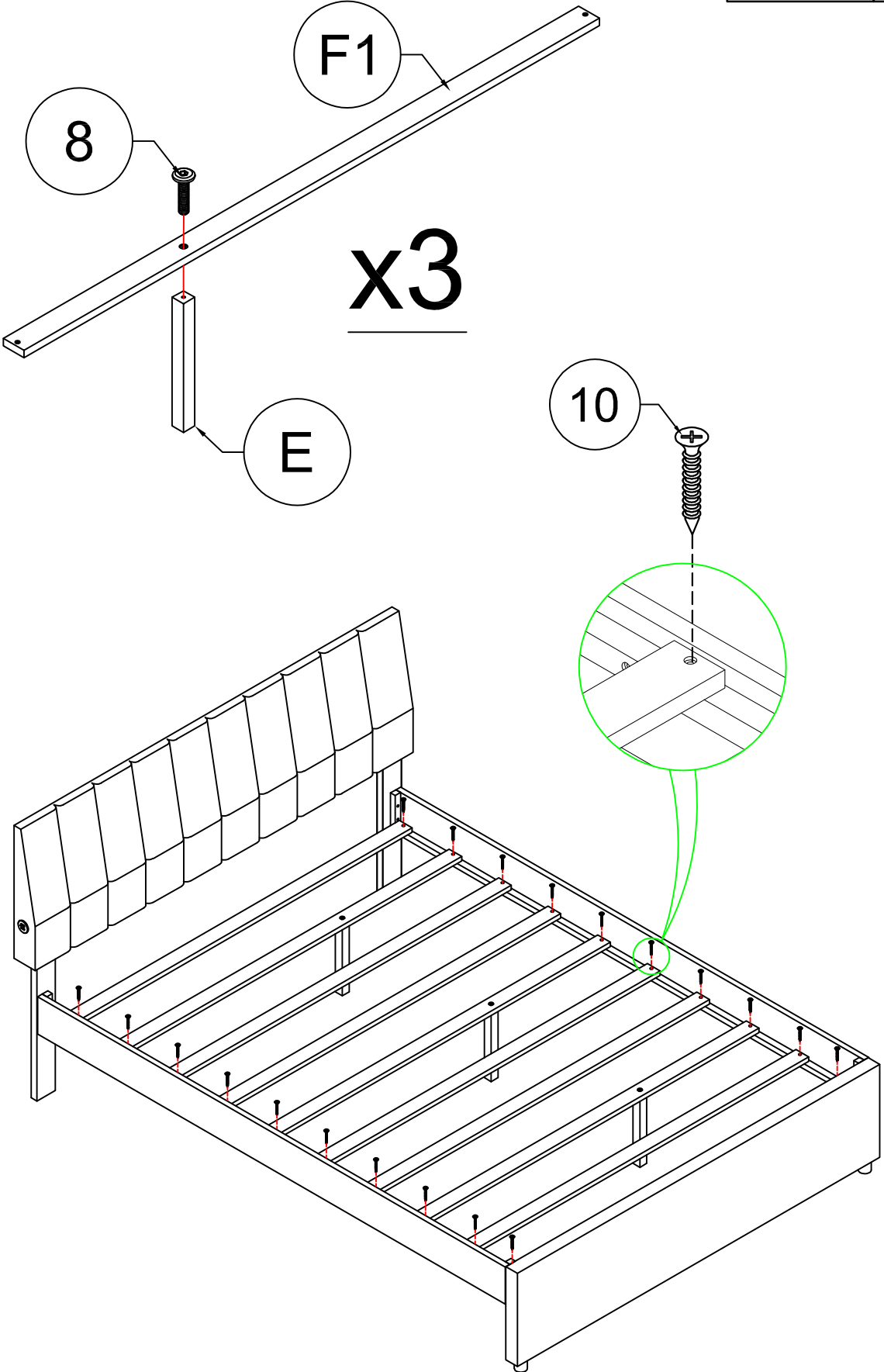
STEP 2: Following below illustration:

6		7		9	
4pcs		4pcs		8pcs	

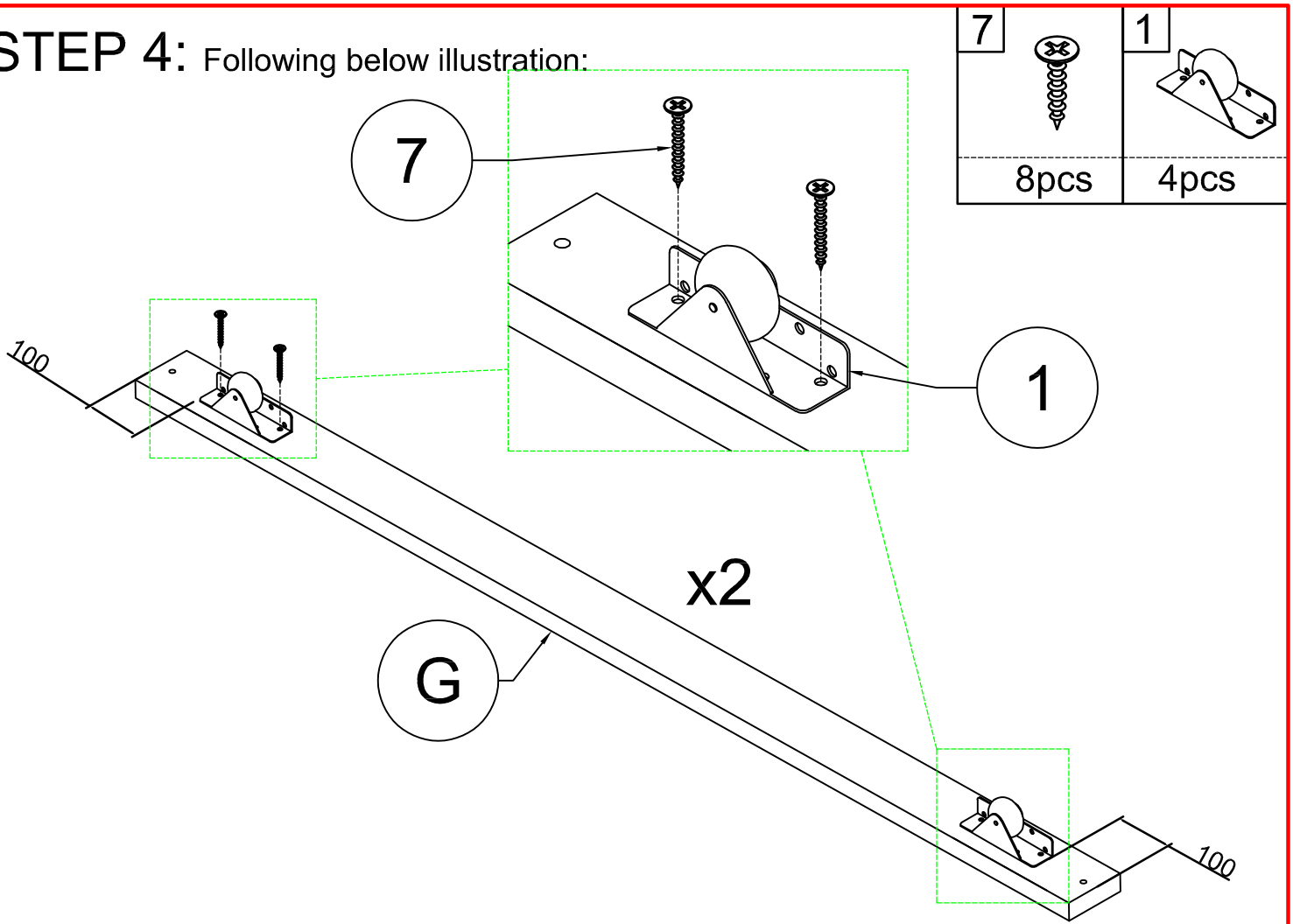


STEP 3: Following below illustration:

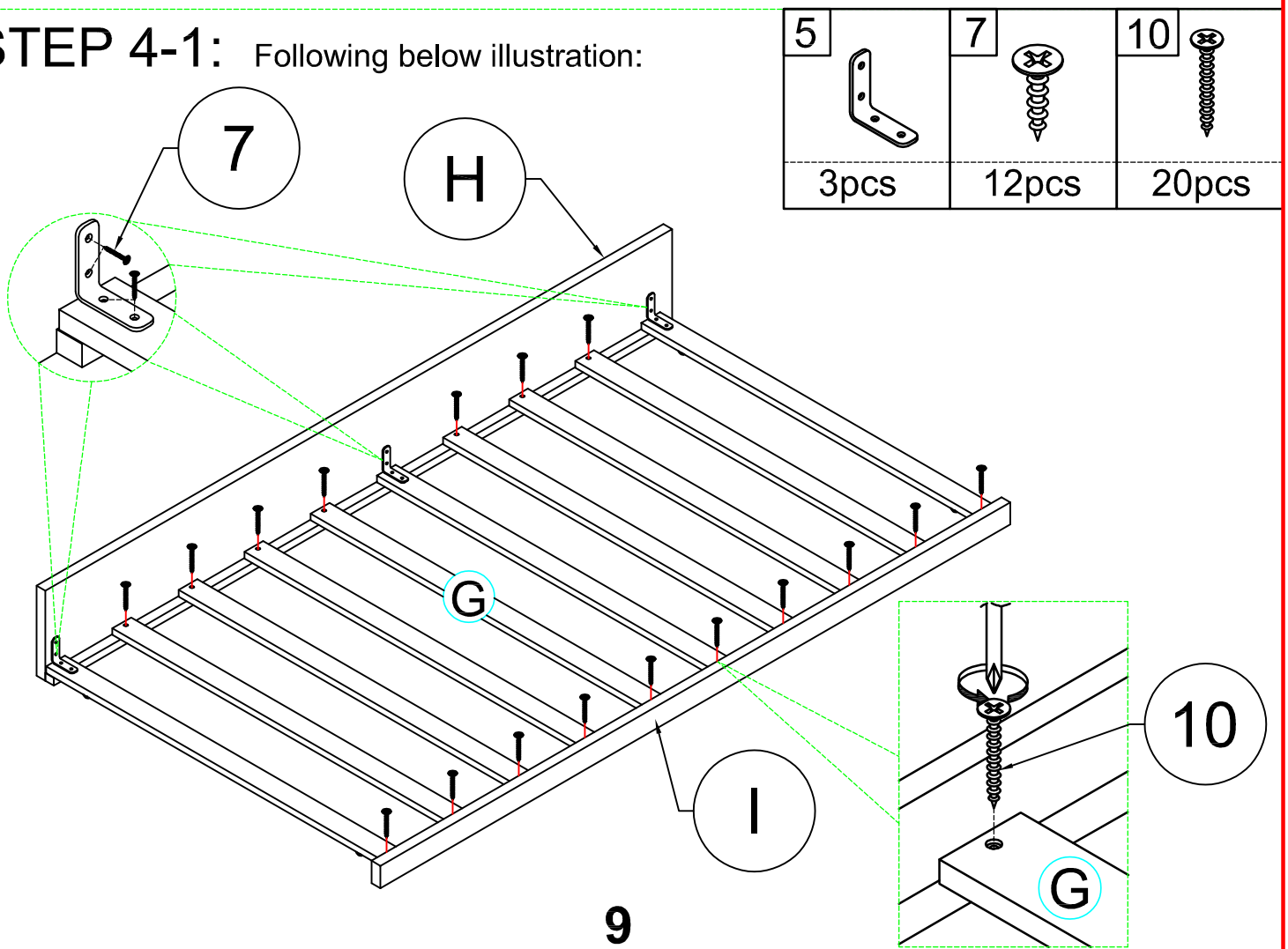
8	10
	
3pcs	20pcs



STEP 4: Following below illustration:



STEP 4-1: Following below illustration:



FINISH

