

Model No :: **20415-OPL**
 Name :: Daphne



Project Name :: _____
 Location :: _____
 Type :: _____
 Quantity :: _____
 Notes :: _____

Product Information

Product ID :: 20415
 UPC Code :: 641594001839
 Mounting Type :: Wall
 Finish ::
 Diffuser :: Opal
 Alt. Finishes :: Brushed Steel (BS); Opal Glass (OPL)
 Alt. Diffusers :: Alabaster (ALB); Opal (OPL)

Product Dimensions

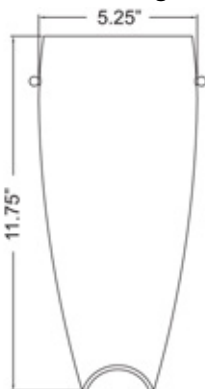
Fixture	Canopy
Length ::	Length :: 8.5
Width :: 5.5	Width :: 4.25
Diameter ::	Diameter ::
Extension :: 4	Height :: 0.5
Height :: 11.75	
Overall Height ::	



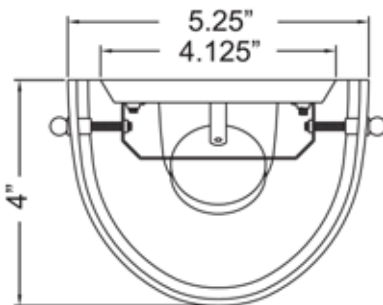
Technical Specifications

Qualifications	Specifications	Photometrics	Recommended Dimmers
Location Rating :: Damp	Frame Material :: Steel	CCT ::	(TRIAC) Any Standard Dimmer
Certification :: UL Listed (US/Canada)	Diffuser Material :: Glass	CRI ::	
IES File ::	Voltage :: 120v	Wattage :: 100 W	
JA8 Compliant :: No	Lamping Type :: A-19 (INC)	Nominal Lumens ::	
Energy Star :: No	Lamping Base :: E-26	Delivered Lumens ::	
ADA Compliant :: Yes	Lamp Quantity :: 1	Additional Items ::	
Marine Grade :: No	Lamp Wattage :: 100 W		
Emergency Lighting :: No	Total Wattage :: 100 W		
Warranty :: 1 Year Limited	Lamps Included :: No		
	J-Box Type :: Standard		

Line Drawing #1



Line Drawing #2



IES File

Image
Not Available

Toll Free 800-828-5483 • www.AccessLighting.com

14410 Myford Road, Irvine, CA 92606

The information provided is subject to change without notice. ©2022 Access Lighting Corporation. All Rights Reserved
 Rev. 202204 Filename:: 20415-OPL.pdf

