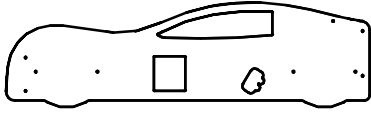
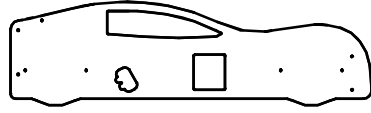

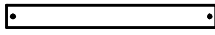



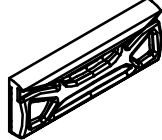
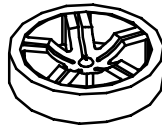
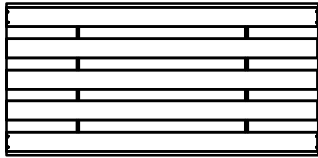
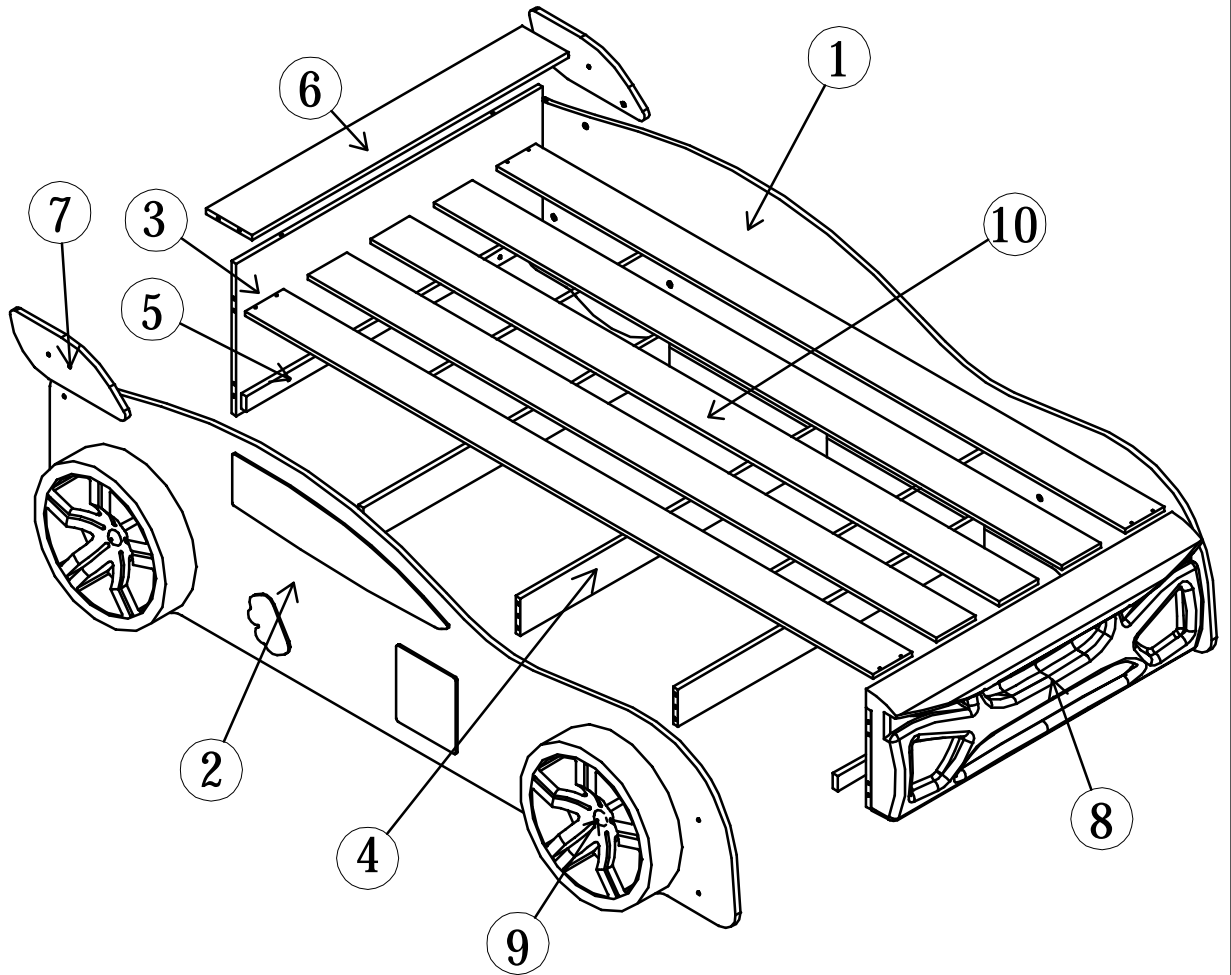
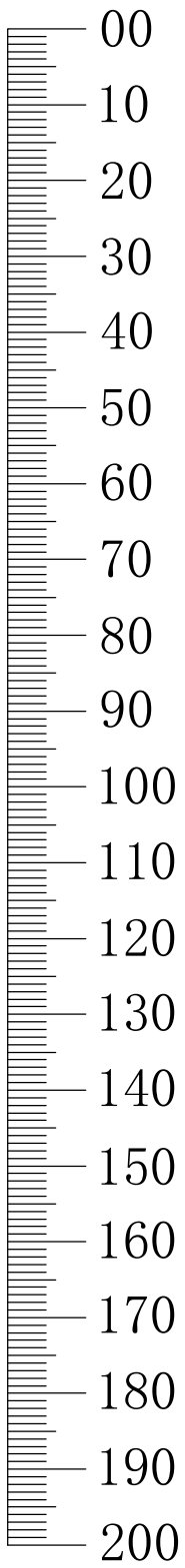
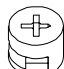











ITEM NO	MEASUREMENT	QTY	SHAPE	CARTON NO.
①	2080 X 600 X 20	X1		1-5
②	2080 X 600 X 20	X1		1-5
③	930 X 400 X 15	X1		2-5
④	930 X 98 X 15	X3		2-5
⑤	900 X 40 X 15	X2		2-5
⑥	960 X 140 X 15	X1		2-5
⑦	350 X 128 X 15	X2		2-5
⑧	930 X 320 X 120	X1		3-5
⑨	400 X 400 X 75	X4		4-5
⑩	1907 X 118 X 12	X5		5-5



A  x8 2-5	B  x8 2-5	C $\Phi 8 \times 30$  x20 2-5	D $\Phi 10 \times 11$  x12 2-5	E $\Phi 6 \times 25$  x6 2-5	F $\Phi 6 \times 50$  x12 2-5
G $\Phi 6 \times 70$  x8 2-5	H $\Phi 3.5 \times 29$  x8 2-5	I  x4 2-5	J $\Phi 6 \times 20$  x2 2-5		

Safety Advice

Please take the time to carefully read through the whole of these instructions before you commence.

Keep these instructions for future reference.

Unpack, inspect and check off all of the contents.

Please dispose of all packaging safely.

Small component parts could choke a child if swallowed.

We strongly recommend that you keep children well away from the work area.

It would be sensible to lay a sheet or blanket on the floor where you intend to work to avoid scratching this product and to protect your floor.

This product is heavy. Take extreme care when lifting to avoid personal injury or damage to the product.

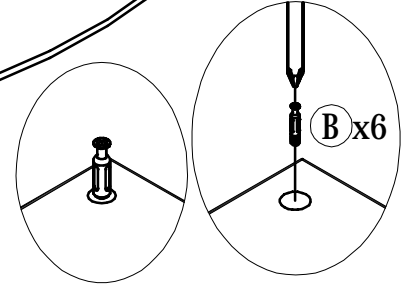
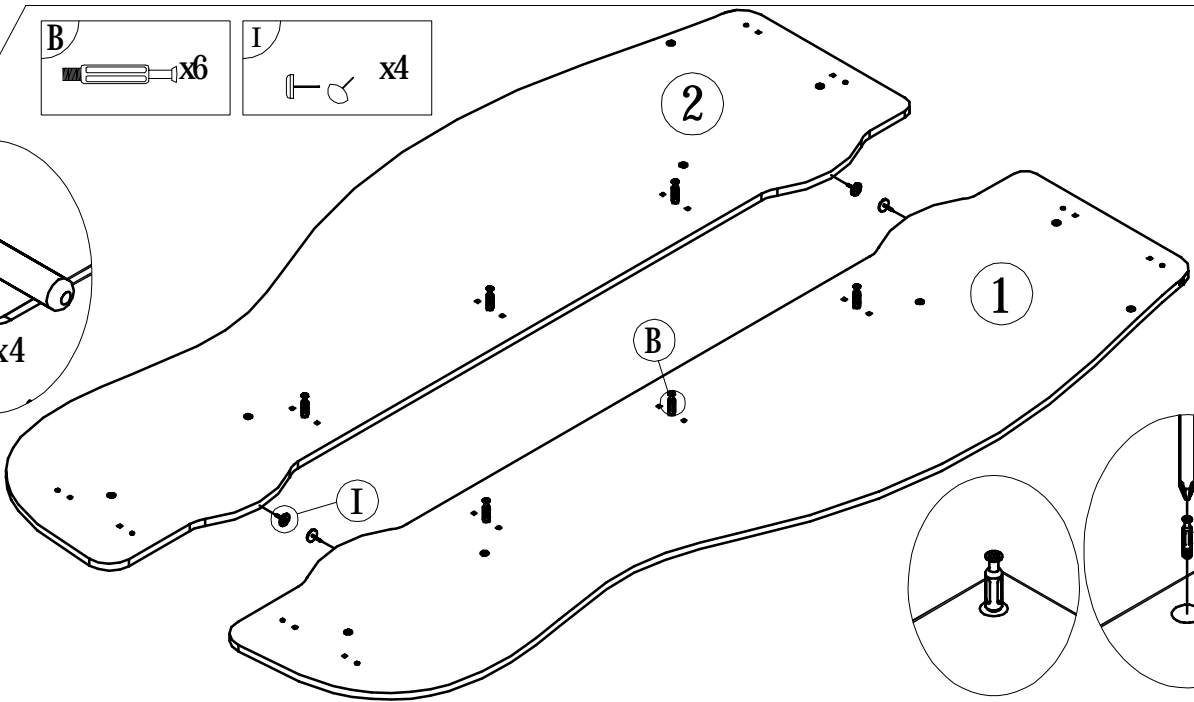
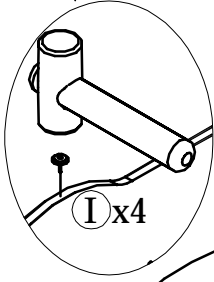
Assemble the product as close to its intended final position in the room as possible.

HANDY HINT: If you keep the hardware in a bowl during assembly you will be less likely to lose them.

1

B $\times 6$

I $\times 4$

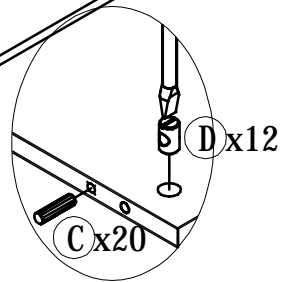
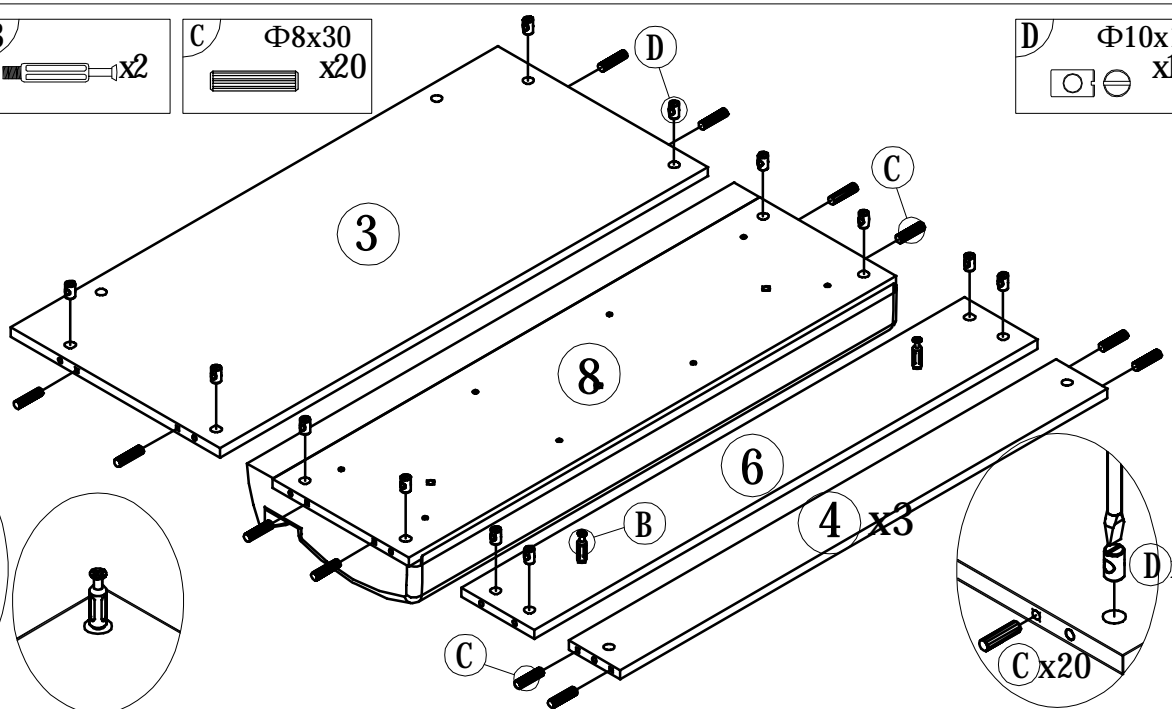
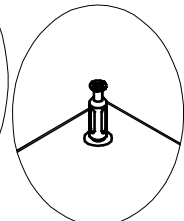
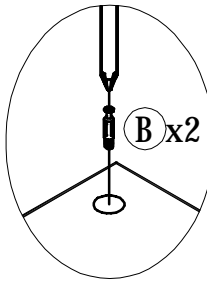


2

B $\times 2$

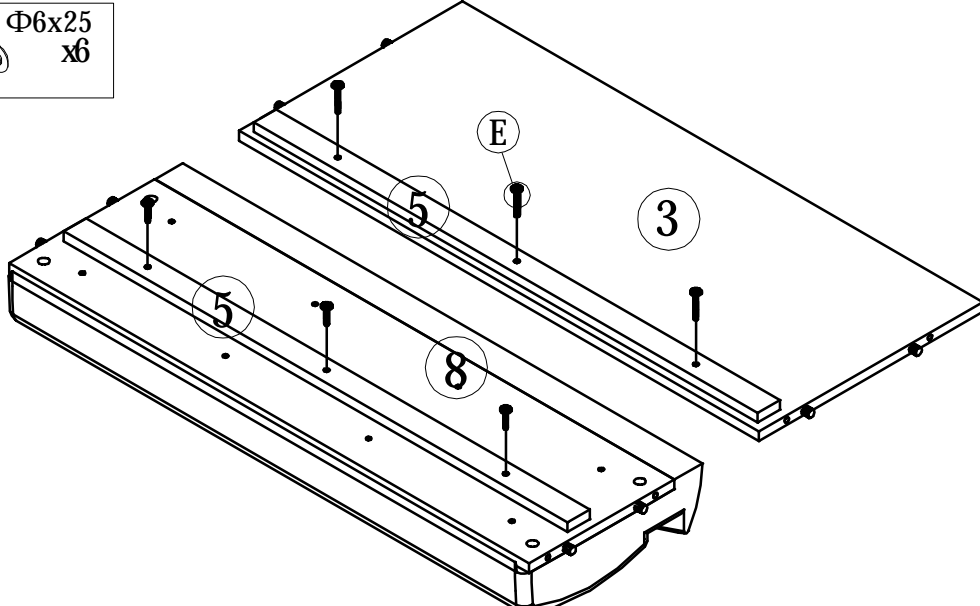
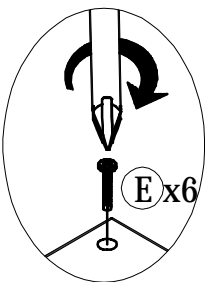
C $\Phi 8 \times 30$
 $\times 20$

D $\Phi 10 \times 11$
 $\times 12$

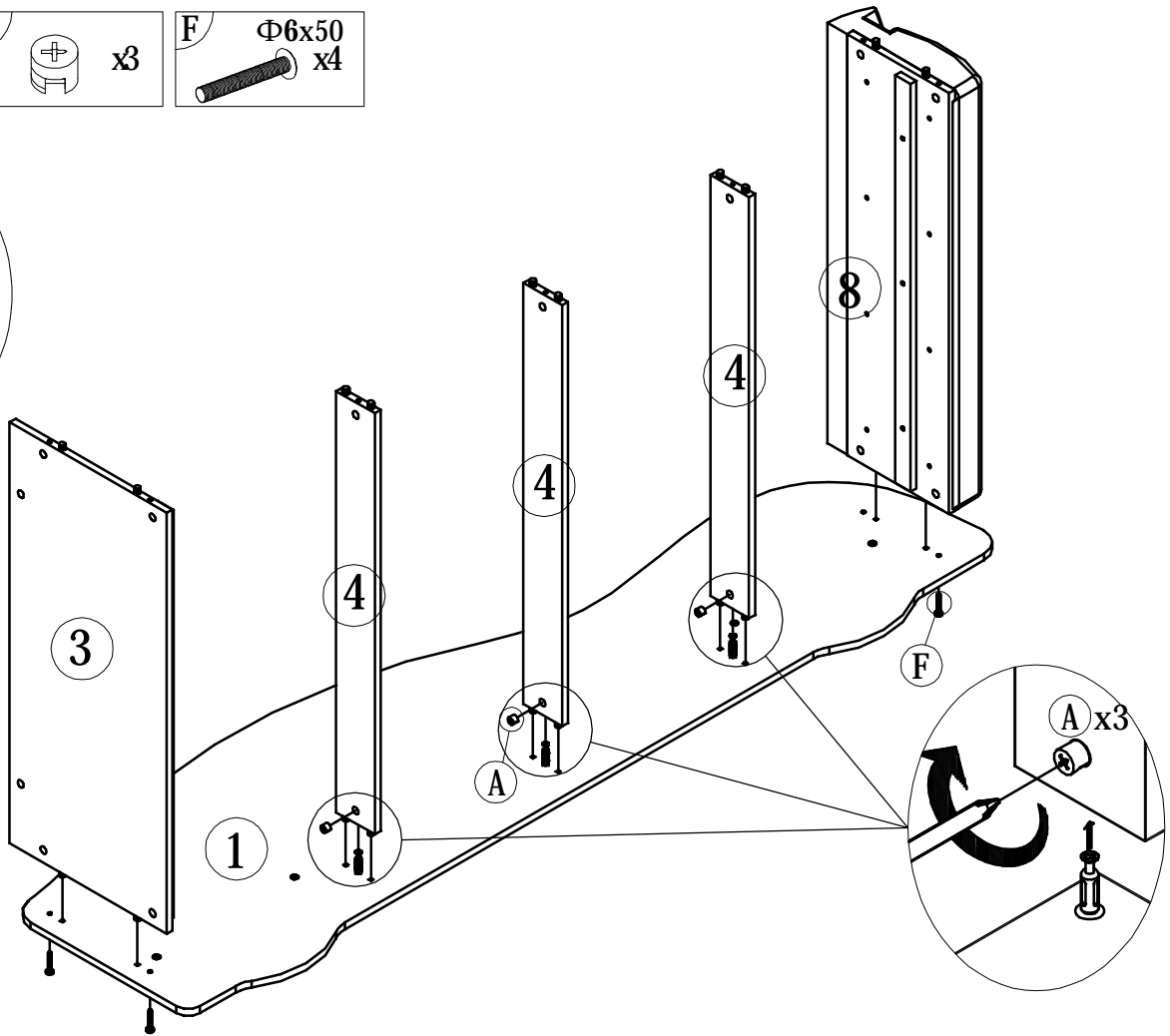
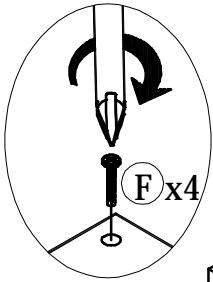
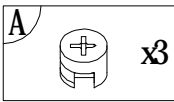


3

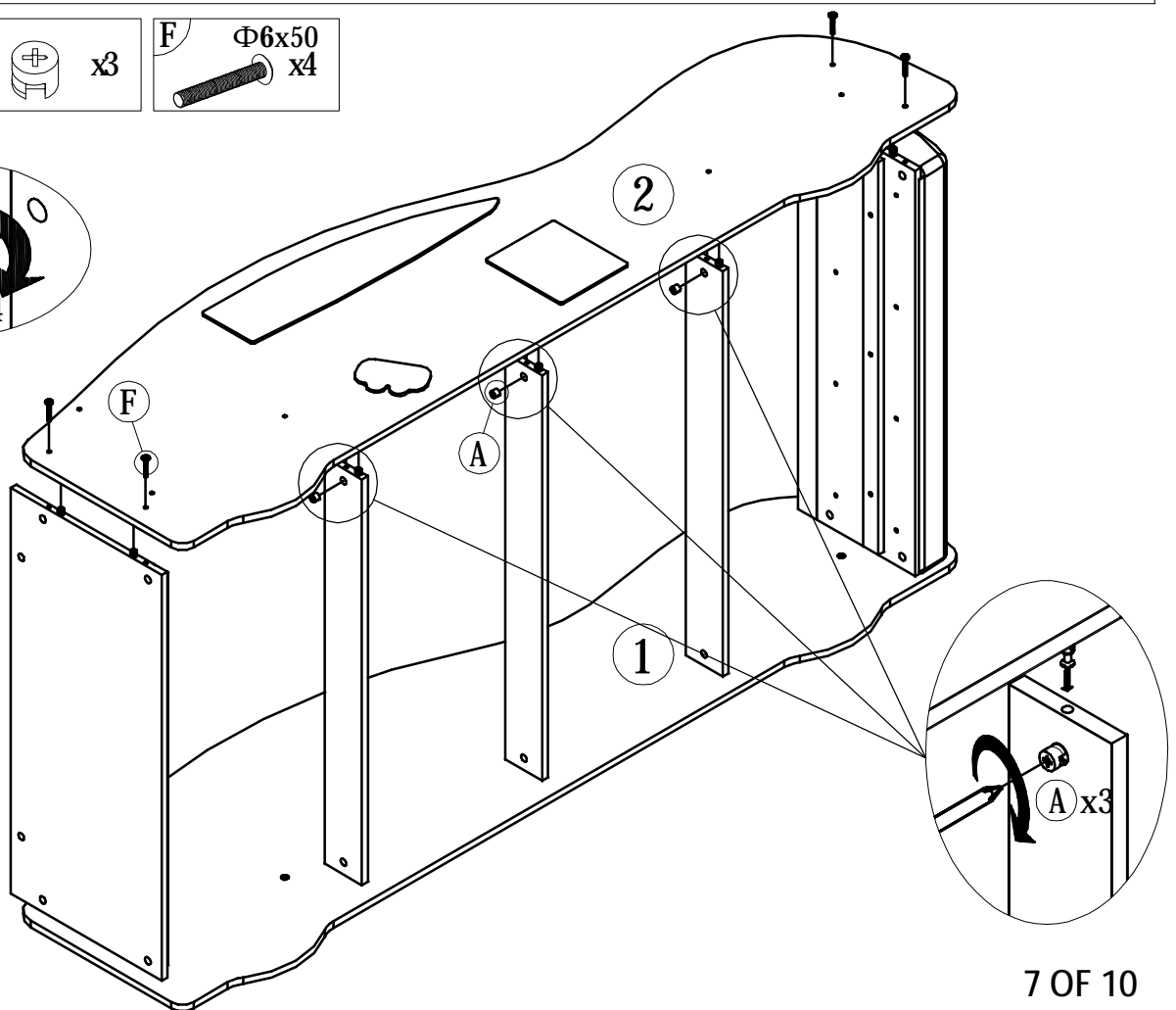
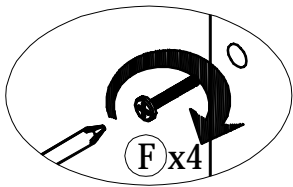
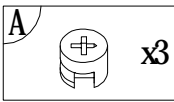
E $\Phi 6 \times 25$
 $\times 6$



4

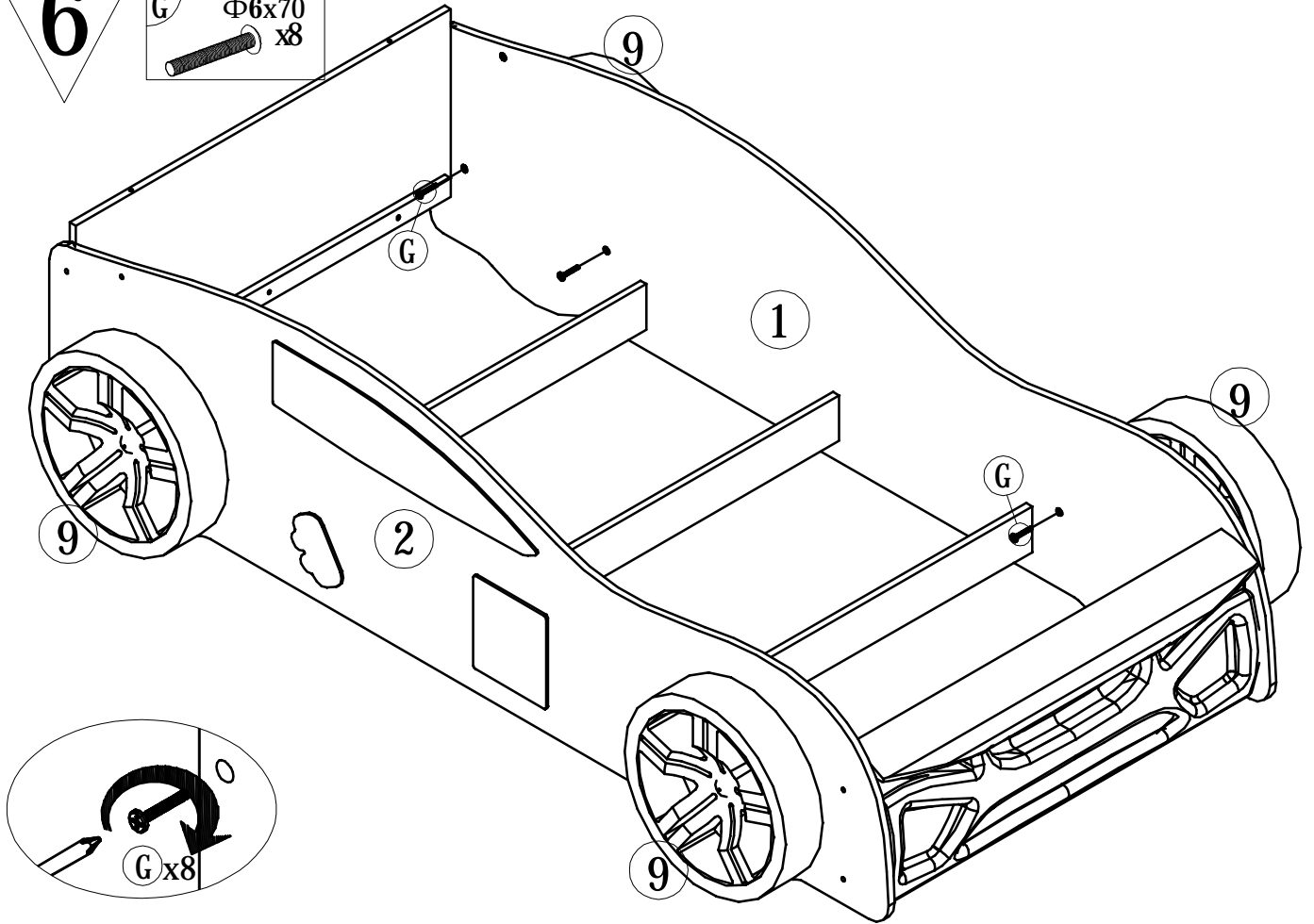


5



6

G $\Phi 6 \times 70$
x8

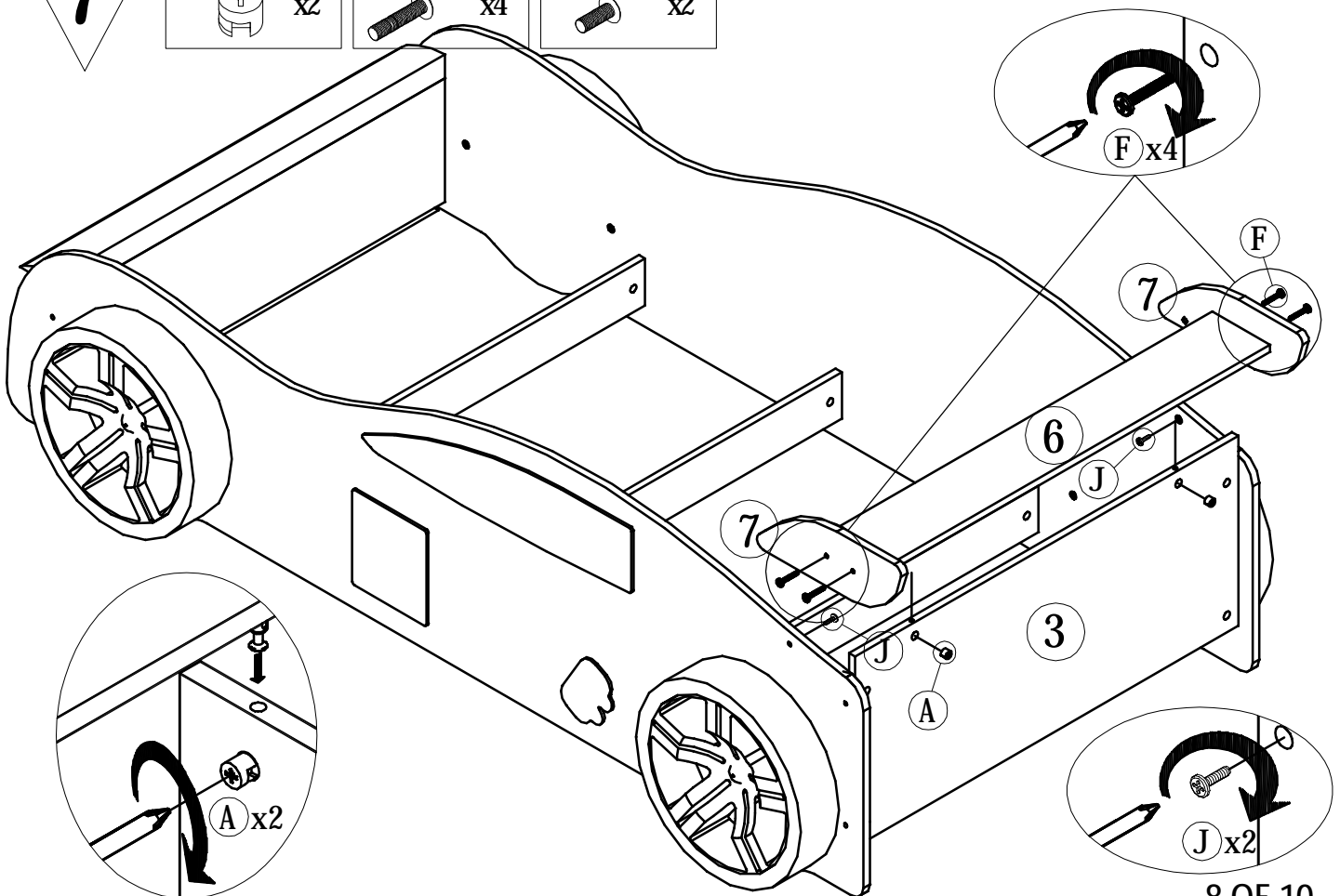


7

A \oplus x2

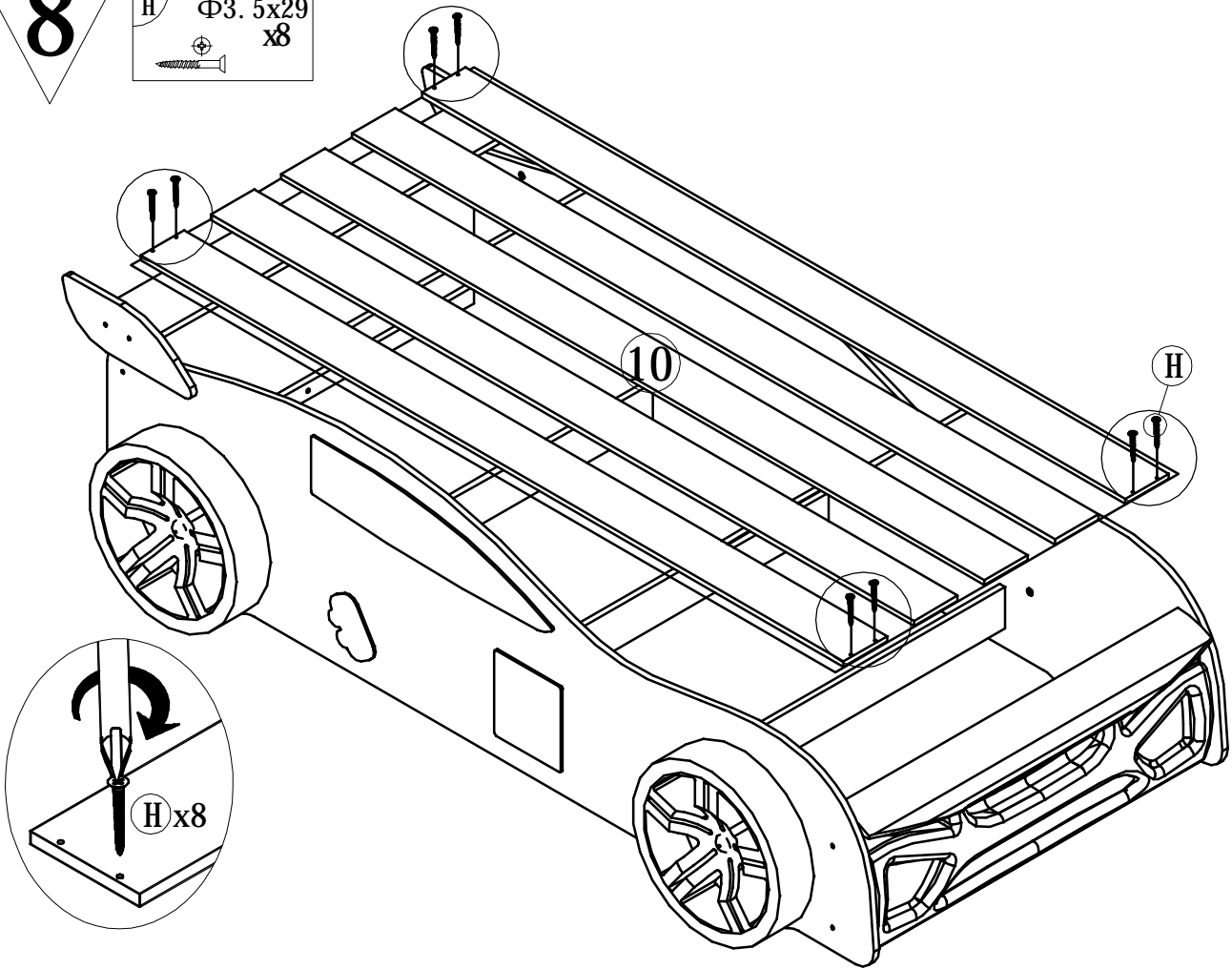
F $\Phi 6 \times 50$
x4

J $\Phi 6 \times 20$
x2

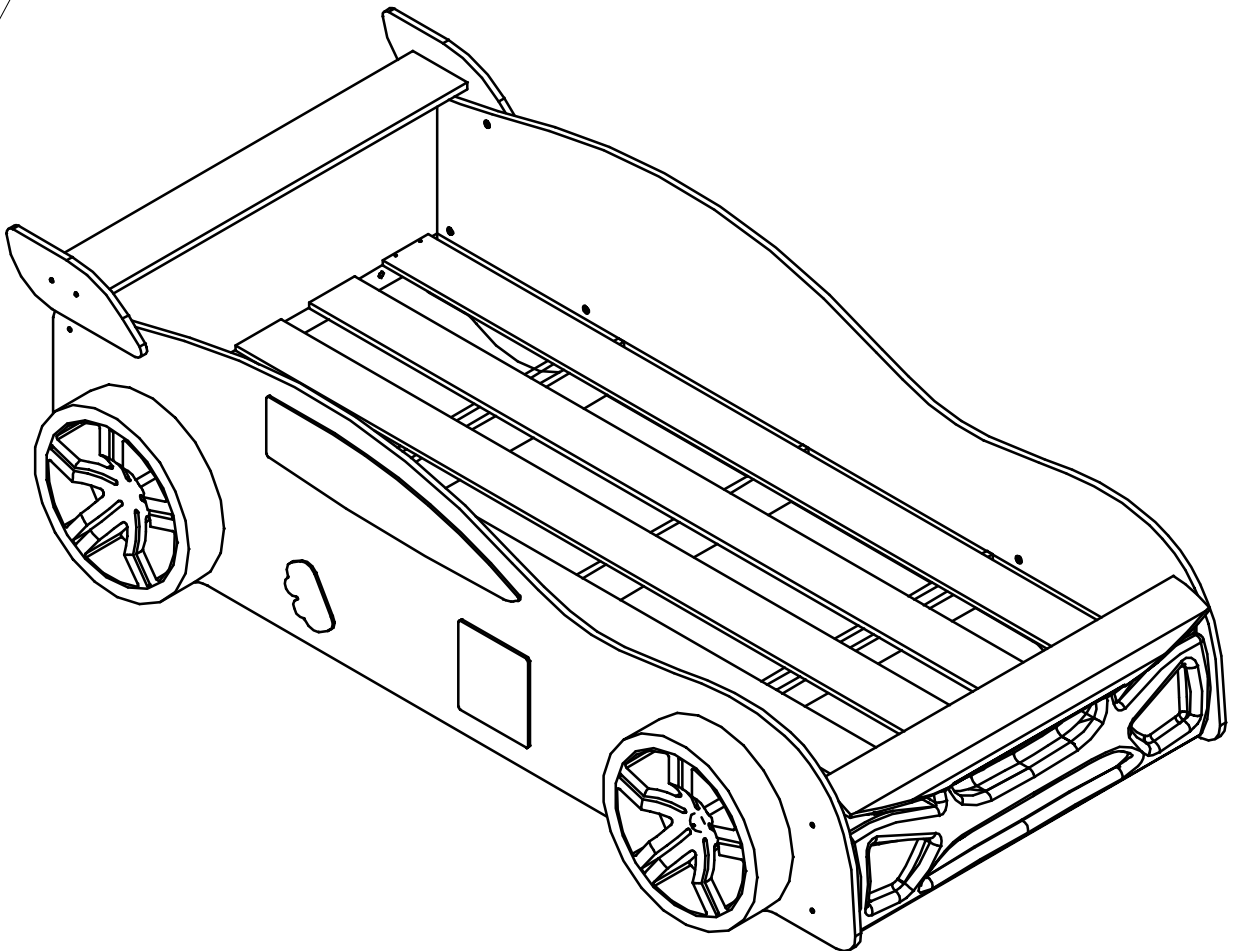


8

H $\Phi 3.5 \times 29$
x8



9



Your Scorpion Racer Bed is Now Ready For Use.

9 OF 10