

## Specifications:

<b>Installation:</b>	built-in wall mount
<b>Exterior Dimensions:</b>	W: 5 1/8" H: 7 1/4"
<b>Material:</b>	solid brass construction with progressive ceramic cartridge and 2-way diverter cartridge
<b>Water use:</b>	4.2 GPM (43.5 PSI)
<b>Finishes:</b>	CR - polished chrome PN - polished nickel NI - brushed nickel BG - brushed gold 44 - matte black
<b>Fittings included:</b>	Rough-in # VPBP2 and trim # 15PBP2.L.S-A
<b>Tile opening max size:</b>	W: 4" H: 5 3/4"



## Features:

- unibody pressure balancing progressive valve with 2-way diverter and OFF function
- trim sold separately
- lever handles and rectangular backplate
- 2-way diverter valve with 180° rotating angle
- anti-scald protection & temperature regulation for flow rates as low as 1.75 GPM
- screwdriver service stops
- finished wall must be flush with mudguard as marked
- 1/2" Male NPT inlets & outlets, optional sweat connection
- 1" extension kit available



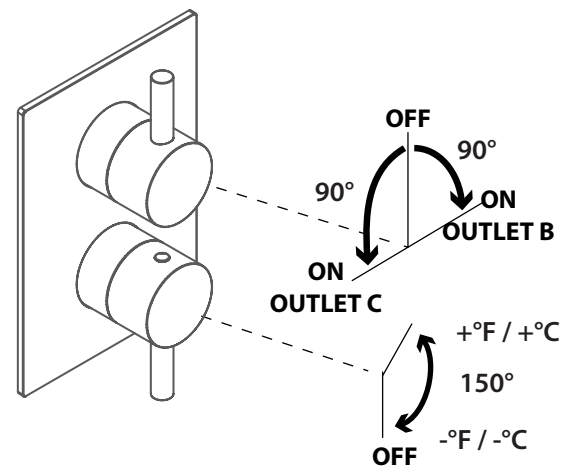
## Codes + Standards:

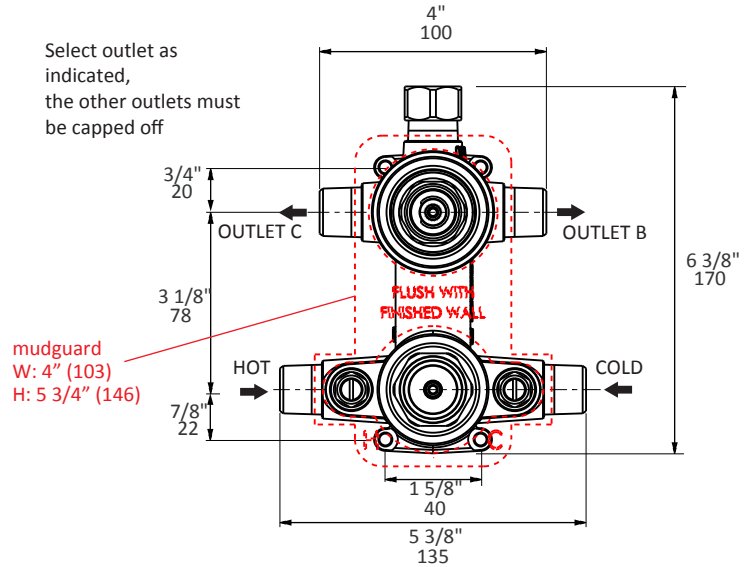
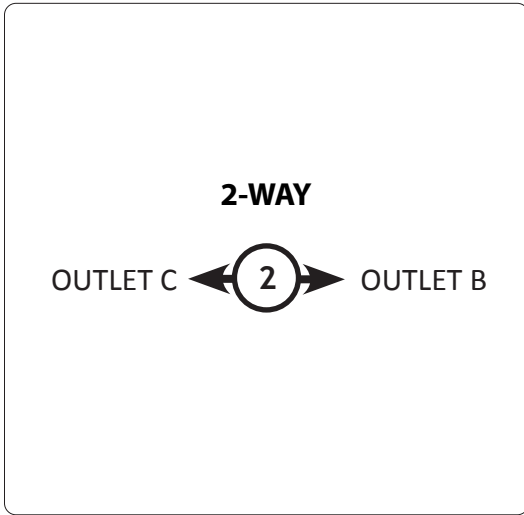
- Meets and exceeds applicable national codes
  - ASME A112.18.1/CSA B125.1
  - ASSE 1016/ASME A112.1016/CSA B125.16
- CAL-Green compliant

**ADA** compliant when installed to specific requirements of this regulation

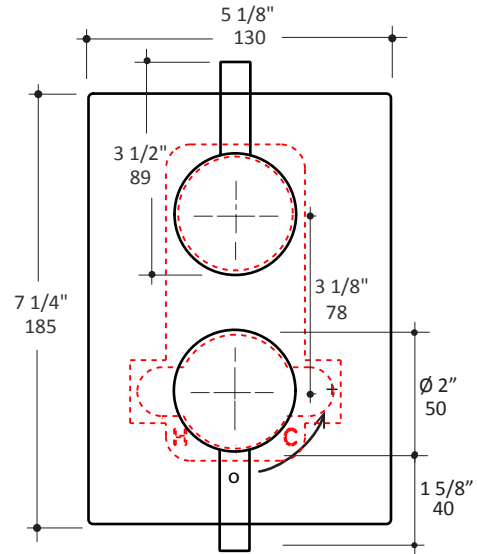
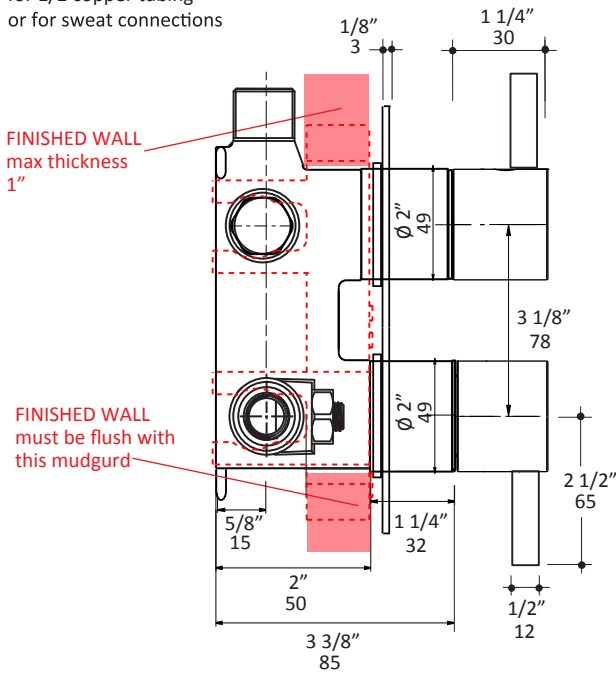
## Recommended Items:

- Replacement parts:
  - VPBP2 rough-in
  - 15PBP2.L.S-A trim
  - VPBP-C ceramic cartridge
  - VD2-C- diverter cartridge
  - VPBP1-2-EX 1" extension kit





5 X M 1/2 NPT  
for 1/2 copper tubing  
or for sweat connections



Tile opening max size: 4"W x 5 3/4"H

LACAVA reserves the right to revise any dimension or information on this sheet without notice. Dimensions are nominal and may vary within an industry accepted tolerance of 1/4". Drawings provided herein are meant to give the user an idea of the product and are not made to scale. Location of plumbing is meant for reference, your specific application may vary.  
Revised: 3/11/2024