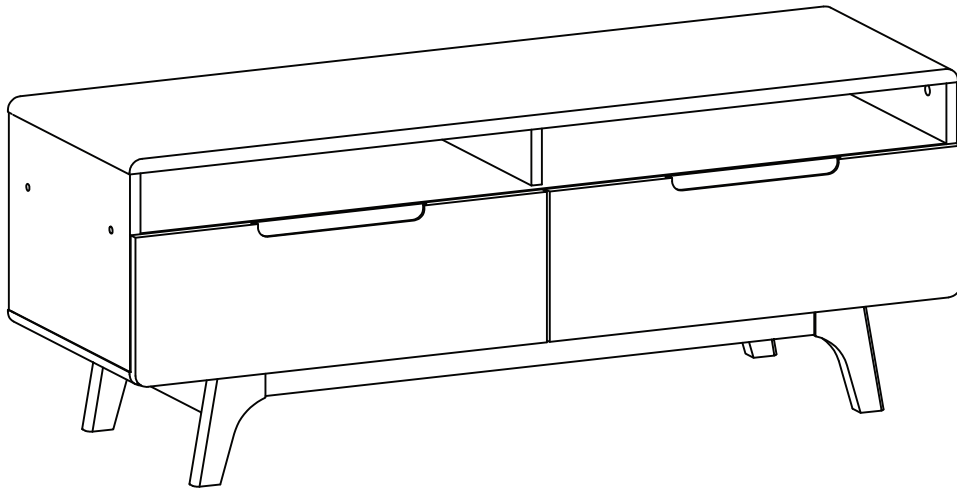


TV 2DRW

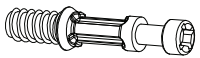
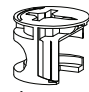

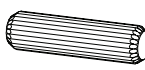

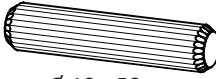

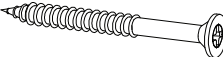
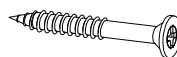
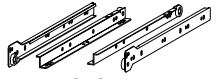




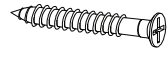


Thank you for purchasing the **TV 2DRW** !

Before you start, here is some helpful advice:

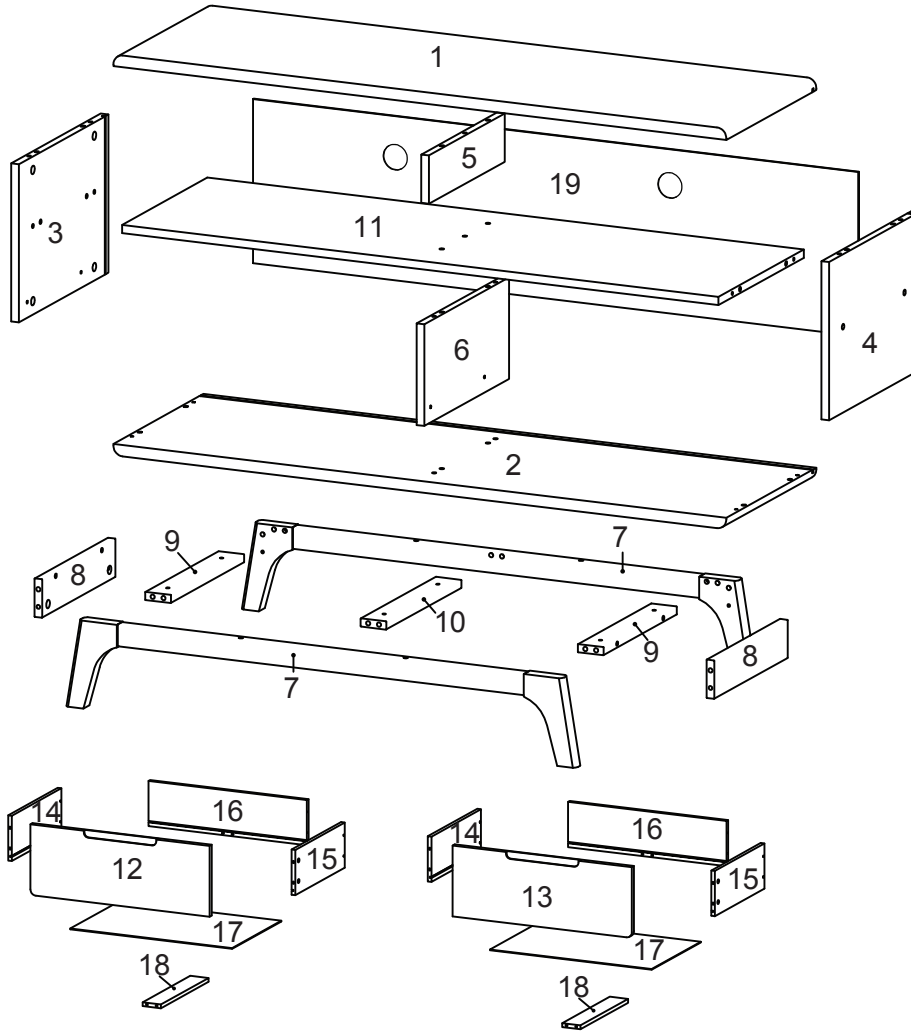
1. We suggest you spend a short time reading through this leaflet and then follow the simple step by step instructions.
2. Owing to the size and weight of the desk, we recommend that it is assembled by two adults, on a carpeted or padded area, in the room that it is intended for. Approximate assembly time: 60 minutes.
3. Please do not use any tools other than those provided or recommended in these instructions.
4. Please do not throw away any of the packaging or instructions until you have checked all the components and hardware and the furniture is fully assembled.
5. Assemble all components loosely until advised to tighten. Depending on use, it may be necessary to tighten the components from time to time, so please save the tools that have been provided.
6. Please keep all pieces out of reach of small children.



Hardware :

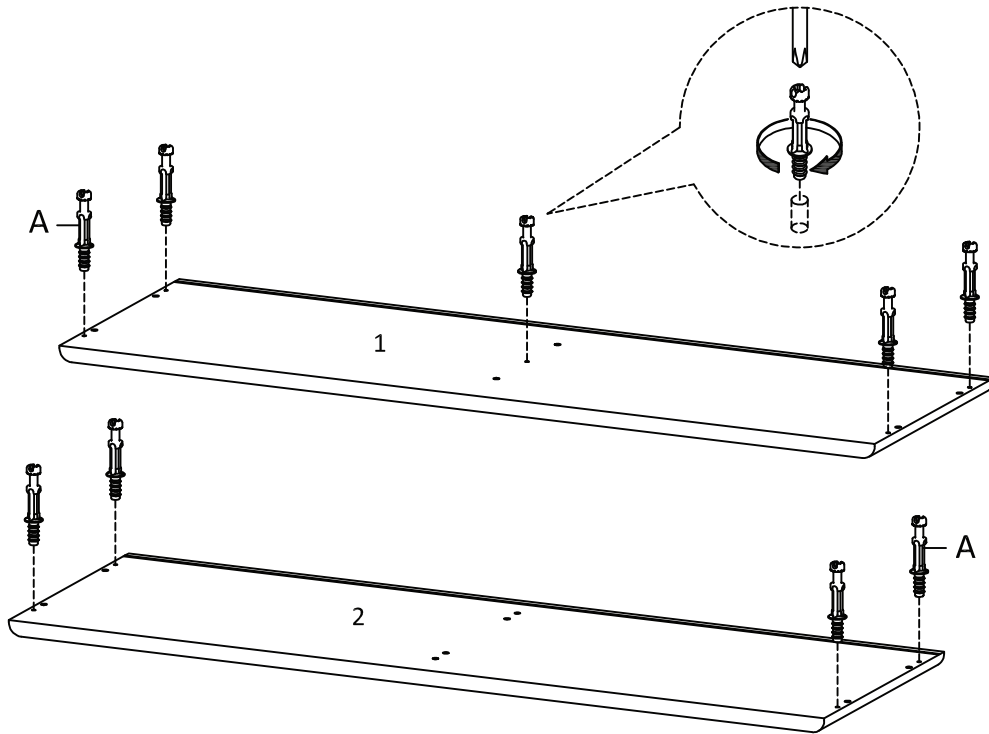
A  Ø 6 x 35 mm	B  Ø 15 mm	C  Ø 12 mm	D  Ø 8 x 30 mm	E  Ø 6 x 30 mm
F  Ø 10 x 50 mm	G  9 x 14 x 10 mm	H  M 12 x 45 mm	I  M 12 x 35 mm	J  350 mm
K  M 6.5 x 10.5 mm	L  Ø 10 mm	M  Screwdriver (Not Include)	N  M 3.5 x 13 mm	O  M 8 x 39 mm
P  M 3.5 x 15.5 mm	Q  Screwdriver (Not Include)			


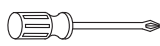
Component:



1	Top Board	x1	2	Bottom Board	x1	3	Side Board Left	x1	4	Side Board Right	x1
5	Centre Board Small	x1	6	Centre Board Big	x1	7	Assembly leg	x2	8	Support Board 1	x2
9	Support Board 2	x2	10	Support Board 3	x1	11	Fixed Shelf	x1	12	Front Drawer Left	x1
13	Front Drawer Right	x1	14	Side Drawer Left	x2	15	Side Drawer Right	x2	16	Back Drawer	x2
17	Bottom Drawer	x2	18	Support Drawer	x2	19	Back Board	x1			

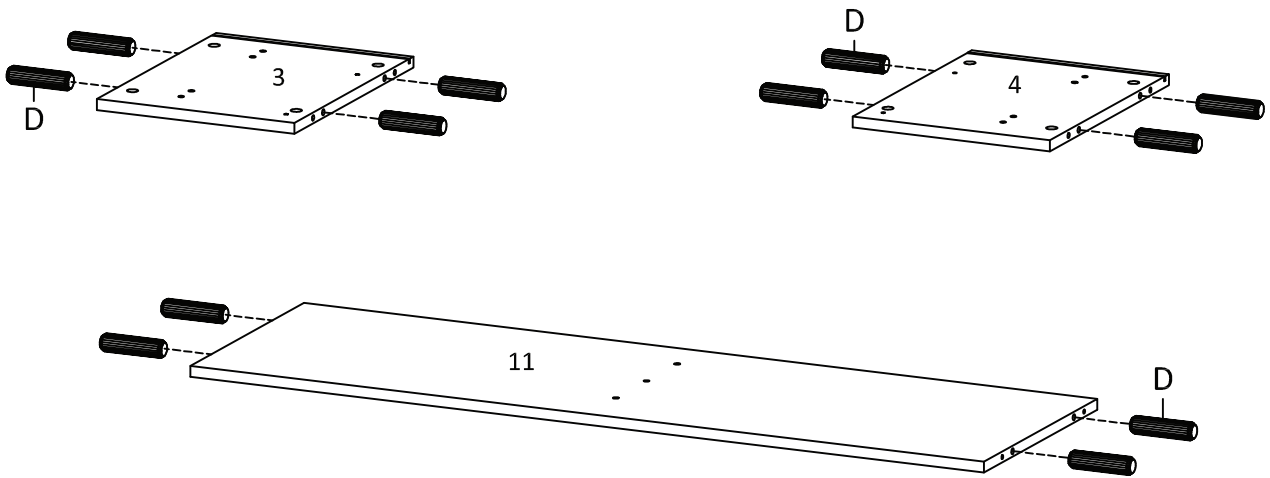
STEP 1:




	
Ax9	Qx1

Hardware required. Screwdriver not include

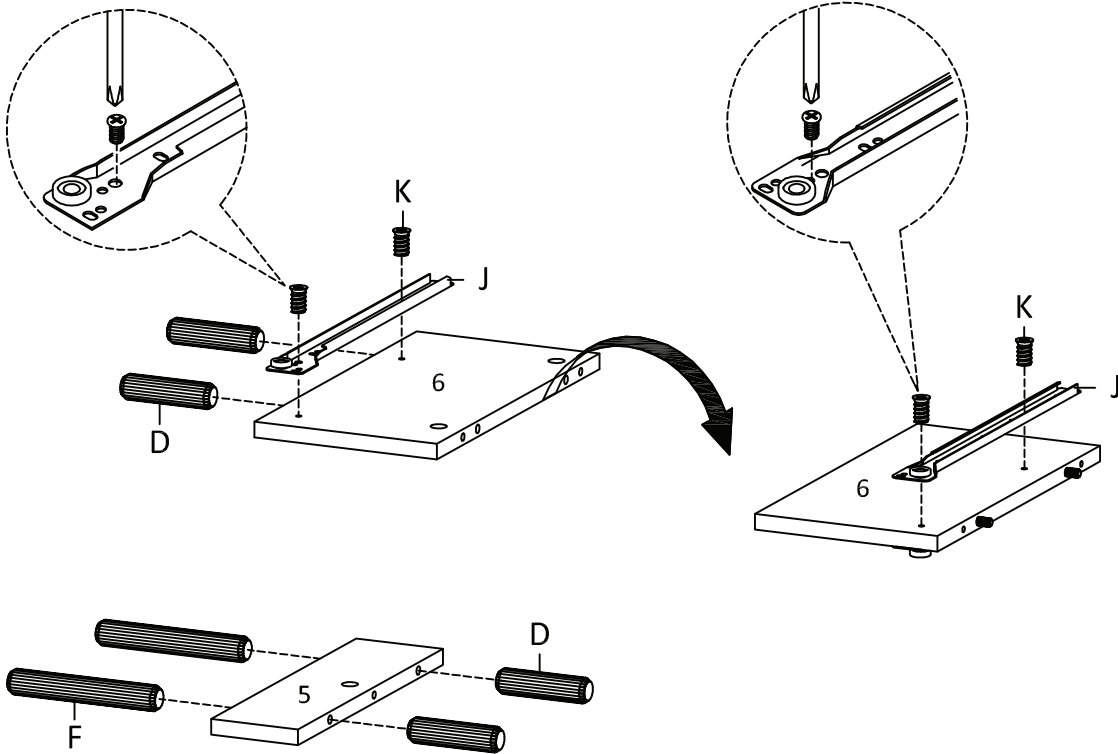
STEP 2:

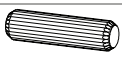

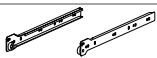

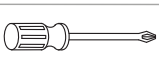



Dx12

Hardware required.

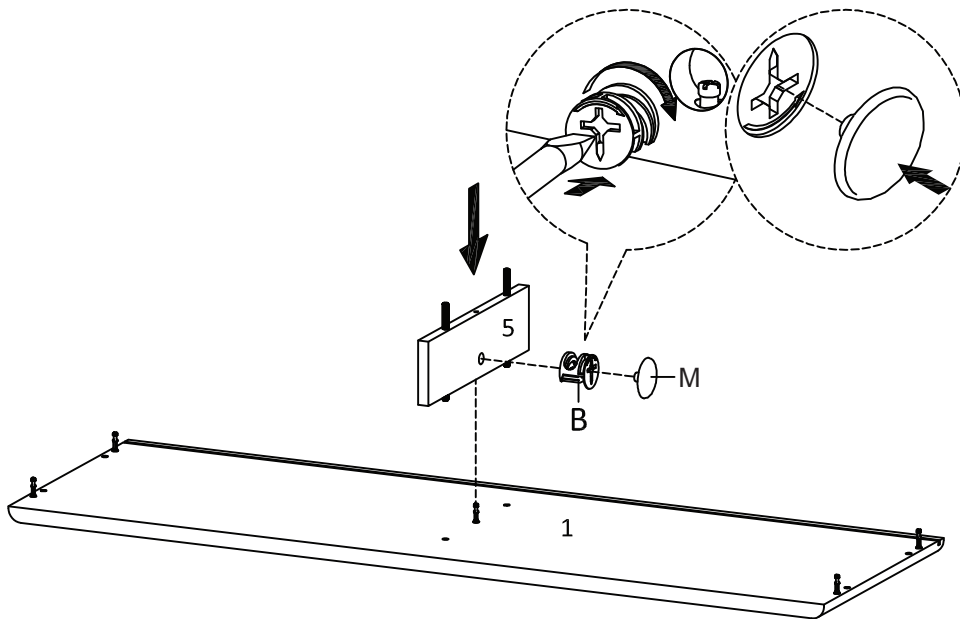
STEP 3:


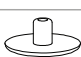
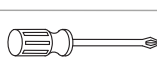


				
Dx4	Fx2	Jx1	Kx4	Qx1

Hardware required.
Screwdriver not include

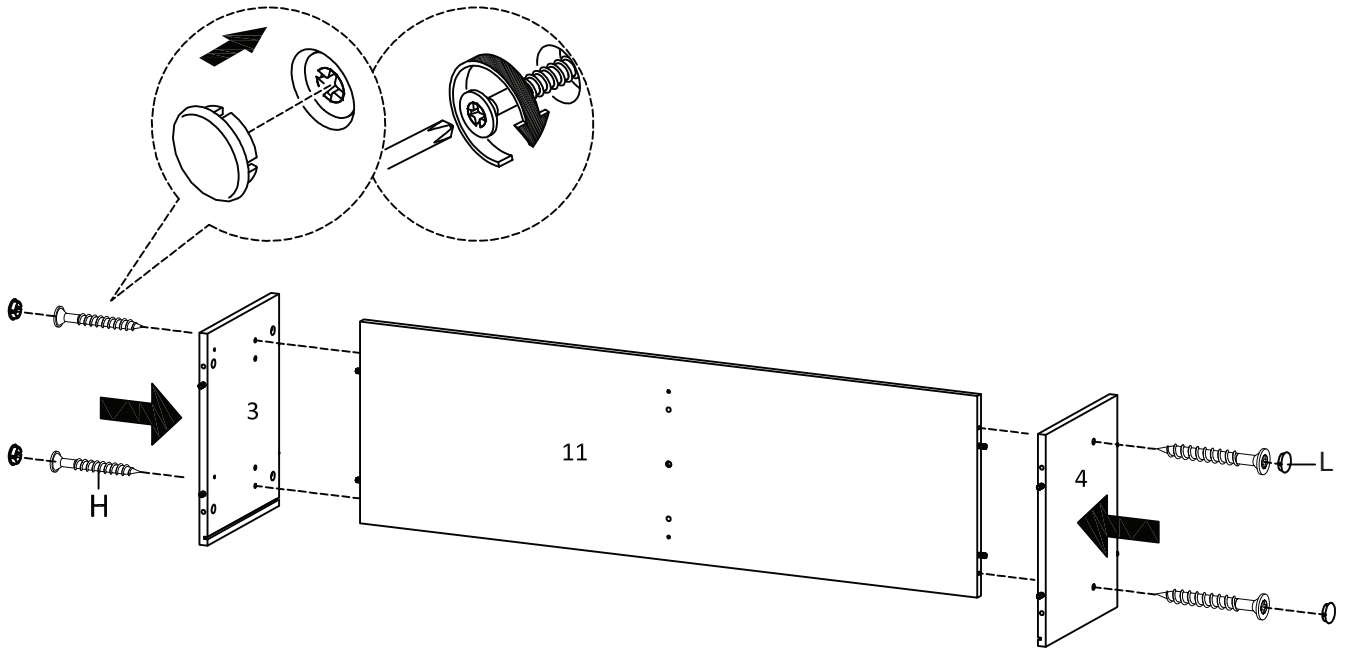
STEP 4:

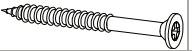

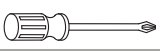


		
Bx1	Mx1	Qx1

Hardware required. Screwdriver not include

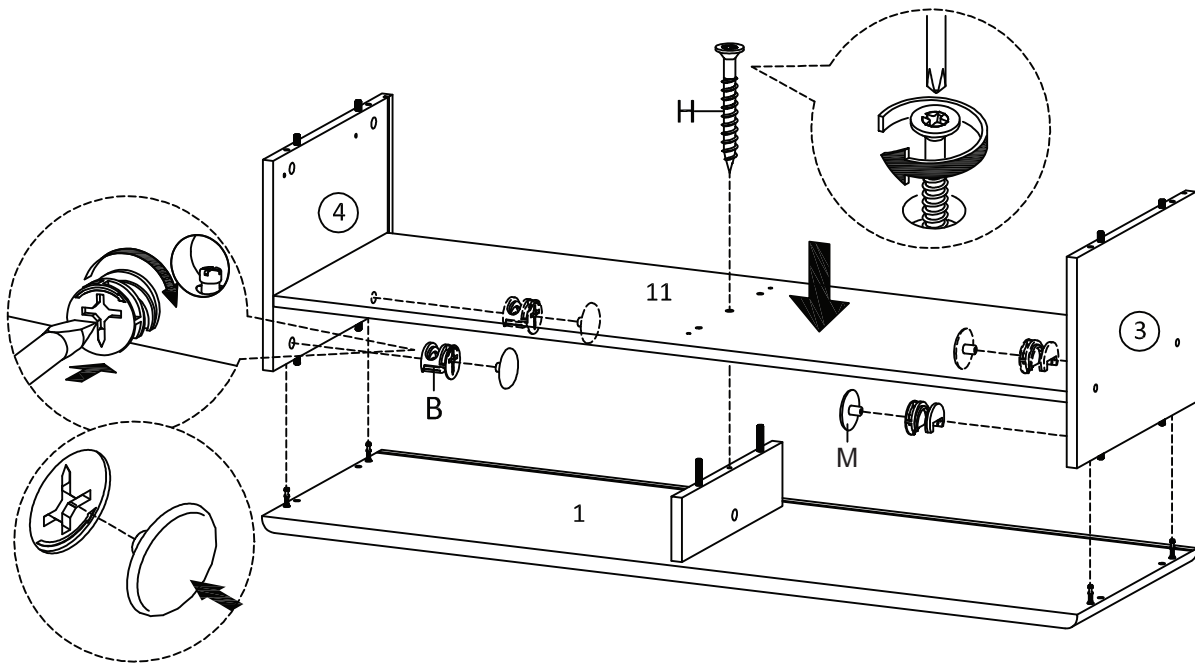
STEP 5:


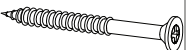
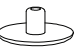



		
Hx4	Lx4	Qx1

Hardware required. Screwdriver not include

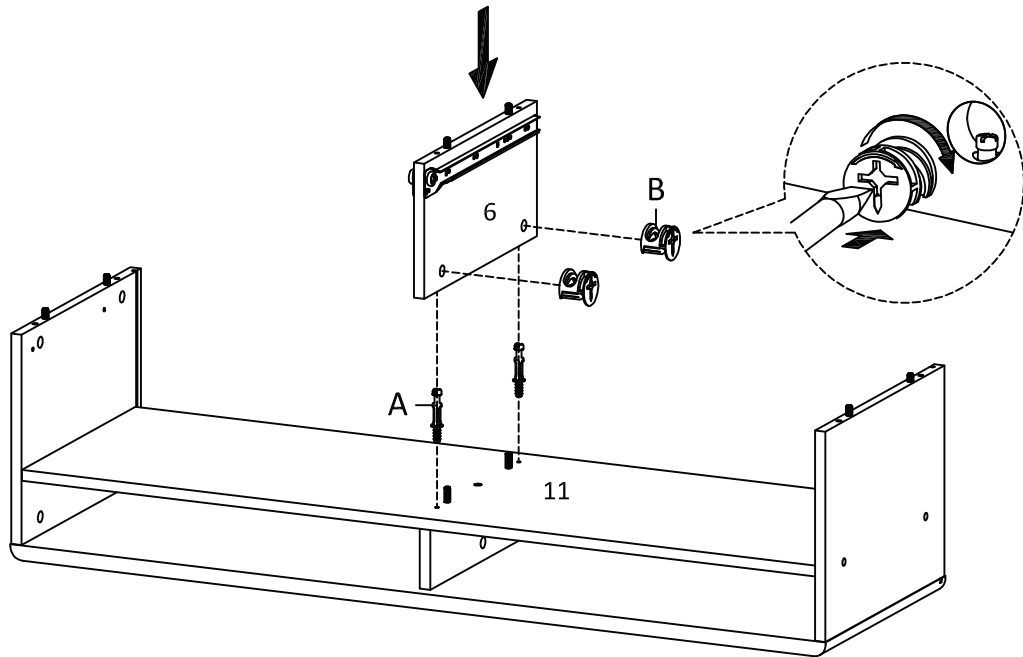
STEP 6:






			
Bx4	Hx1	Mx4	Qx1

Hardware required. Screwdriver not include

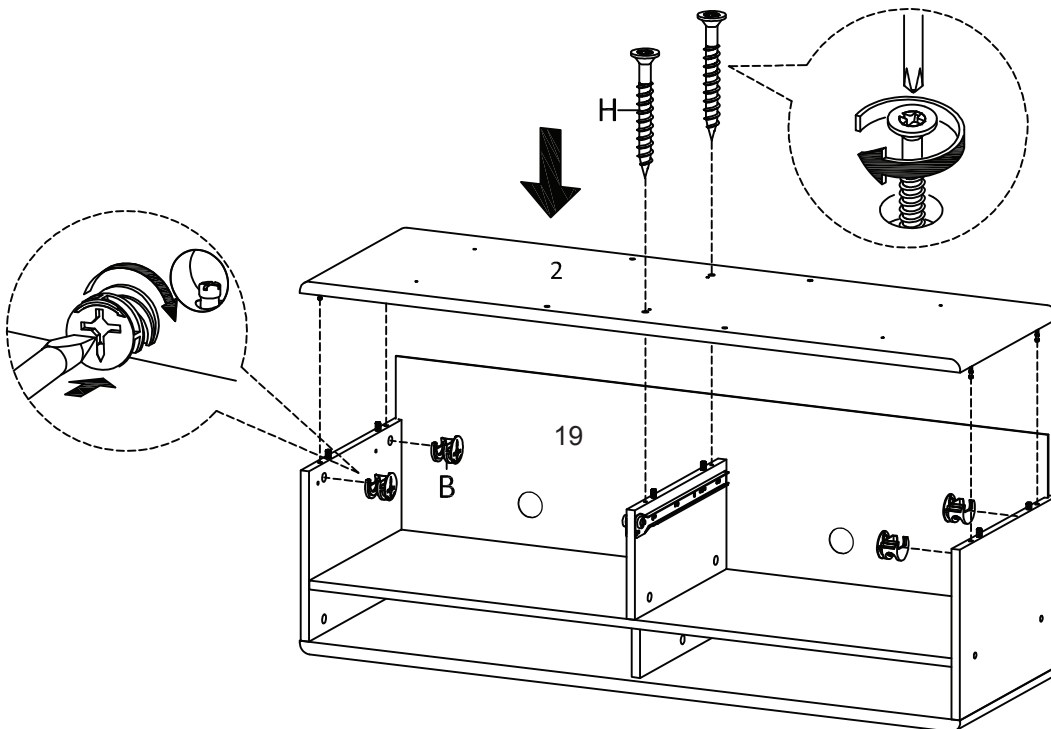
STEP 7:





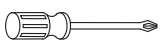
		
Ax2	Bx2	Qx1

Hardware required. Screwdriver not include

STEP 8:

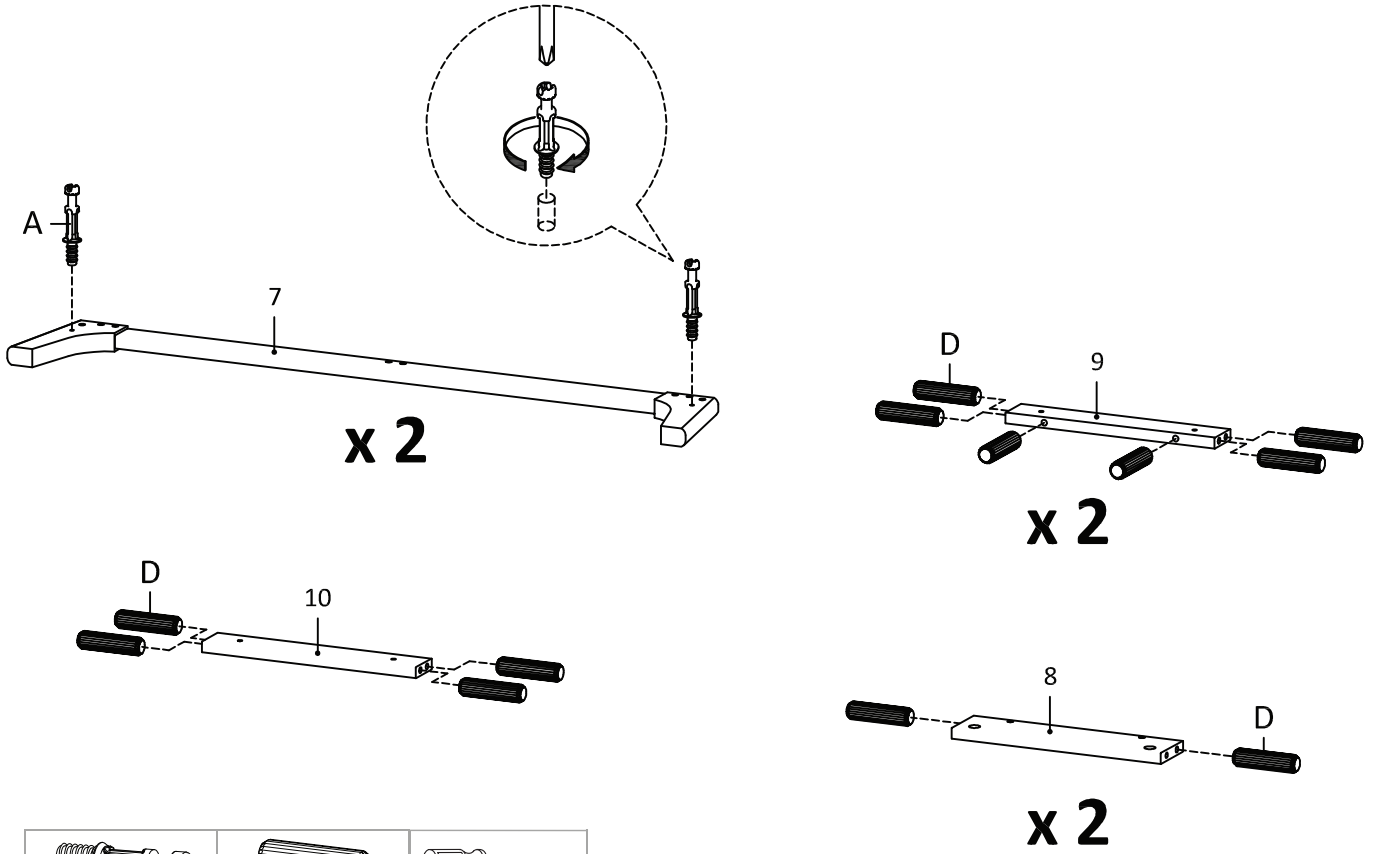




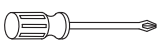
Attention: Insert part 19 (Back Board) first, then part 2 (Bottom Board)

		
Bx4	Hx2	Qx1

Hardware required. Screwdriver not include

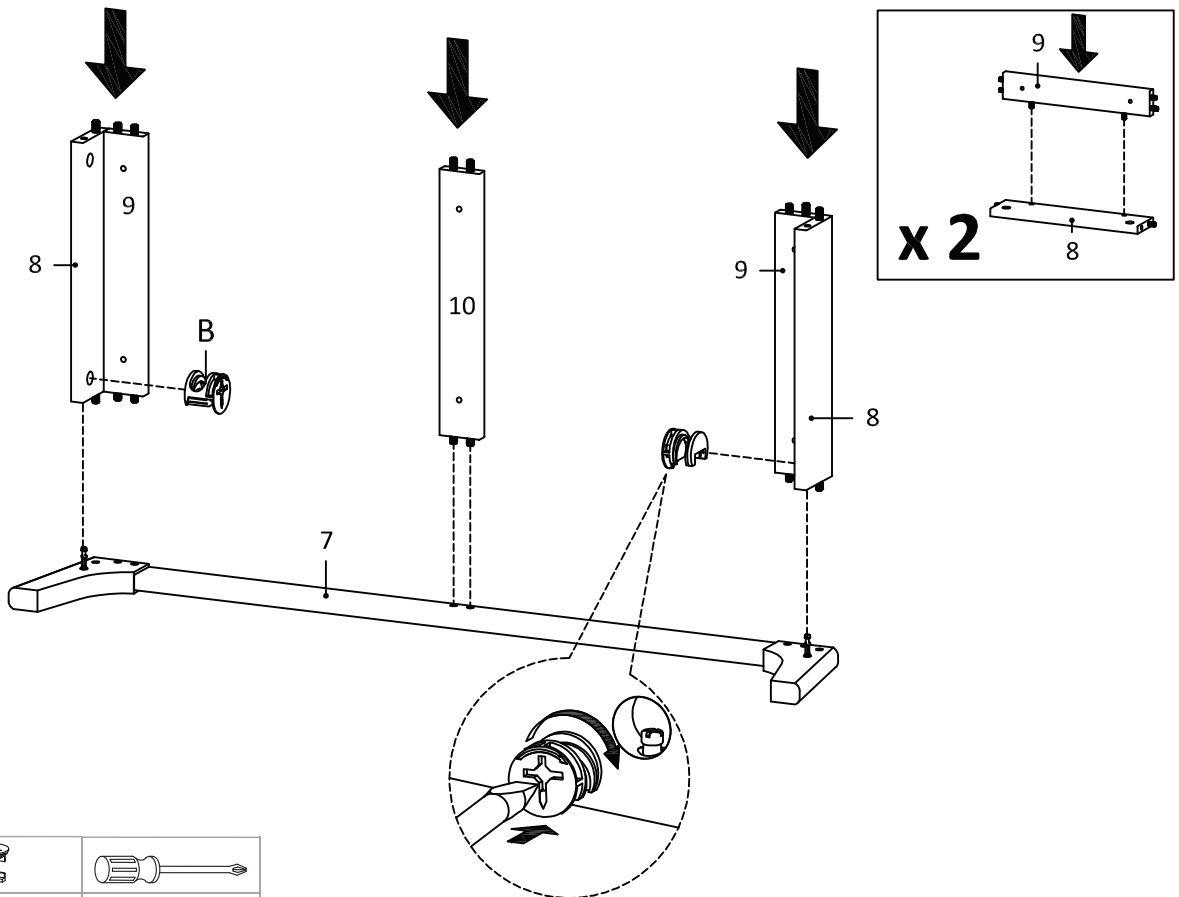
STEP 9:


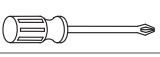


		
Ax4	Dx20	Qx1

Hardware required. Screwdriver not include

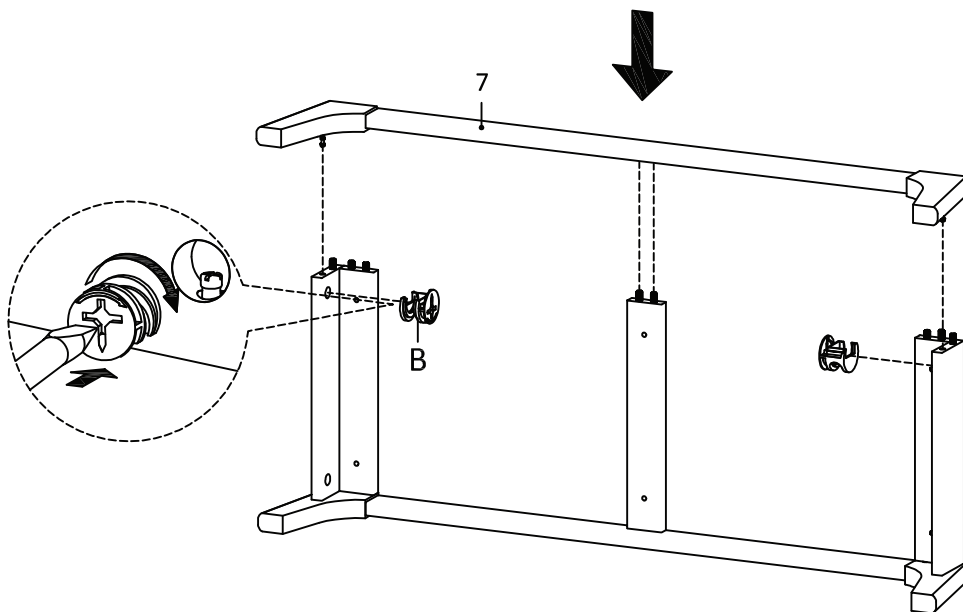
STEP 10:


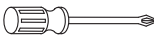


	
Bx2	Qx1

Hardware required. Screwdriver not include

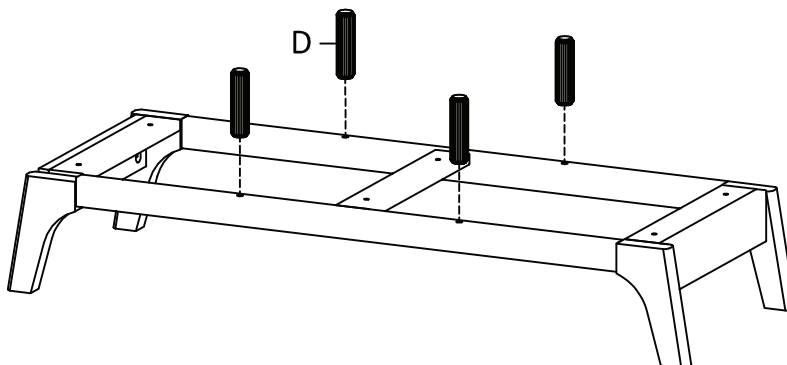
STEP 11:

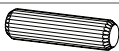


	
Bx2	Qx1

Hardware required. Screwdriver not include

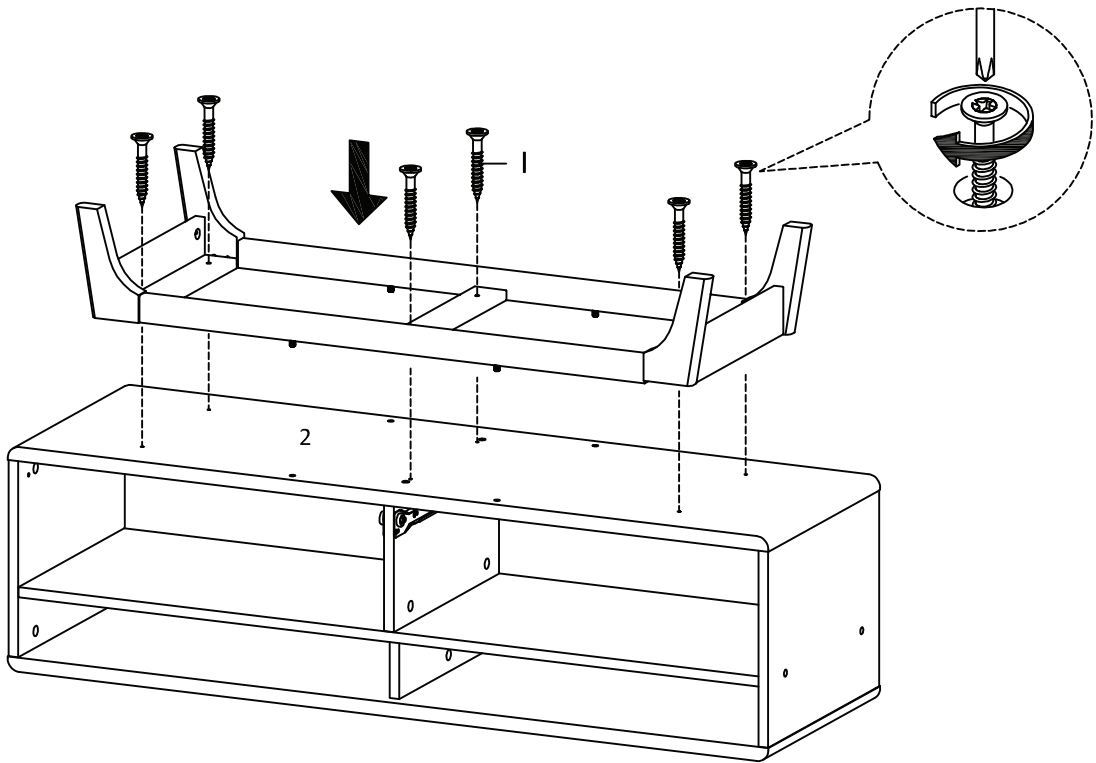
STEP 12:

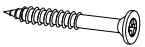




Dx4

Hardware required

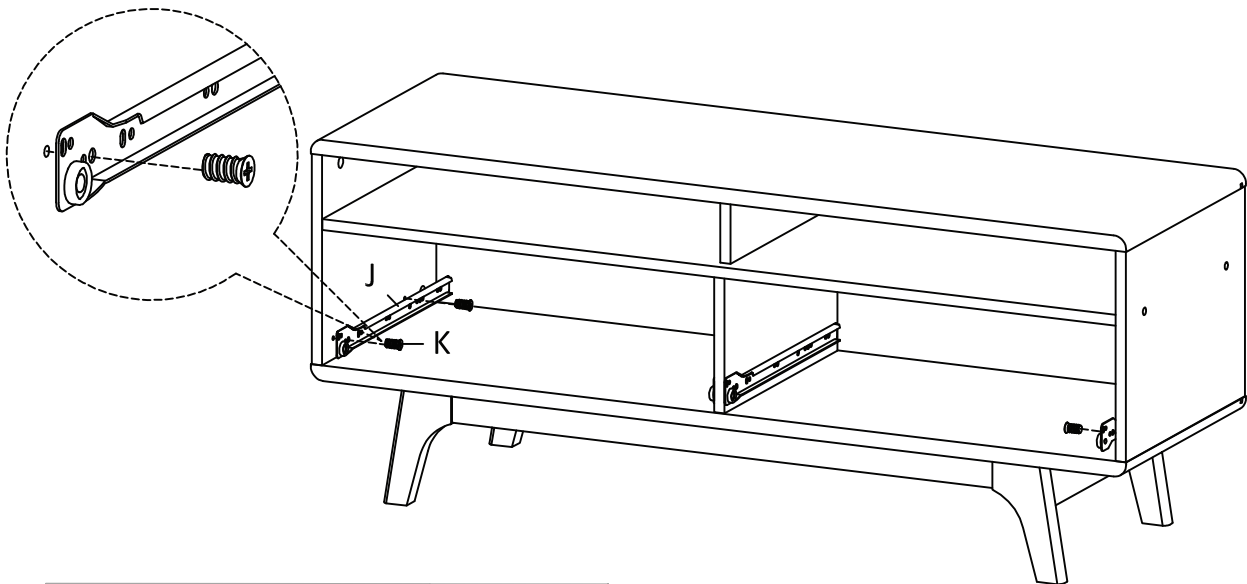
STEP 13:

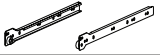



	
Ix6	Qx1

Hardware required. Screwdriver not include

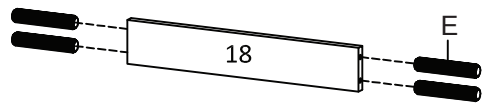
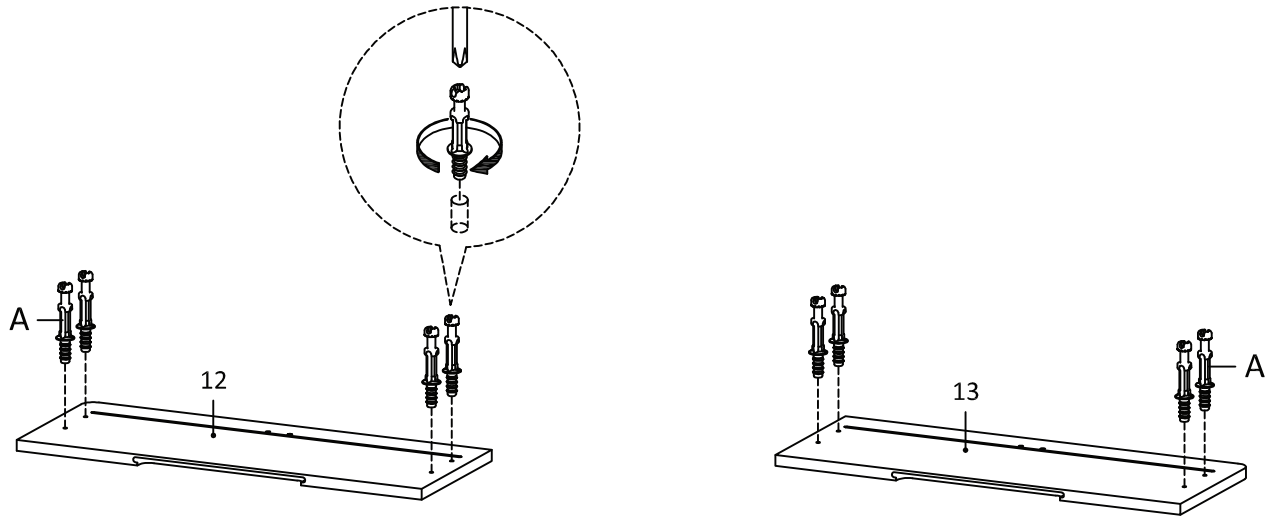
STEP 14:






		
Jx1	Kx4	Qx1

Hardware required. Screwdriver not include

STEP 15:

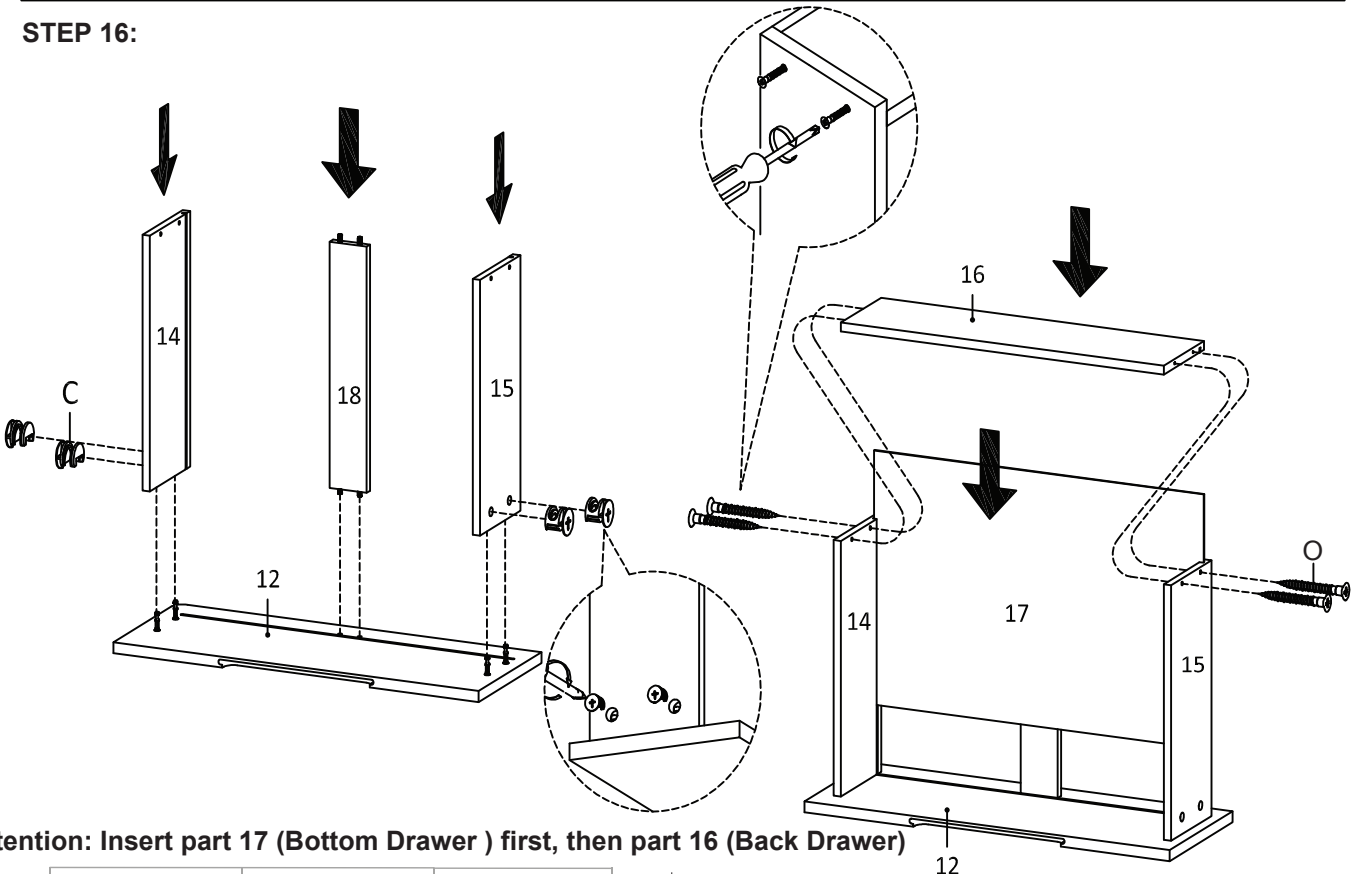


x 2


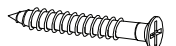
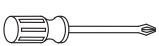
		
Ax8	Ex8	Qx1

Hardware required. Screwdriver not include

STEP 16:

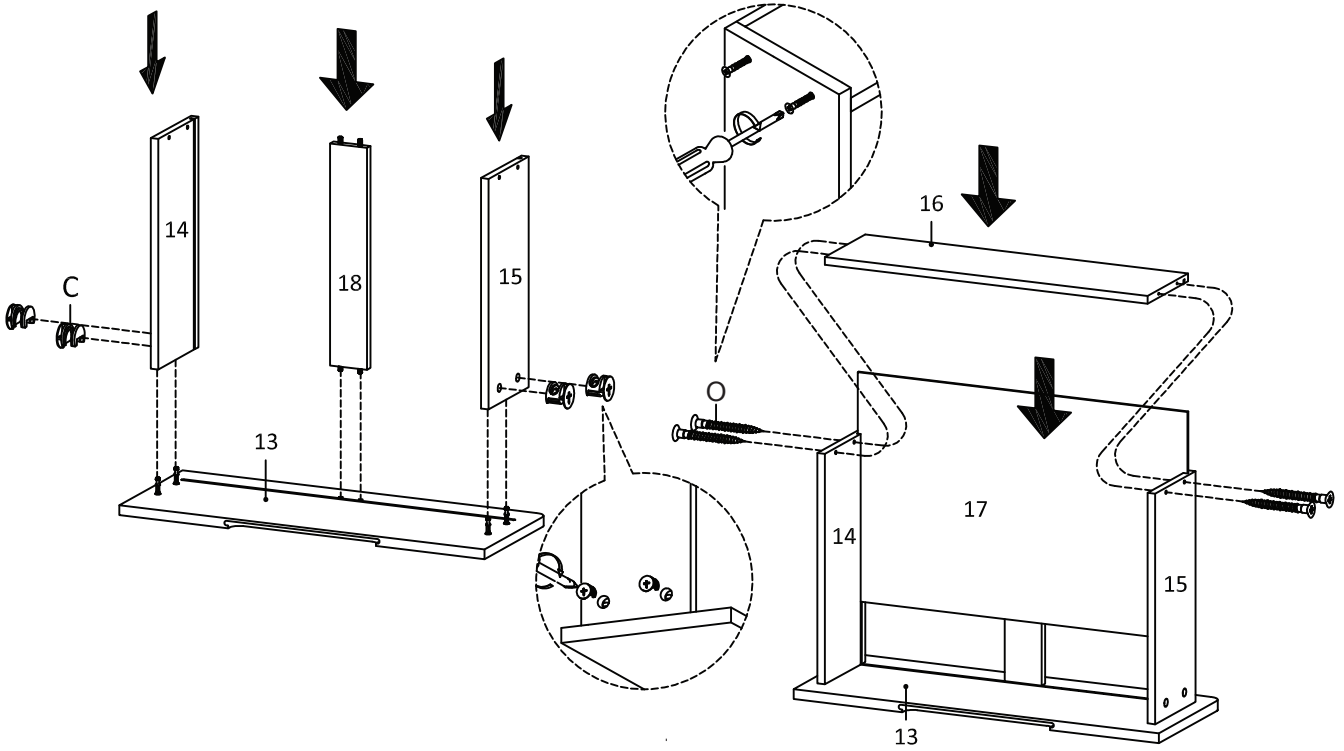


Attention: Insert part 17 (Bottom Drawer) first, then part 16 (Back Drawer)


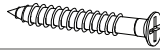
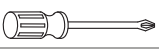
		
Cx4	Ox4	Qx1

Hardware required. Screwdriver not include

STEP 17:

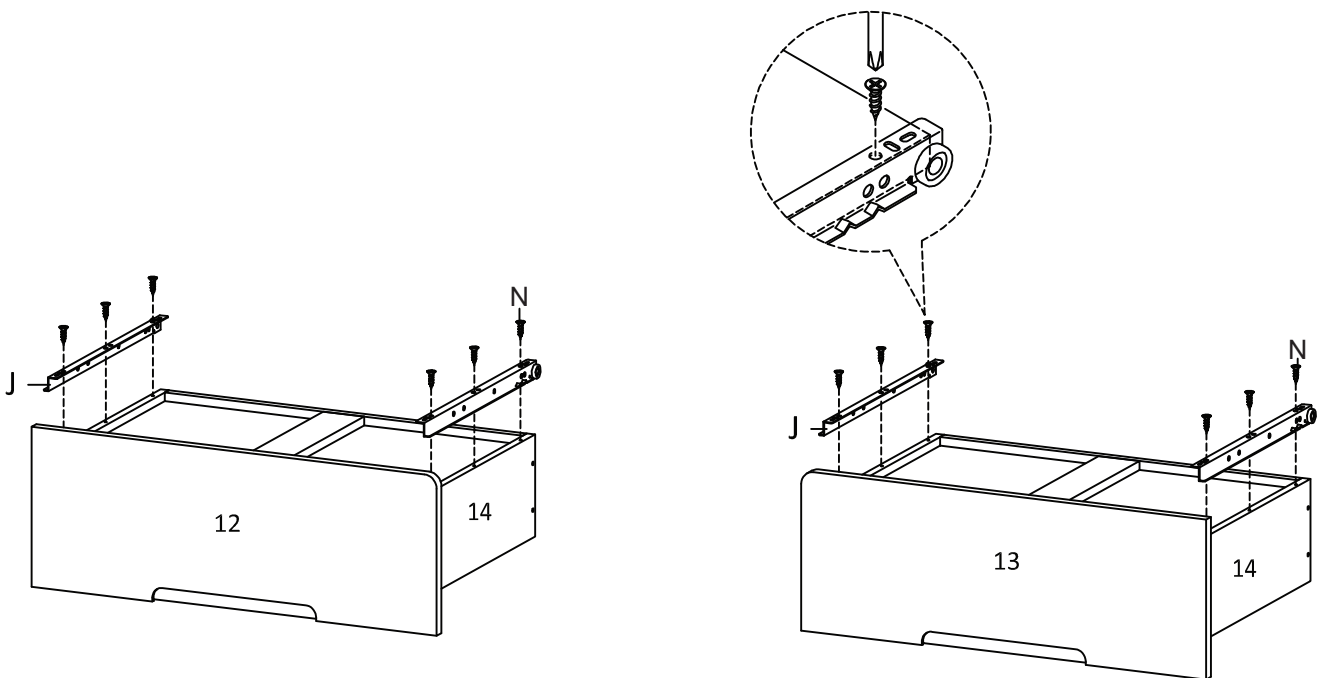


Attention: Insert part 17 (Bottom Drawer) first, then part 16 (Back Drawer)

		
Cx4	Ox4	Qx1

Hardware required. Screwdriver not include

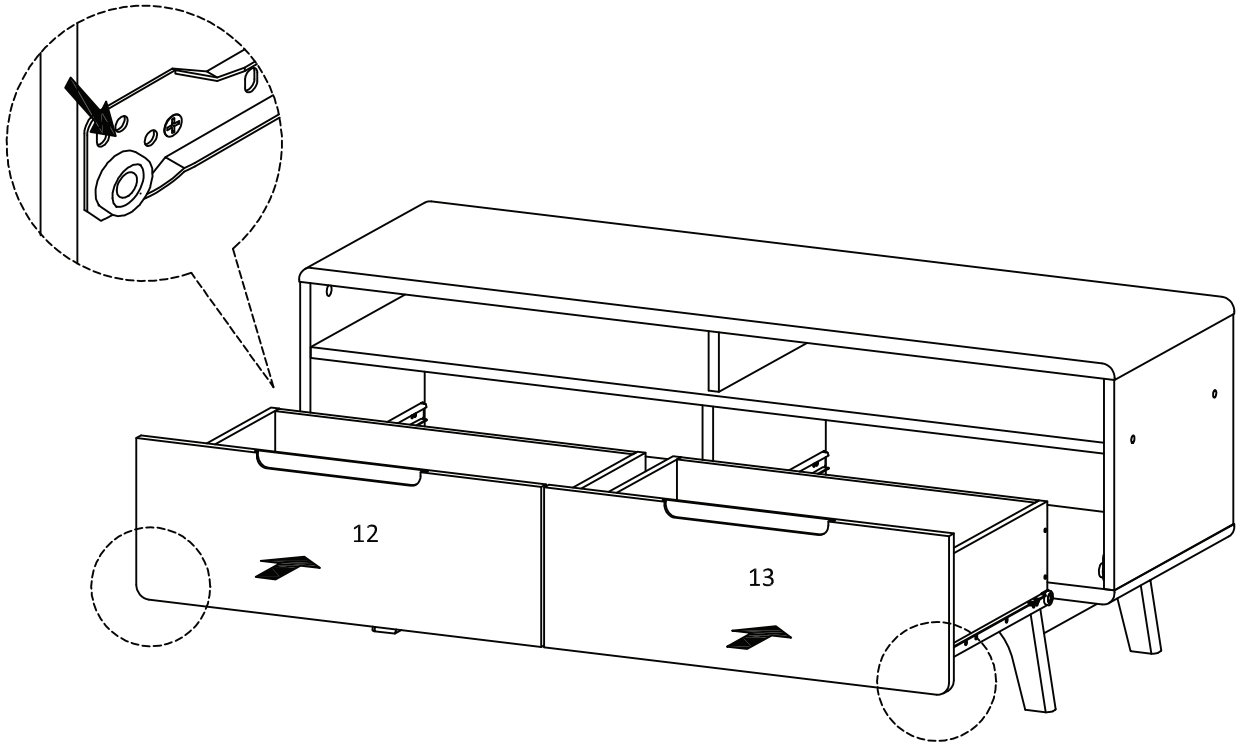
STEP 18:



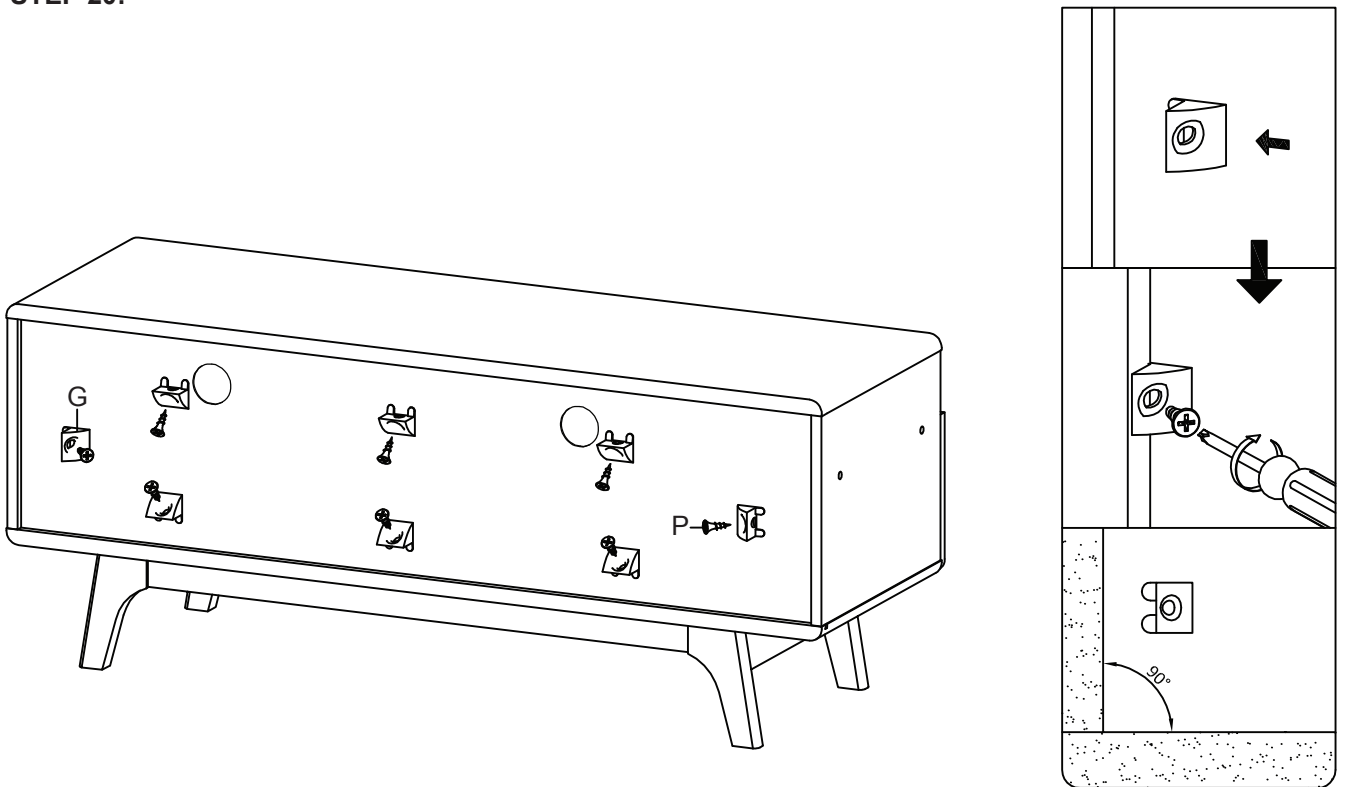
		
Jx2	Nx12	Qx1



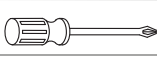
Hardware required. Screwdriver not include

STEP 19:



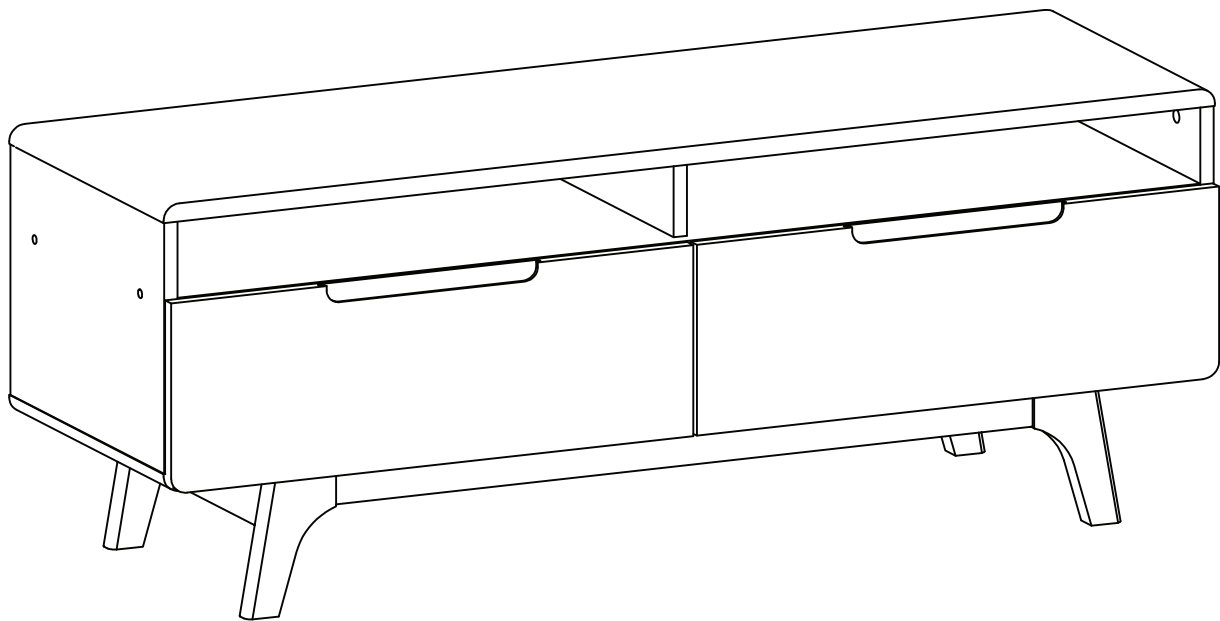
STEP 20:



		
Gx8	Px8	Qx1

Hardware required. Screwdriver not include

STEP 21:



Assembly is completed. The TV Stand is ready to enjoy now !