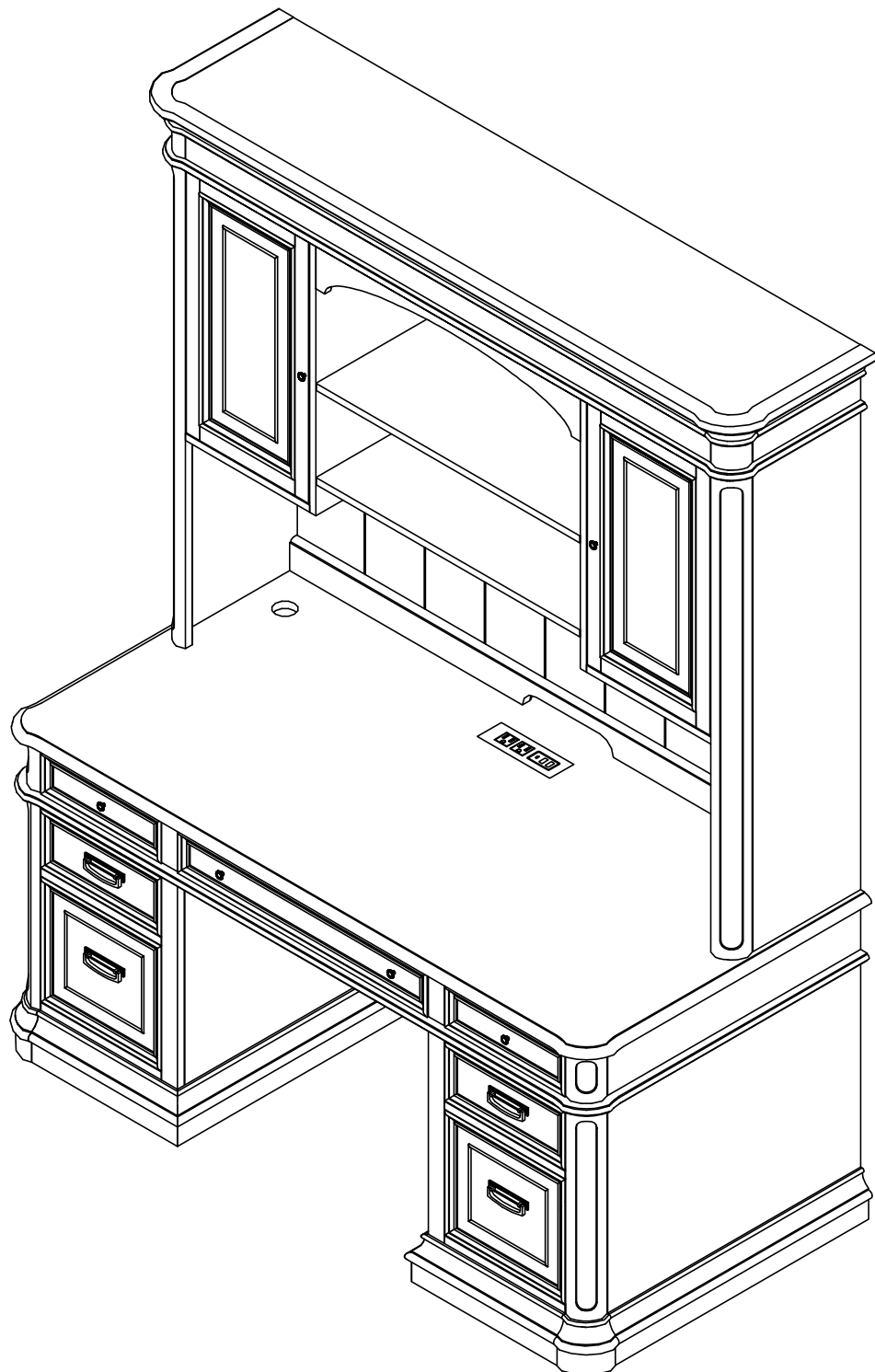
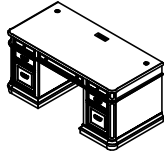
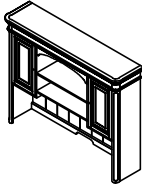




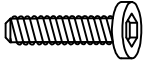
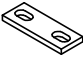




# WINCHESTER ASSEMBLY INSTRUCTIONS



PARTS LIST

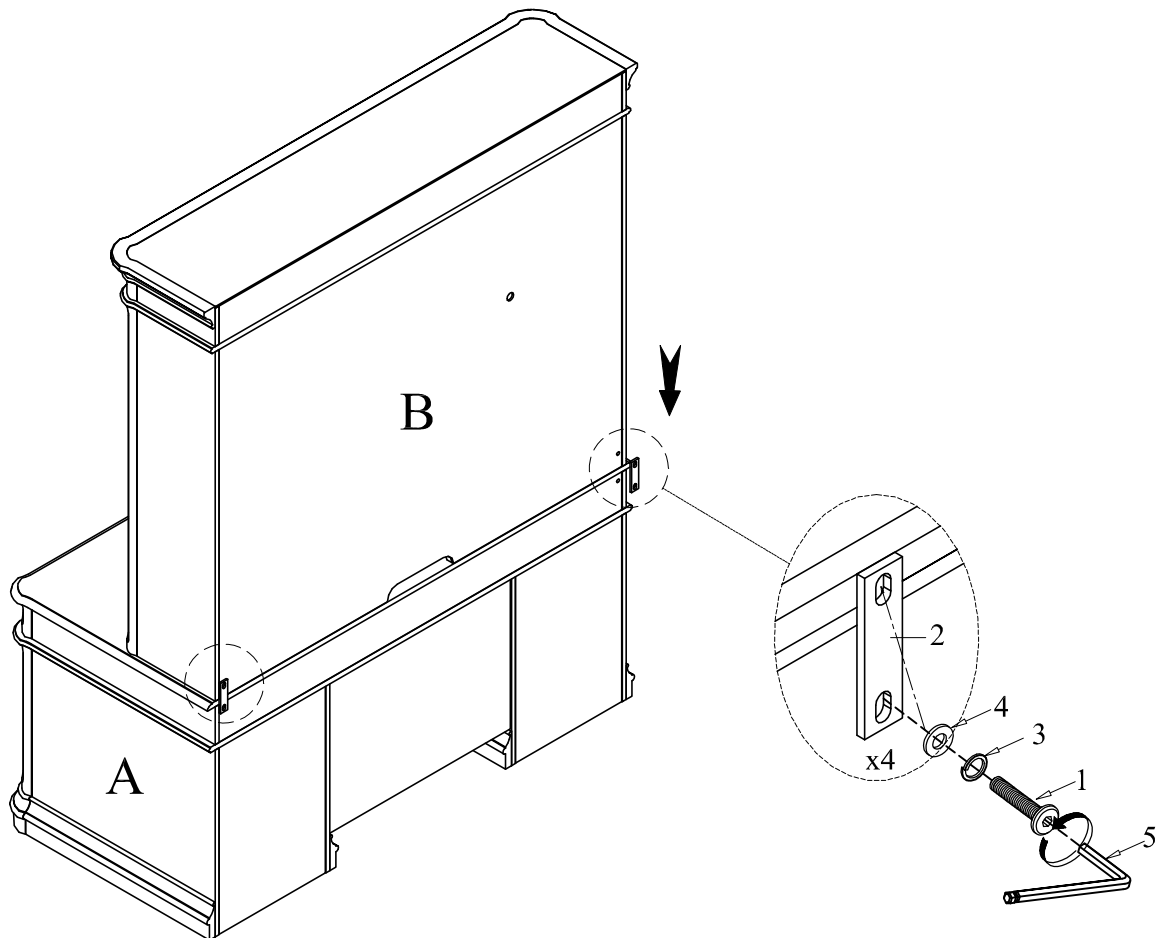
LABEL	PICTURE	DESCRIPTION	QTY
A		Credenza Desk	1
B		Hutch	1





HARDWARE

LABEL	PICTURE	DESCRIPTION	QTY
1		Allen Bolt M1/4"*3/4"	4
2		Connecting bracket	2
3		Spring washer M1/4*Ø10mm	4
4		Flat washer M1/4*Ø19mm	4
5		Allen Key 4mm	1
6		Anti-tip kit	1

ASSEMBLY STEPS

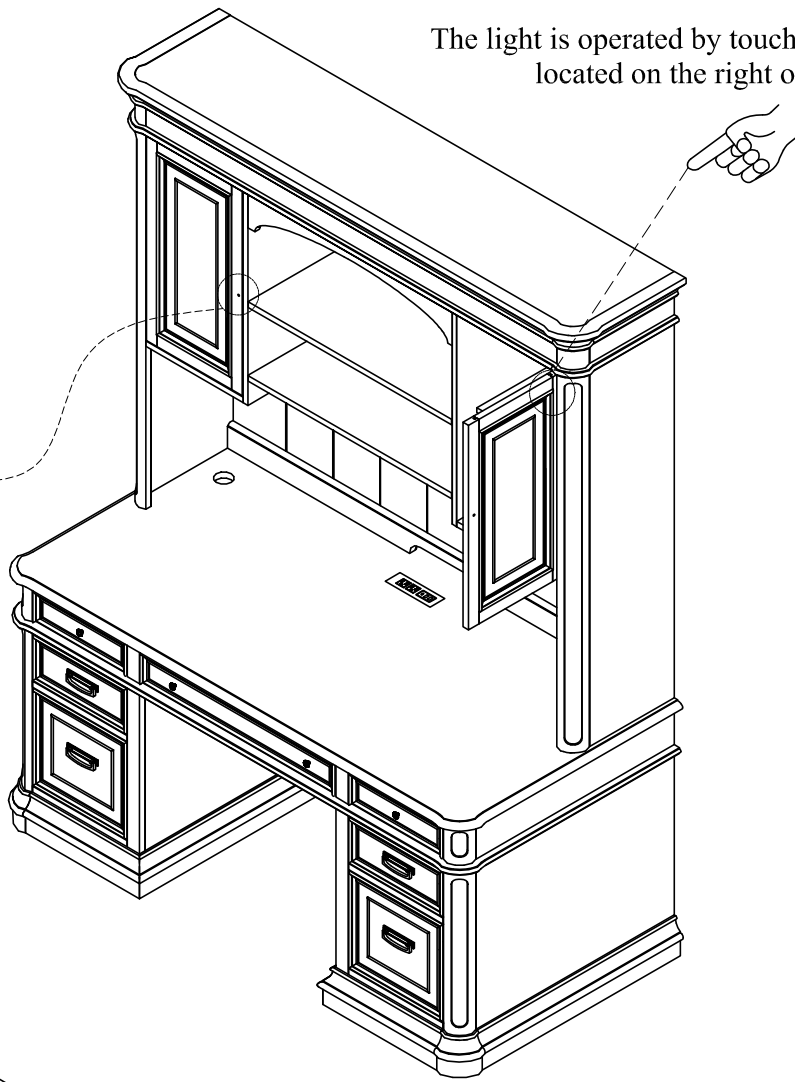
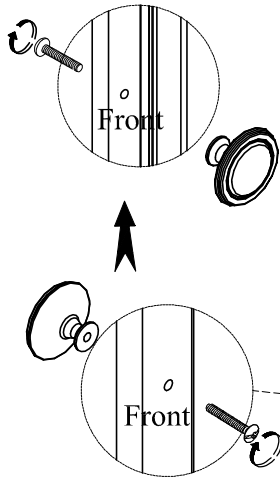
STEP 1: Attach the Credenza Desk (A) on the Hutch (B)



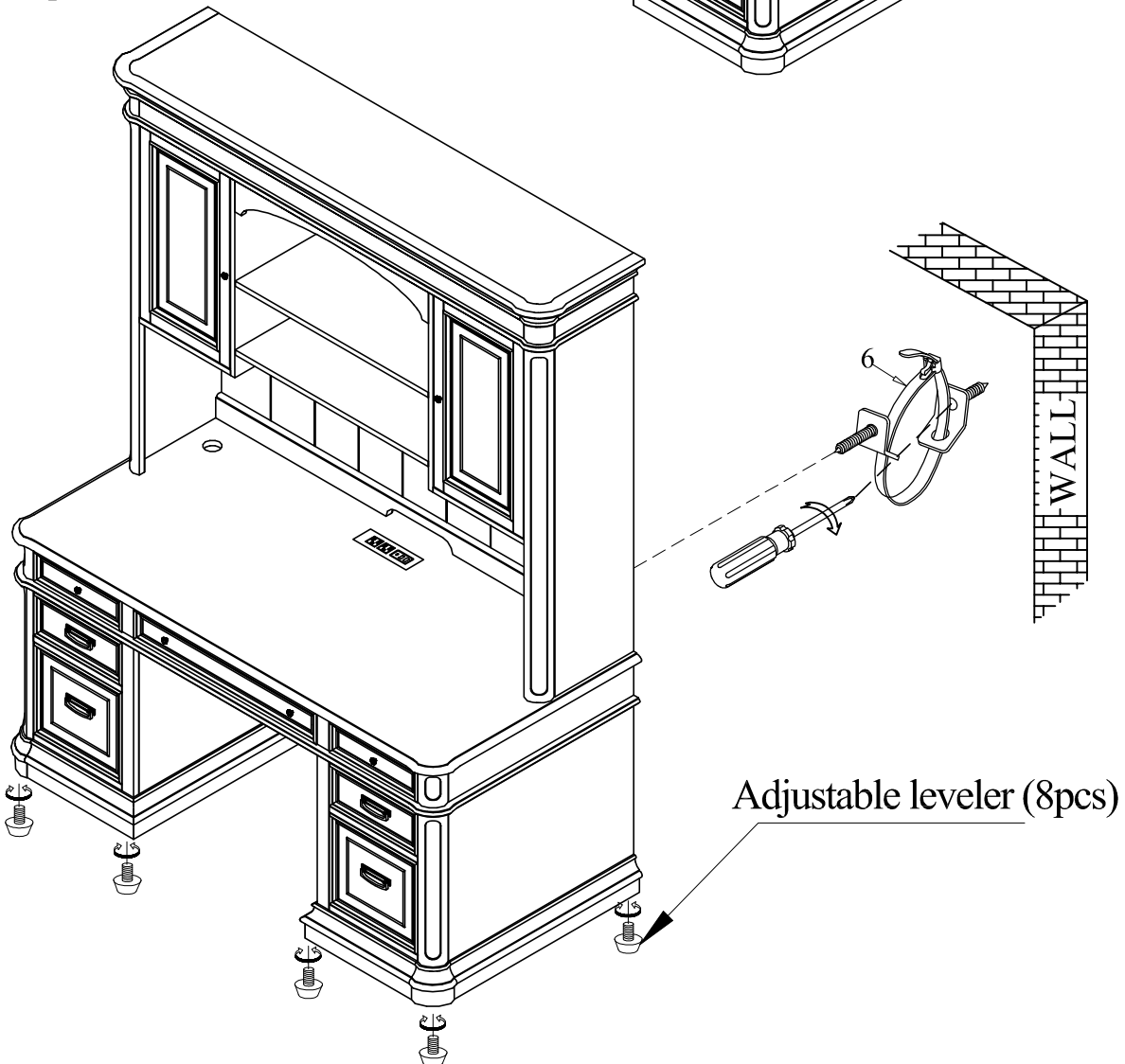
-  **Read instructions cover to cover**
-  **Have two adults on hand for assembly**
-  **Do not assemble on flooring or carpet. Assemble on a clean non - marring surface (ex: packing foam)**
-  **Save all packing until assembly is completed**

STEP 2

The light is operated by touching the metal button located on the right of the Hutch.



Complete



Adjustable leveler (8pcs)

## CARE & MAINTENANCE

---



Do not put hot items directly on furniture surface.



Do not clean furniture with harsh cleansers or polish.



Dust and wipe up spills using a clean, non-colored, lint-free cloth.



Stains may be removed with a mild soap solution and a damp cloth.



Do not place furniture under direct sunlight.



Do not place furniture near heating or cooling vents.



Do not write on furniture without a padded barrier to protect the surface.



Do not place furniture outside, for indoor use only

**If you are having any issues with the lighting please contact the Vantage customer service team at 844-244-3810**