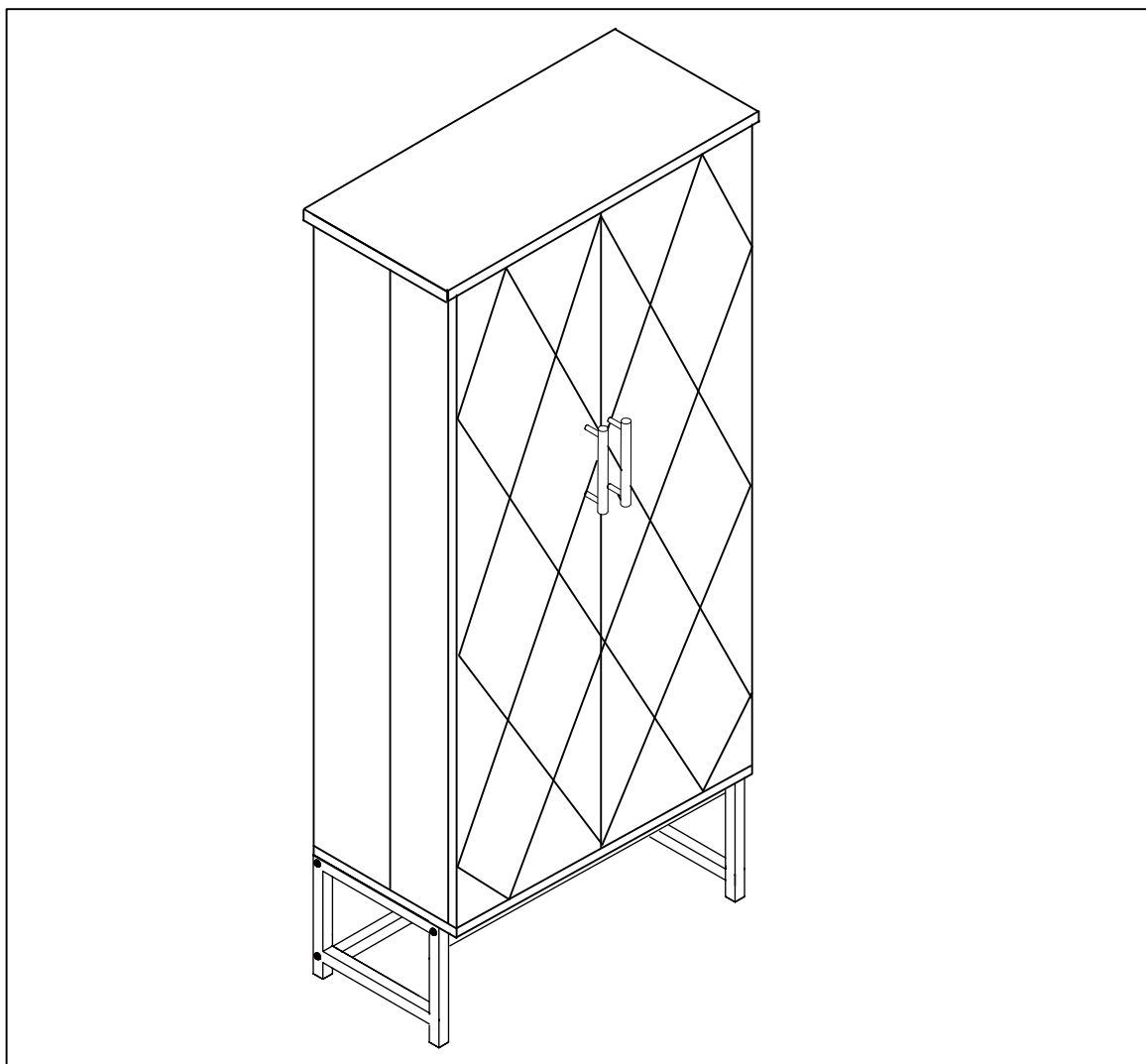


Herramientas requeridas  
(no incluidas)

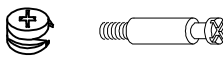

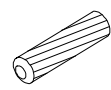



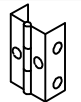
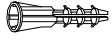


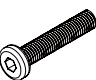
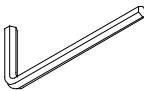


2 personas  
para el armado

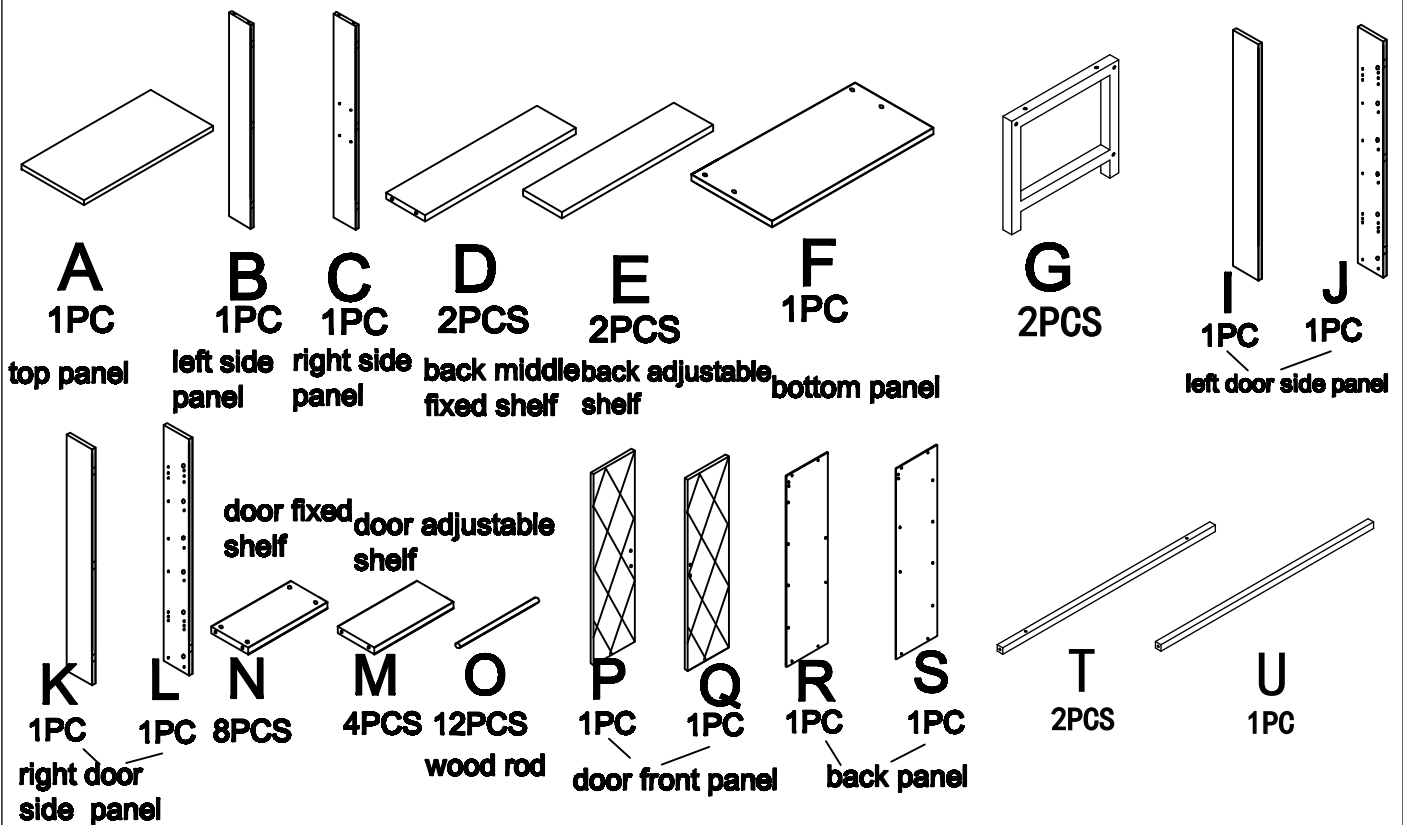


# Assembly Instructions

## Hardware Provided

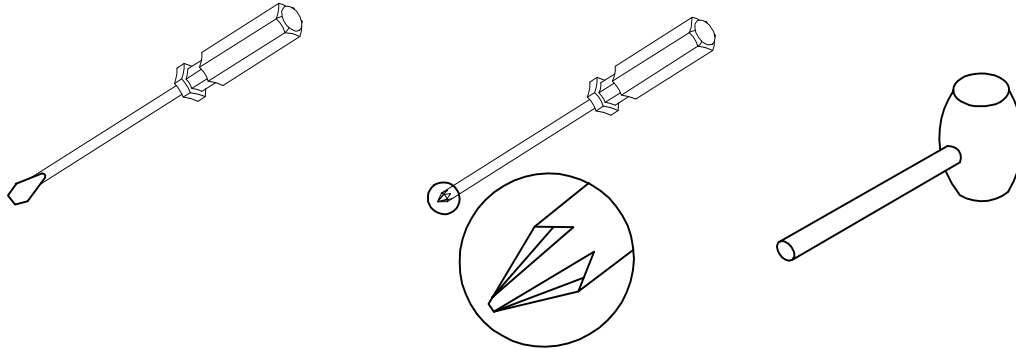
<b>a</b>	 Cam lock set	44 SETS +8 Extra Part	<b>f</b>	 Wood knob	2PCS 2SETS
<b>b</b>	 Wood dowels	32 PCS	<b>g</b>	 Magnet	2PCS 2SETS
<b>c</b>	 Metal screw	26 PCS +4 Extra Part	<b>h</b>	 Hook	2PCS 2SETS
<b>d</b>	 Hinge	6PCS 6SETS	<b>i</b>	 Anchor	1PC 2SETS
<b>e</b>	 Metal shelf holder	24PCS +4 Extra Part	<b>j</b>	 Magnet	2PCS 2SETS
<b>k</b>	 Wood rod	12PCS	<b>l</b>	 L-shaped metal piece	1PC

## Parts Identification

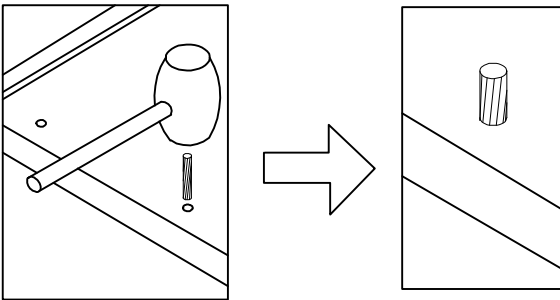


# Assembly Instructions

## ASSEMBLY TOOLS REQUIRED (NOT INCLUDED)



### Wooden dowel installation



**Gently tap dowel into hole with rubber mallet.**

**\* Before discarding packing materials, please check all parts and hardware are presented.**

**\* Please follow the instructions closely.**

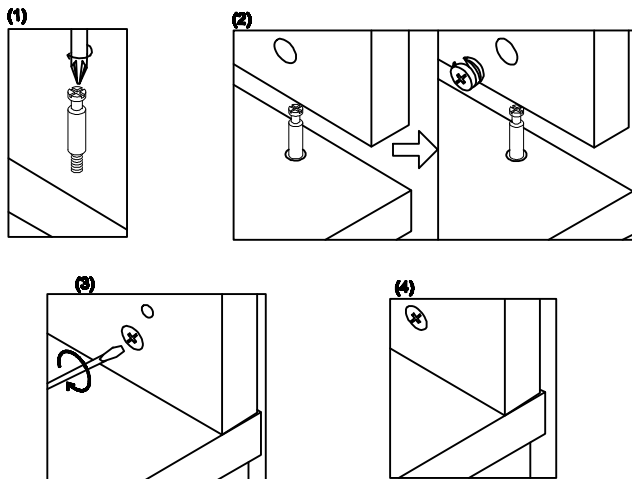
**\* After few days of initial assembly, the product may has acclimated to new environment, please tighten all hardware again.**

### Hidden connector.....

### Assembly Techniques

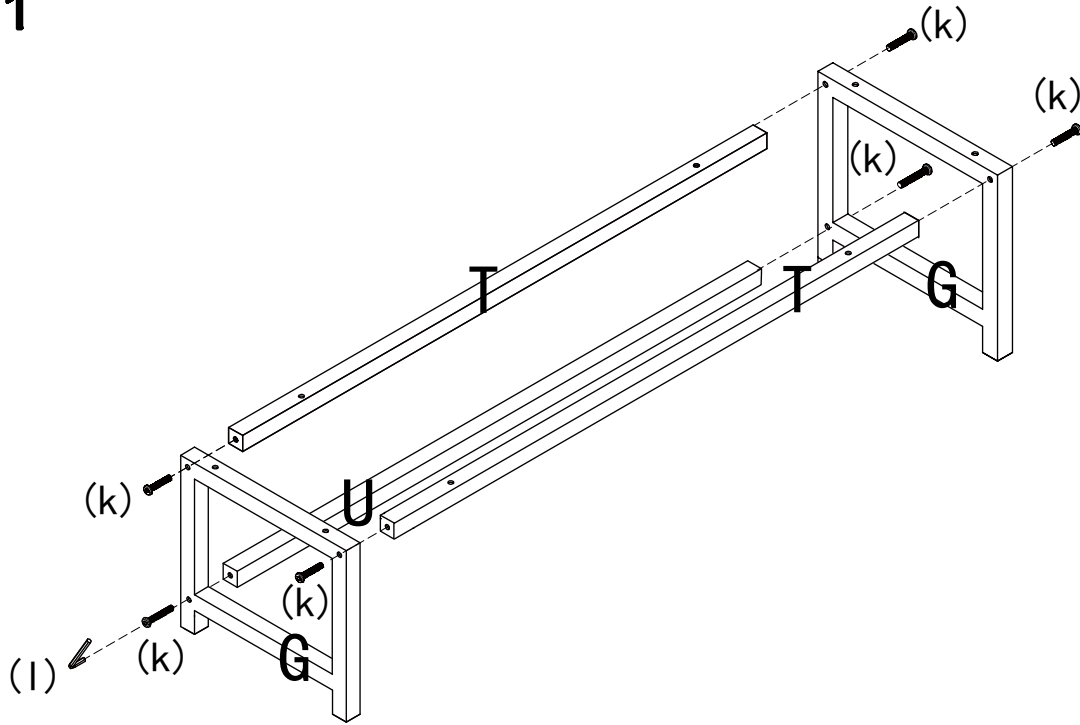


2 personas  
para el armado

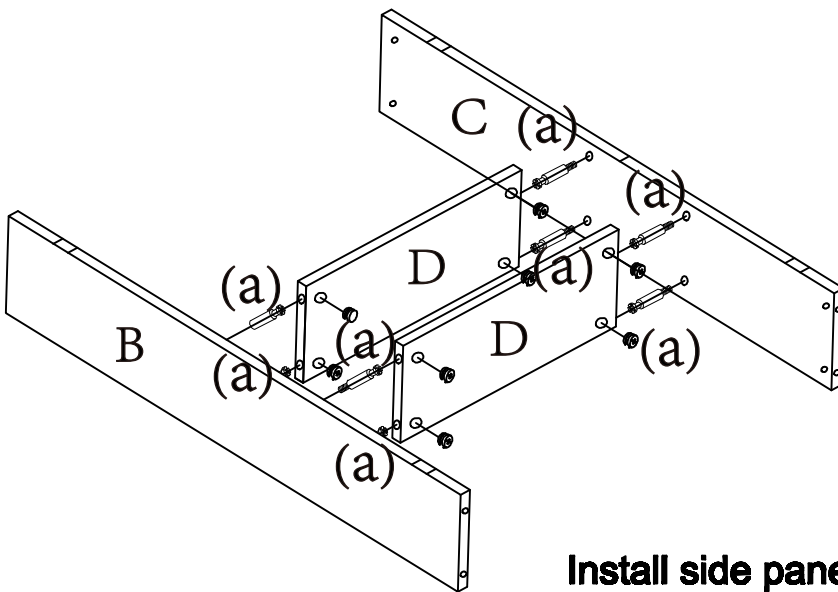


# Assembly Instructions

## Step 1



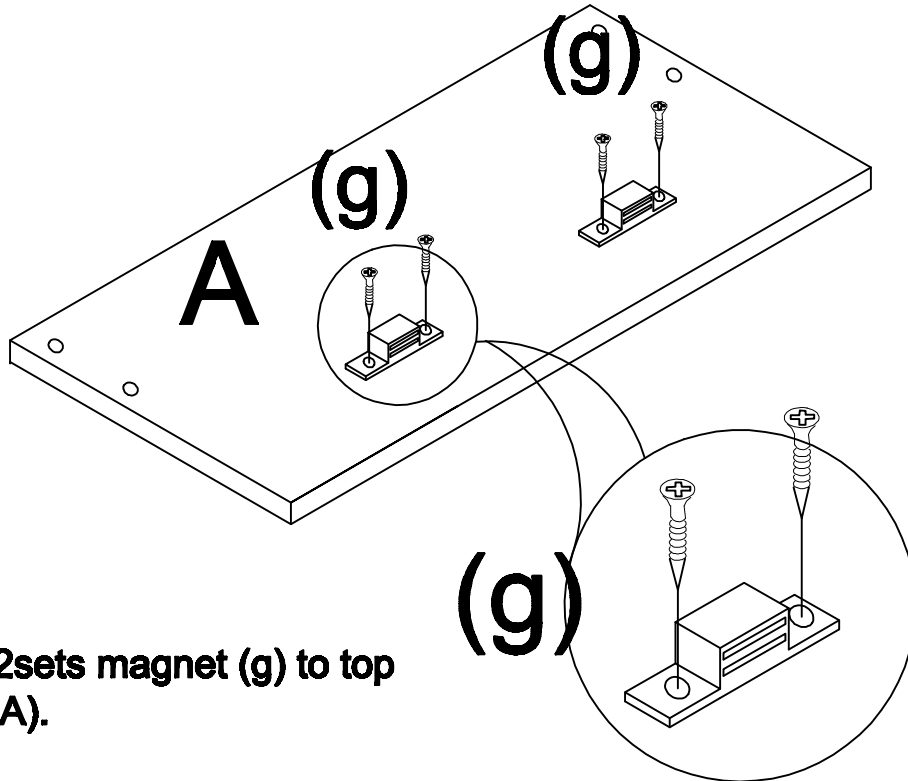
## Step 2



**Install side panels (B&C) and middle fixed shelves (D) by using 8sets cam locks (a).**

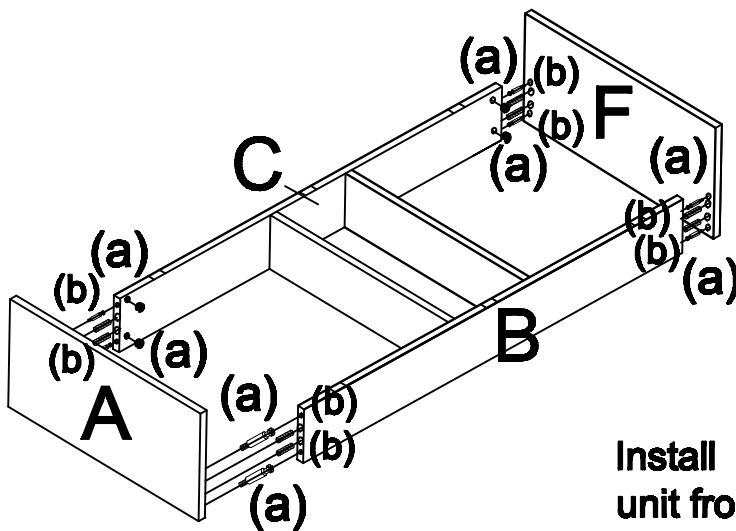
# Assembly Instructions

## Step 3



Install 2sets magnet (g) to top panel (A).

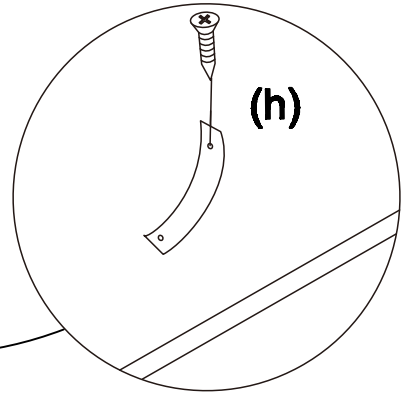
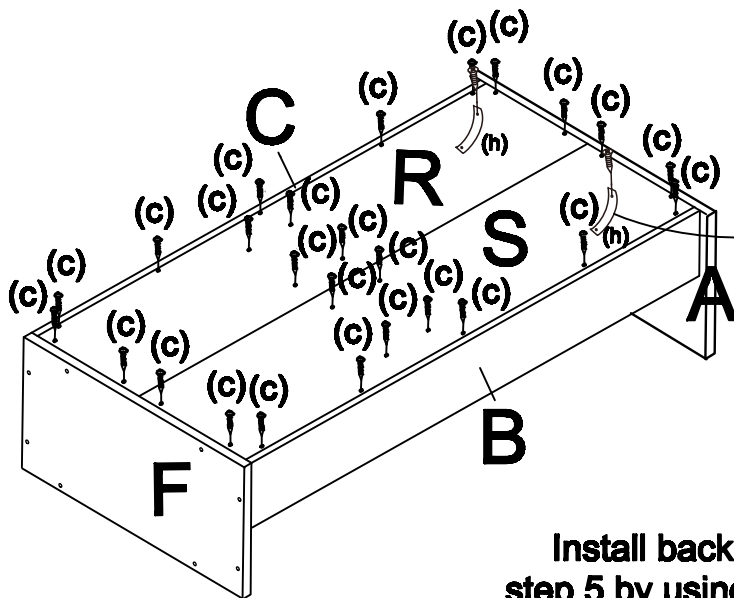
## Step 4



Install the unit from step 4 and the unit from step 2 to unit from step 3 by using 4pcs cam lock (b) and 8 sets cam locks (a).

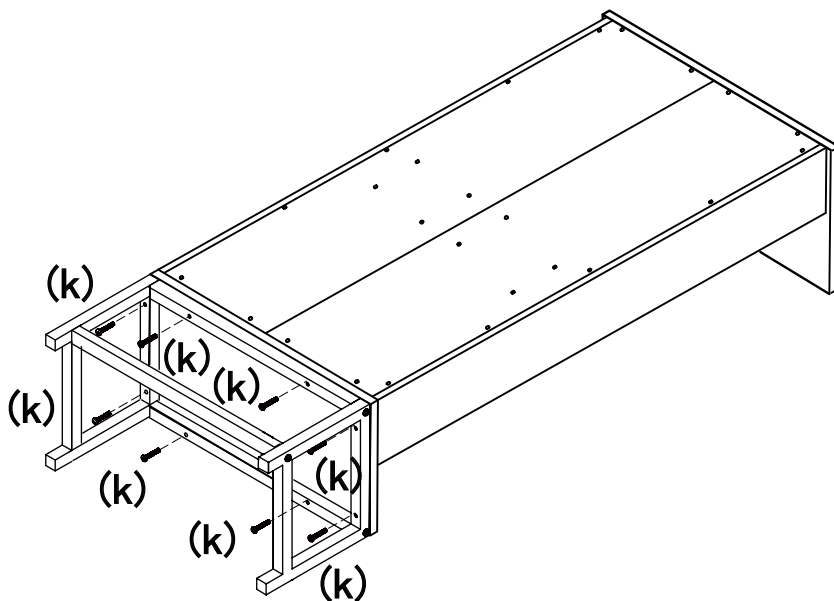
# Assembly Instructions

## Step 5



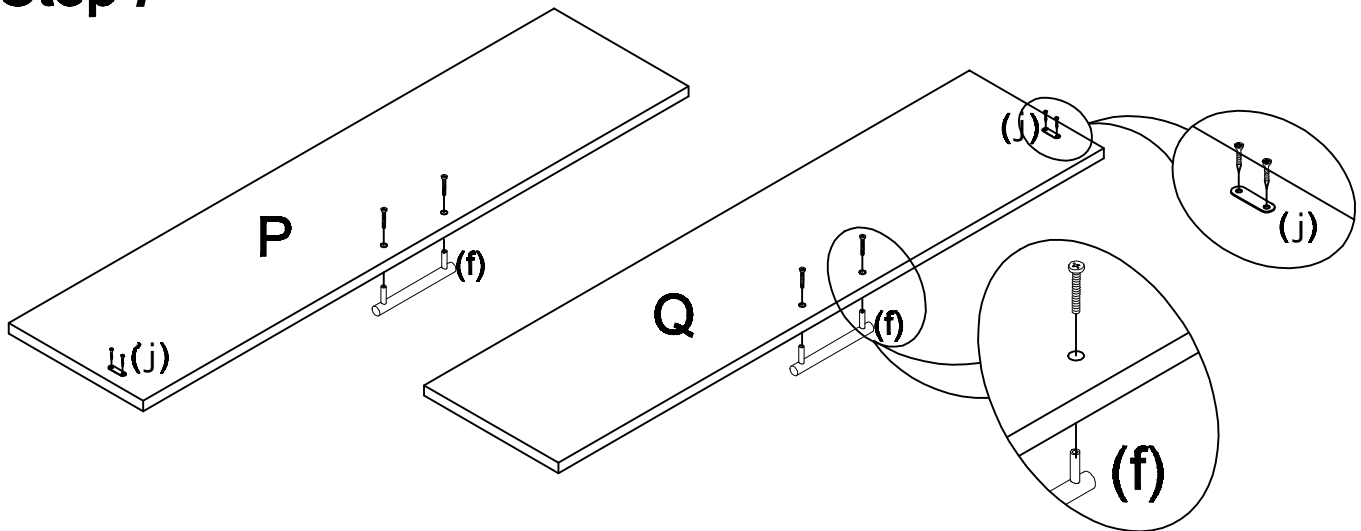
Install back panels (S&R) to the unit from step 5 by using 26pcs metal screw (c), then assemble 2sets hooks (h) to the unit.

## Step 6



# Assembly Instructions

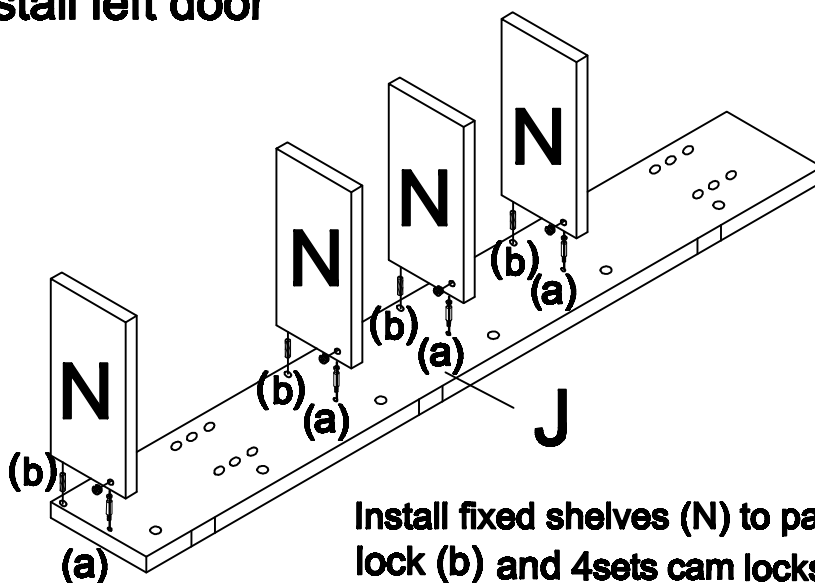
## Step 7



Install 2sets magnets (j) and 2sets handles (f) to panels (P & Q).

## Step 8

Install left door

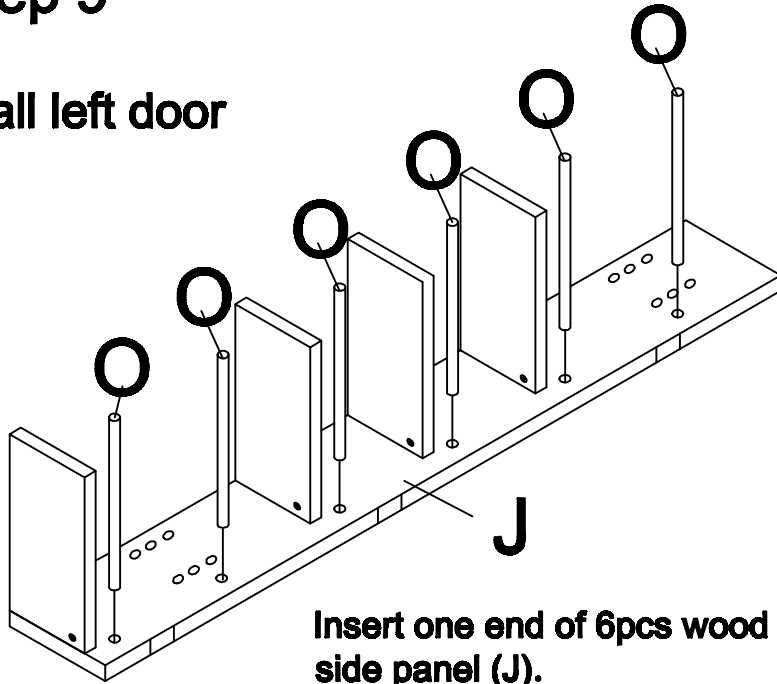


Install fixed shelves (N) to panel (J) by using 4pcs cam lock (b) and 4sets cam locks (a).

# Assembly Instructions

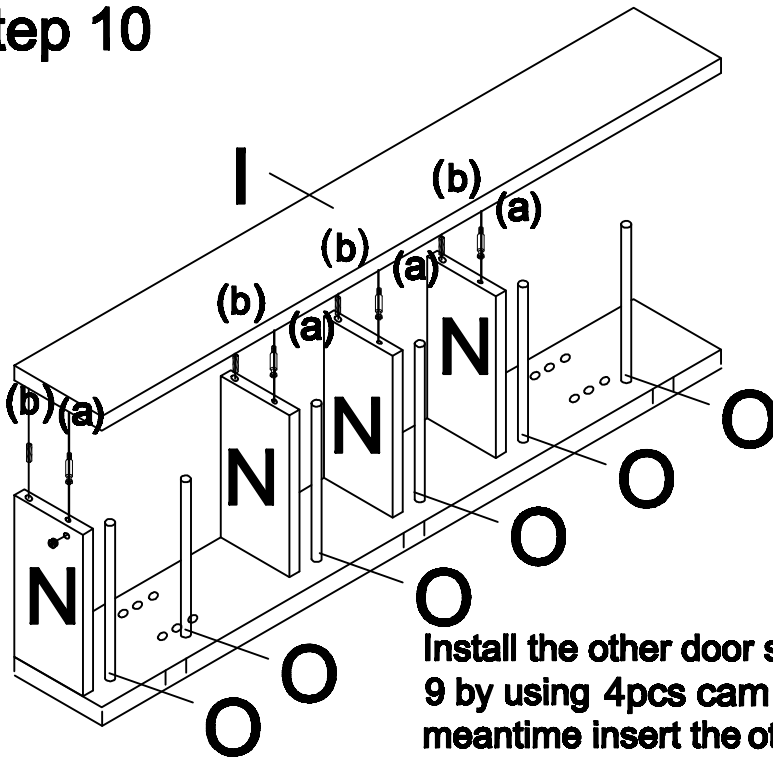
## Step 9

Install left door



Insert one end of 6pcs wood rods (O) to holes on door side panel (J).

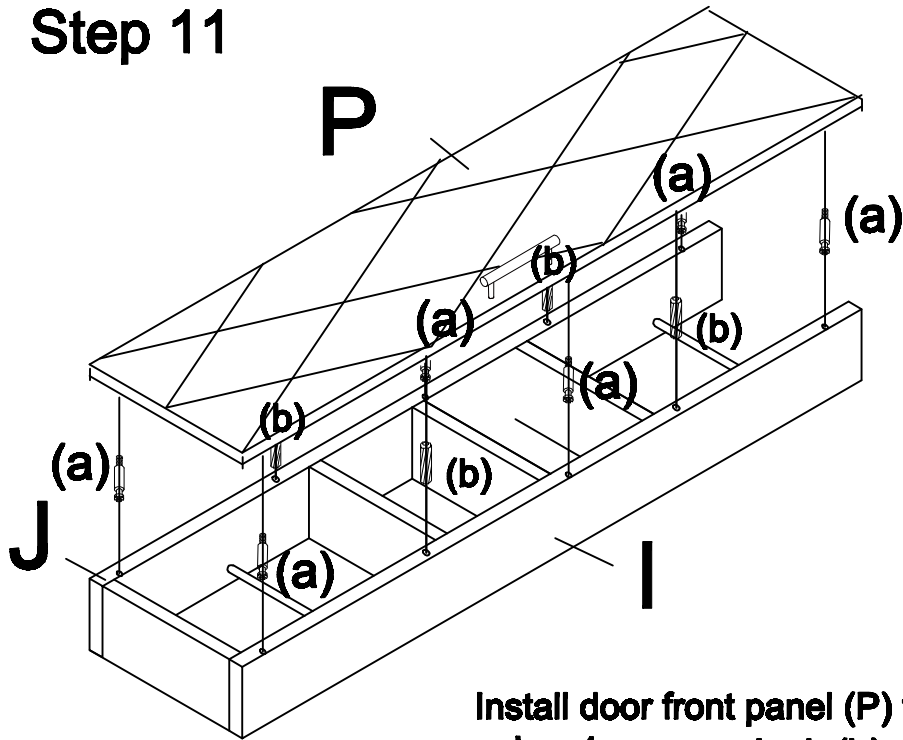
## Step 10



Install the other door side panel (I) to the unit from step 9 by using 4pcs cam lock (b) and 4sets cam locks (a), meantime insert the other end of rods (O) to holes on panel (I).

# Assembly Instructions

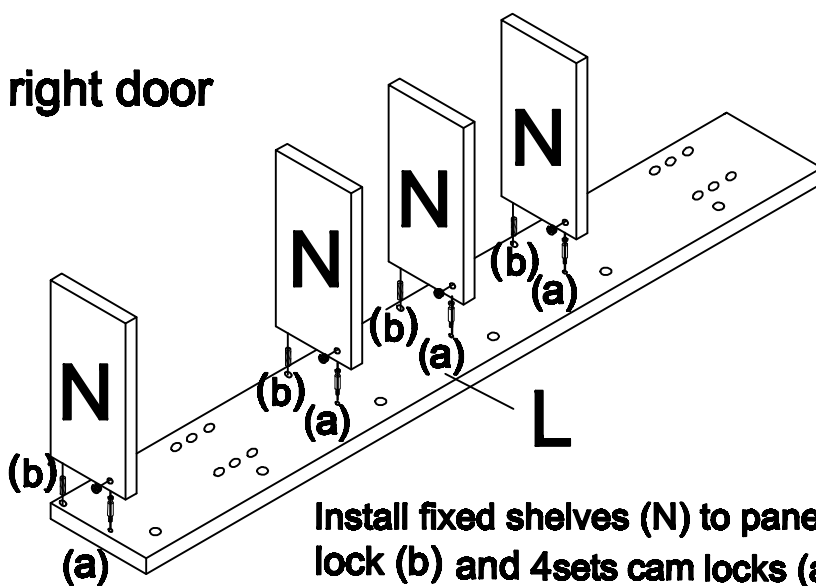
## Step 11



Install door front panel (P) to the unit from step 10 by using 4pcs cam lock (b) and 6 sets cam locks (a).

## Step 12

Install right door

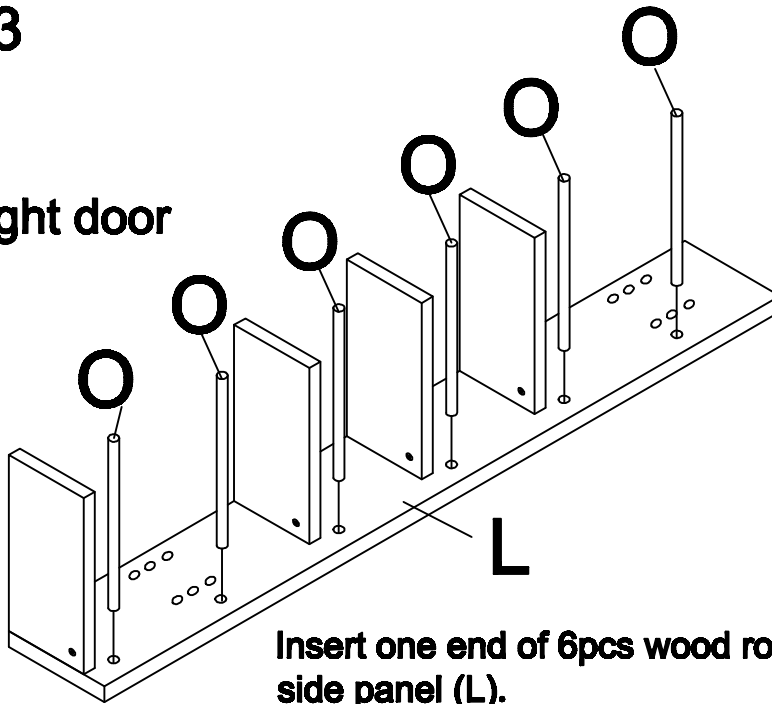


Install fixed shelves (N) to panel (L) by using 4pcs cam lock (b) and 4sets cam locks (a).

# Assembly Instructions

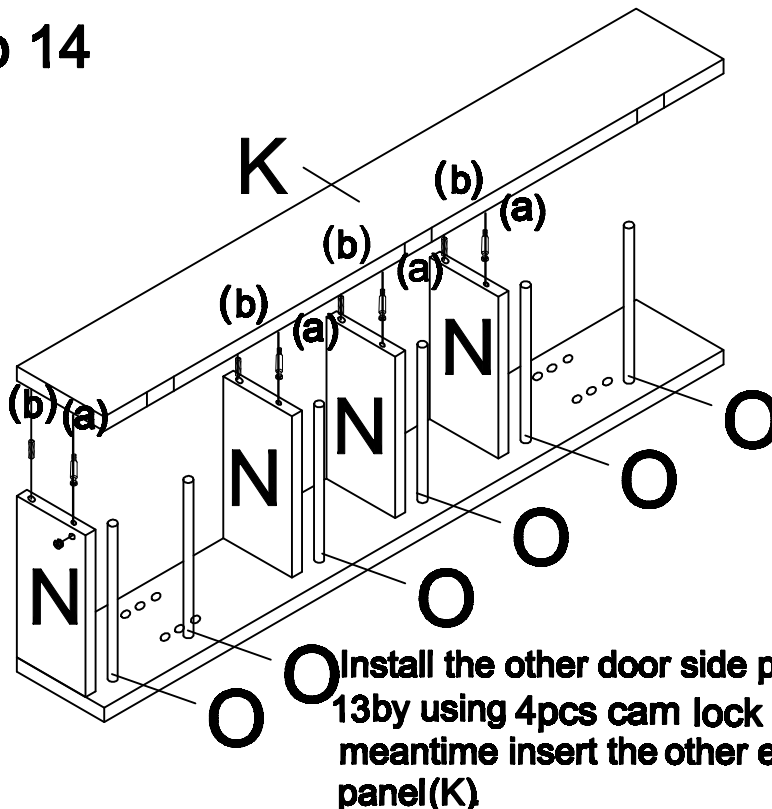
## Step 13

Install right door



Insert one end of 6pcs wood rods (O) to holes on door side panel (L).

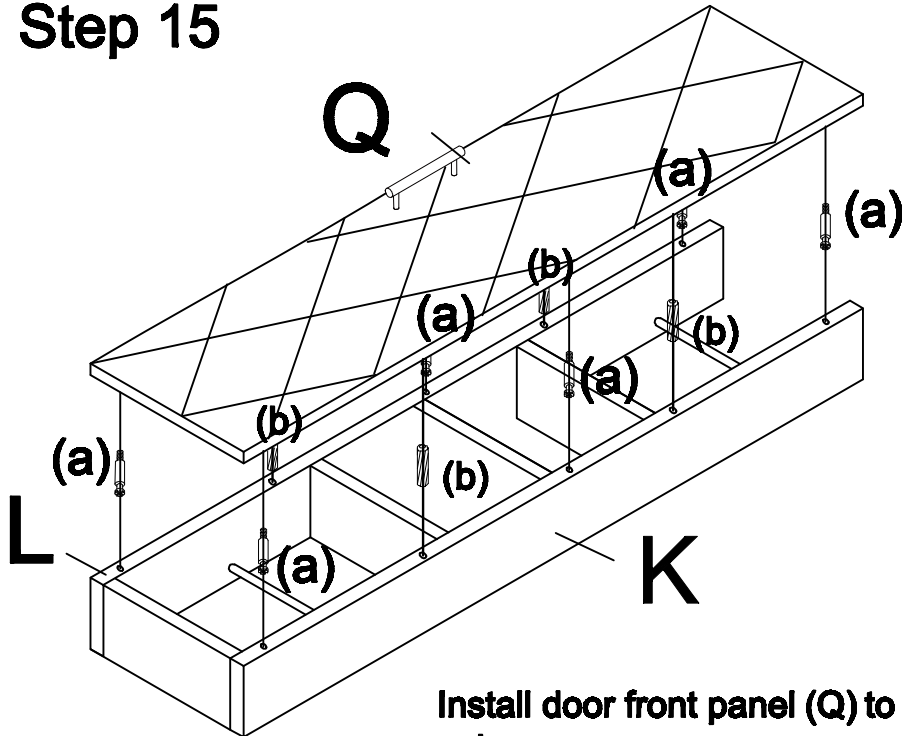
## Step 14



Install the other door side panel (K) to the unit from step 13 by using 4pcs cam lock (b) and 4sets cam locks (a), meantime insert the other end of rods (O) to holes on panel (K).

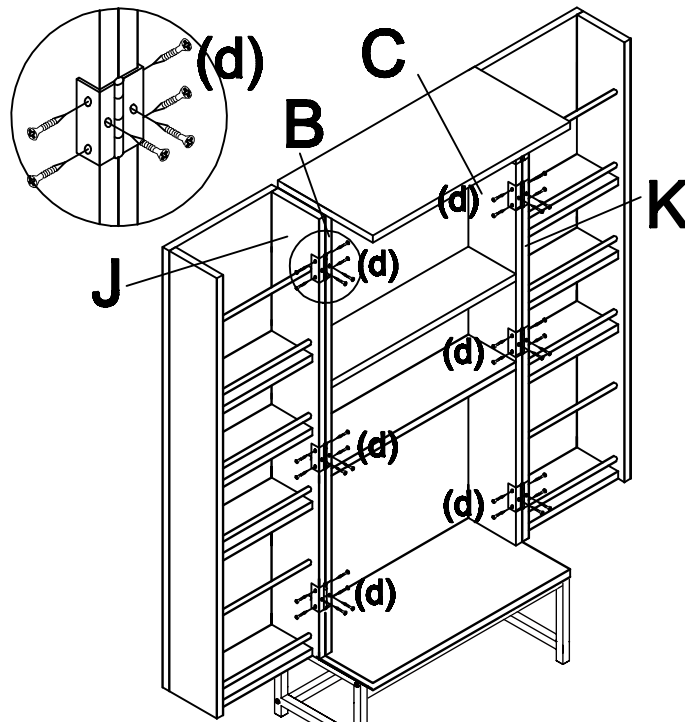
# Assembly Instructions

## Step 15



Install door front panel (Q) to the unit from step 14 by using 4 pcs cam lock (b) and 6 sets cam locks (a).

## Step 16

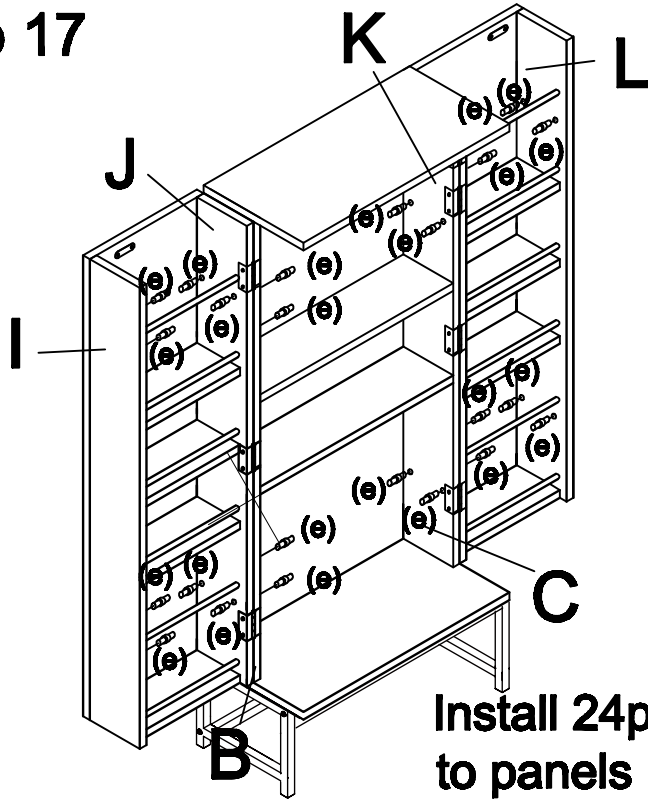


  
2 personas  
para el armado

Install panels (J&B) and (K&C) by using 6sets hinges (d).

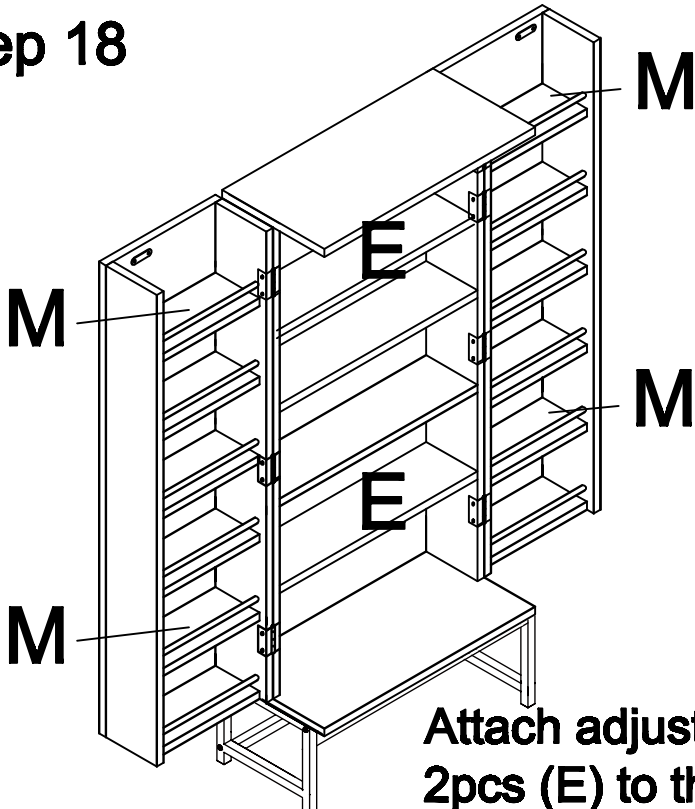
# Assembly Instructions

## Step 17



Install 24pcs metal shelf holder (e) to panels (B,C,I,J,K&L).

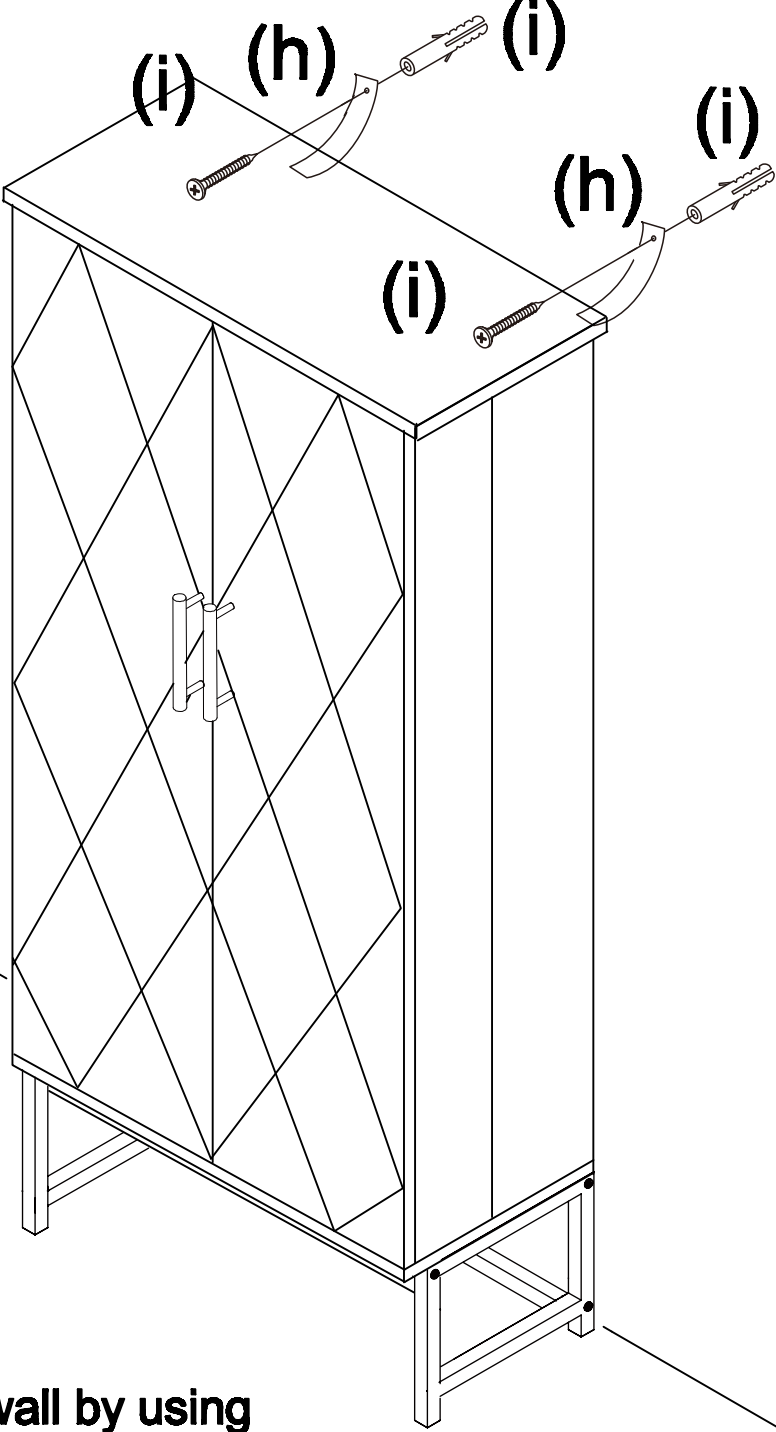
## Step 18



Attach adjustable shelves 4pcs (M) and 2pcs (E) to the unit from step 17.

# Assembly Instructions

## Step 19



Install the unit to the wall by using hook (h) and anchor (i).