

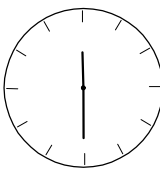


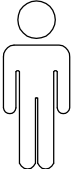


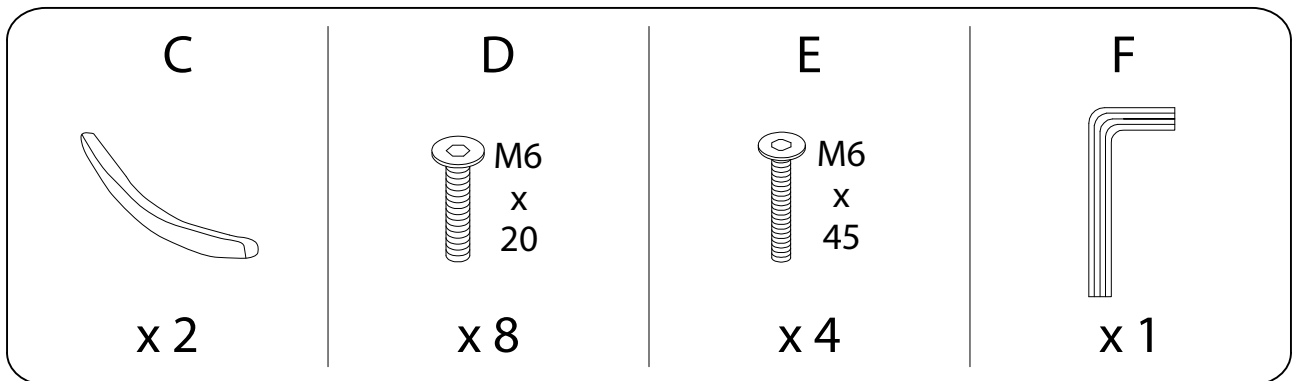
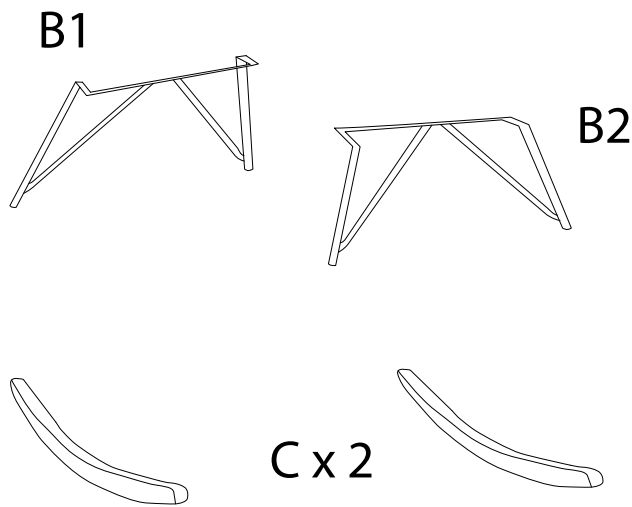
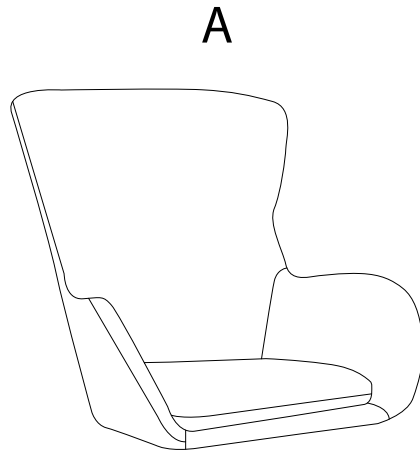
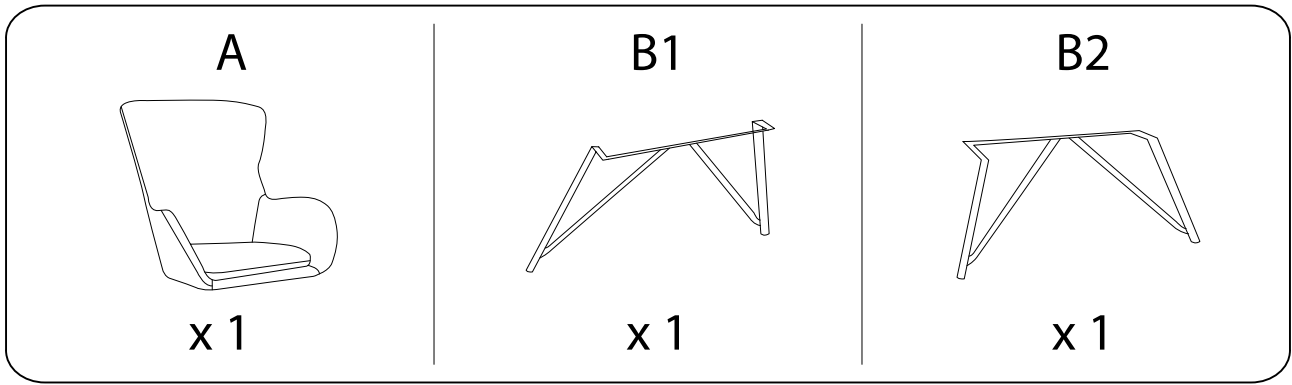
Assembly instructions for the rocking chair, including safety warnings, time estimate, and person count.

Warning 1: Do not use a power drill. Use an Allen key (shown in a circle) to tighten the screws. 

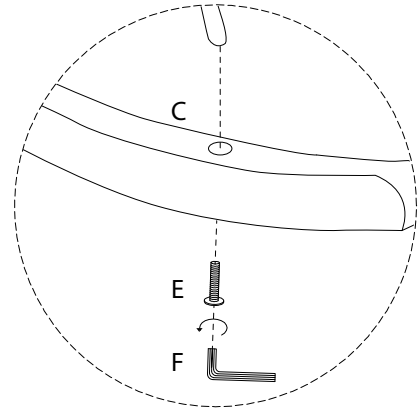
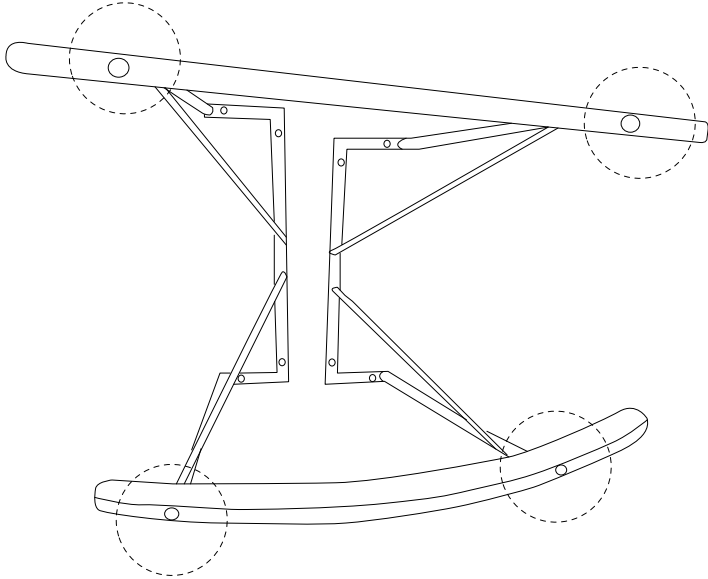
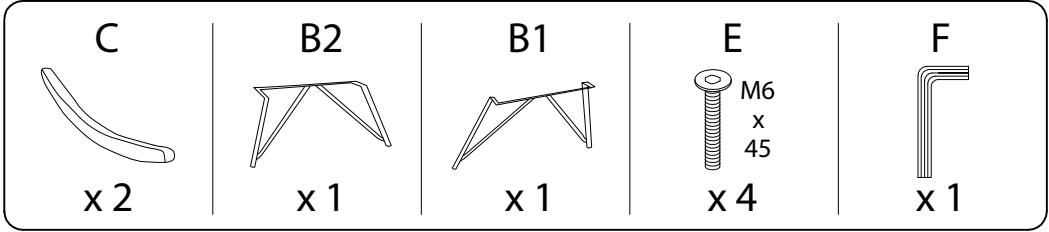
Warning 2: Do not use a power drill to tighten the screws. Use a screwdriver (shown in a circle) to tighten the screws. 

Time Estimate: 30' 

Person Count: 1 



1



2

