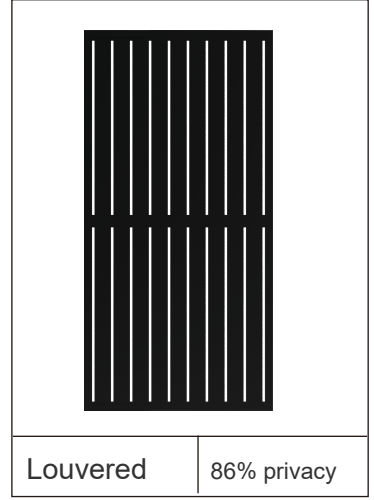
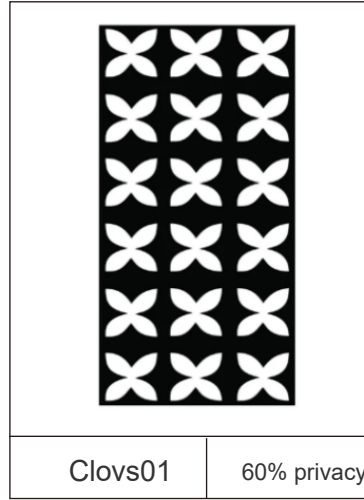
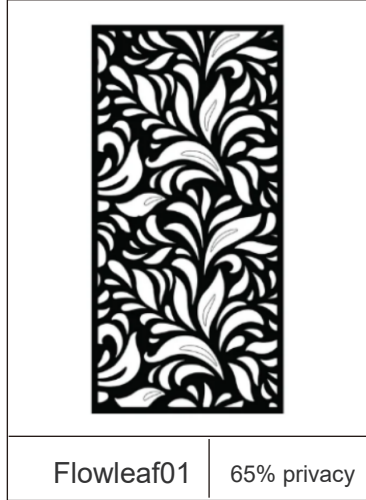
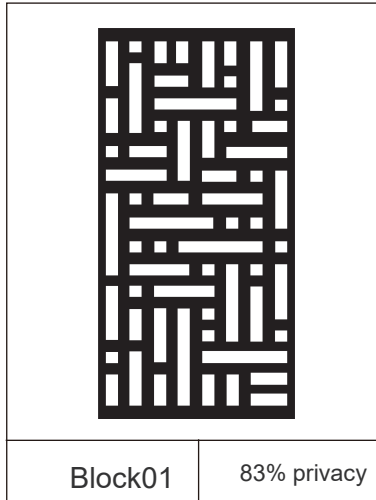


# INSTRUCTION

## Design We have various choices of pattern for you:



Keep updating...



**Question? Concerns? We'd love to hear them!**  
E-mail: [jinmai211211@gmail.com](mailto:jinmai211211@gmail.com) and we will reply within 24 business hours.



**Please read the manual carefully before the assembly**



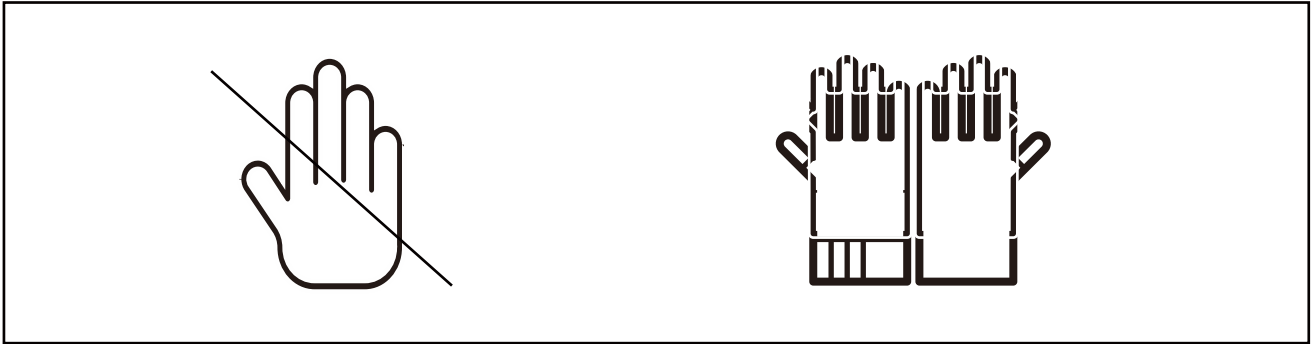
**It's recommended to wear gloves whilst assembling to avoid the accidental harm**



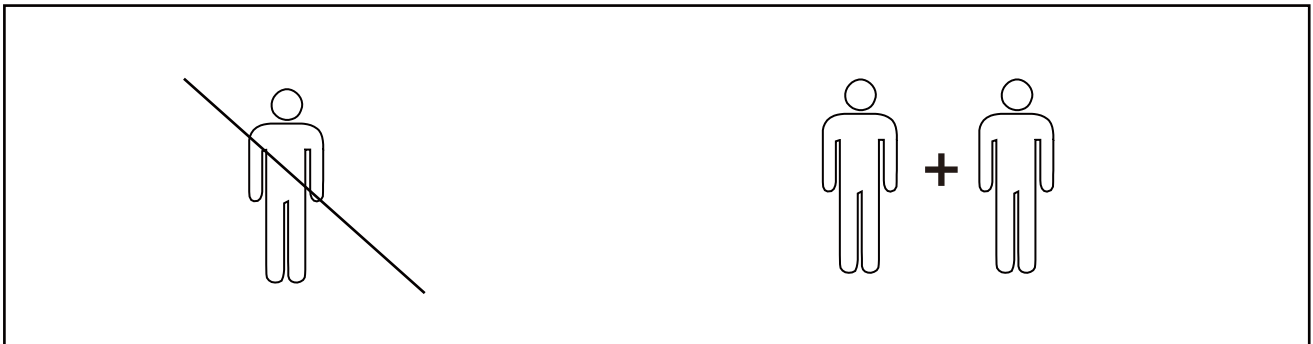
If the privacy screen will be used in a strong wind area, we highly recommend you using four Hex-Head Sleeve Anchors to fix the privacy screen on solid ground.

Before assembling, we recommend:

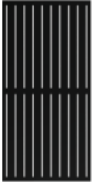

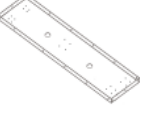








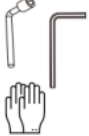
**1. Wear Gloves.**

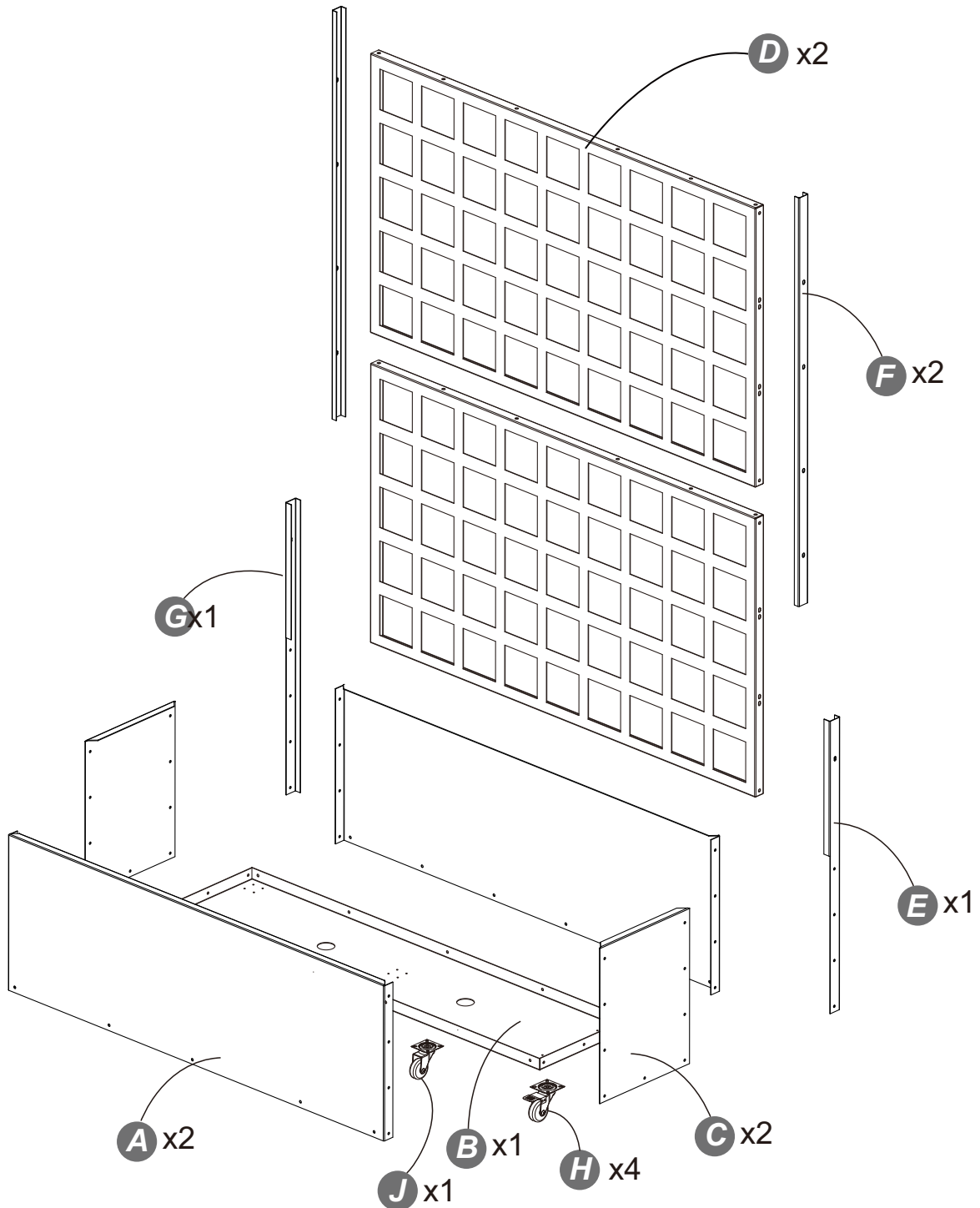


**2. Ask for a Helping Hand.**



# PART LIST

											
<b>DX2</b>	<b>AX2</b>	<b>BX1</b>	<b>CX2</b>	<b>EX1</b>	<b>GX1</b>	<b>FX2</b>	<b>JX1</b>	<b>HX4</b> (with lock)	<b>1bag</b> <b>x50pc</b>	<b>1bag</b> <b>x20pc</b>	<b>Tools</b>





# STEP

2

1

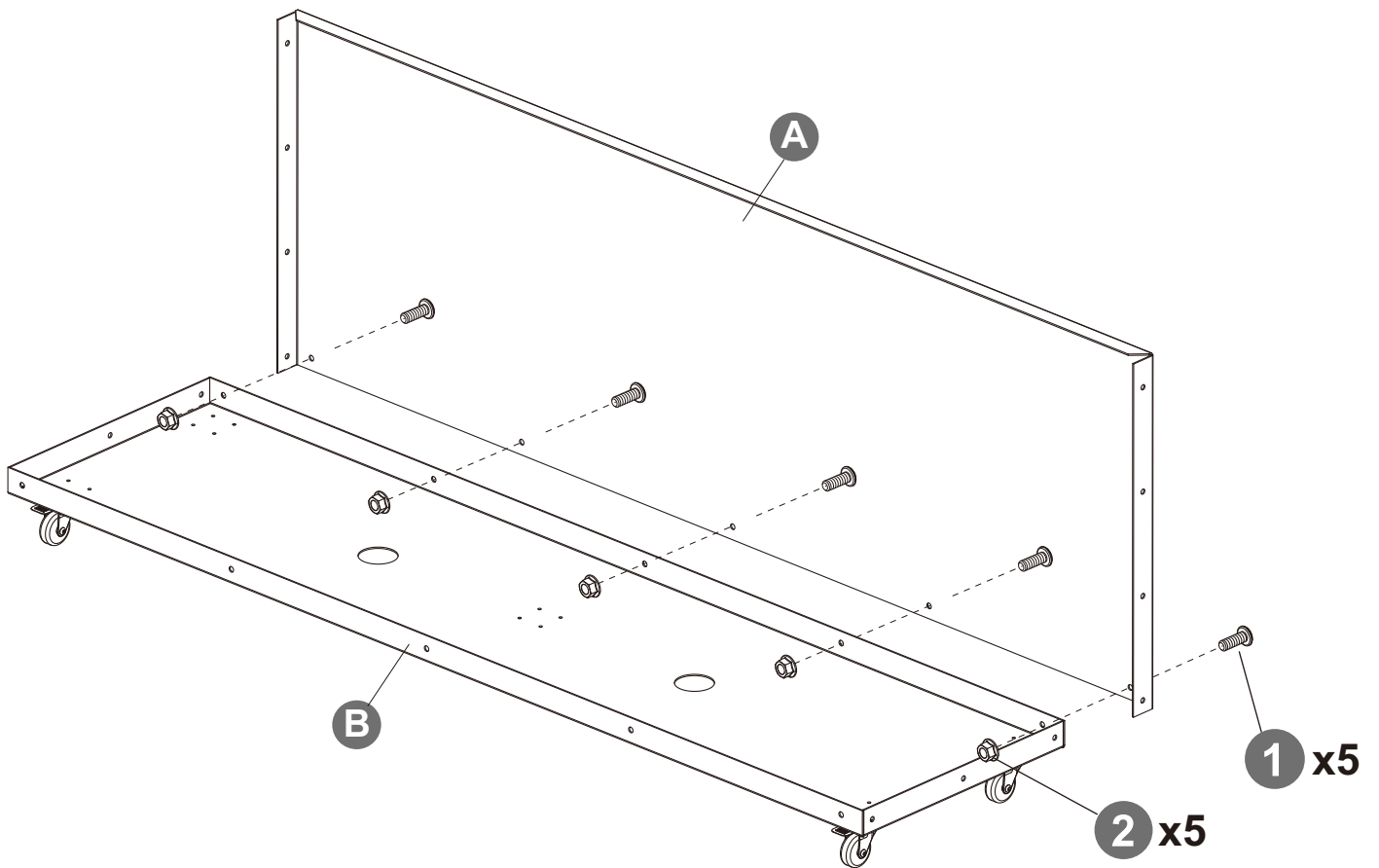


5Pcs

2

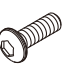



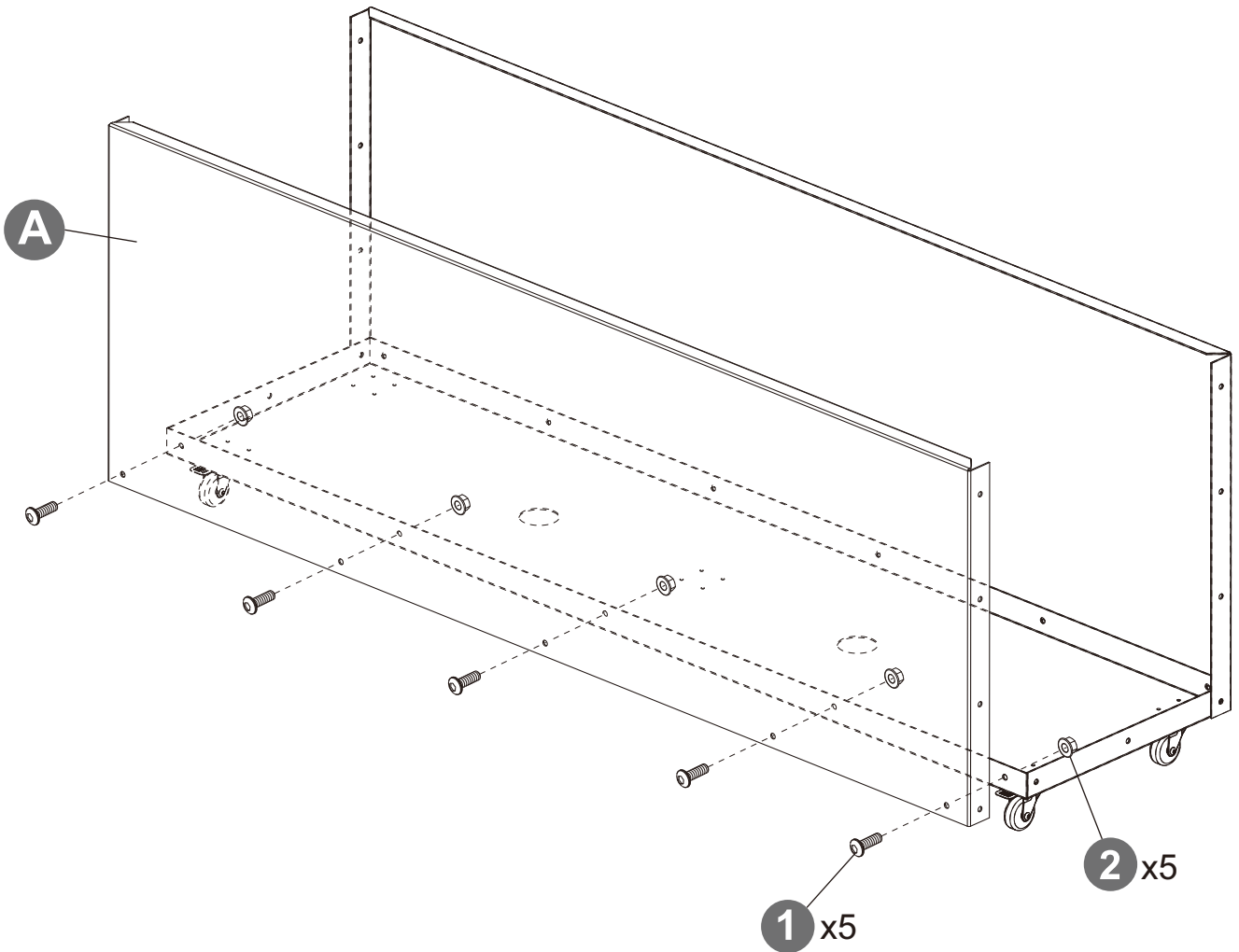
5Pcs



# STEP



3

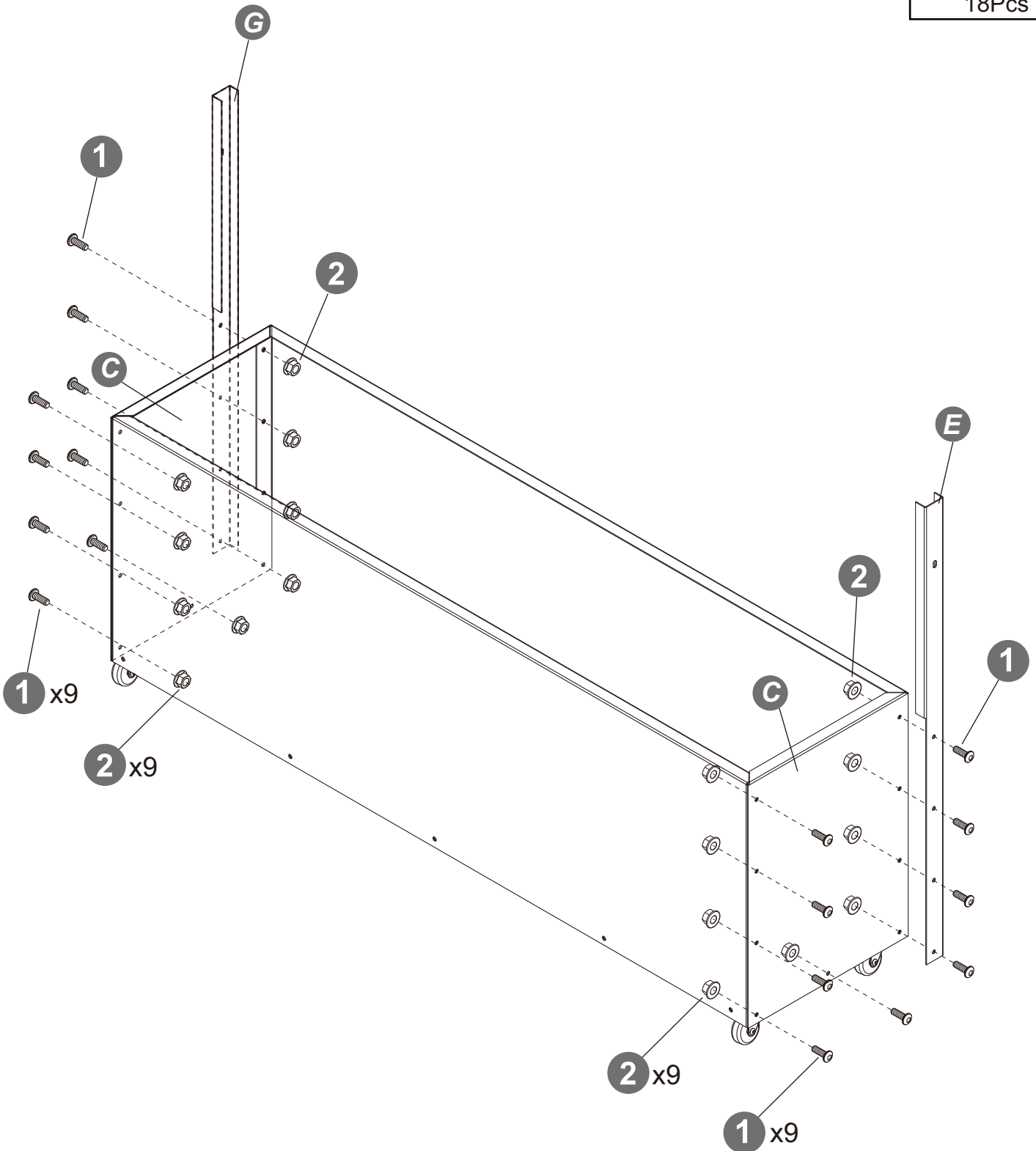
1	
	5Pcs
2	
	5Pcs



# STEP

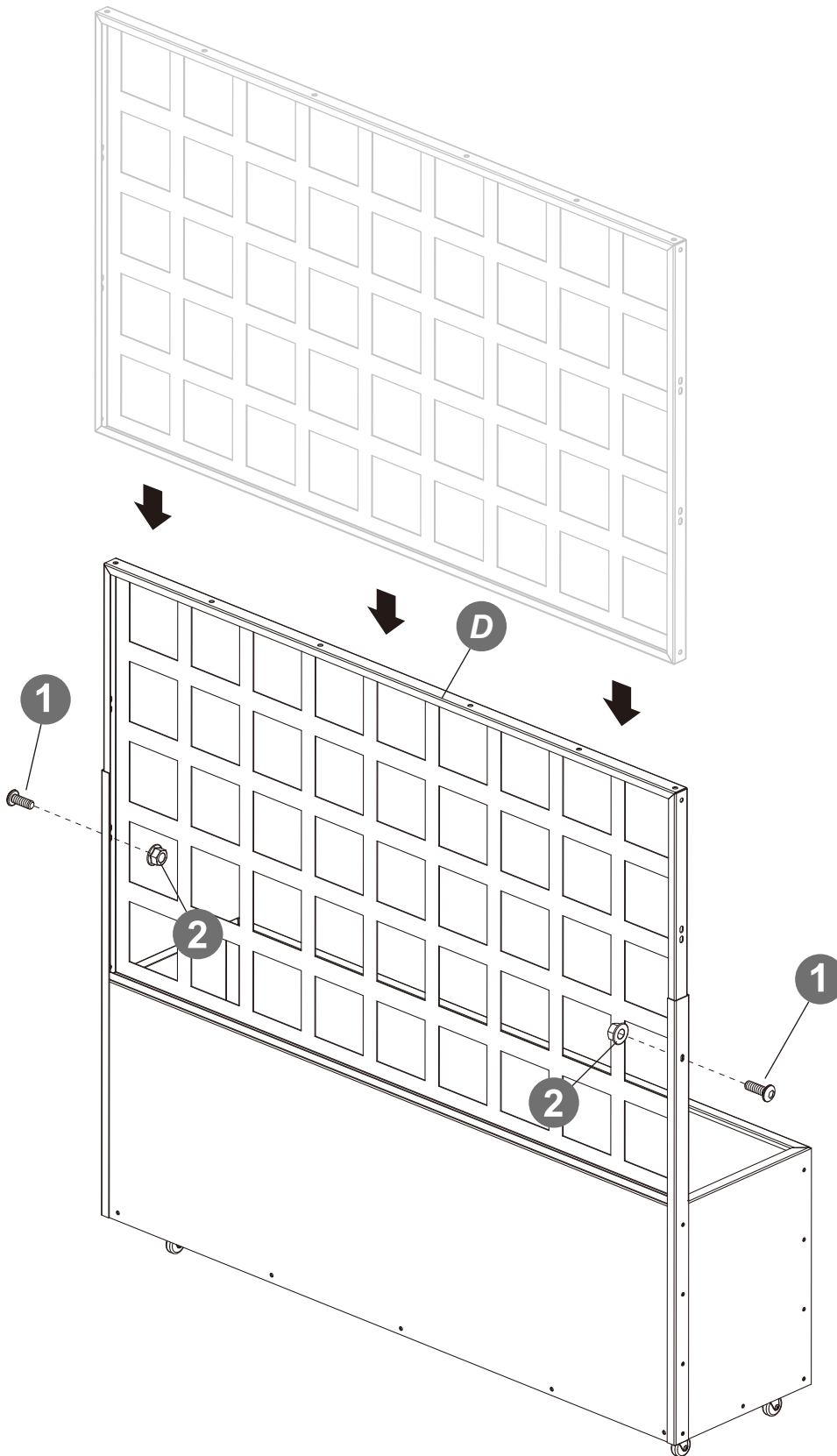
4



1		18Pcs
2		18Pcs



# STEP

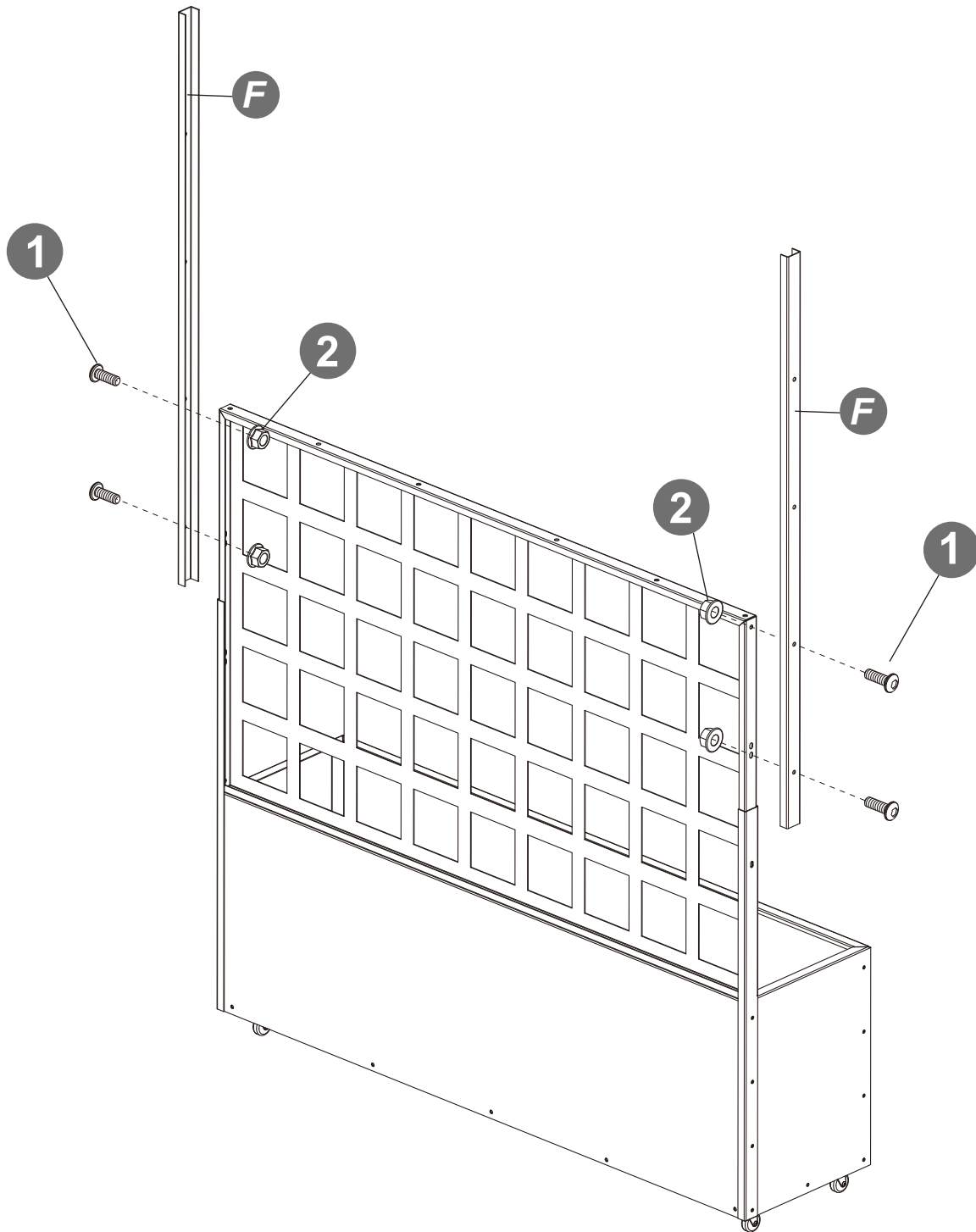
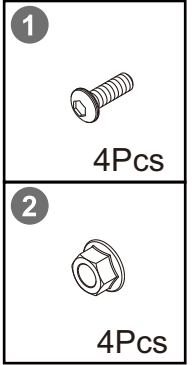
5



1		2Pcs
2		2Pcs

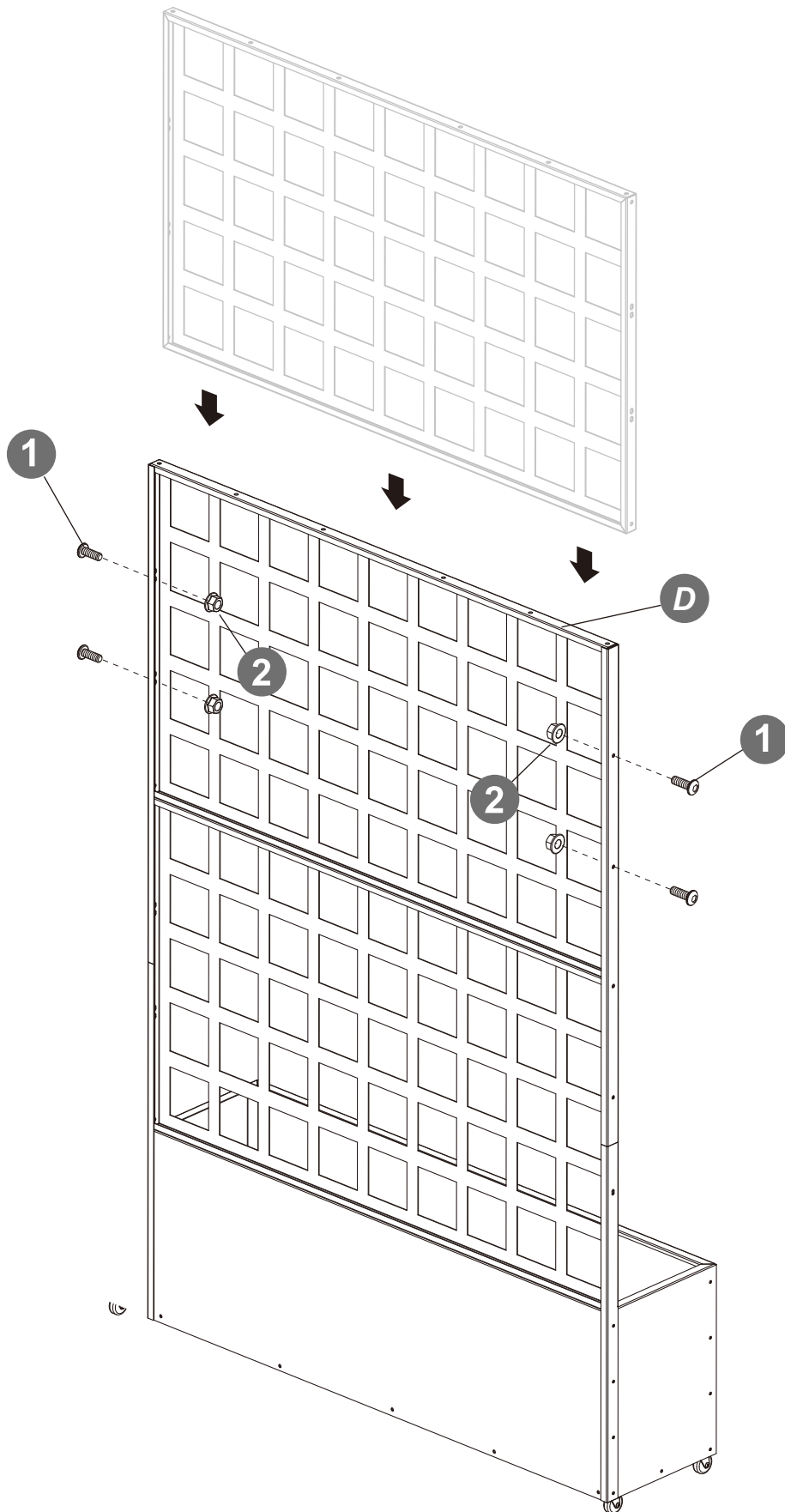
# STEP



6



# STEP

7



1		4Pcs
2		4Pcs

# STEP

8

