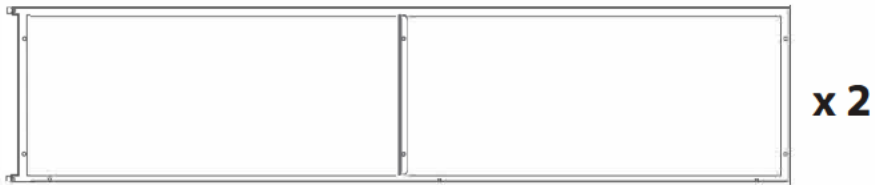


C

a) SIDE (Metal)



b) TOP



c) BACK-A



d) BACK-B



e) MIDDLE



f) BOTTOM



g) SIDE



h) DRAWER-FRONT



i) DRAWER-BACK



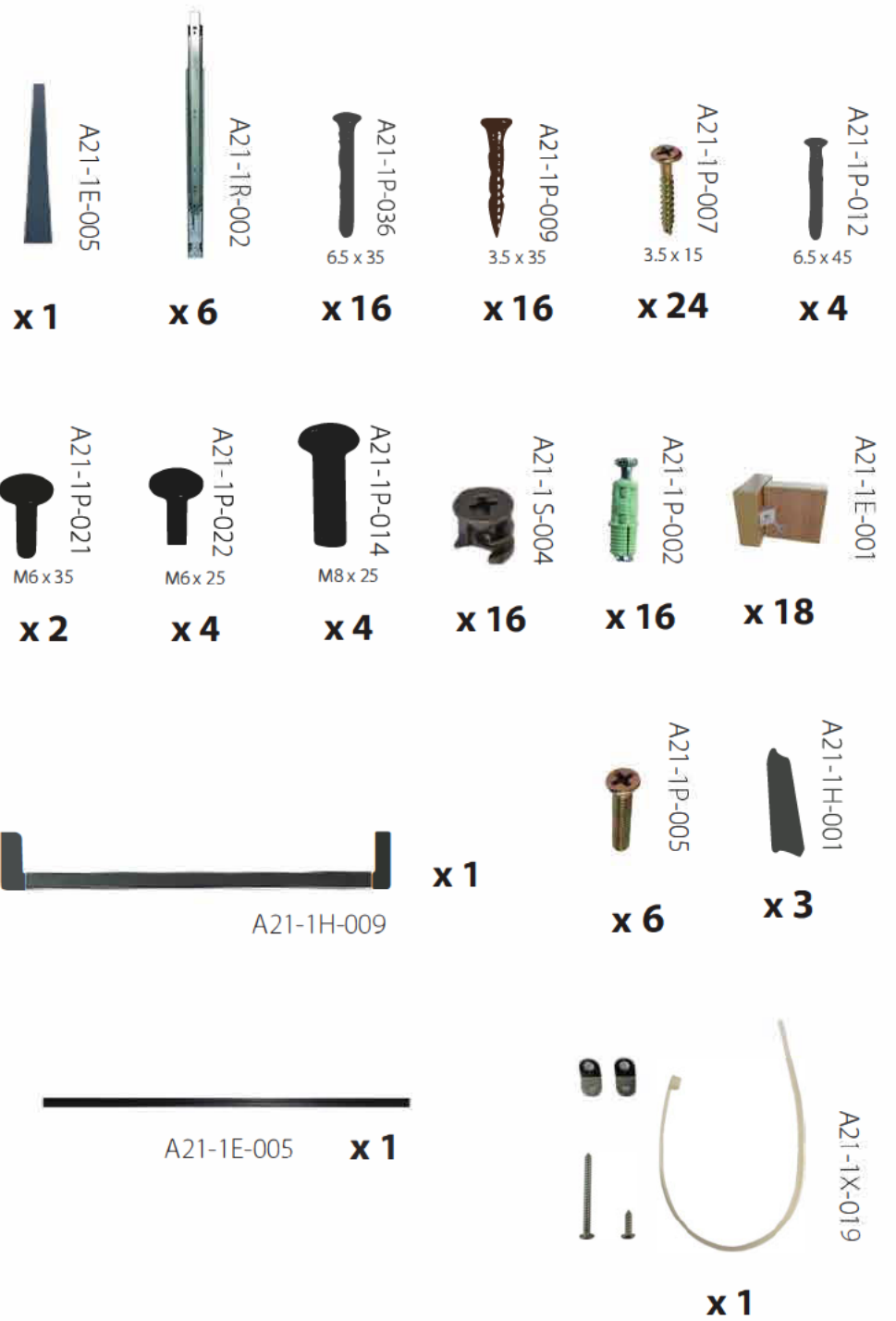
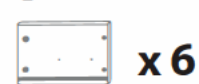
j) DRAWER-BOTTOM



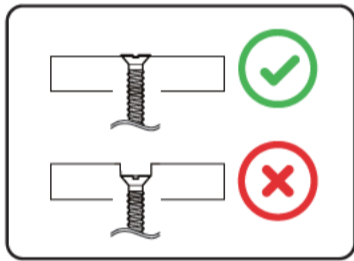
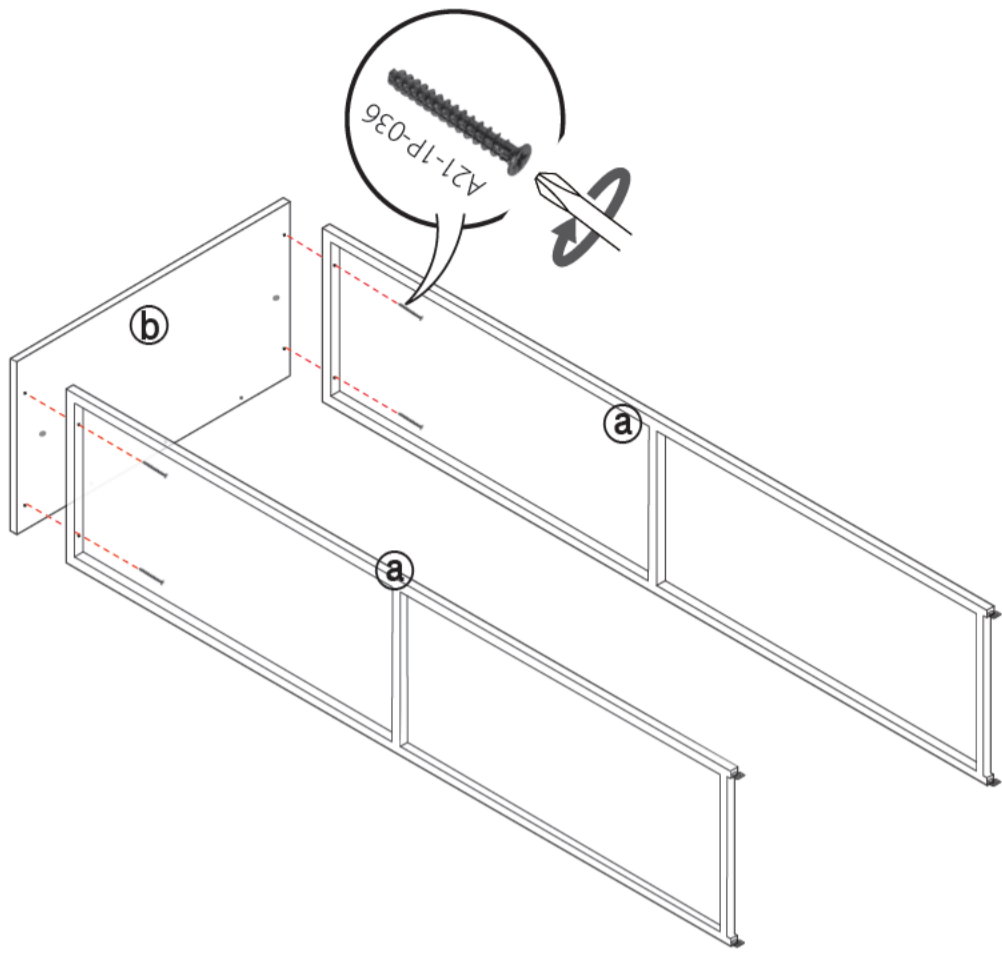
k) BACK



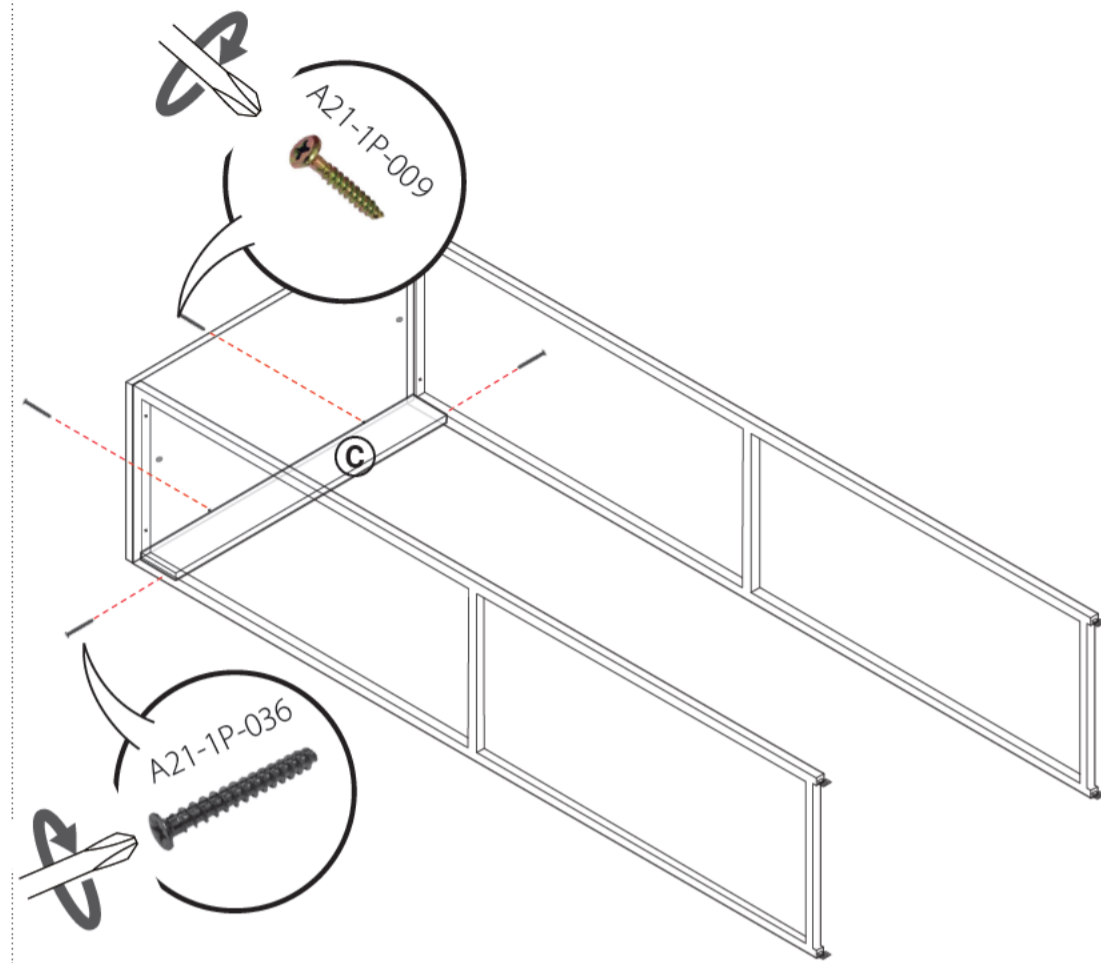
l) DRAWER-SIDE



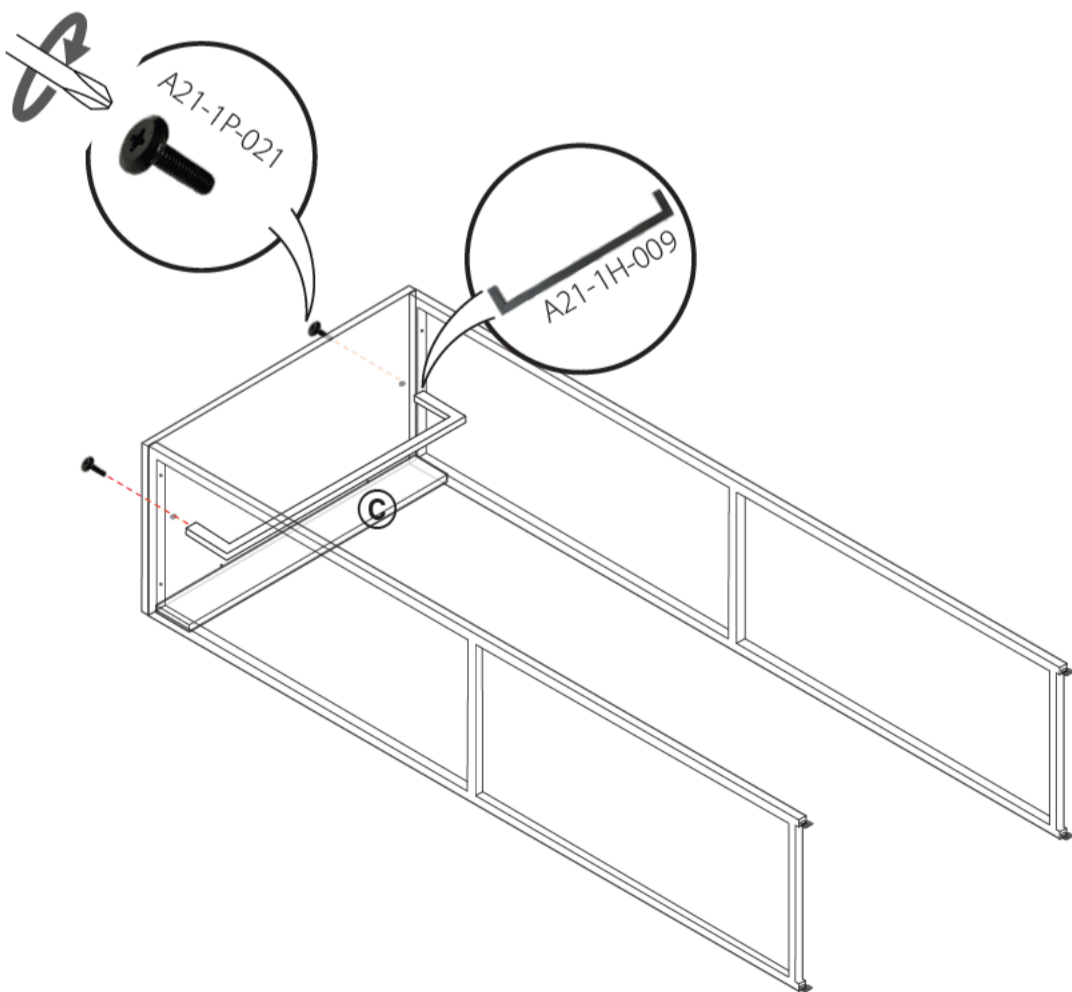
C-1



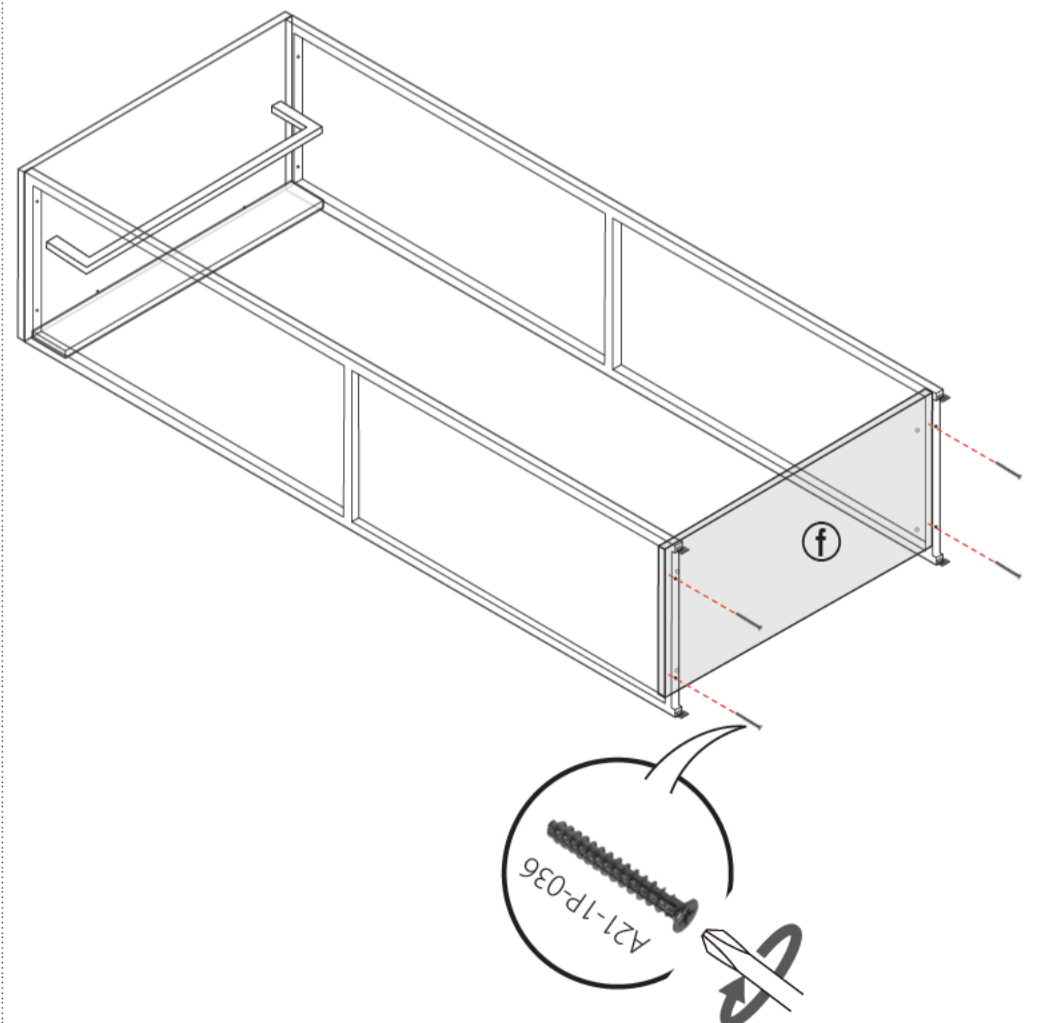
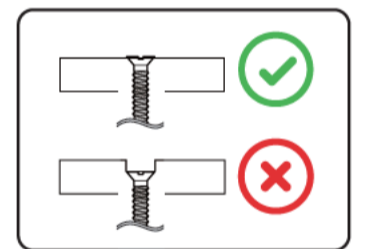
C-2



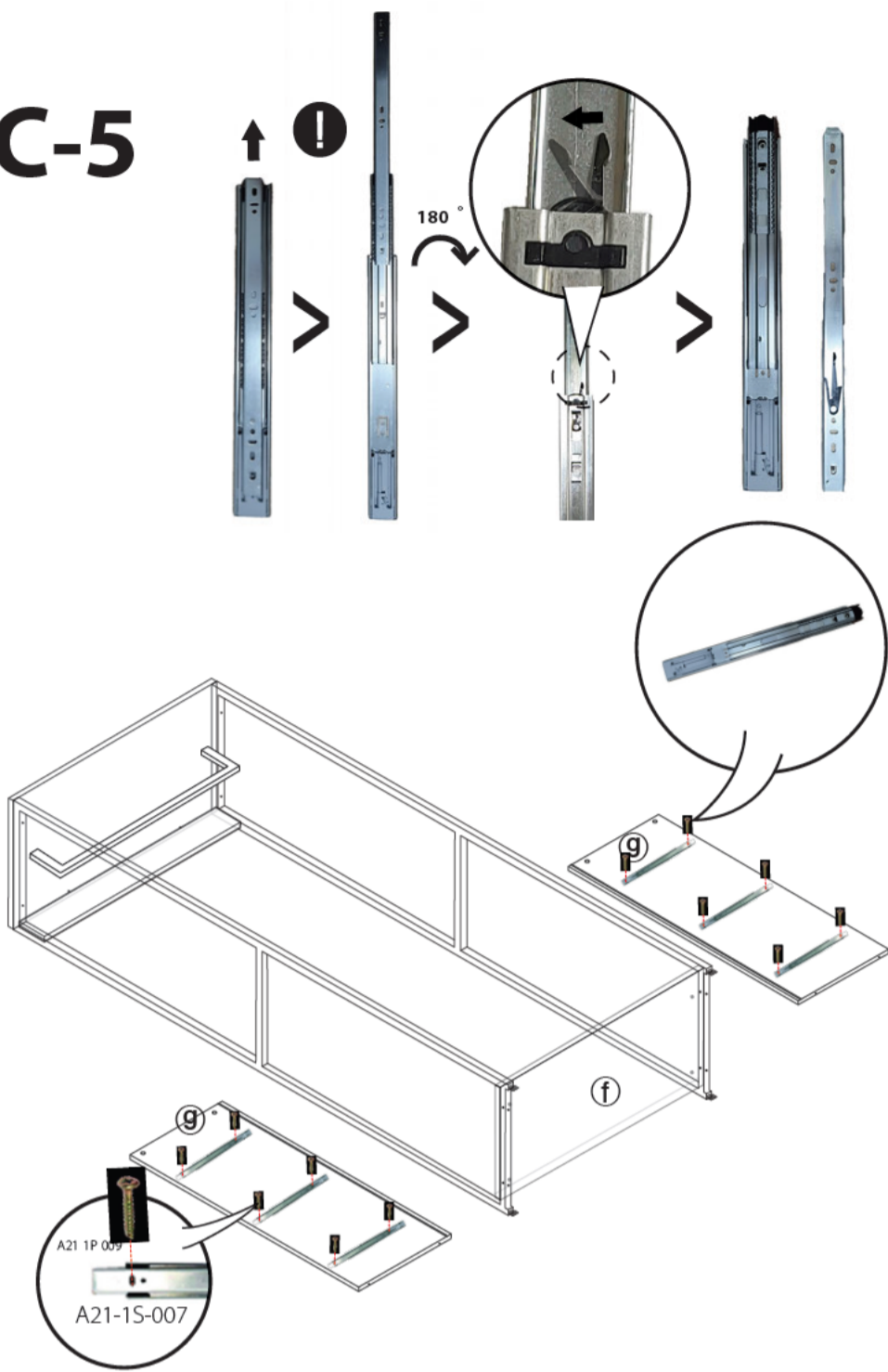
C-3



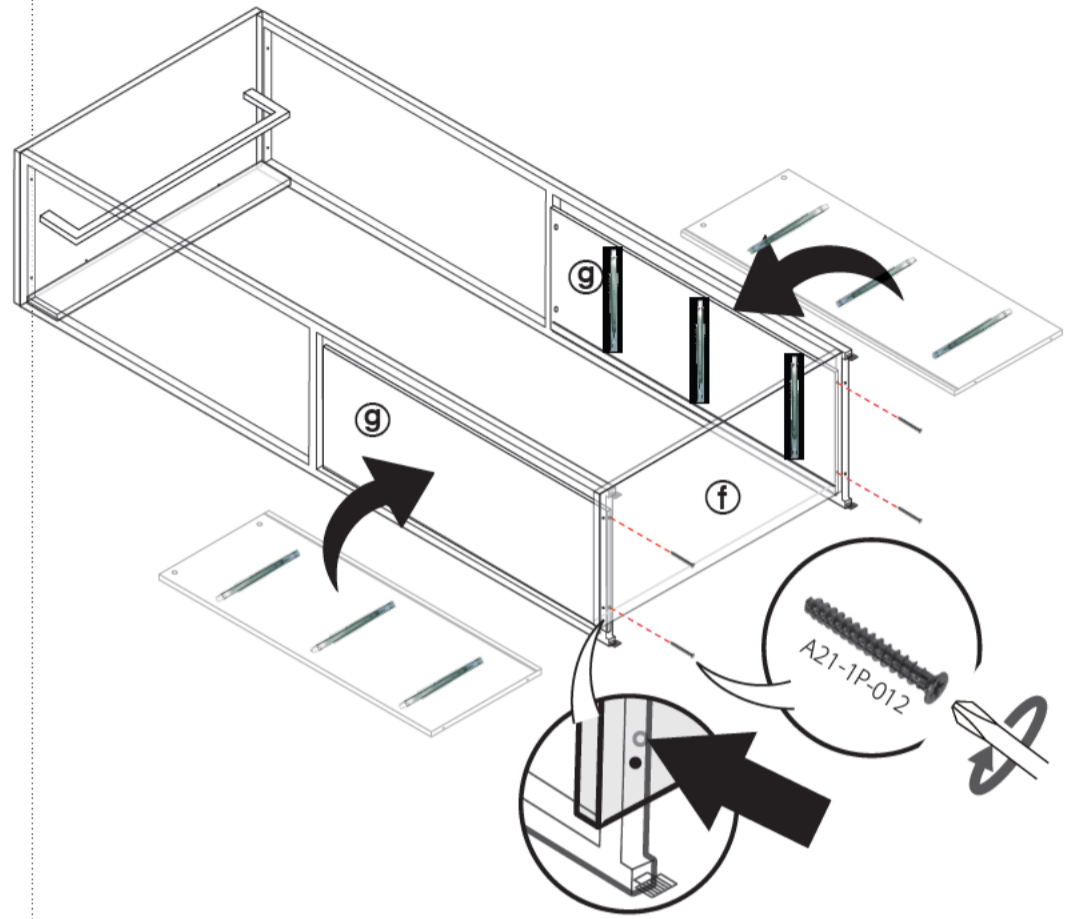
C-4



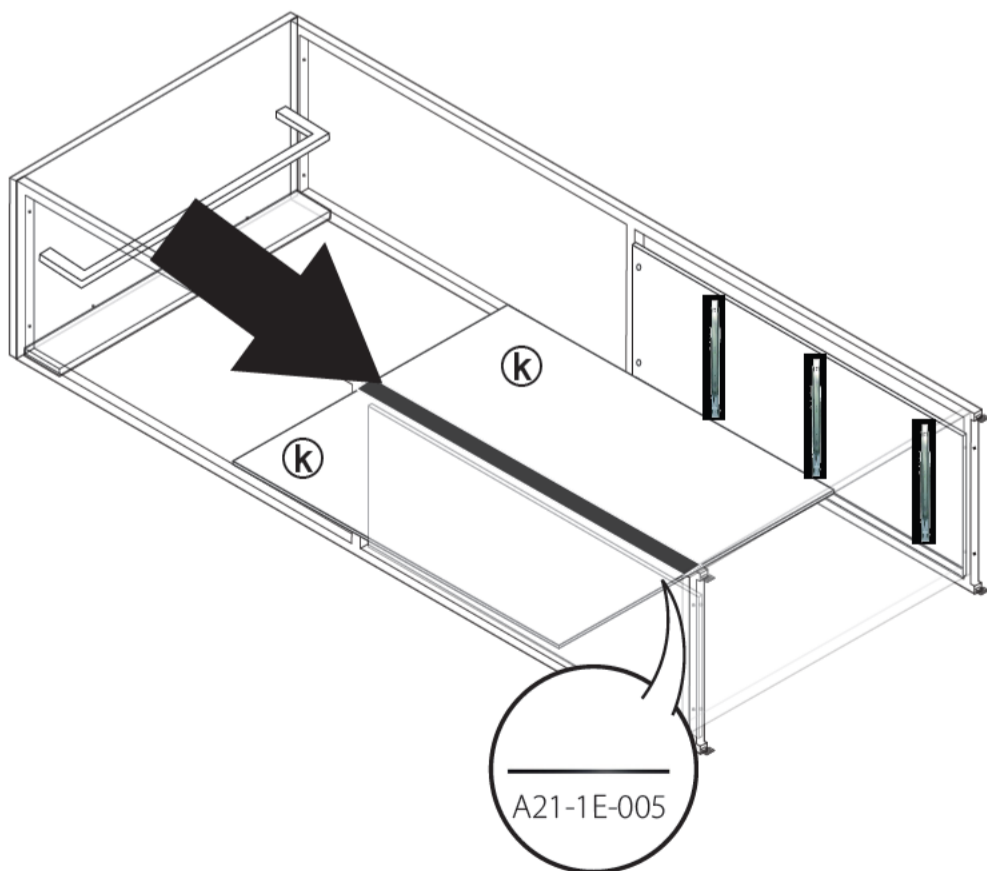
C-5



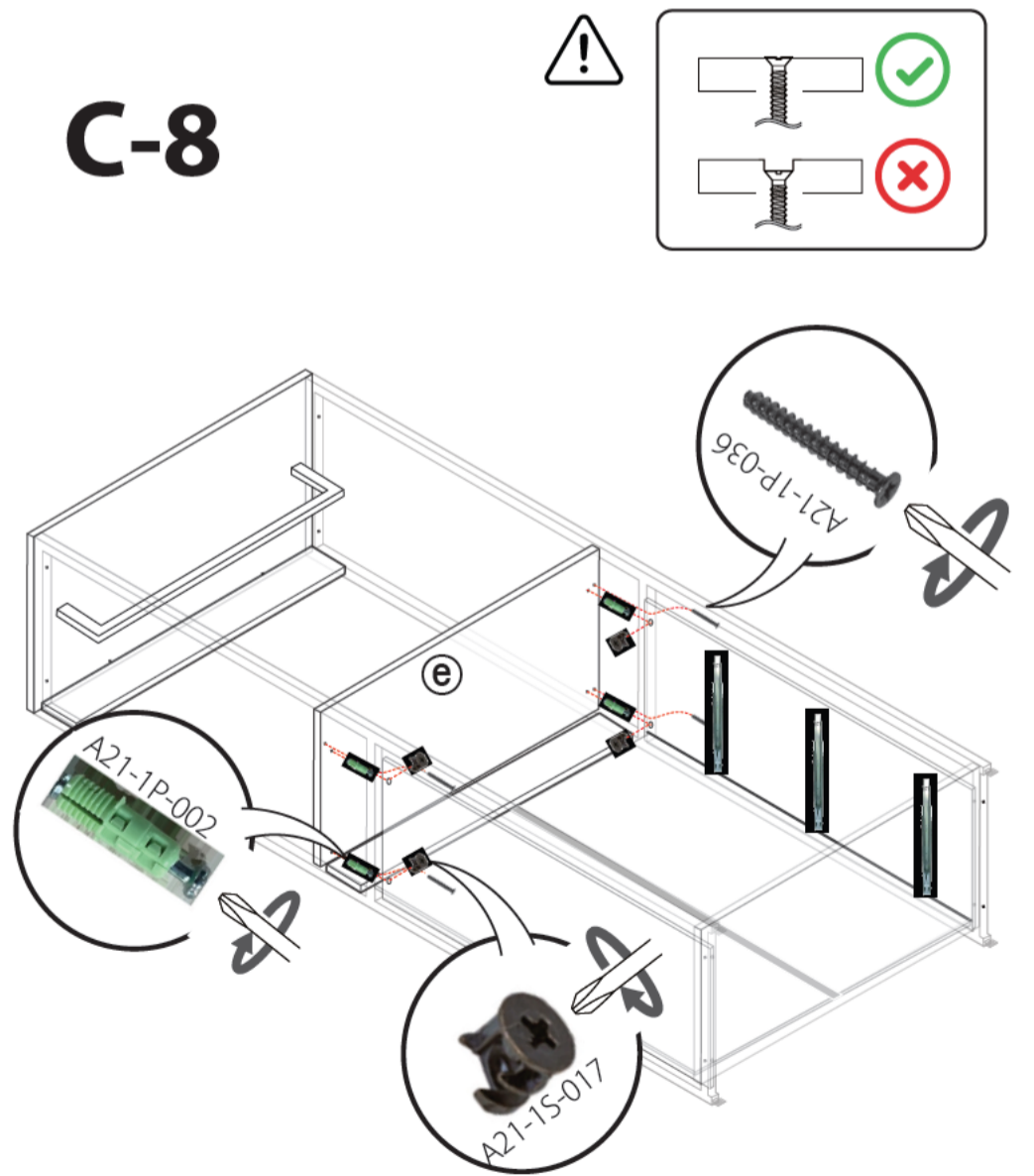
C-6



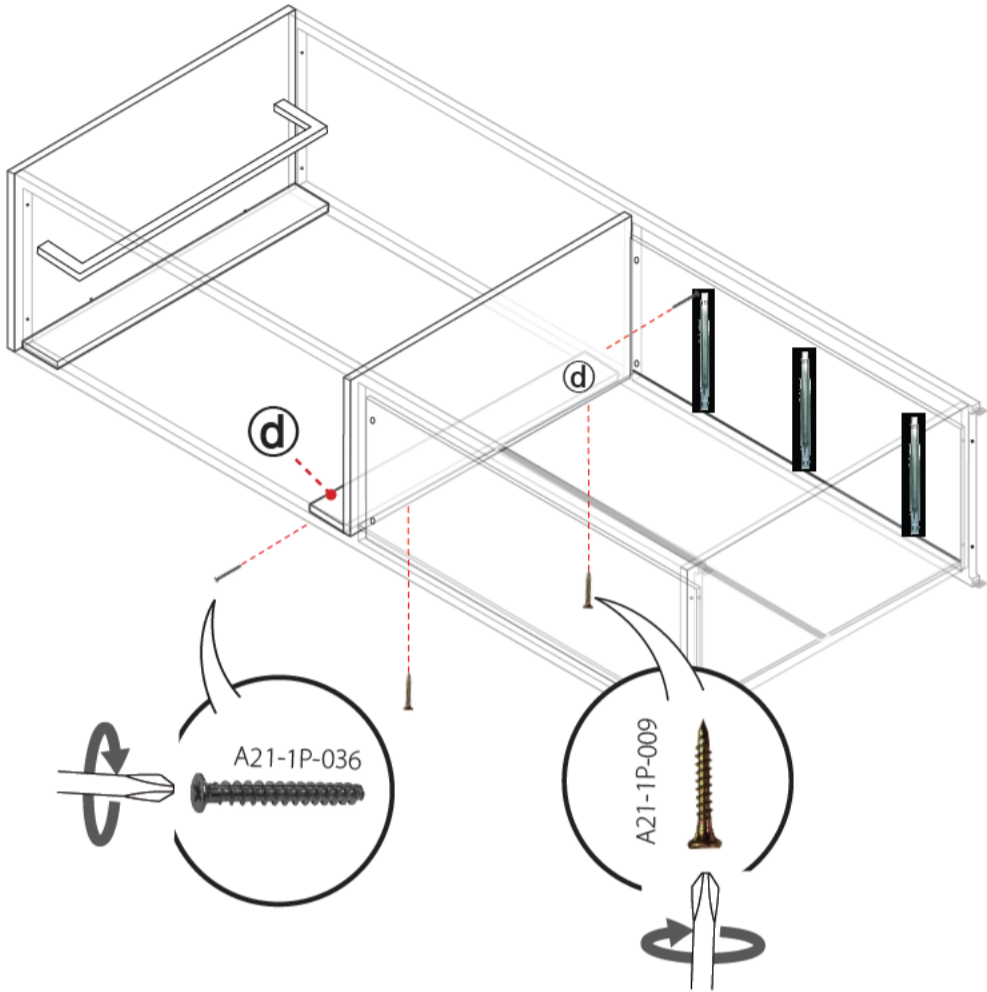
C-7



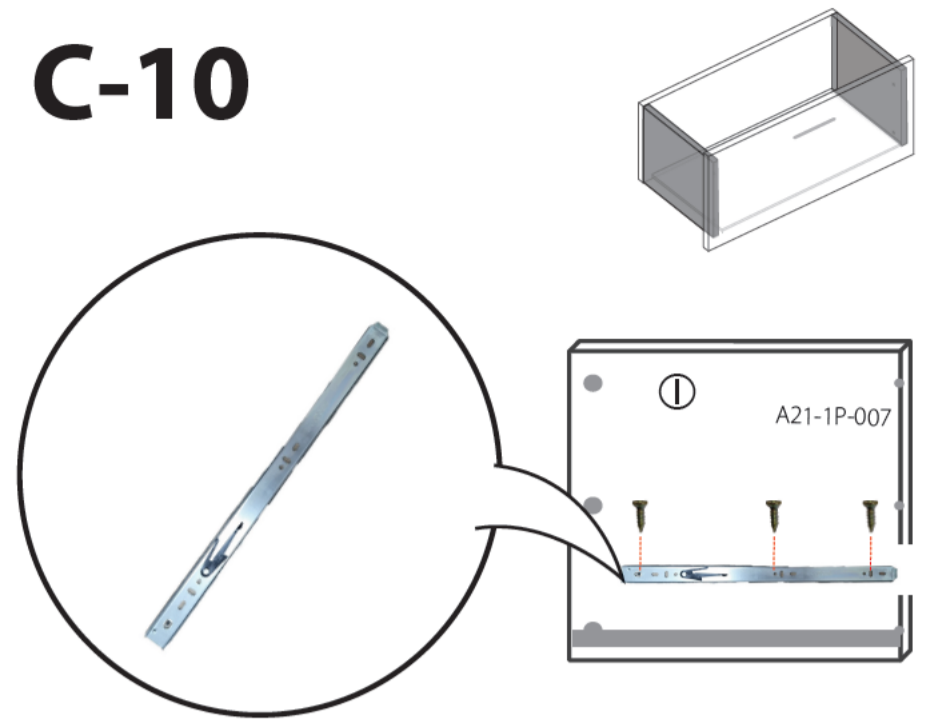
C-8



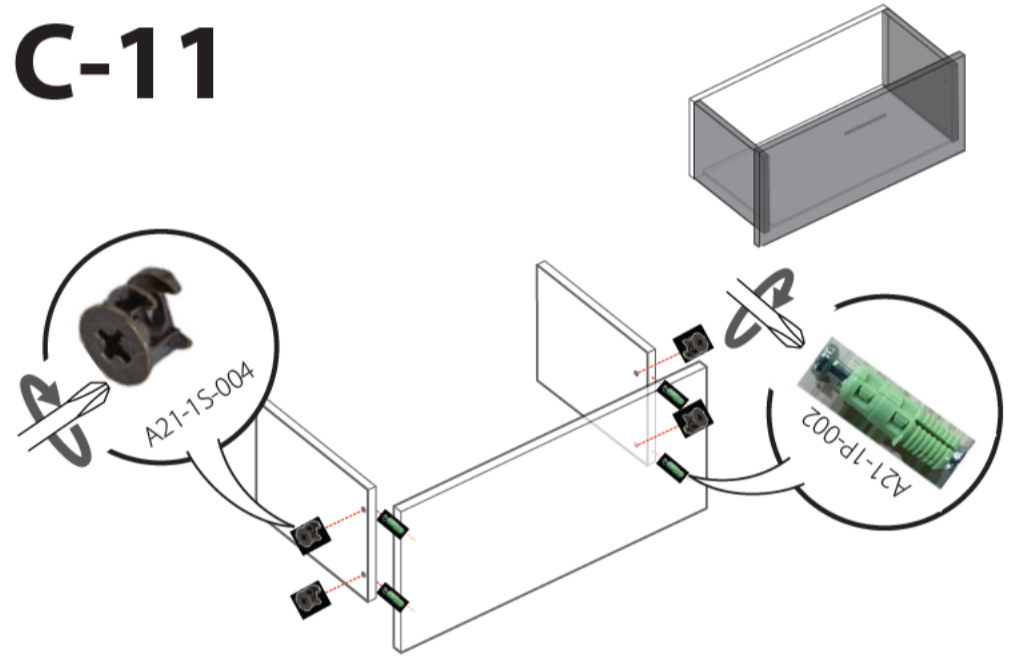
C-9



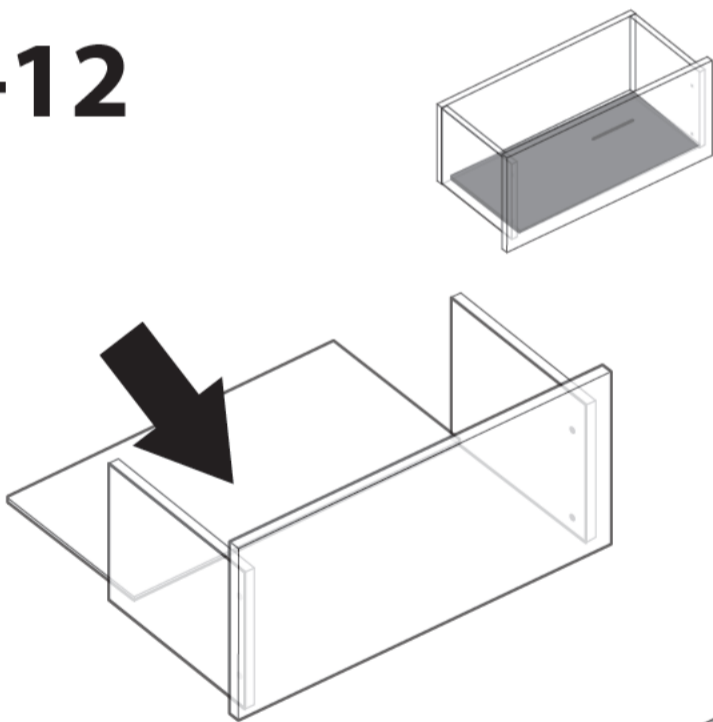
C-10



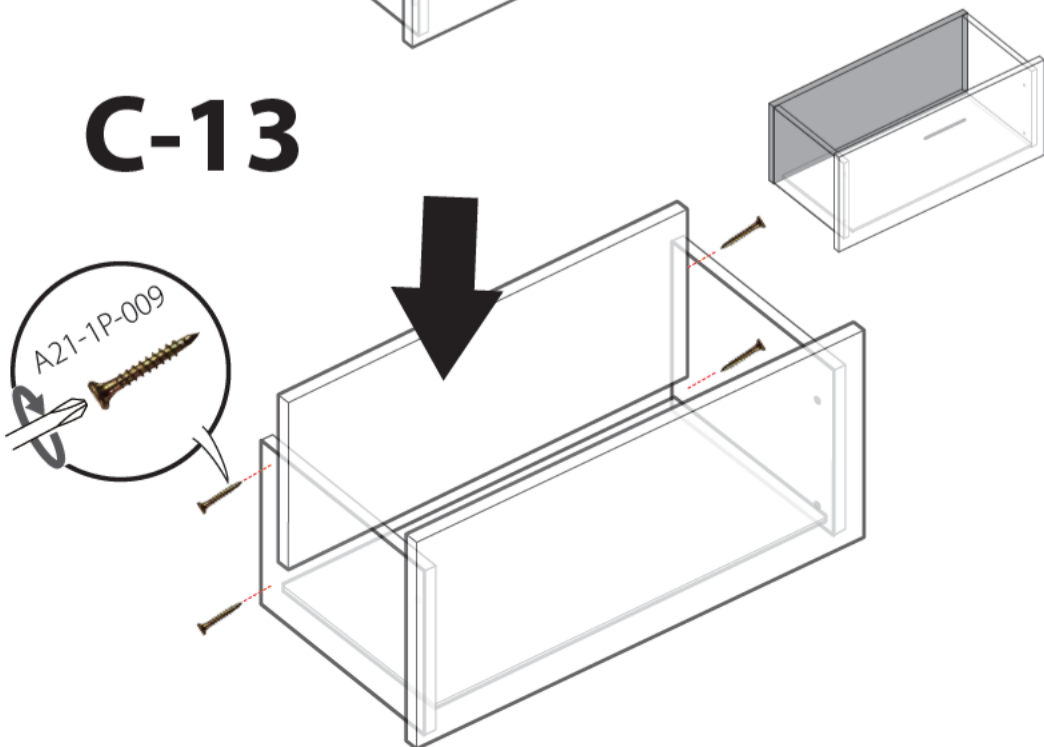
C-11



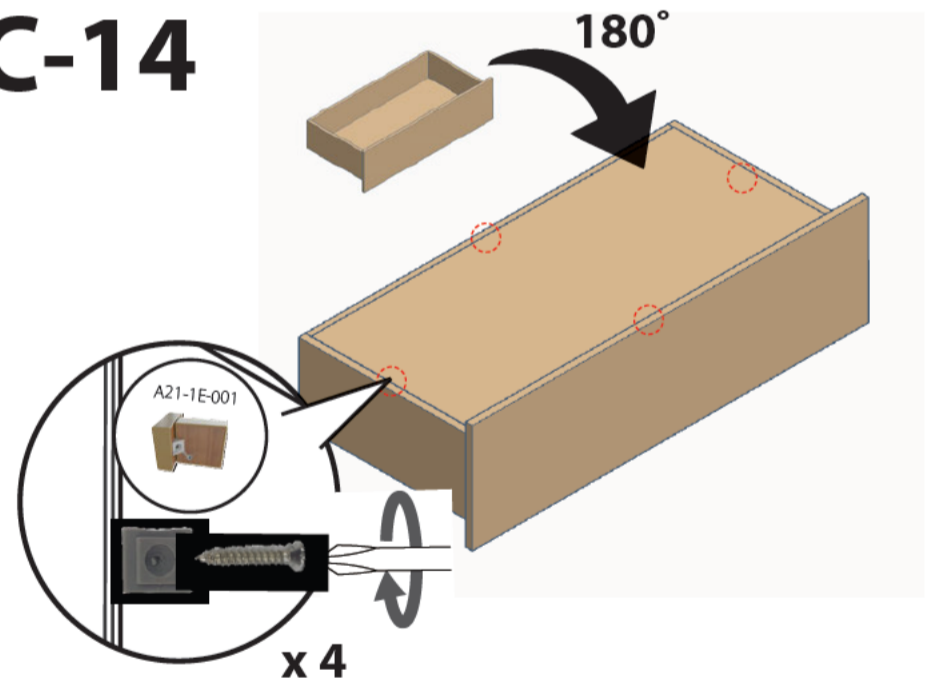
C-12



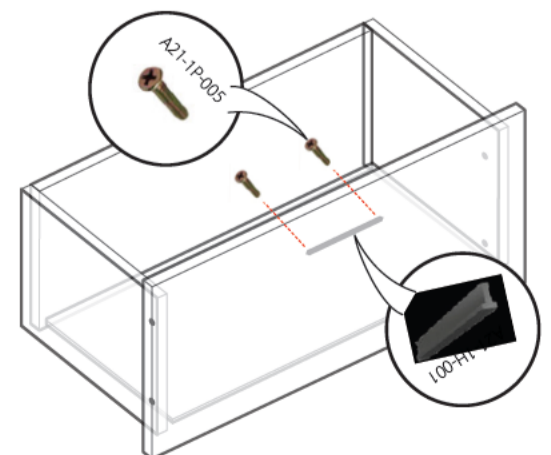
C-13



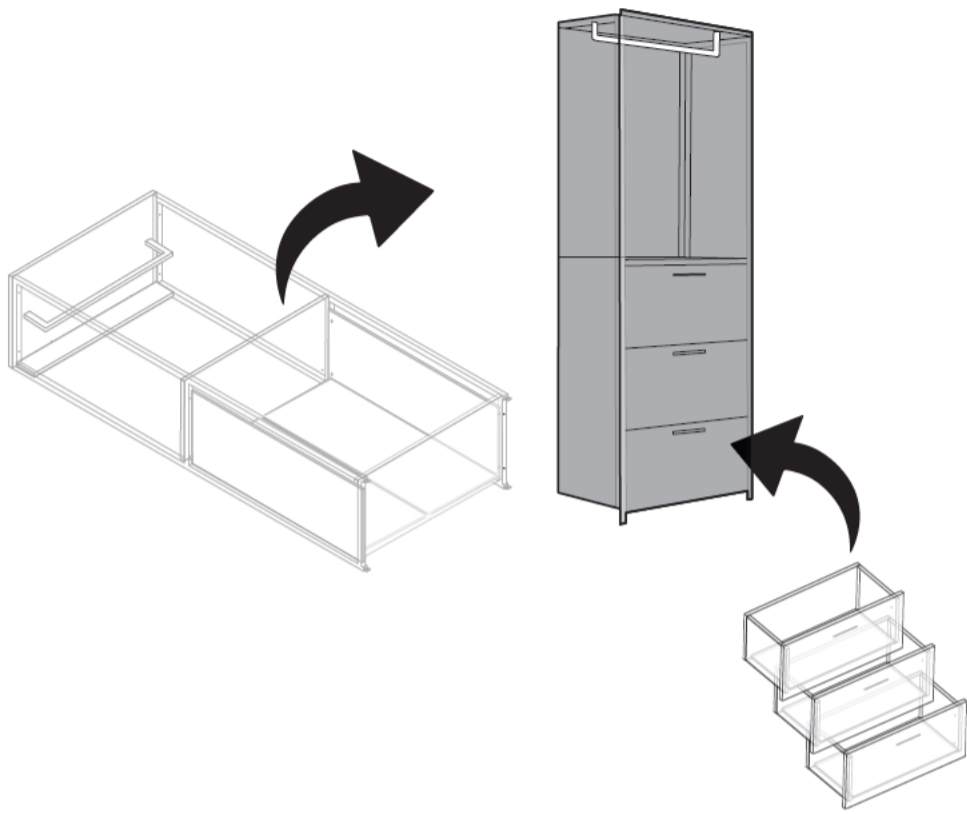
C-14



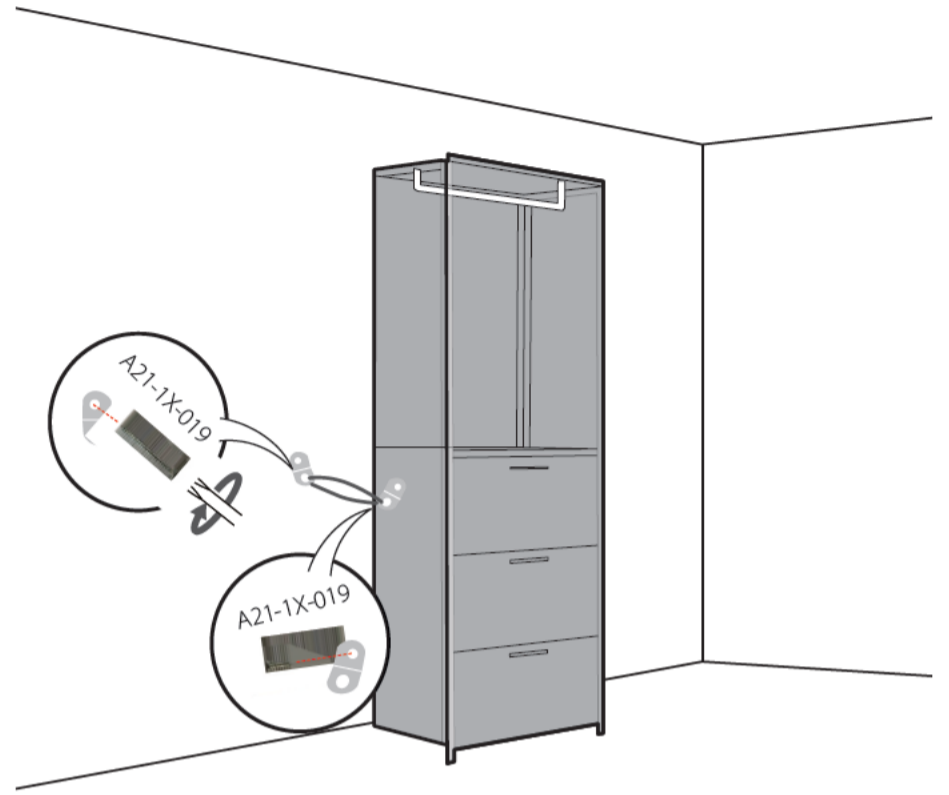
C-15



C-16



C-17



Connecting

