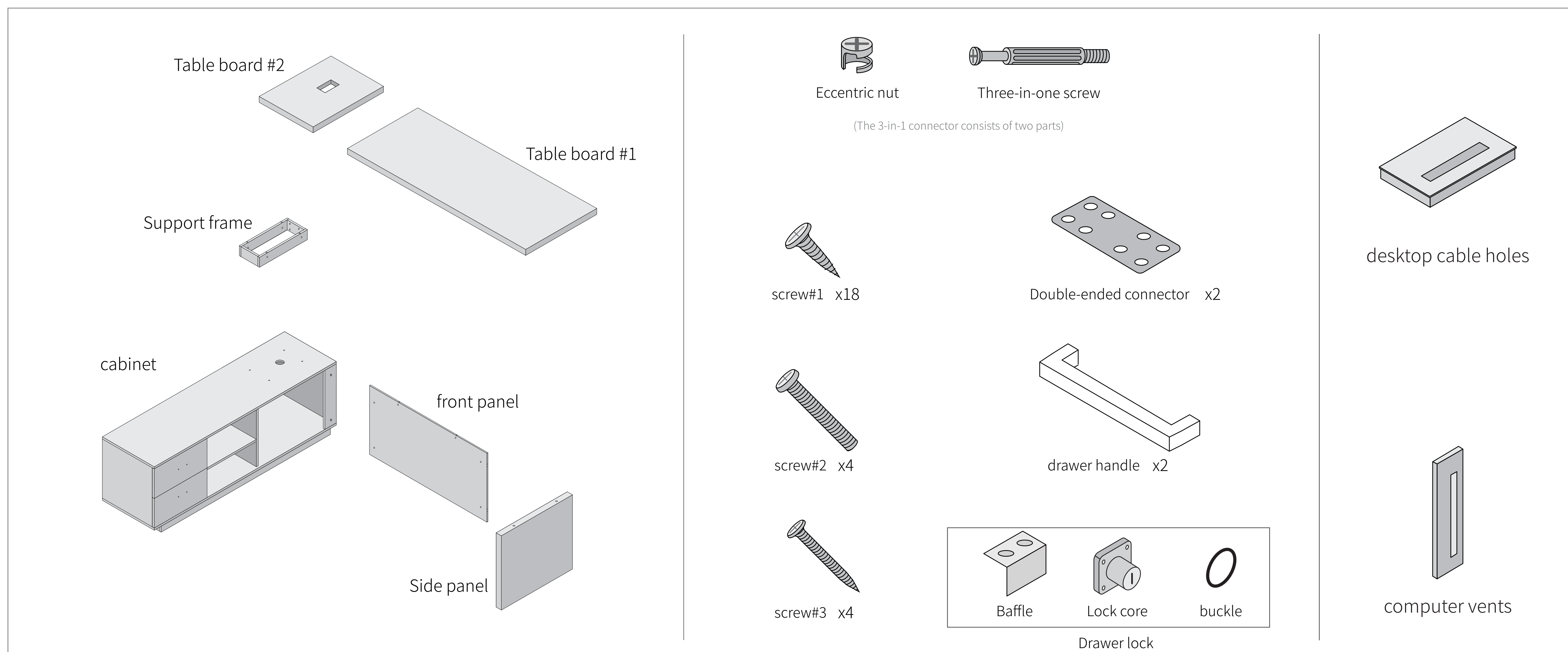


INSTALLATION INSTRUCTIONS

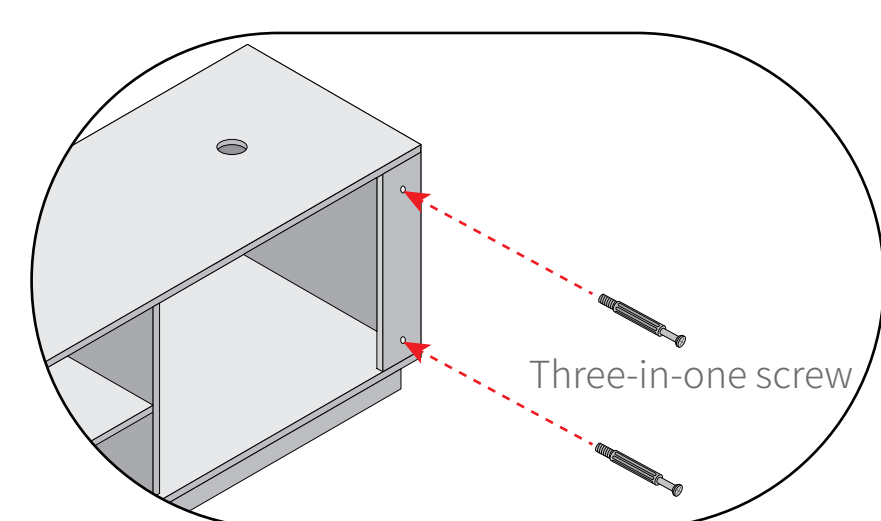
PARTS LIST

The extra parts are for spare



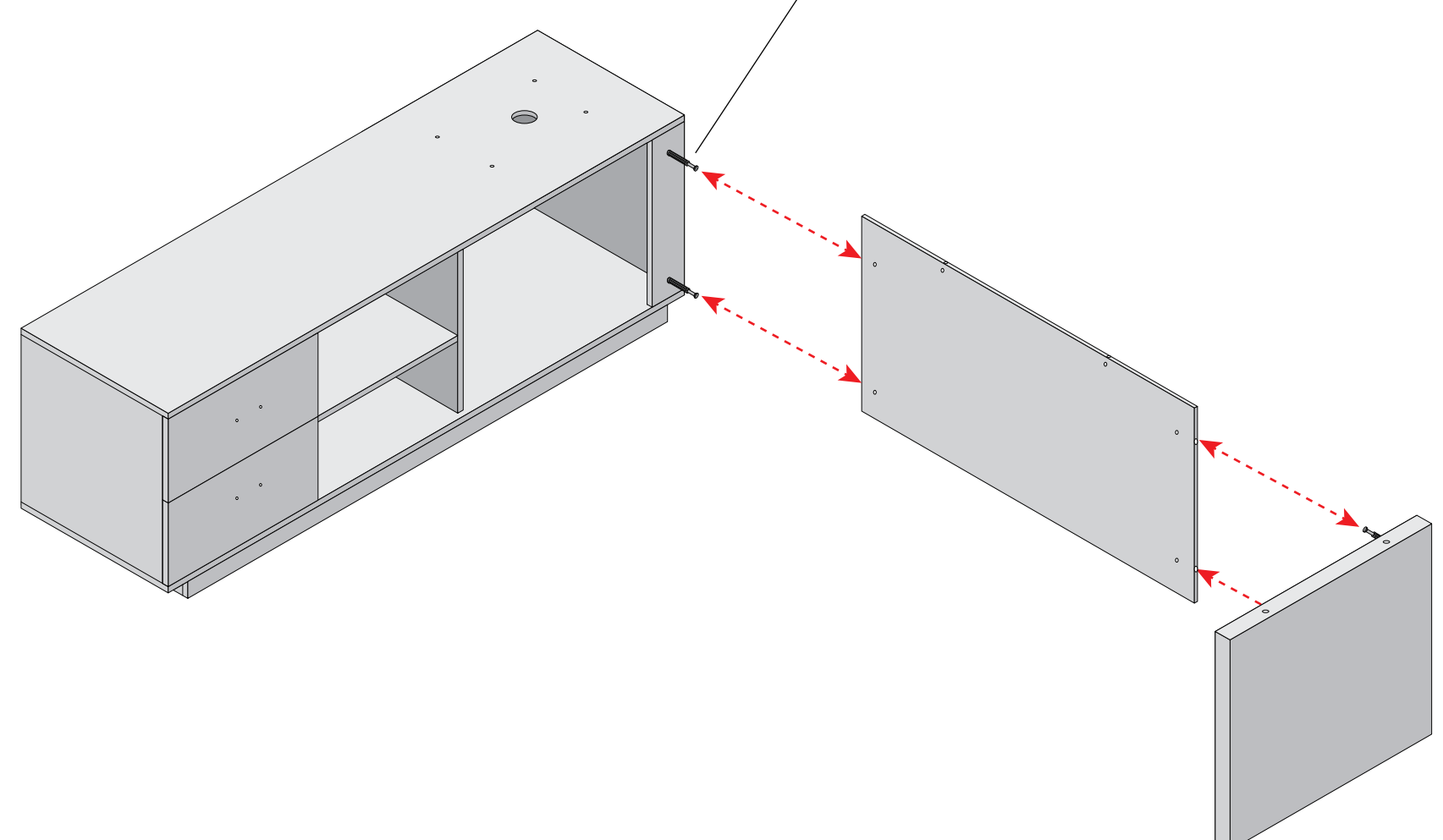
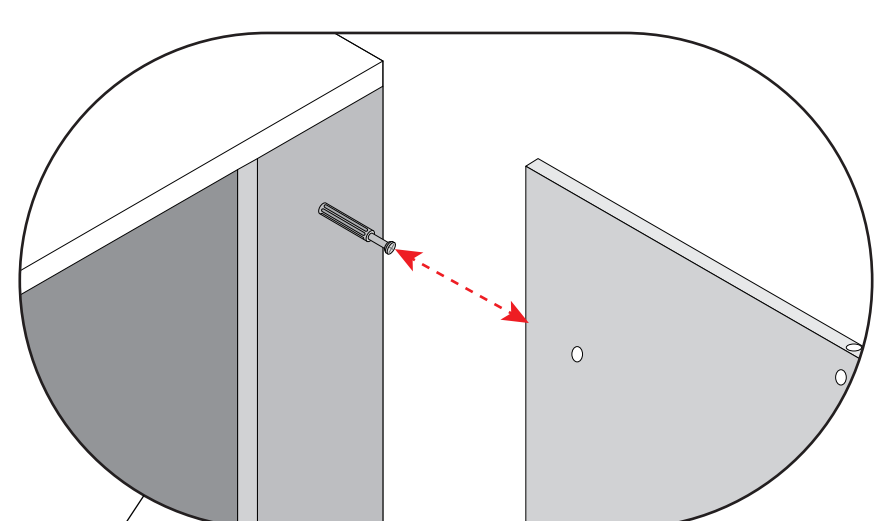
STEP 1

Install the three-in-one screws onto the cabinet and the side panels



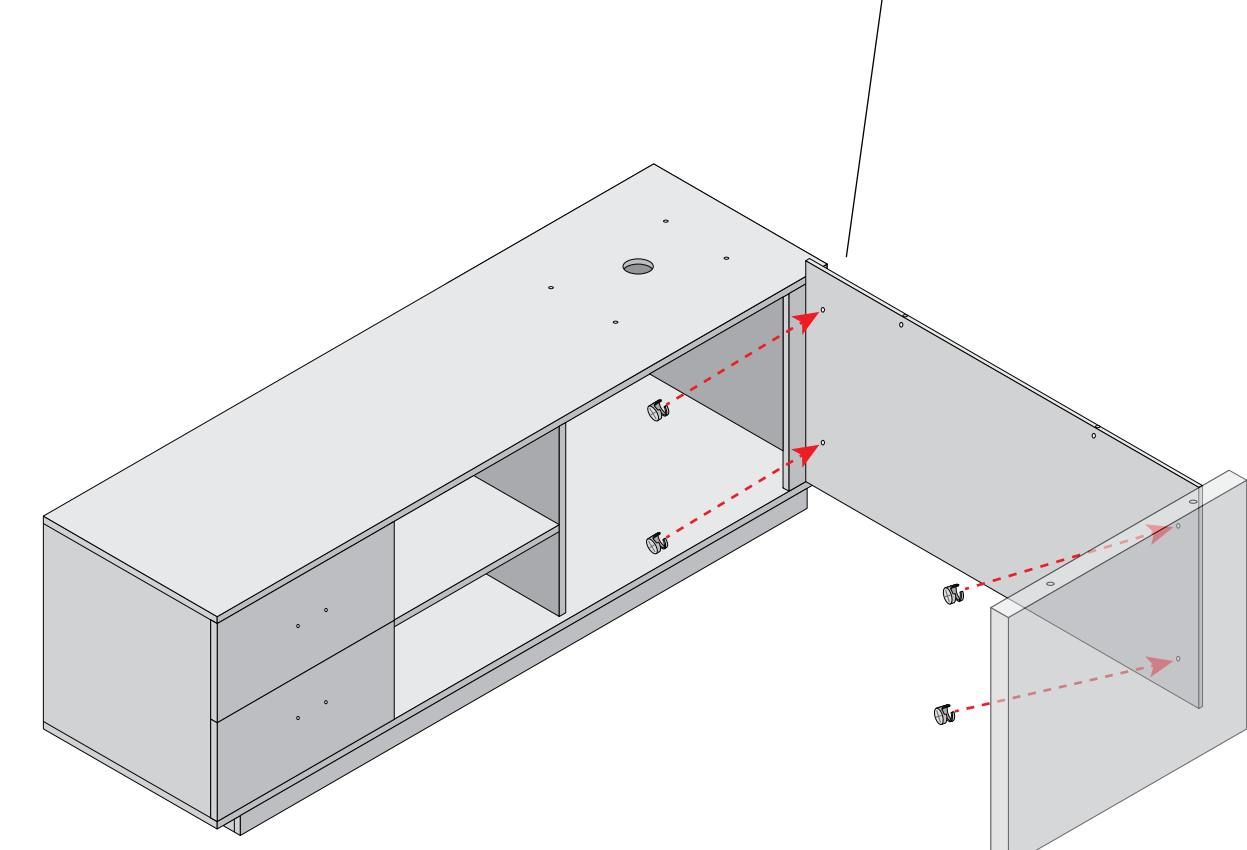
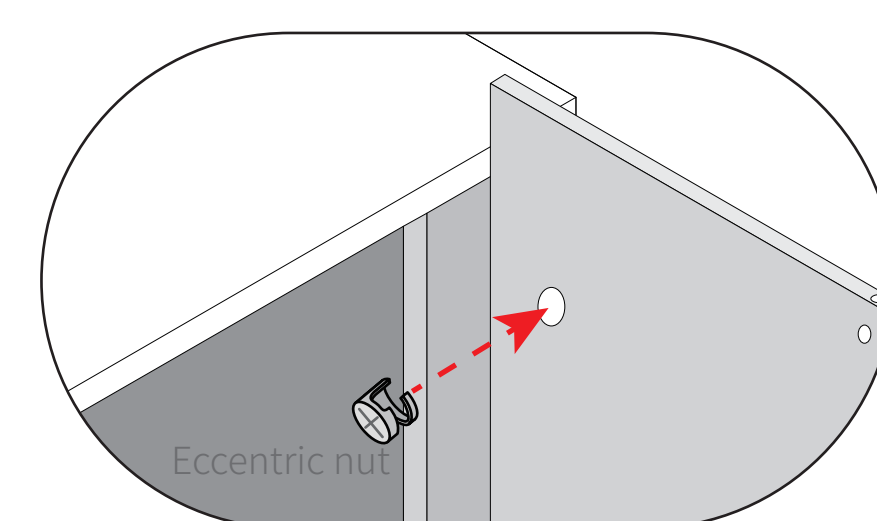
STEP 2

Connect the cabinet and the side panels through the front panel



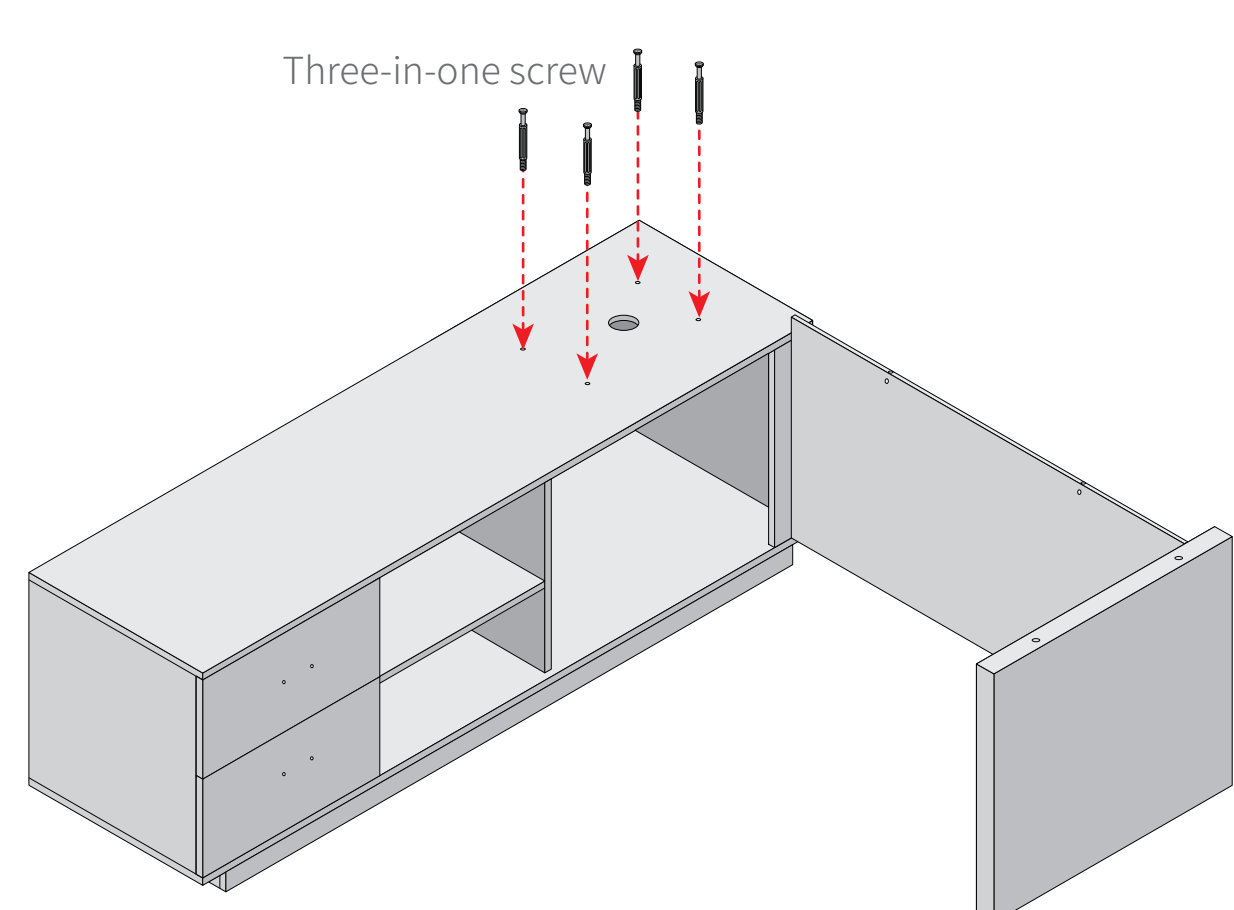
STEP 3

It is fixed by Eccentric nut



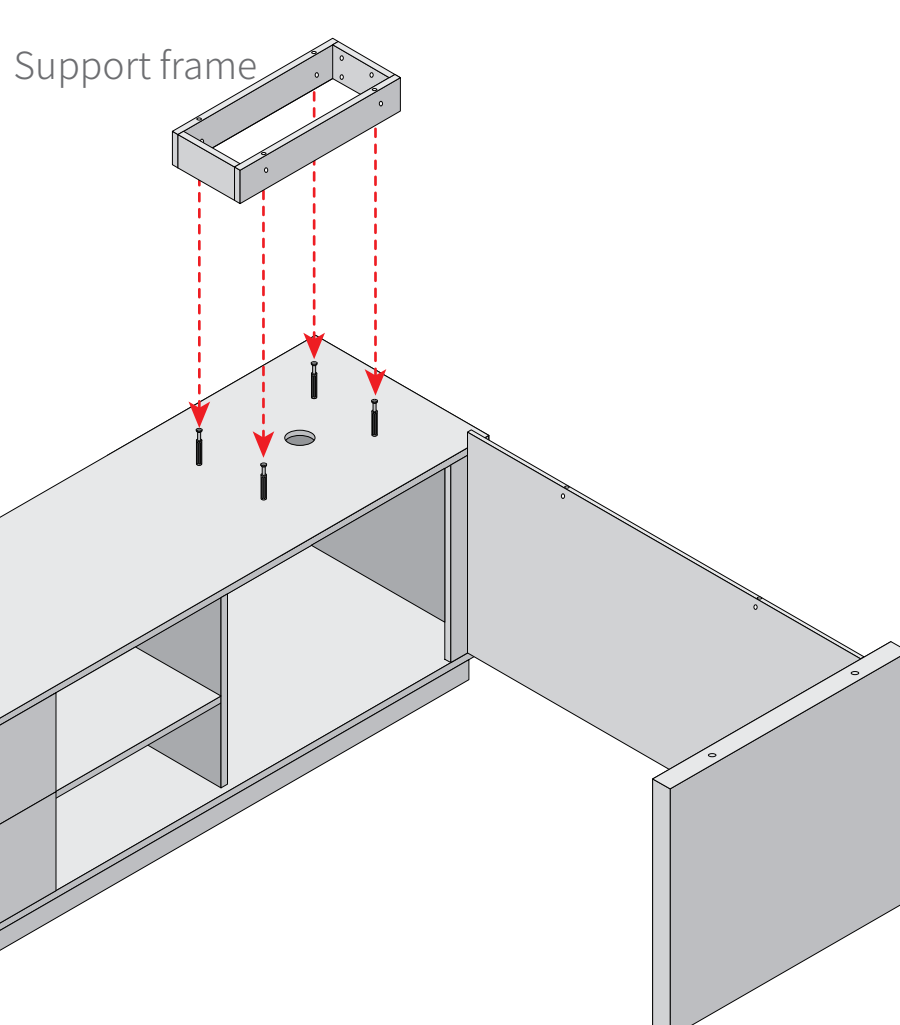
STEP 4

Install the 3-in-1 screws into the top holes of the cabinets



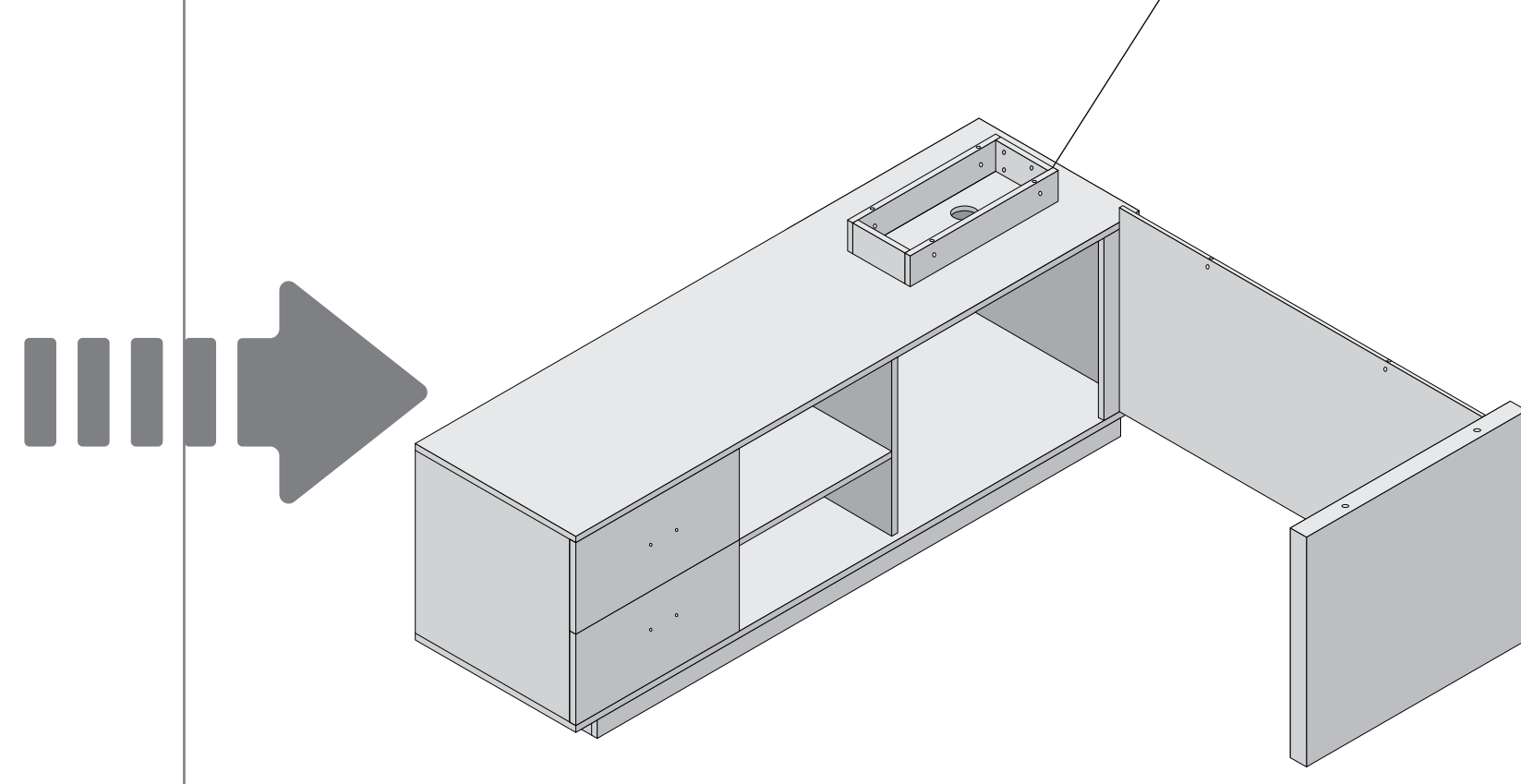
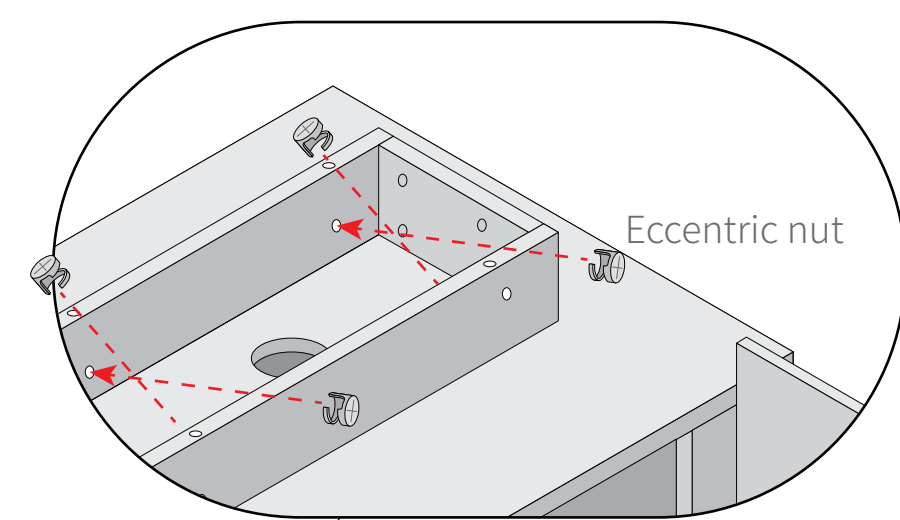
STEP 5

Install the support frame on the cabinet



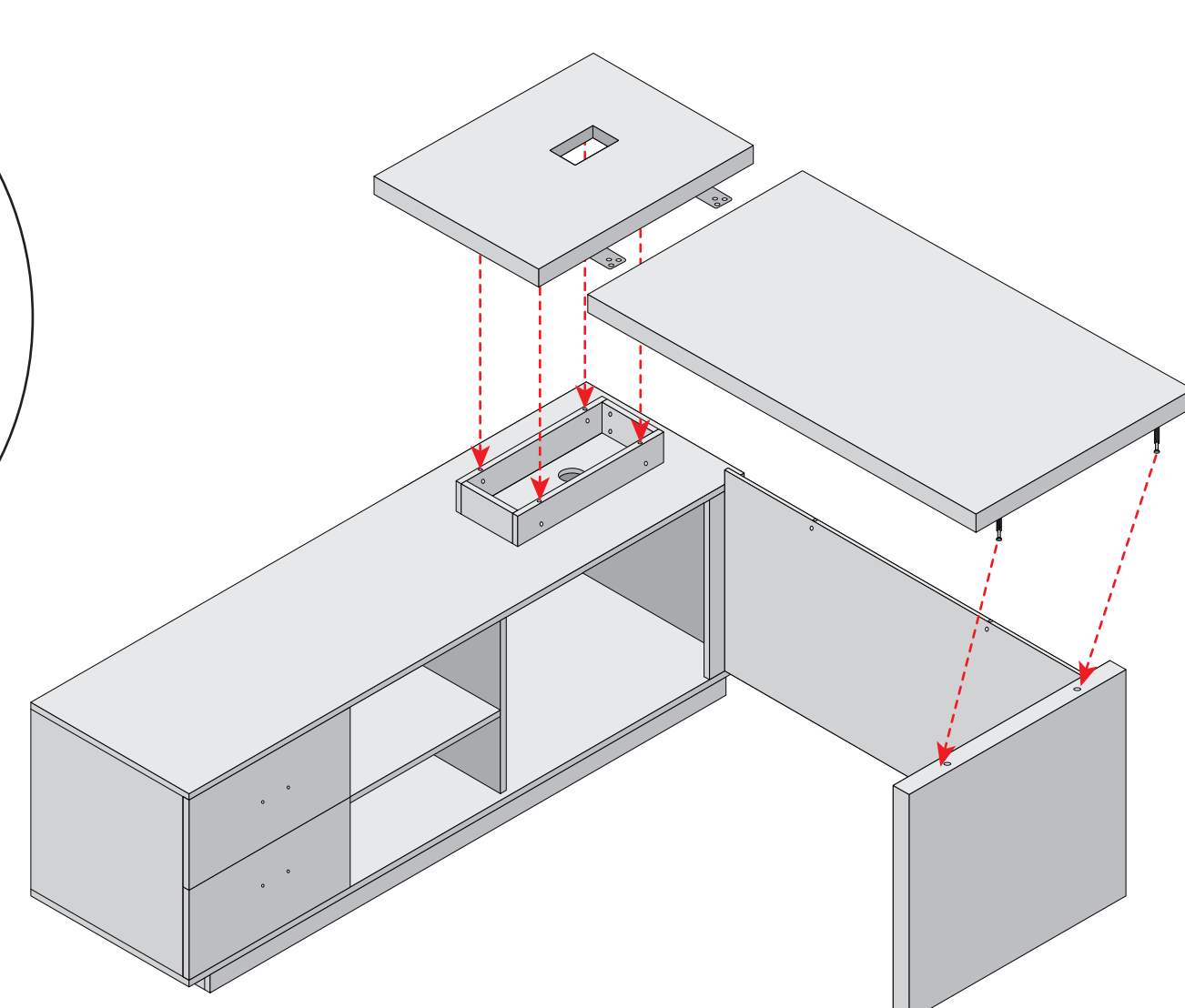
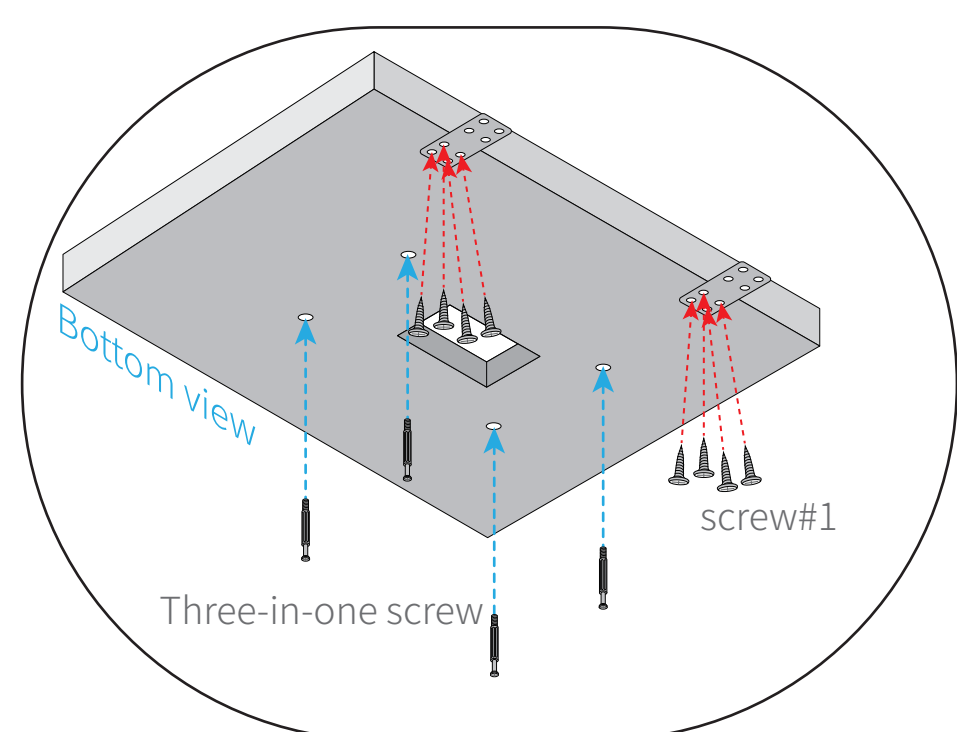
STEP 6

It is fixed by Eccentric nut



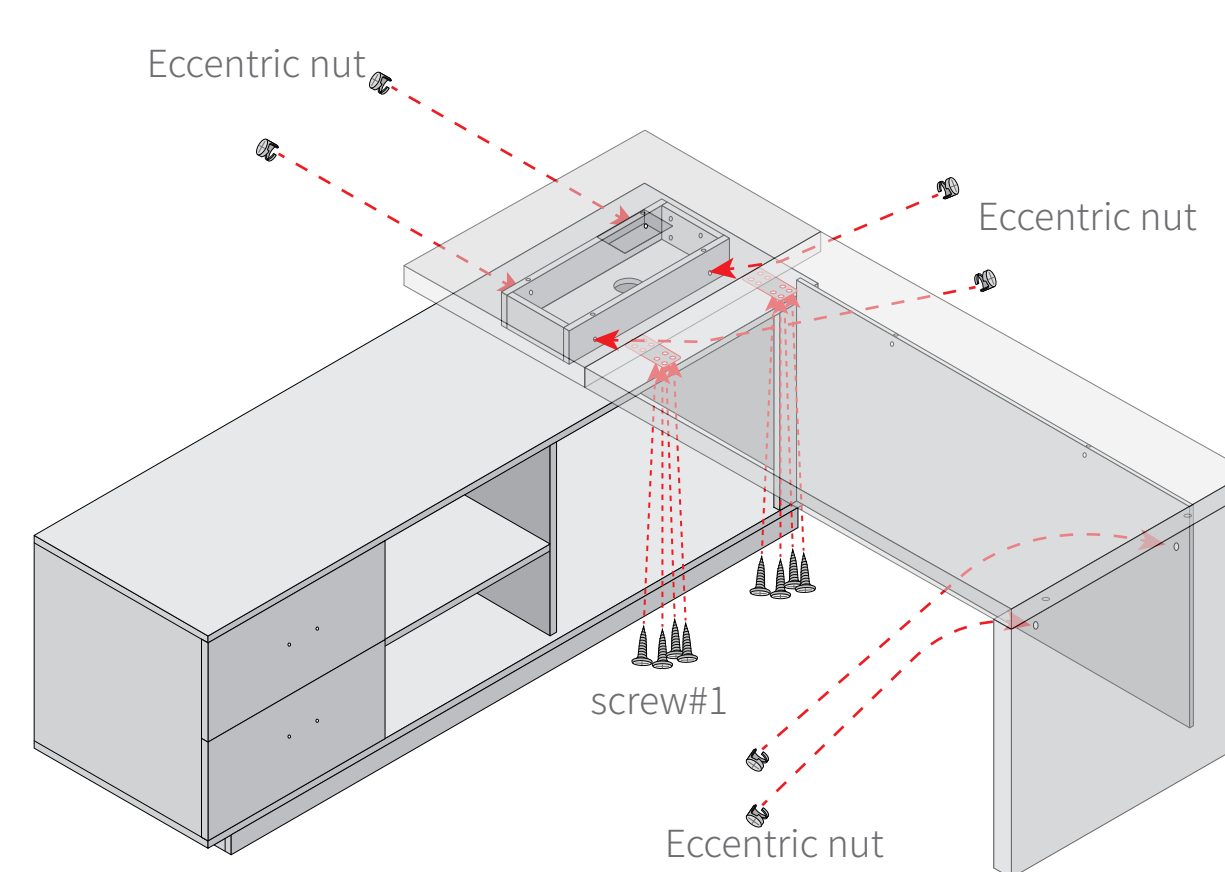
STEP 7

Install 3-in-1 screws on the bottom of the two tables tops,
Install two double-ended connectors on the bottom edge of Table board #2
Align the two table boards with the holes and install them



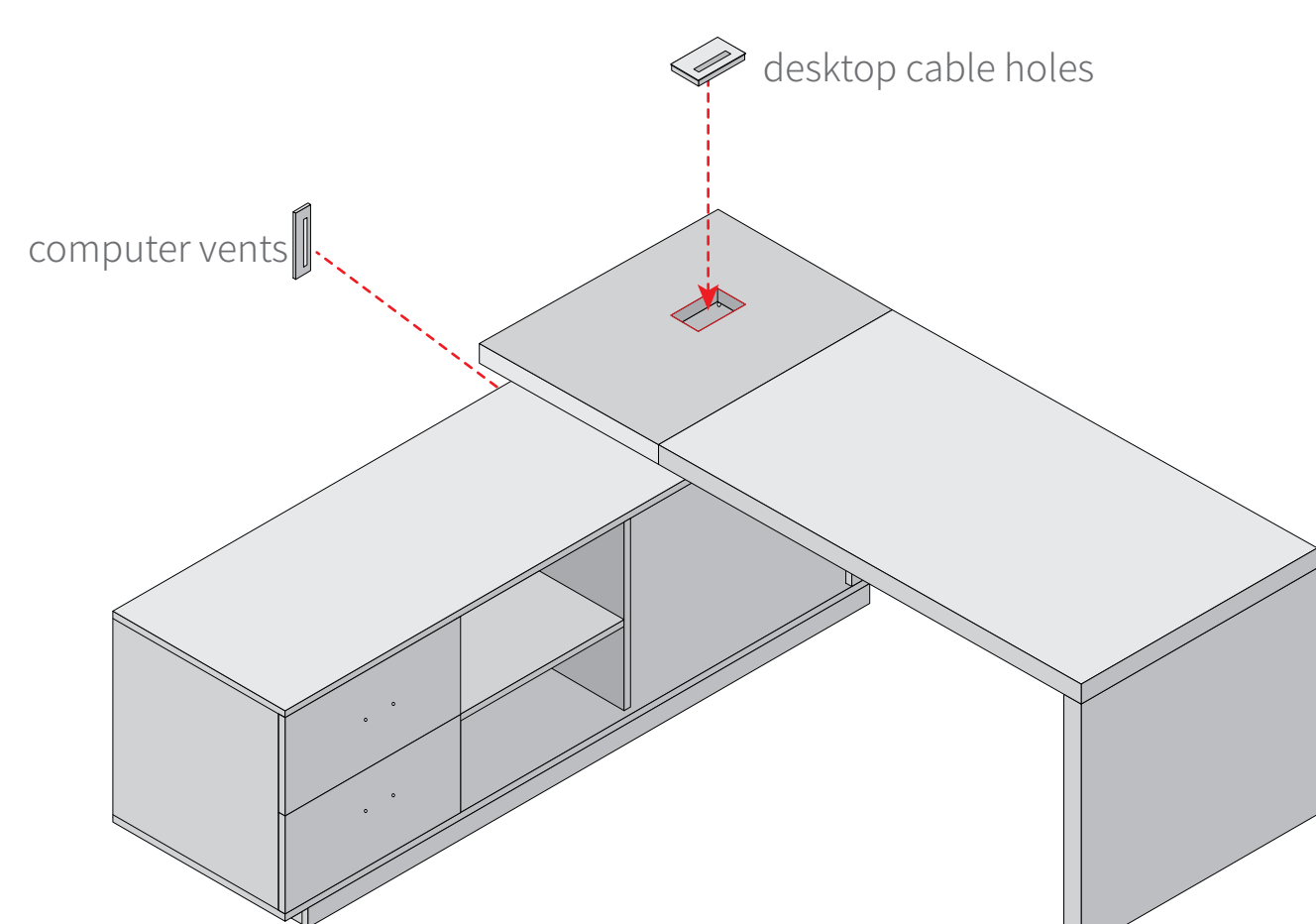
STEP 8

Use eccentric nuts on the left and right sides of the support frame.
Screws are used to secure the double-ended connector at the joint of the two tables



STEP 9

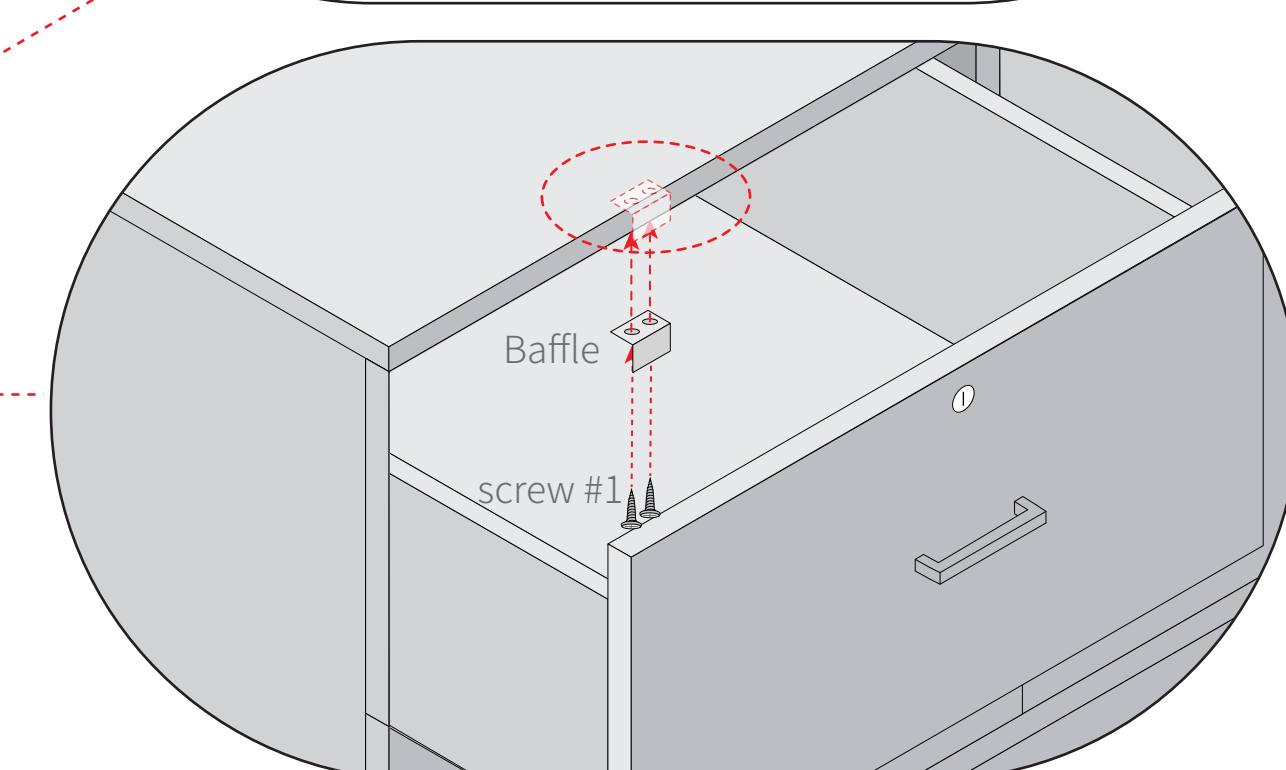
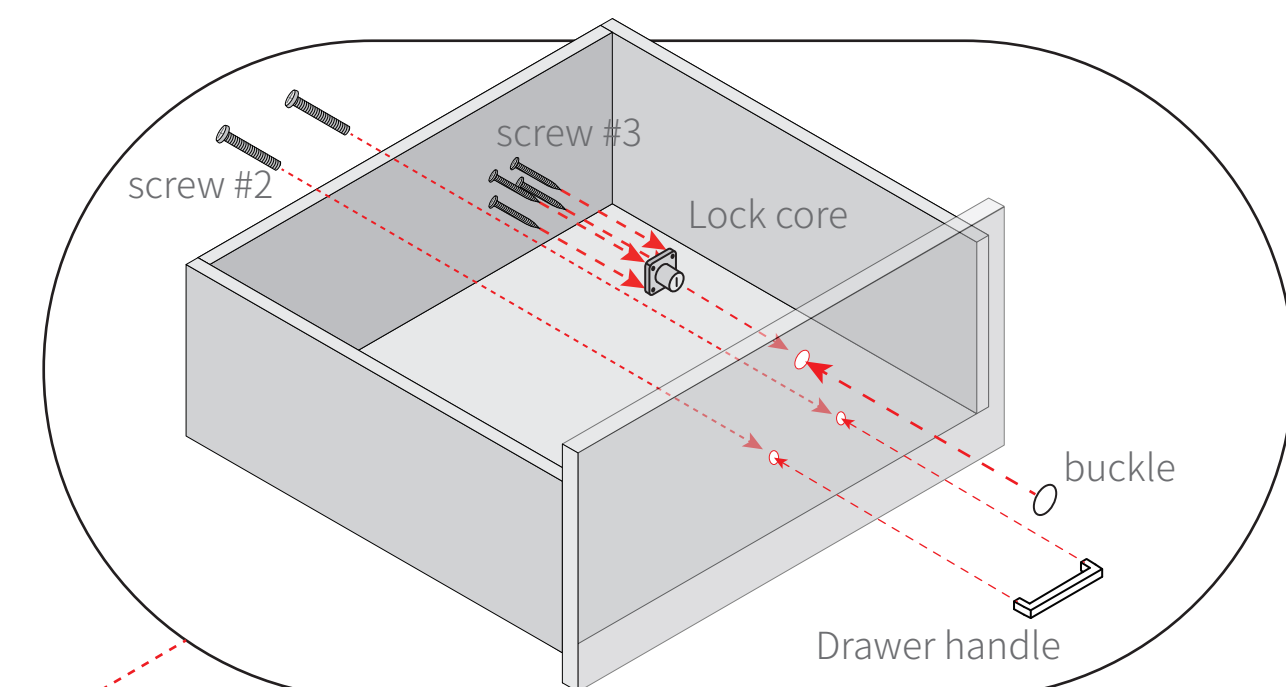
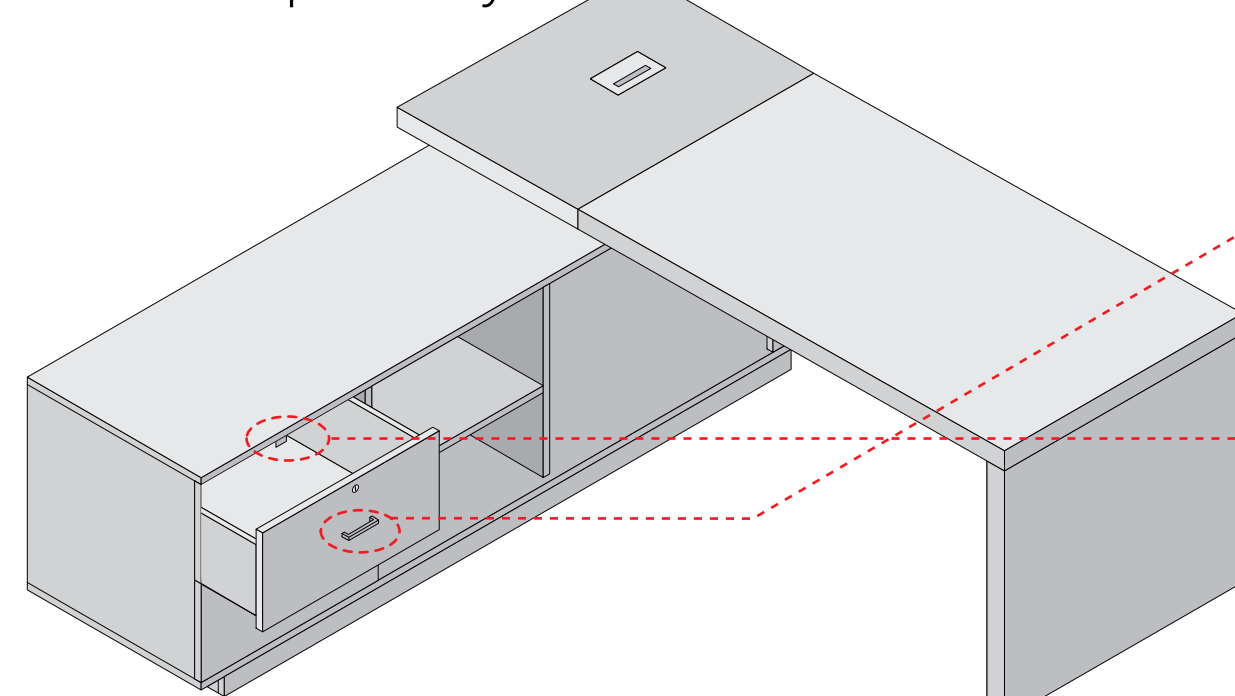
Install computer vents and desktop cable holes



STEP 10

Install the handle with screw #2 from the inside of the front panel of the drawer

Install the "Baffle" with "screw #3", corresponding to the position of the lock core, so that it fits precisely when locked



INSTALLATION COMPLETED

