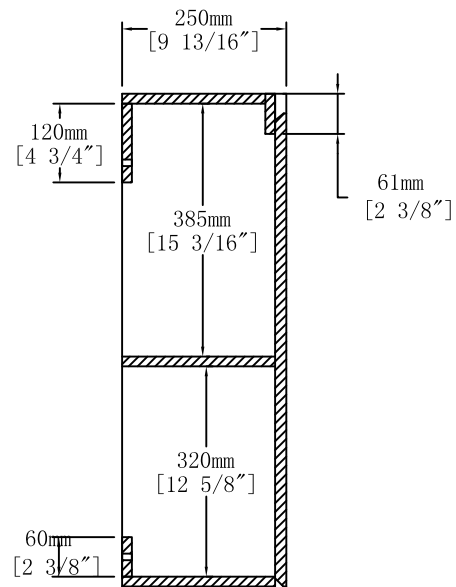
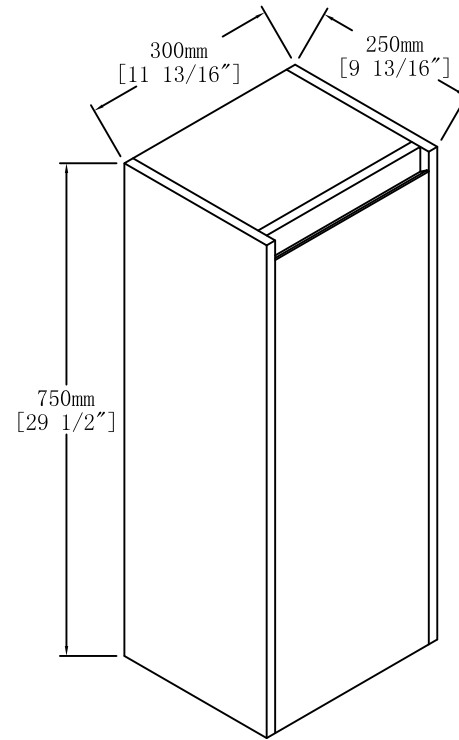


Front View



Side View



Item NO.

SC 00112

Version

V1

Project

Date

2024-5-4