



WARNING

Please read the instructions carefully and follow the assembly steps.

To ensure proper assembly, please follow all steps and use all parts provided. Not following this warning may result in serious injury to you or others.

To prevent misalignments, keep the screws loose and do not tighten them until they are all in their correct positions.

Avoid overtightening or forcing the screws, as this could cause them to break, strip, or damage the threads of the holes.

Using the wrong size of screws for a particular part could cause damage to the screw or the part.

Please lubricate all moving parts regularly and tighten all bolts and screws every 6 months, or as needed.

SAFETY INFORMATION

WEIGHT CAPACITY FOR SEATING: 250LBS



Sit in the center of the chair with your back against the backrest



Do not sit at the front edge of the chair



Do not push the chair around when a person is sitting in it



Do not stand on the chair



Do not push down on the backrest when a person is reclined



Do not use the chair with more than one person

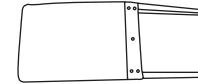


Do not place all your weight on the backrest only

ASSEMBLY PARTS AND TOOL

PLEASE MAKE SURE ALL THE PARTS ARE INCLUDED.

A



Backrest *1

B



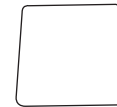
Front Legs *2

C



Black Cover *1

D



Seat Cushion *1

E



M8*55mm Bolt *5

F



M8*70mm Bolt *4

G



Spring Washer *9

H



Flat Washer *9

I



Allen Wrench *1

(NOTICE ALL YOUR PARTS ARE UNDER THE SEAT.)



BEFORE YOU GET STARTED, A FEW POINTERS:



Having a friend to help makes assembly extra-easy

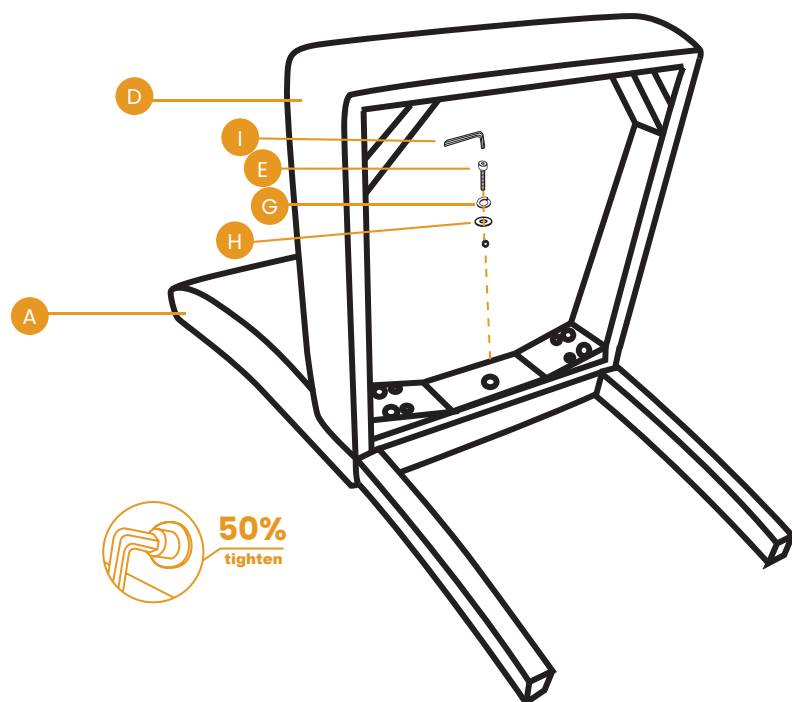


Please use the included wrench instead of an ELECTRIC HAND DRILL in case of damage to the product.

ASSEMBLY INSTRUCTIONS

STEP 1 Align the slots in the middle of Backrest A and Seat Cushion D, using One M8*55mm Bolt E, One Spring Washer G, and One Flat Washer H, tighten to 50% by Allen Wrench I.

Note: Please pay attention to the screw holes position of Backrest A and Seat Cushion D, below line-drawing for your reference.

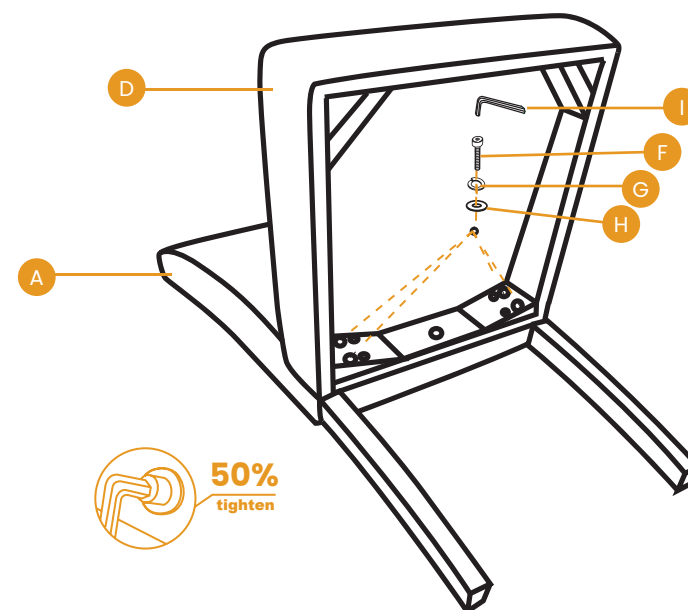


ASSEMBLY INSTRUCTIONS

STEP 2 On the right corner at the bottom of Seat Cushion D, using Two M8*70mm Bolts F, Two Spring Washer G and Two Flat Washer H, and tighten by Allen Wrench I.

Use the same step to finish the installation of the left corner at the bottom of Seat Cushion D. Then, tighten to 50% by Allen Wrench I.

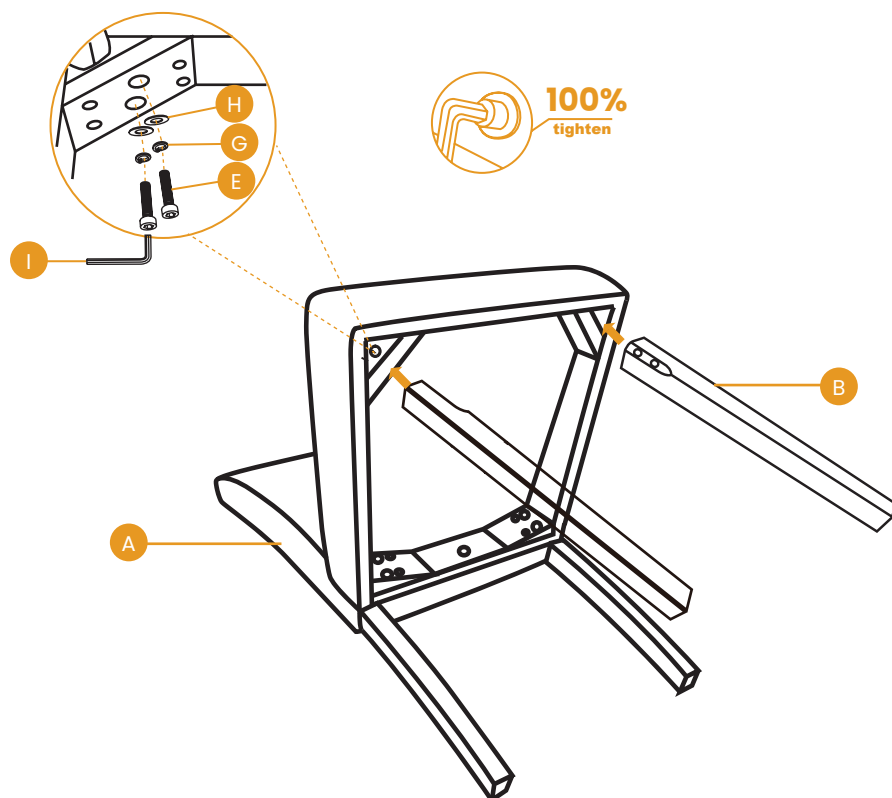
Note: Please pay attention to the screw holes position of Backrest A and Seat Cushion D, below line-drawing for your reference.



ASSEMBLY INSTRUCTIONS

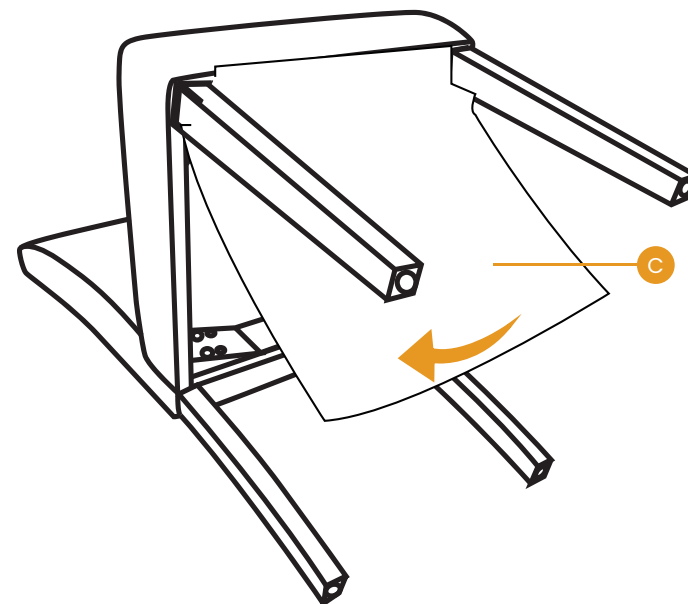
STEP 3 Attach Two Front Legs B to the finished seat body, using Two M8*55mm Bolt E, Two Spring Washer G and Two Flat Washer H on each side, and tighten to 50% by Allen Wrench J. Finally, tighten to 100% by Allen Wrench I.

Note: Please pay attention to the screw holes position of the corner at the bottom of Seat Cushion D, below line-drawing for your reference.



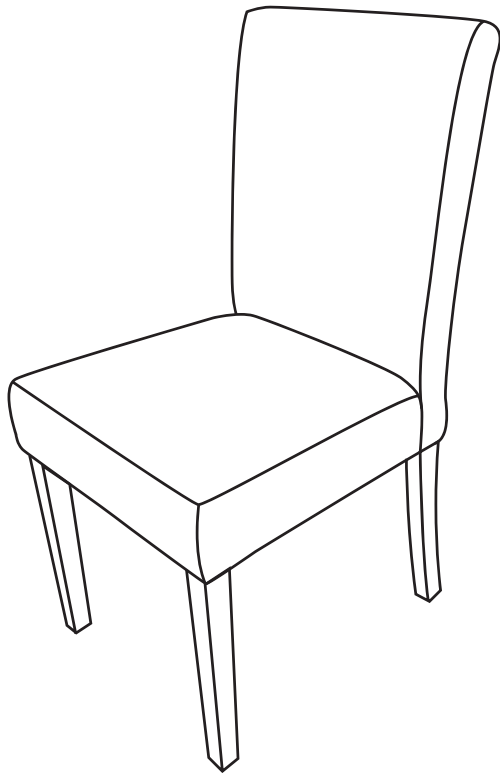
ASSEMBLY INSTRUCTIONS

STEP 4 Finally, attach Black Cover B to the bottom of Seat Cushion D by using Velcro, then put the finished chair upright on the ground. If the legs are uneven, adjust the foot nails to level the chair.



ASSEMBLY INSTRUCTIONS

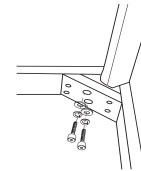
STEP 5 Now, your chair is successfully installed.



ATTENTION

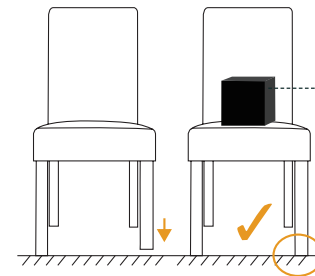
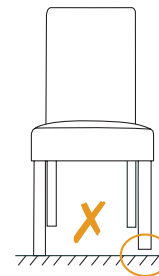
Please read the following instructions to help you assemble the dining chair faster.

Step 1



1. Partly screw in bolts, but do not fully tighten.

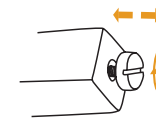
Step 2



Put pressure on the seat.
(About 44lbs/20kg)

2. Place the chair on a flat surface and apply pressure to the seat. Firstly tighten the middle bolt on the back, then both bolts on the sides, and finally the front legs. Make sure all bolts are fully tightened before using the chair.

Step 3



3. If the legs are uneven, you can also adjust the foot pegs at the bottom of the legs to improve balance.

LIMITED WARRANTY

promises to repair or replace any chair that is found to be defective in material or workmanship within one year from the date of original purchase, as long as you, the original purchaser, still own it. This is your sole and exclusive remedy under this warranty, subject to the provisions outlined below.

EXCLUSIONS

This warranty does not apply to, and no other warranty applies to:

- Normal wear and tear, which is to be expected over the course of ownership.
- Misuse, abuse, or excessive use of the product.
- Modifications or attachments to the product that are not approved by COLAMY.
- Products that were not installed, used, or maintained in accordance with the product instructions and warnings.
- Products used for rental purposes or unauthorized retail activities.

LIMITED WARRANTY

MAINTENANCE INSTRUCTIONS



Dust and clean up spills immediately using a clean, non-colored, lint-free cloth.



Use a mild soap solution and a damp cloth to remove stains.



Do not place hot items directly on the furniture surface without using a protective barrier.



For indoor use only. Do not place the furniture outside.



Do not place furniture in direct sunlight.



Do not write on the furniture surface without a padded barrier to protect it.



Do not clean furniture with harsh cleaners or polishes.



Do not place furniture near heating or cooling vents (keep at least 3 feet away)