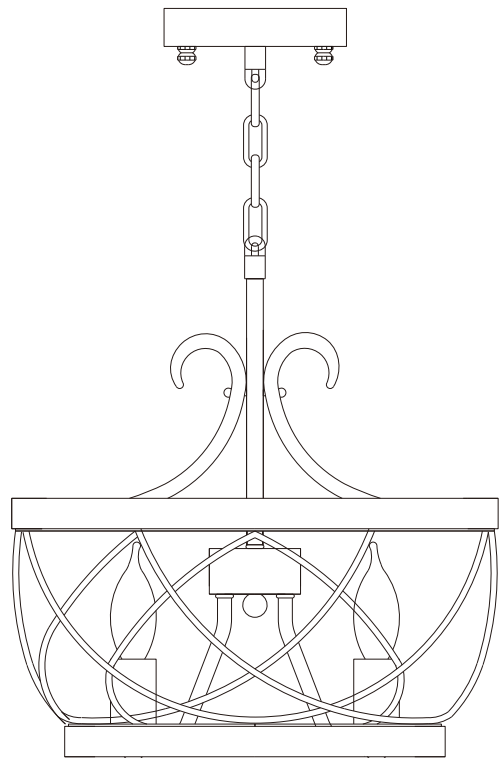
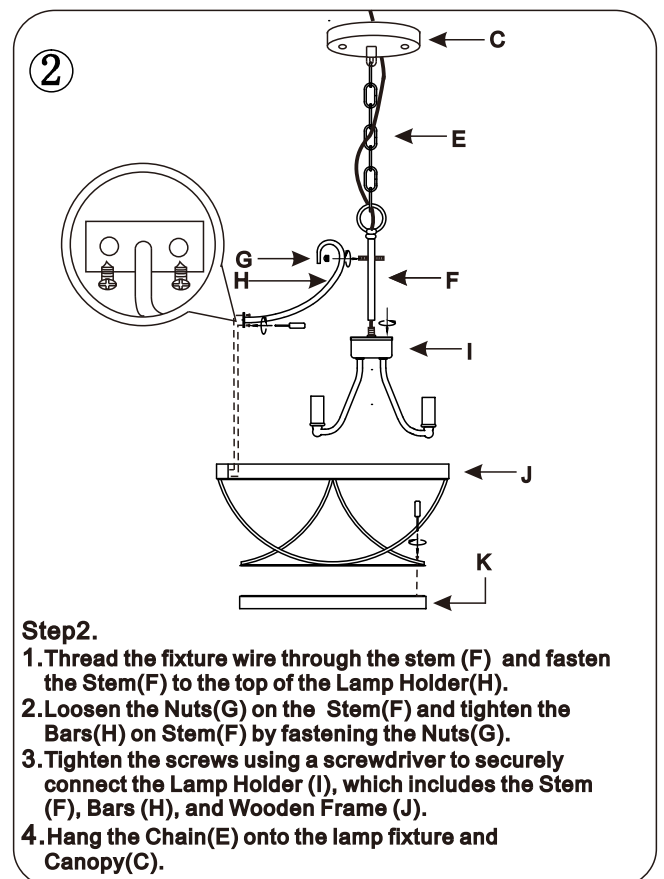
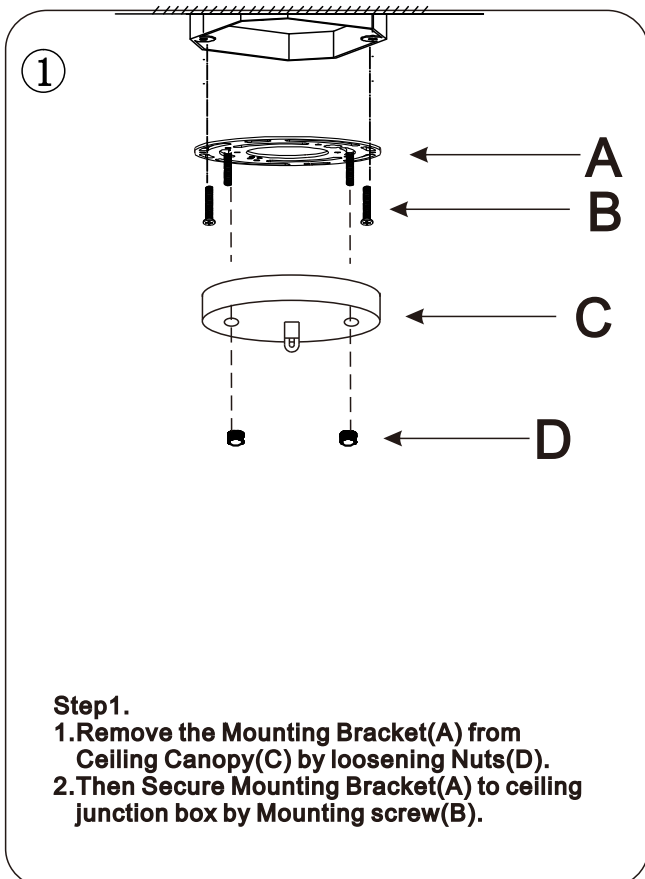


# INSTRUCTIONS



MADE IN CHINA



PLEASE READ INSTRUCTIONS IN THEIR ENTIRETY  
PRIOR TO ASSEMBLY AND INSTALLATION.

**SAFETY PRECAUTIONS:**

- a. Please carefully examine the cord, lamp holder, switch, and all other parts for damages. If any damage or defect is found, please return this fixture.
- b. This fixture use E12 Medium Bulbs Max. 40W. To avoid the risk of fire, do not use bulbs that exceed the 40W limit. We suggest using LED Bulbs for lower energy consumption and longer life span.
- c. Installing this fixture requires connecting electric wires, these connections must be in accordance with local and National Electrical Code(NEC) standards, we suggest hiring a licensed electrician to do this.
- d. Recommended for indoor use only, please keep this fixture away from water or moisture.
- e. Wipe clean using a soft, dry cloth or static duster. Always avoid the use of harsh chemicals and abrasives to clean fixture as they may damage the finish.

**ASSEMBLY & INSTALLATION GUIDE**

**ITEMS YOU NEED**

- a. Ladder
- b. Screwdriver
- c. Wire cutter/stripper
- d. Insulation tape
- e. 3 x E12 Bulbs (<40W)

**GETTING STARTED**

- 1. Carefully unpack all accessories and parts.
- 2. Place all components on a clean, flat and soft surface to prevent parts from getting scratched.
- 3. Shut off your main electrical supply at the fuse box or circuit breaker. Just turning off the light switch is not sufficient to prevent electrical shock!

