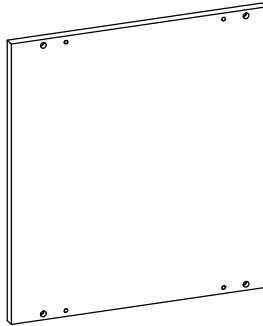
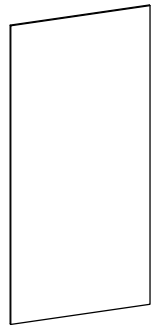


Ax2

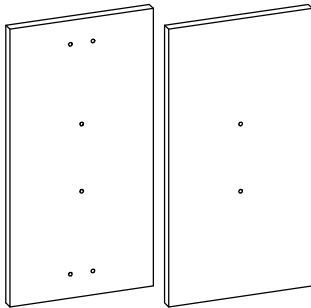


Bx1

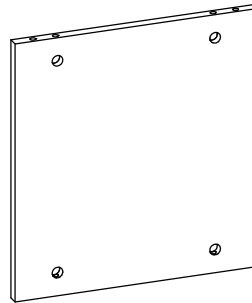


426x198
16.8x7.8

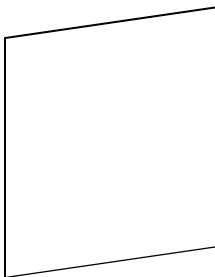
Cx2



Dx2



Ex1



341x300
13.4x11.8

Fx2



Gx1



Hx2



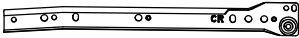
Ix4



300
11.8
DRx2



300
11.8
DLx2



300
11.8
CRx2



300
11.8
CLx2



Jx26



Kx26



Lx10



Mx38



Nx2



Ox2



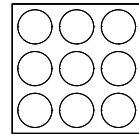
M3.5x $\frac{12}{0.5}$
Px2



M3.5x $\frac{12}{0.5}$
Qx16



M6x $\frac{12}{0.5}$
Rx8



Sx5

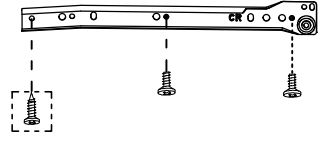
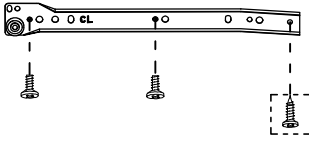


Tx4

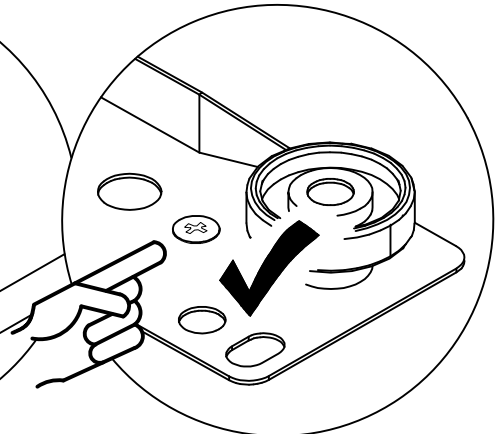
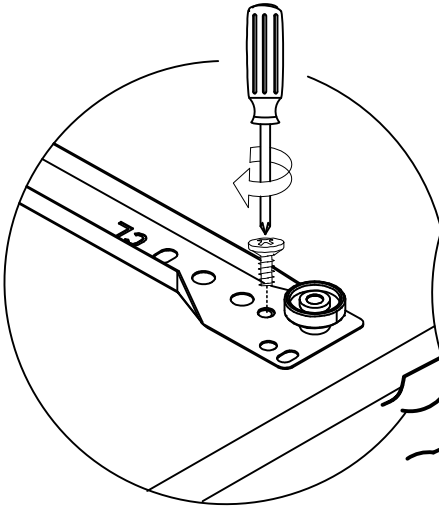
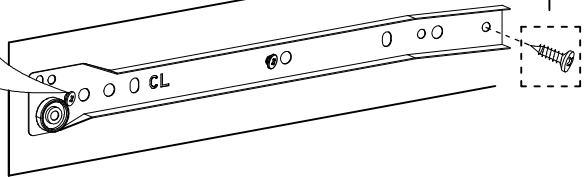
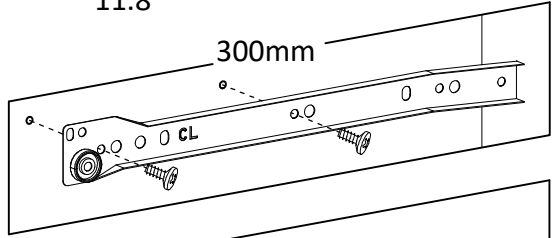
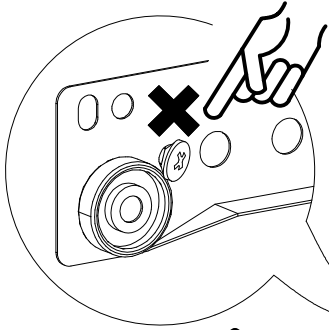


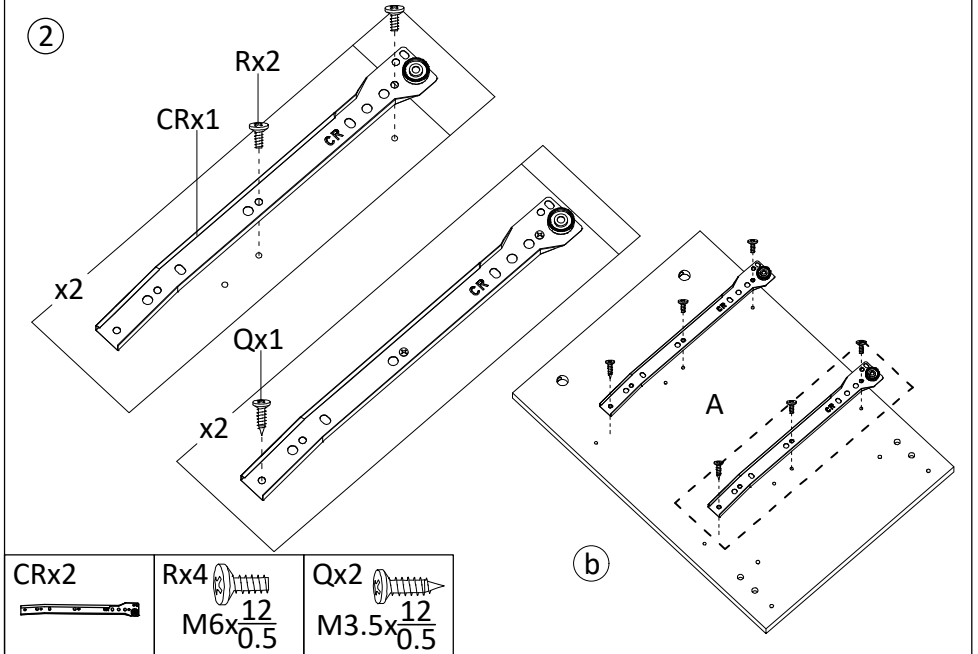
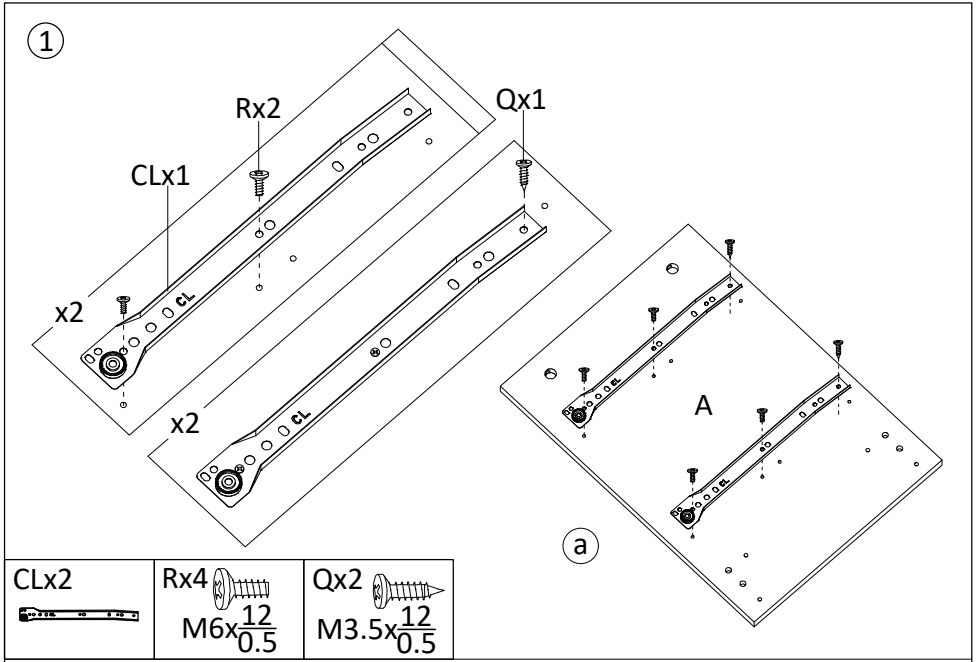
mm
inch

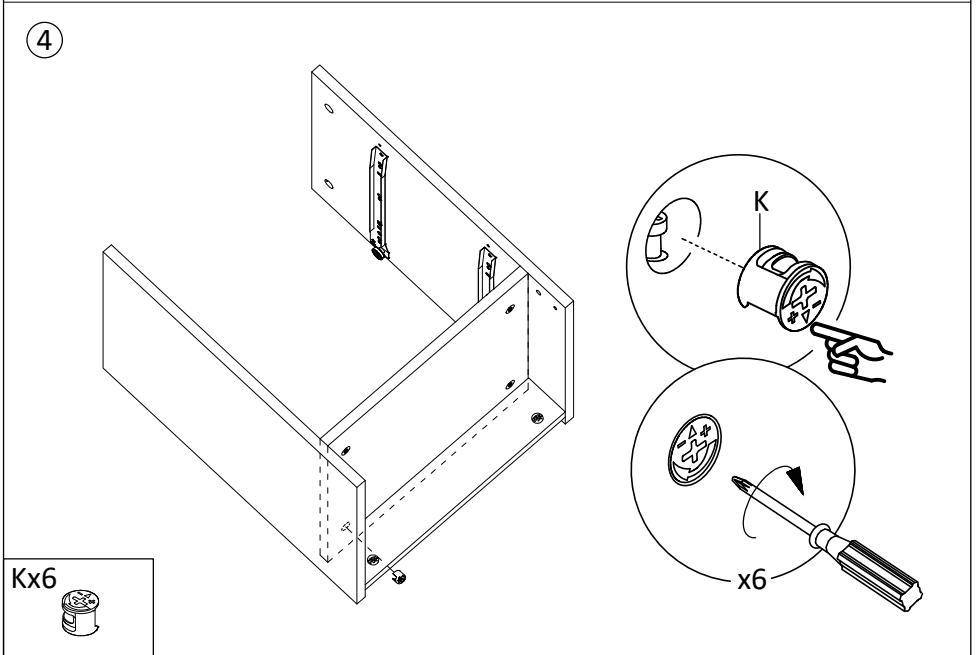
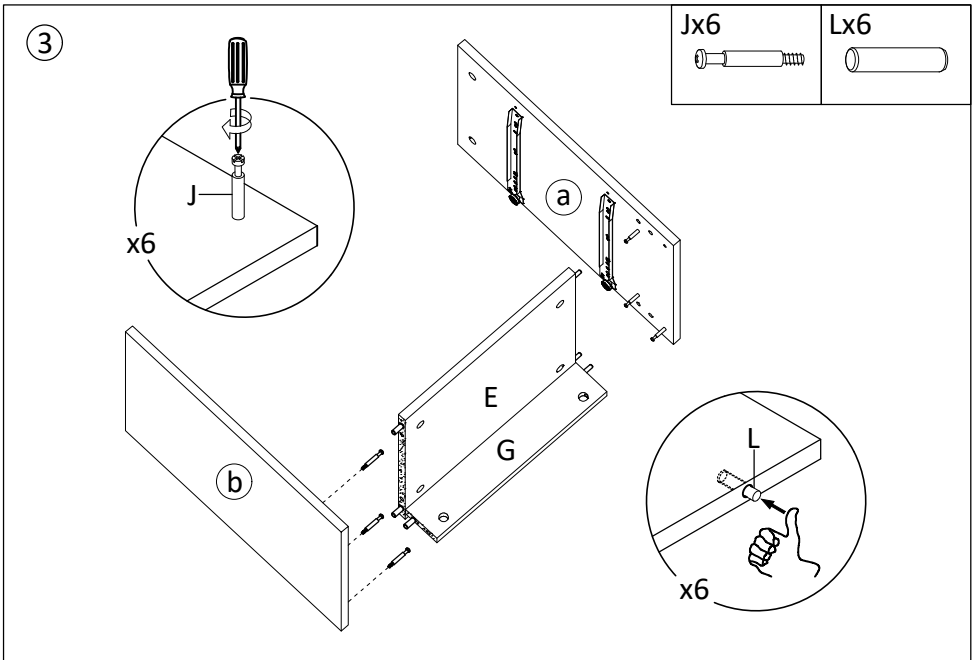
x2

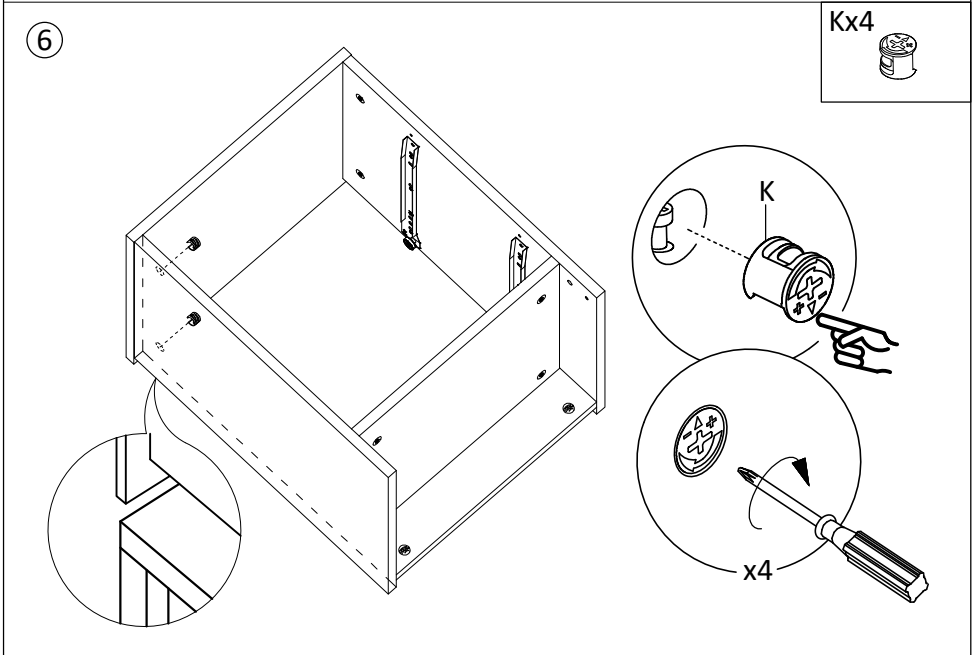
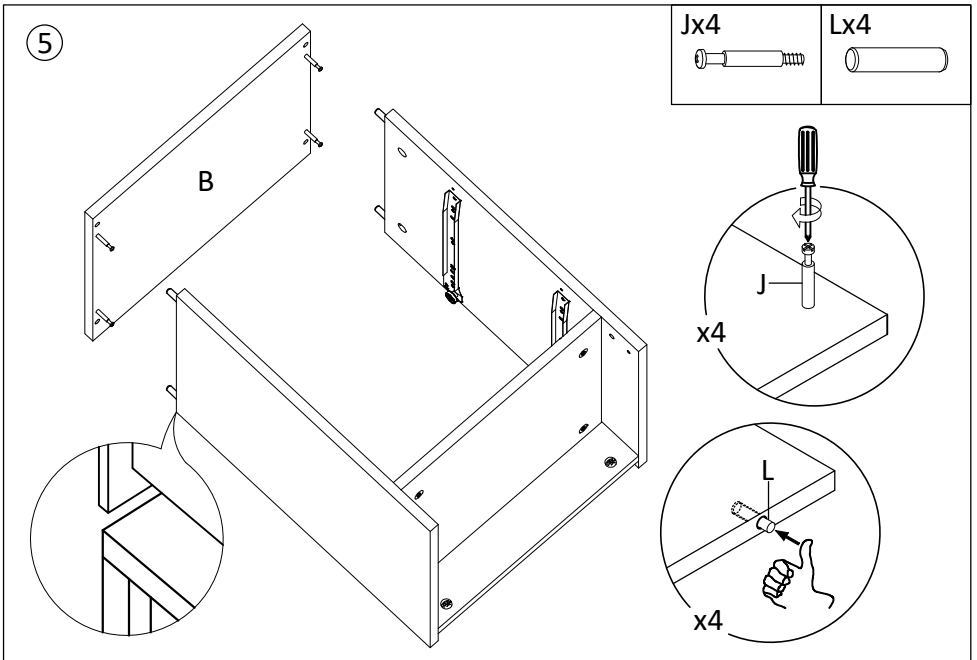


300 mm
11.8

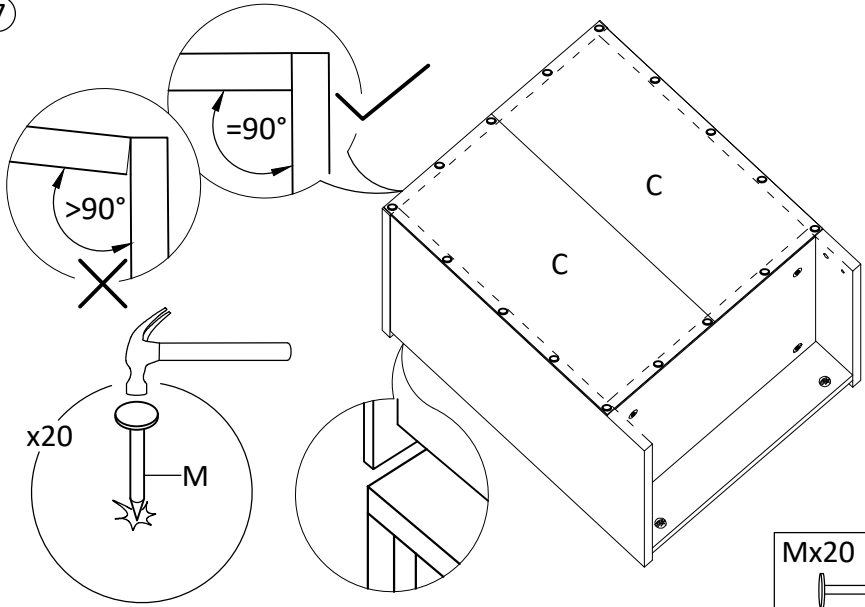




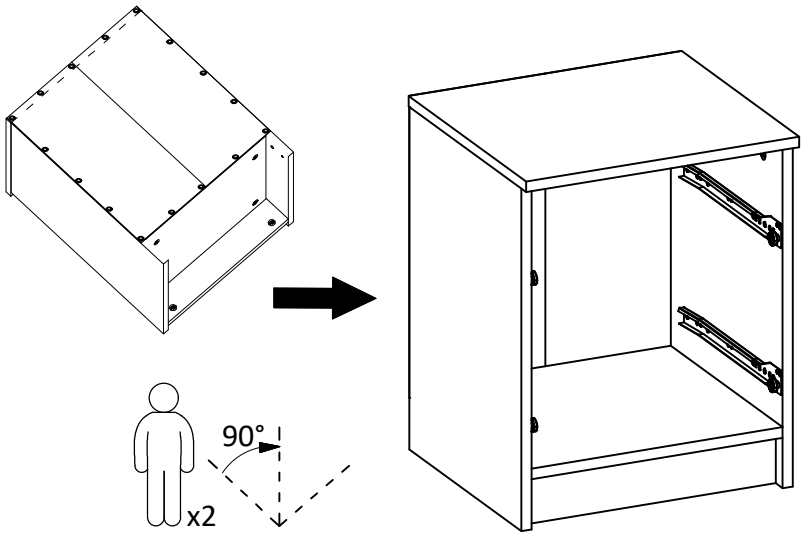




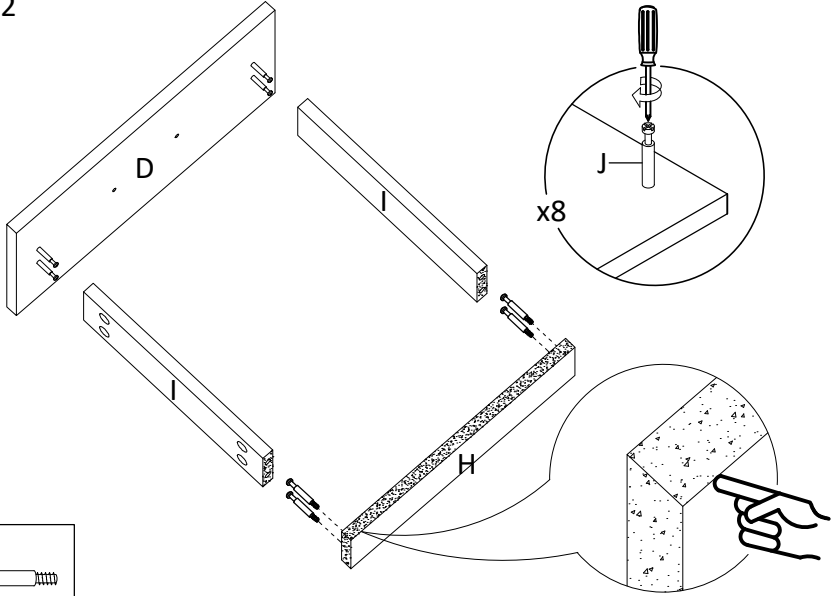
7



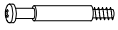
8



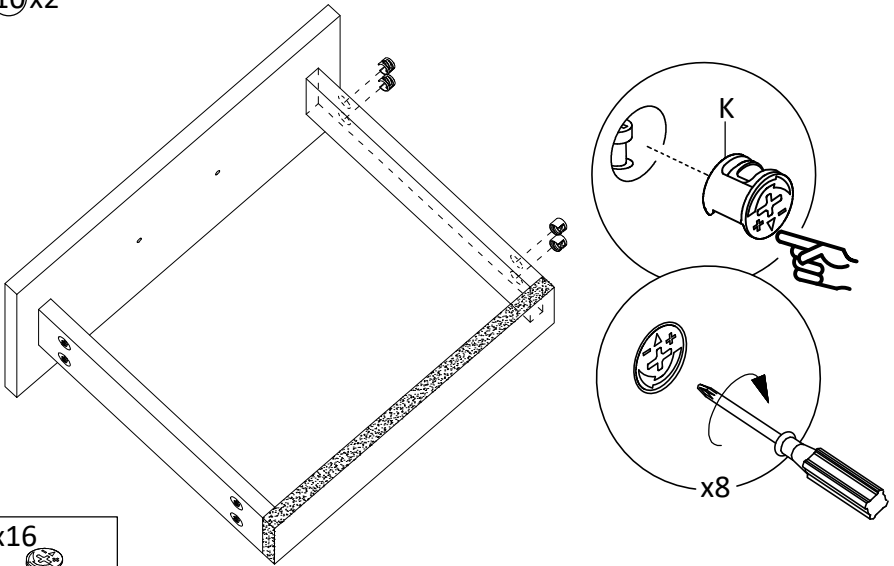
9x2



Jx16



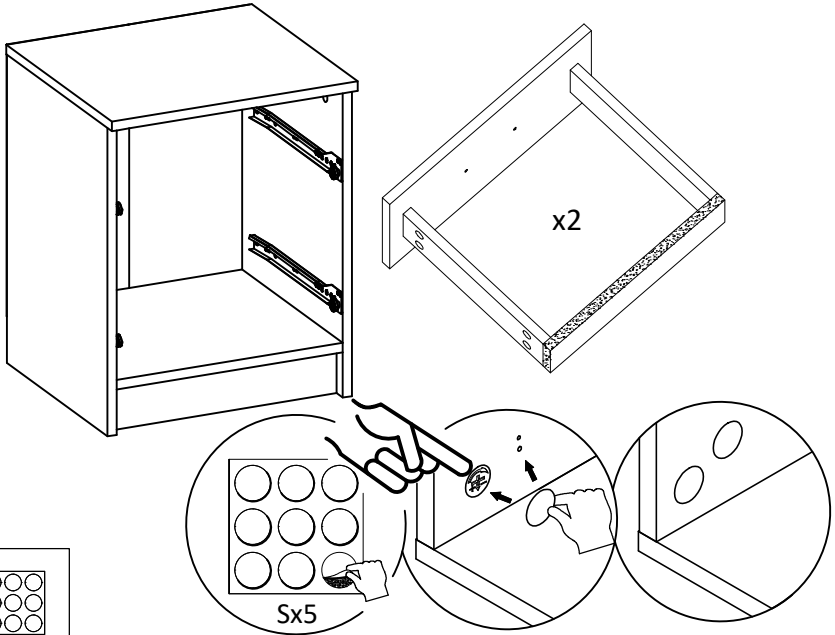
10x2



Kx16



11

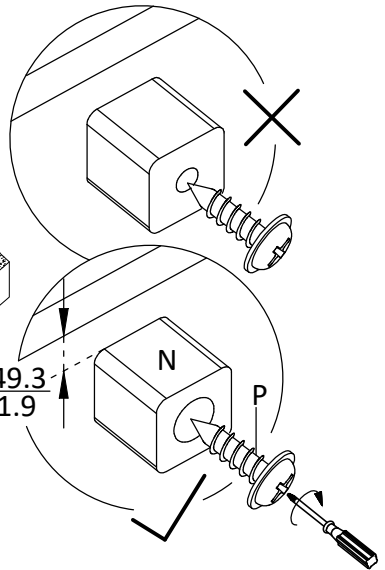
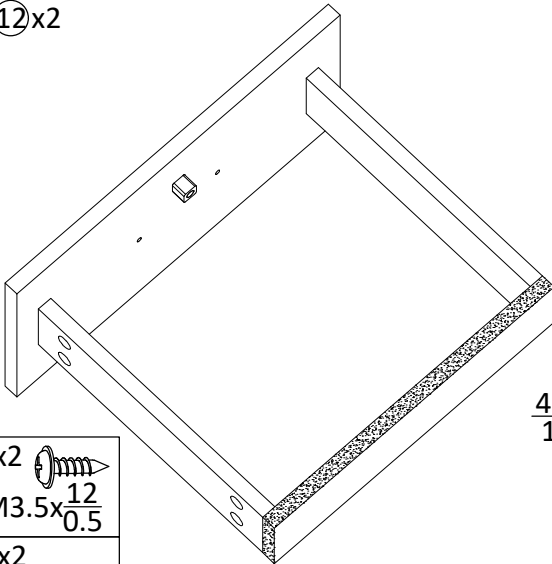


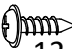
Sx5



Sx5

12x2



Px2  $M3.5 \times \frac{12}{0.5}$

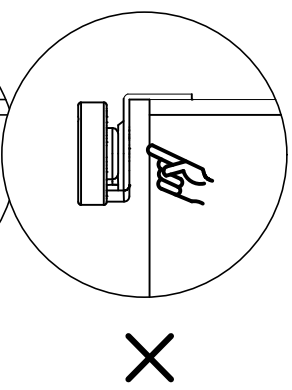
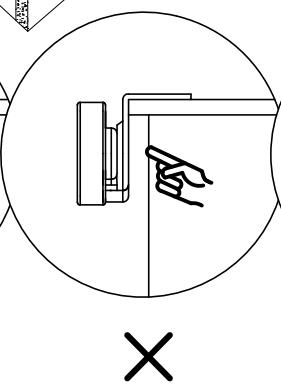
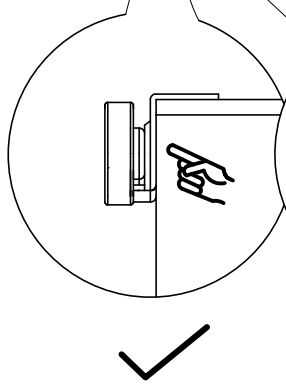
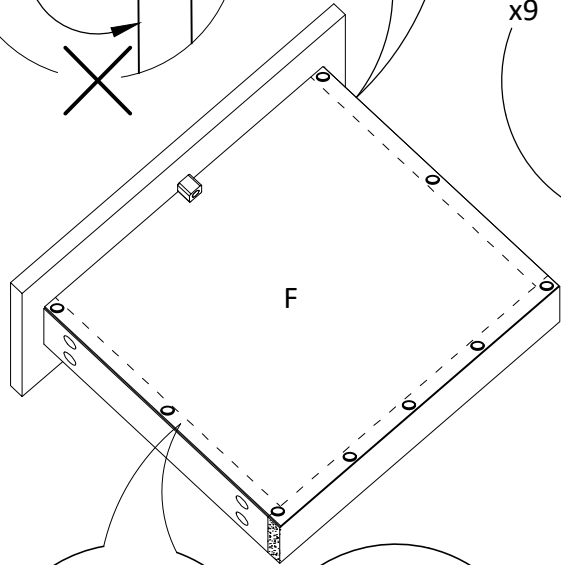
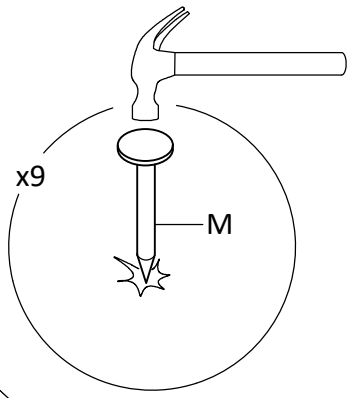
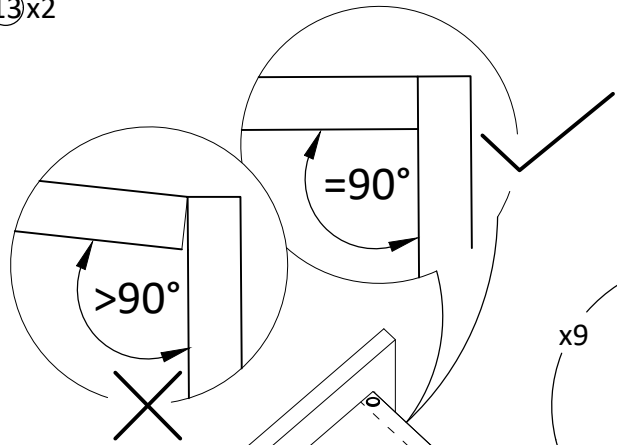
Nx2



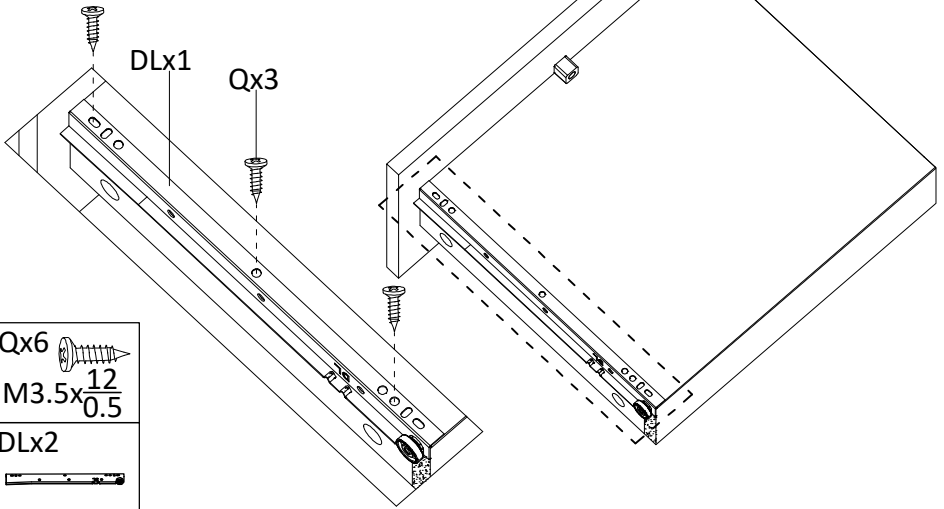
Mx18

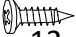




13x2

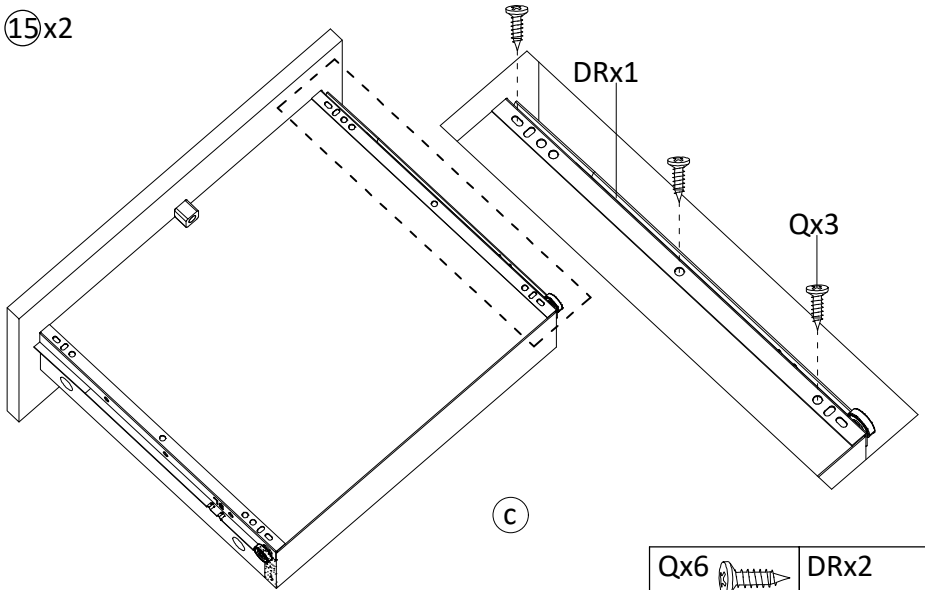


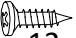


14x2



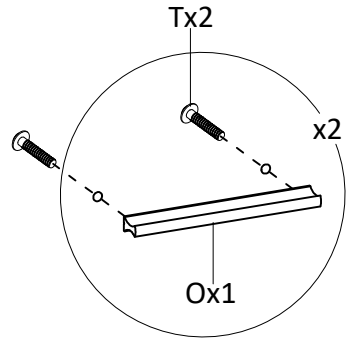
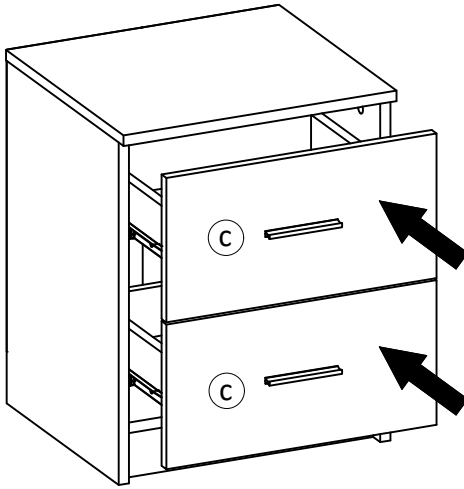
- Qx6 
- M3.5x $\frac{12}{0.5}$
- DLx2 
- DLx1 

15x2

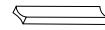


- Qx6 
- M3.5x $\frac{12}{0.5}$
- DRx2 
- DRx1 

16



Ox2



Tx4



17

