

NOTICE

- * Please make sure that you have all parts indicated and they are in good condition before you begin assembly of this item. Refer to part list and hardware list below for guidance.
- * This item should be assembled on a soft surface to prevent scratching the finish during assembly.
- * This item may require periodic tightening.
- * If you are having difficulty, our friendly Customer Care team is always here to help. Please email customersupport@safavieh.com












PREPARATION

- * Before beginning assembly of product, make sure all parts are present. Compare parts with part contents list and hardware contents list.
- * If any part is missing or damaged, do not attempt to assemble the product.
- * Estimated Assembly Time: 15 minutes.
- * Tools Required for Assembly (included): Allen key.

CARE AND MAINTENANCE

- * Always use felt pads under all articles to prevent discoloration or softening of the lacquer. Plastic and rubber bases on items can discolor wood. Wipe up spills immediately and avoid common hazards such as hot dishes, harsh solvents and abrasives. Cleaning should be done with a soft lint free cotton cloth dampened with water or furniture polish. On highly used surfaces we recommend applying a quality paste wax which should be used on a regular basis to provide additional protection from scratches and spills. How often you apply the wax depends on how much wear the furniture receives.

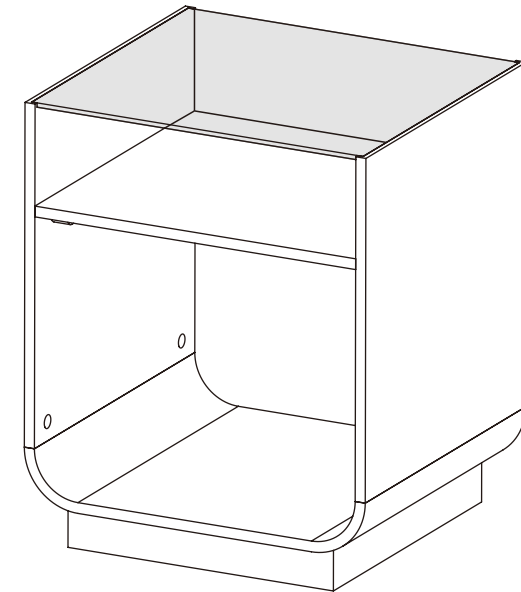
Part List and Hardware List

PIECE	DESCRIPTION	PICTURE	QUANTITY
A	Top glass		1X
B	Shelf		1X
C	Side panel		2X
D	Wood bar		2X
E	Bottom base		1X
HW1	Bolt(M6x0.5x35MM)		8X
HW2	Flat Washer		8X
HW3	Allen key		1X
HW4	Wooden Dowel		6X
HW5	Cam Bolt		4X
HW6	Cam Lock		4X

 **SAFAVIEH**
FURNITURE

Model# ACC2329

Product Dimensions: 20"W X 18"D X 23"H

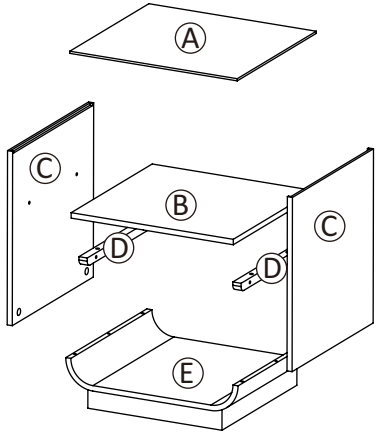
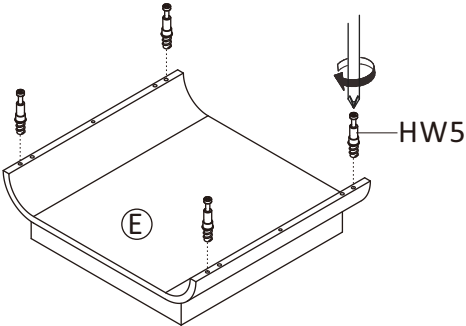
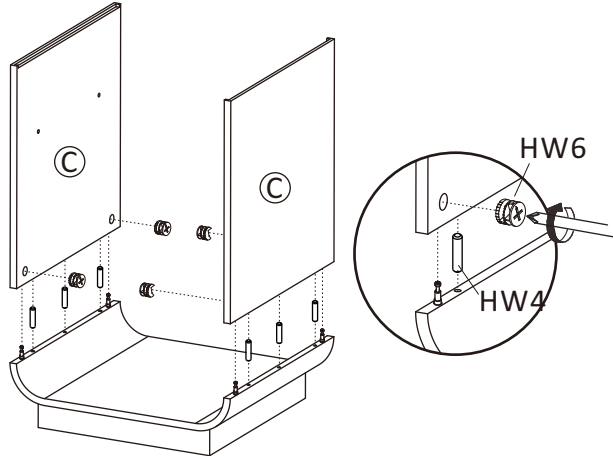
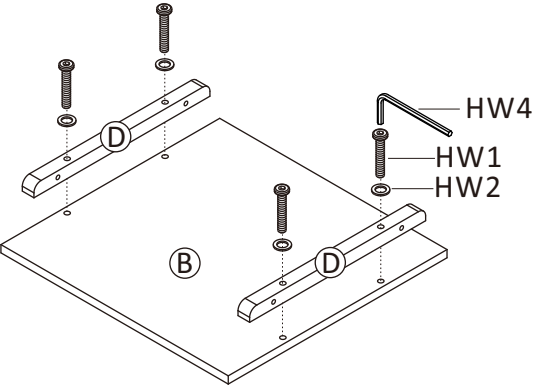
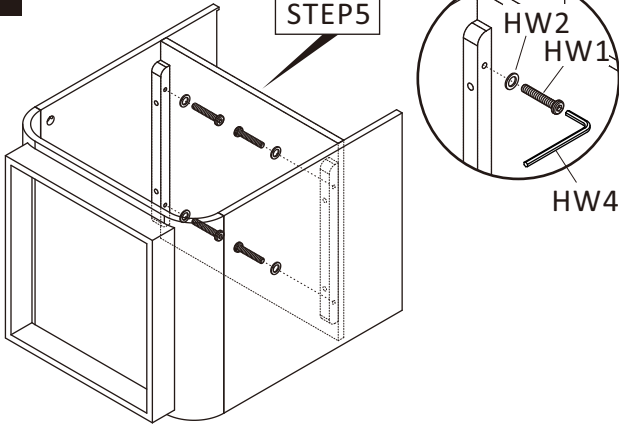
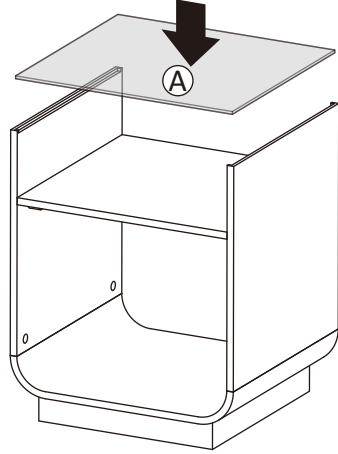


⚠ WARNING ⚠

- Weight Capacity -50 lbs of each shelf.
- Warning: Do not stand on product.
- Warning: Do not over torque bolts.

PREPARATION

- * Before beginning assembly of product, make sure all parts are present. Compare parts with part contents list and hardware contents list.
- * If any part is missing or damaged, do not attempt to assemble the product.
- * Estimated Assembly Time: 15 minutes.
- * Tools Required for Assembly (included): Allen Key.
- * If you are having difficulty, our friendly Customer Care team is always here to help. Please email customersupport@safavieh.com

 <p>1</p>	 <p>2</p>	 <p>3</p>
<p>Step1:Take all parts out.</p>	<p>Step2: screw cam bolt (HW5) in the the base</p>	<p>Step3: insert the wood dowel (HW4)into the base and attach side panel (C) to it then lock (HW6) from inside</p>
 <p>4</p>	 <p>5</p>	 <p>6</p>
<p>Step4: Attach wood bar (D) to the bottom of Shelf then tighten the bolt</p>	<p>Step5: Attach shelf to the end table screw from inside</p>	<p>Step6:Place the glass on to the table top</p>