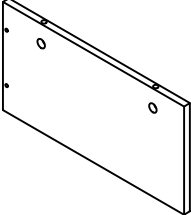
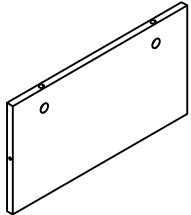
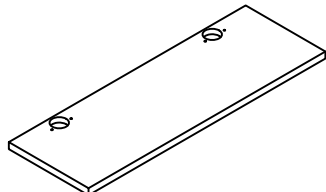
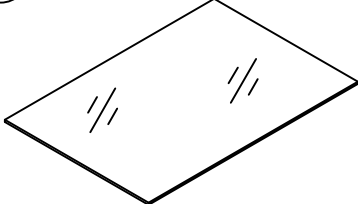







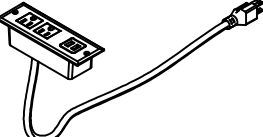
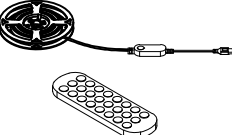
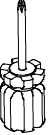
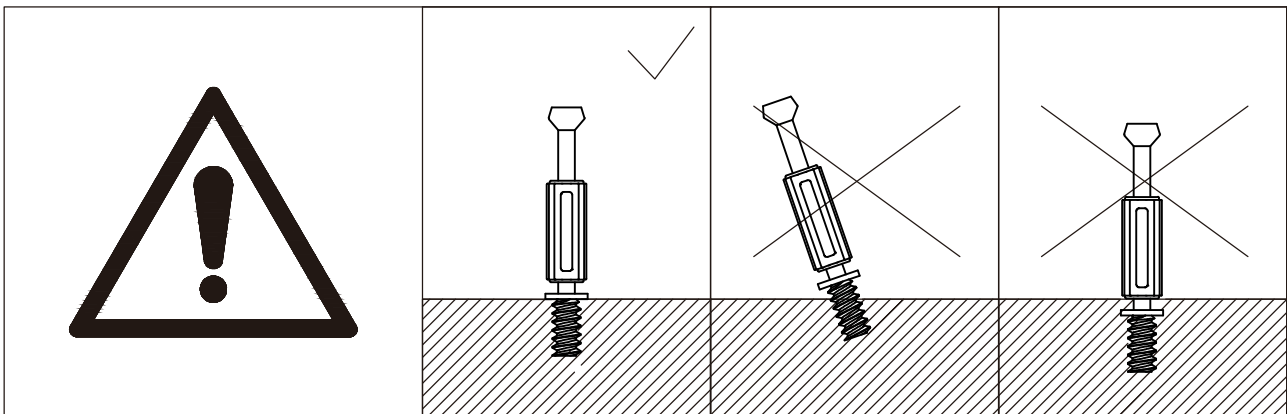
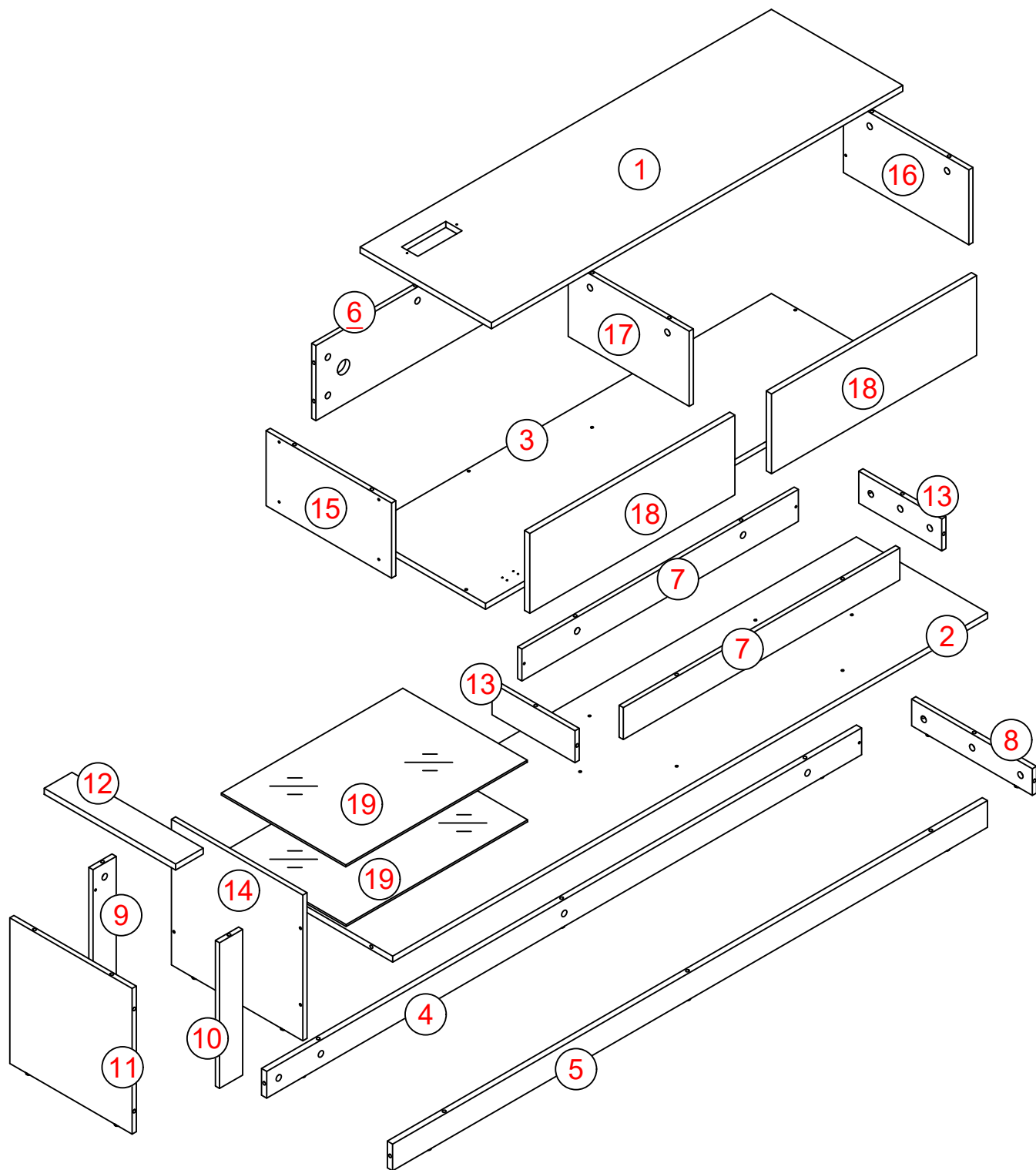


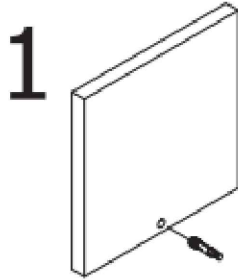
<p>16</p>  <p>X1</p>	<p>17</p>  <p>X1</p>	<p>18</p>  <p>X2</p>					
<p>19</p>  <p>X2</p>							
<p>(A) M5X42</p>	<p>(B) Ø15X10</p>	<p>(C) M5X40</p>	<p>(D) M3.5X14</p>	<p>(E)</p>	<p>(F)</p>	<p>(G) 15MM</p>	<p>(H)</p>
 <p>43 PCS</p>	 <p>43 PCS</p>	 <p>19 PCS</p>	 <p>26 PCS</p>	 <p>8 PCS</p>	 <p>10 PCS</p>	 <p>4 PCS</p>	 <p>1 PC</p>
<p>(J)</p>							
 <p>1 PC</p>	 <p>1 PC</p>						





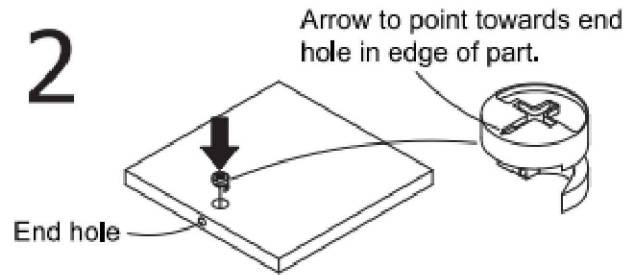
## CAM LOCK FASTENING SYSTEM

This Cam Lock Fastening System will be used throughout the assembly process.



1 Press CAM BOLT into hole.

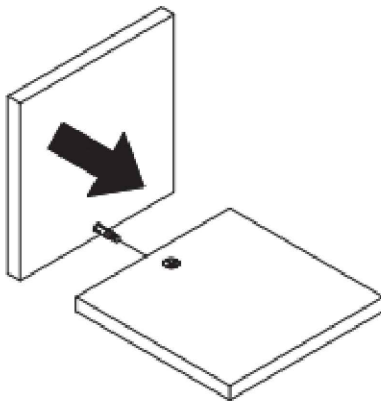
2



End hole

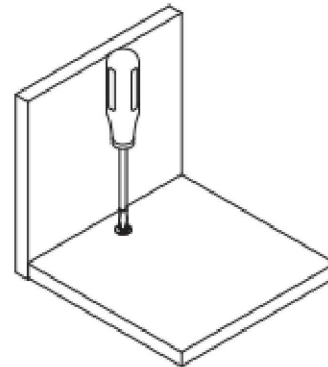
Press CAM LOCK into hole.

3



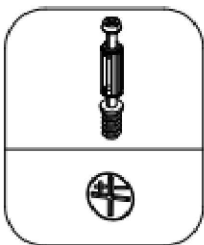
Press parts together so CAM BOLT inserts into edge hole.

4

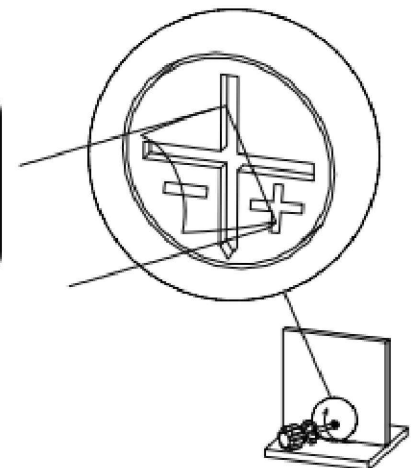
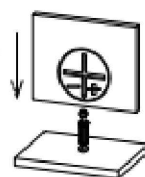
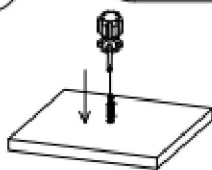


Using a screwdriver, turn the CAM LOCK clockwise to lock the CAM LOCK and CAM BOLT into their holes and fastening parts together.

### M5X42



Notice: Proper orientation of CAM LOCK



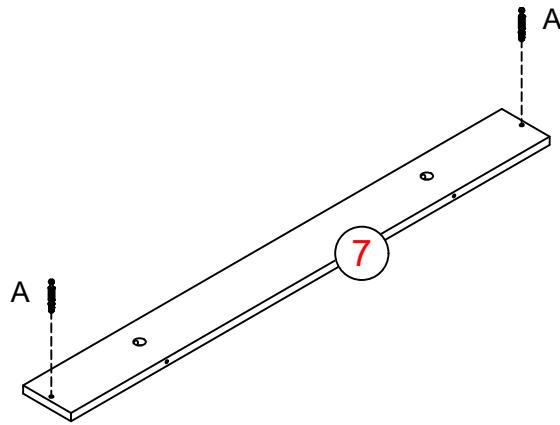


1

Ⓐ M5X42



4 PCS



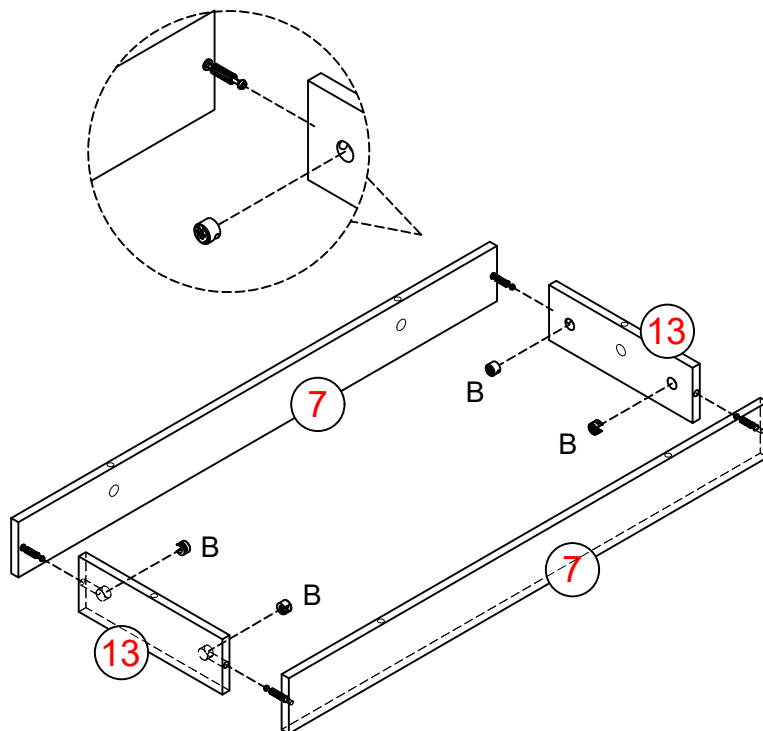
X2

2

Ⓑ Ø15X10

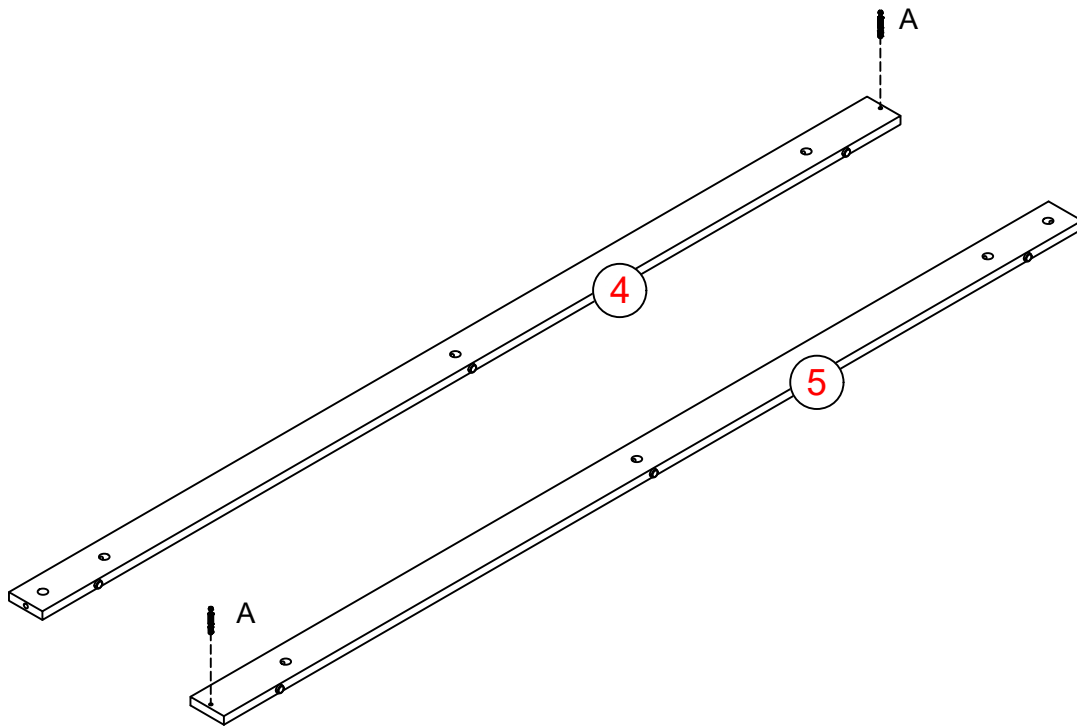


4 PCS





3

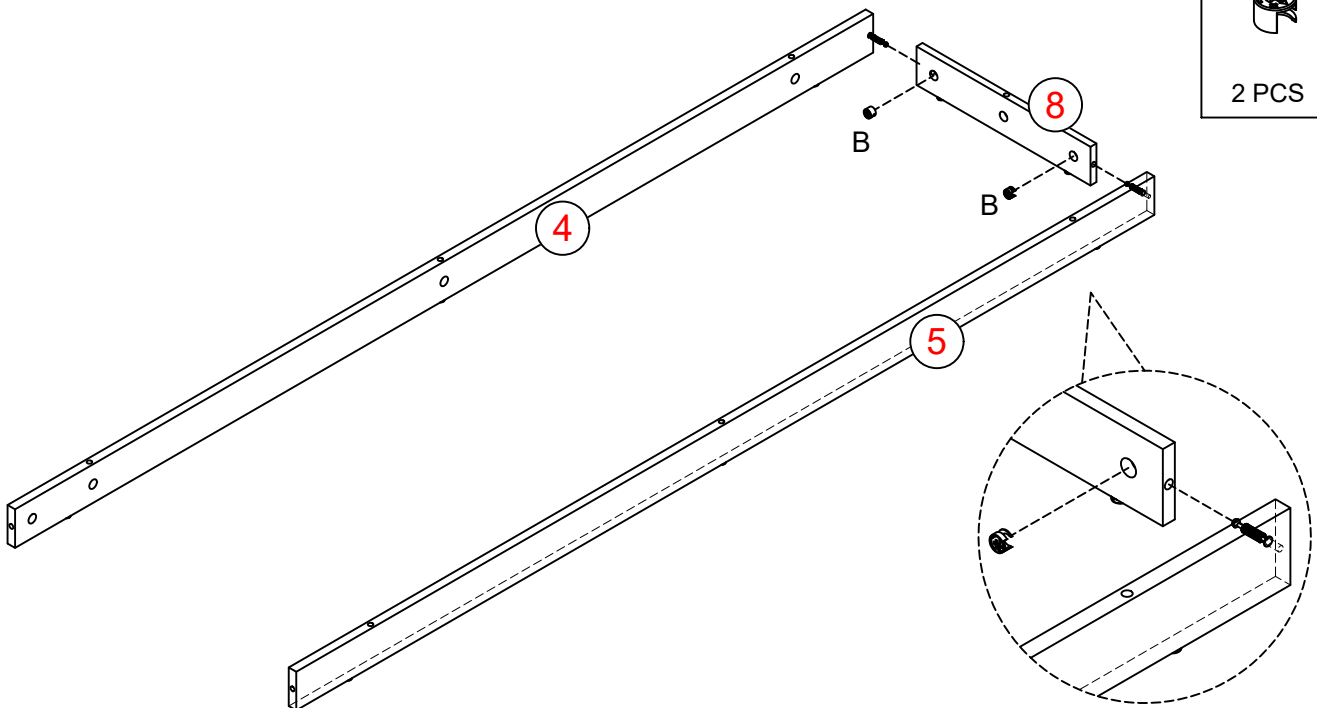


(A) M5X42



2 PCS

4

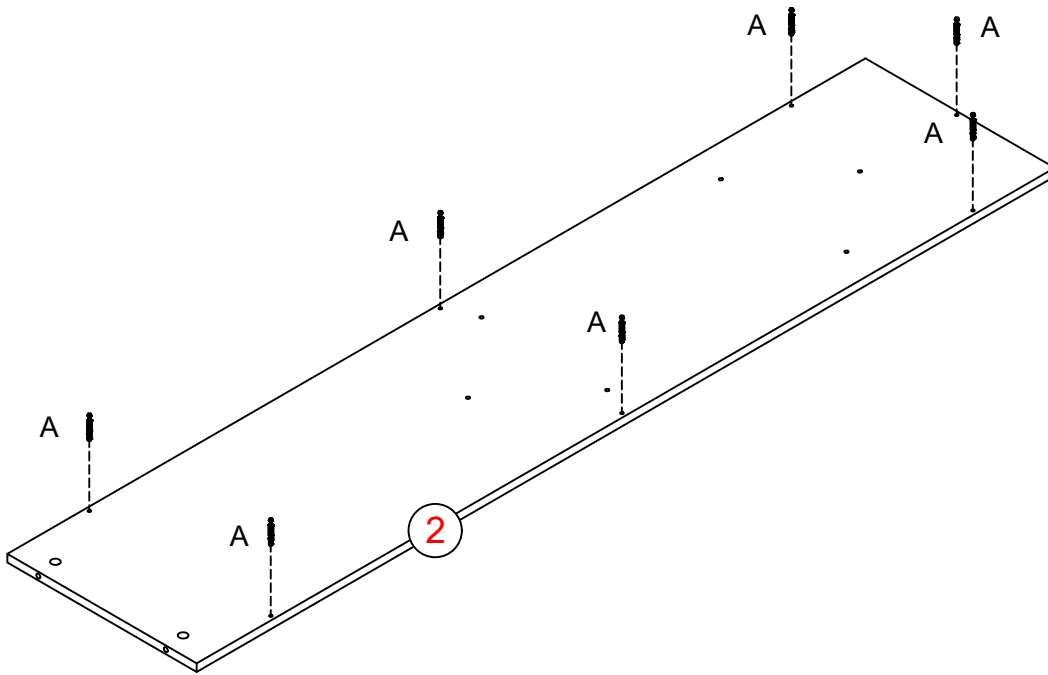


(B) Ø15X10



2 PCS

5

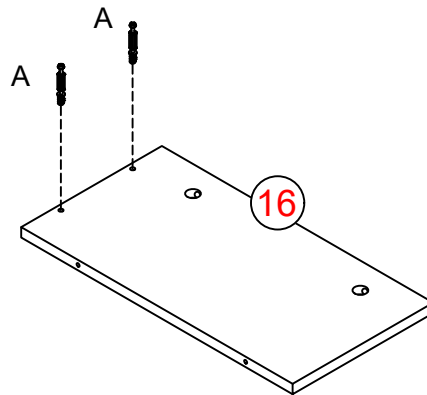
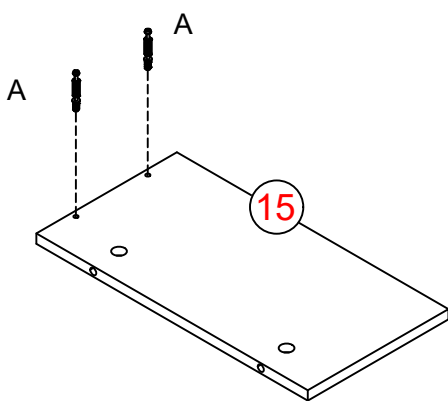


(A) M5X42



7 PCS

6





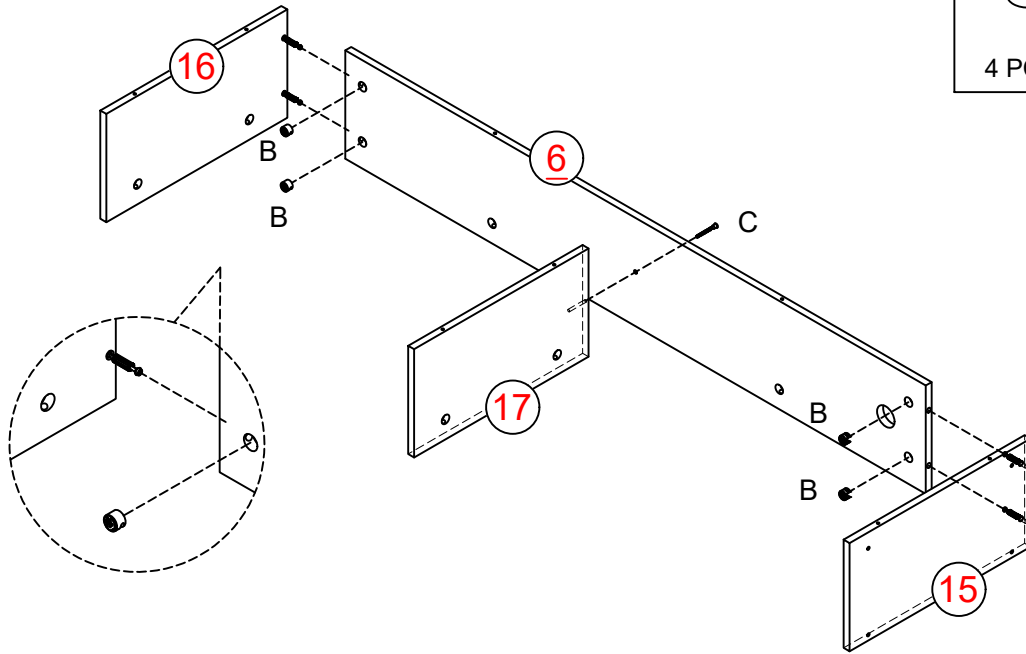
(A) M5X42




4 PCS

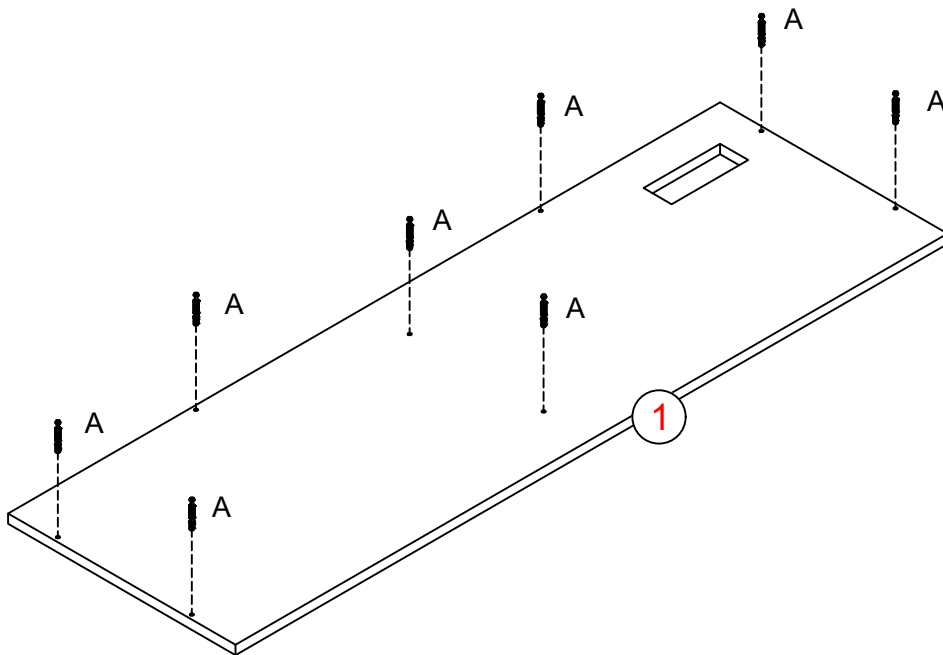
7

(B) Ø15X10	(C) M5X40
	
4 PCS	1 PCS

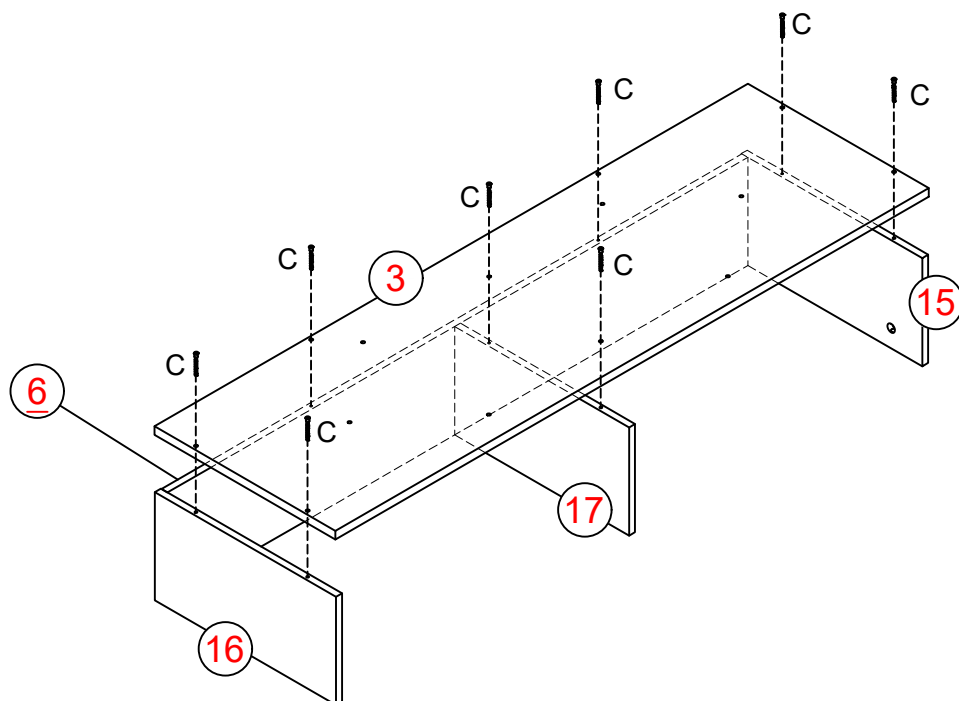


8

(A) M5X42

8 PCS



9

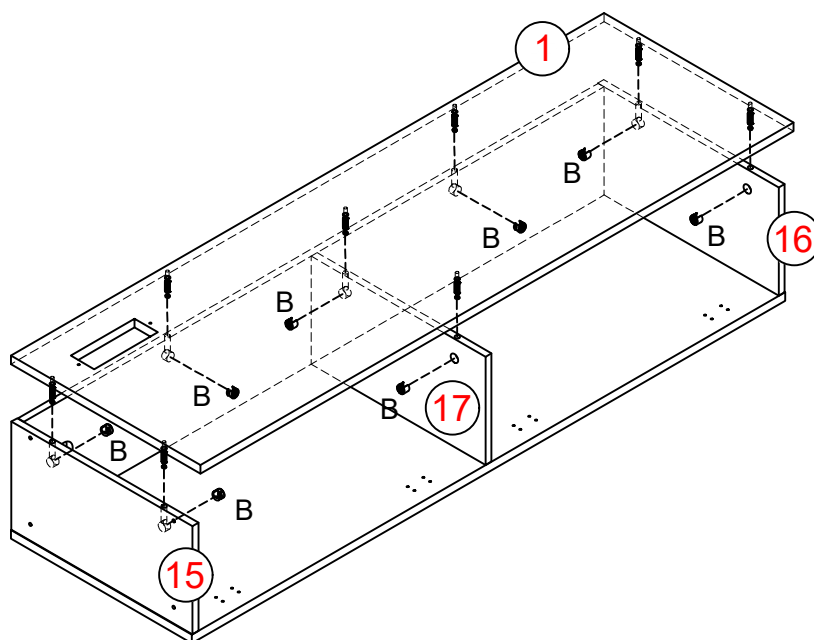


Ⓒ M5X40



8 PCS

10



Ⓑ Ø15X10



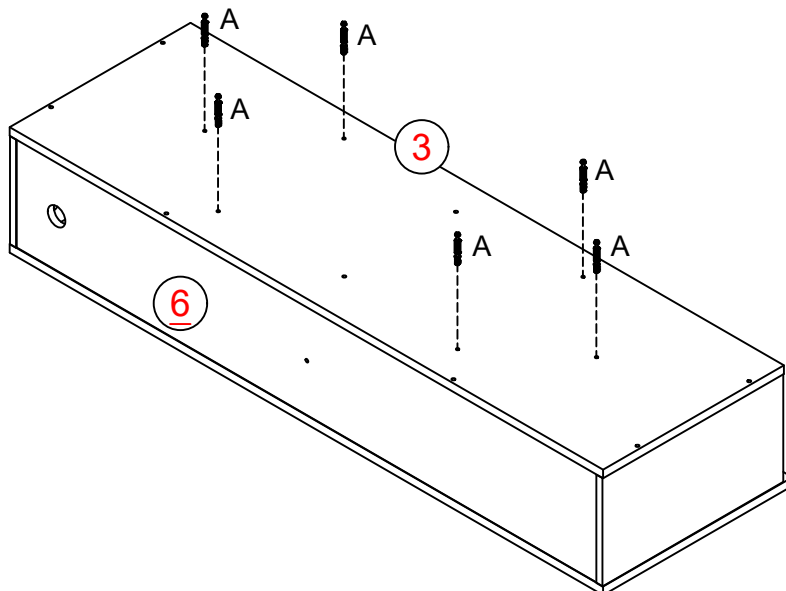
8 PCS

11

Ⓐ M5X42



6 PCS

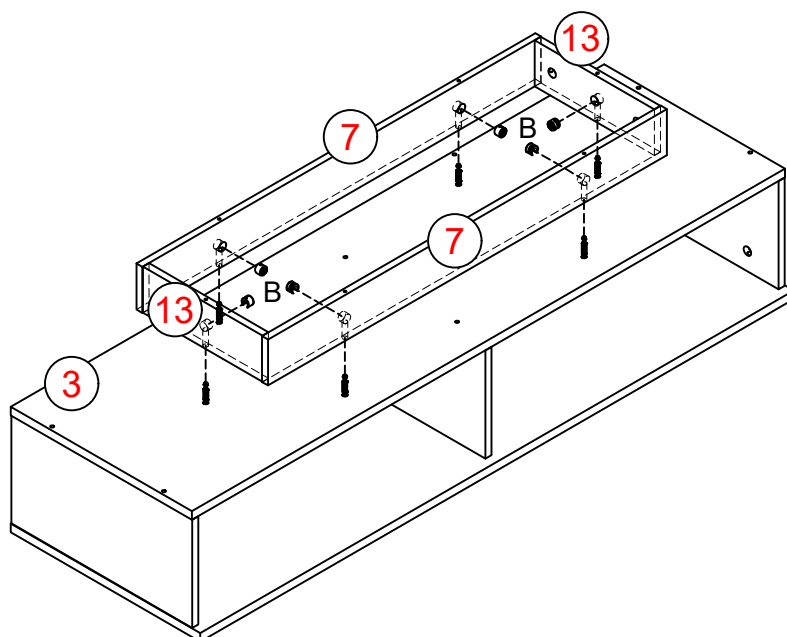


12



Ⓑ Ø15X10

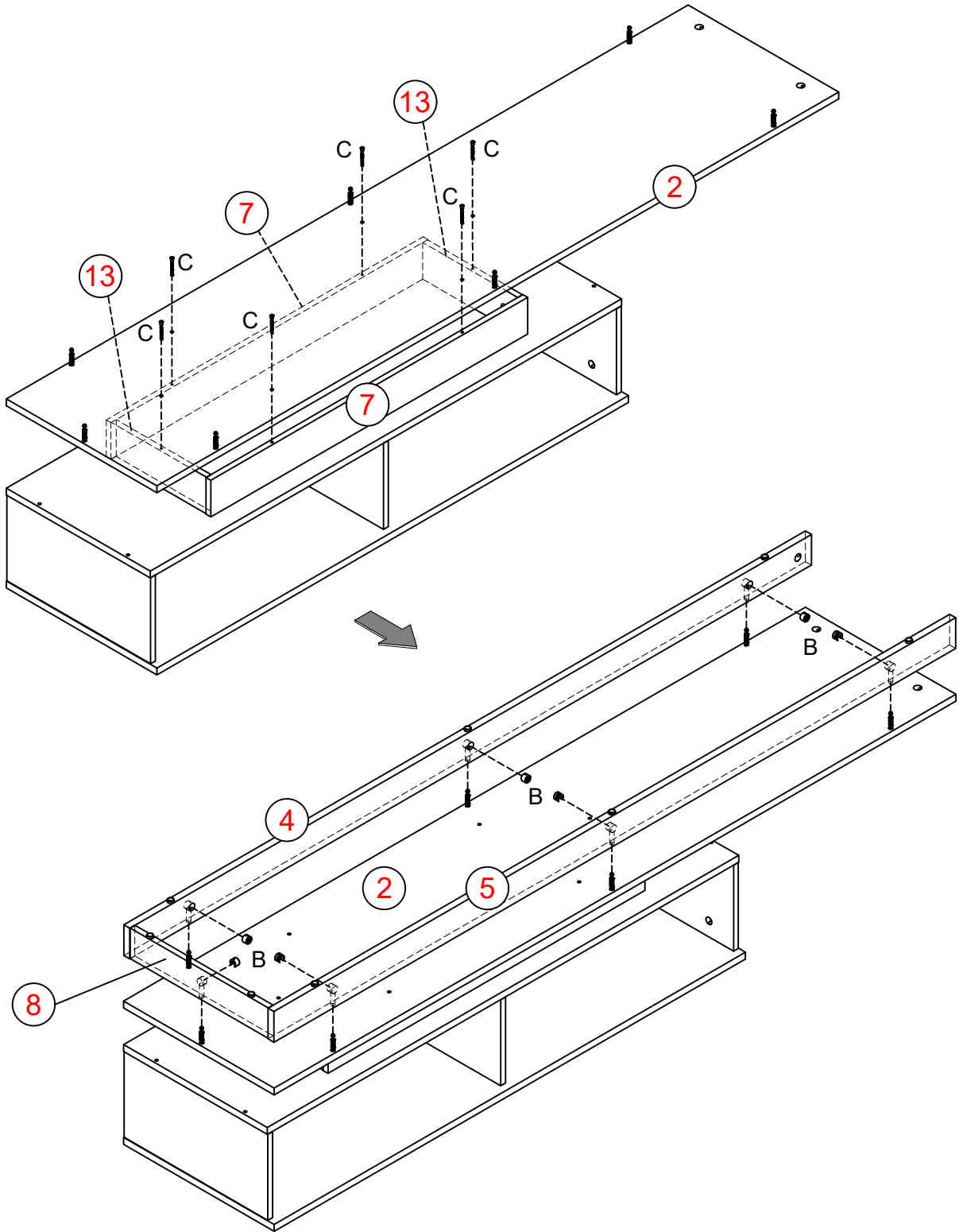


6 PCS

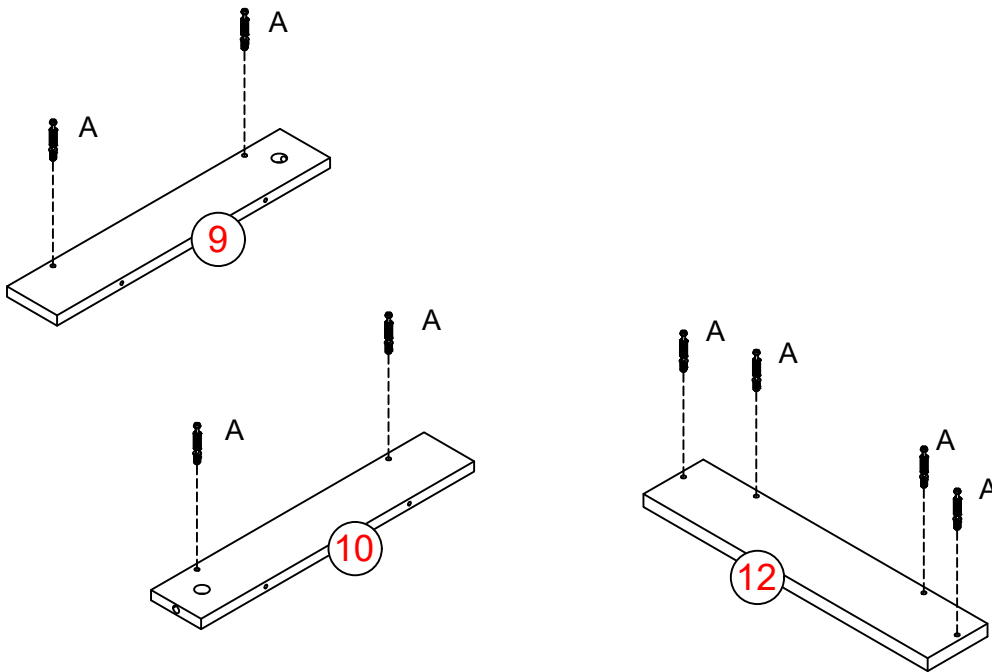


13

(B) Ø15X10	(C) M5X40
	
7 PCS	6 PCS



14

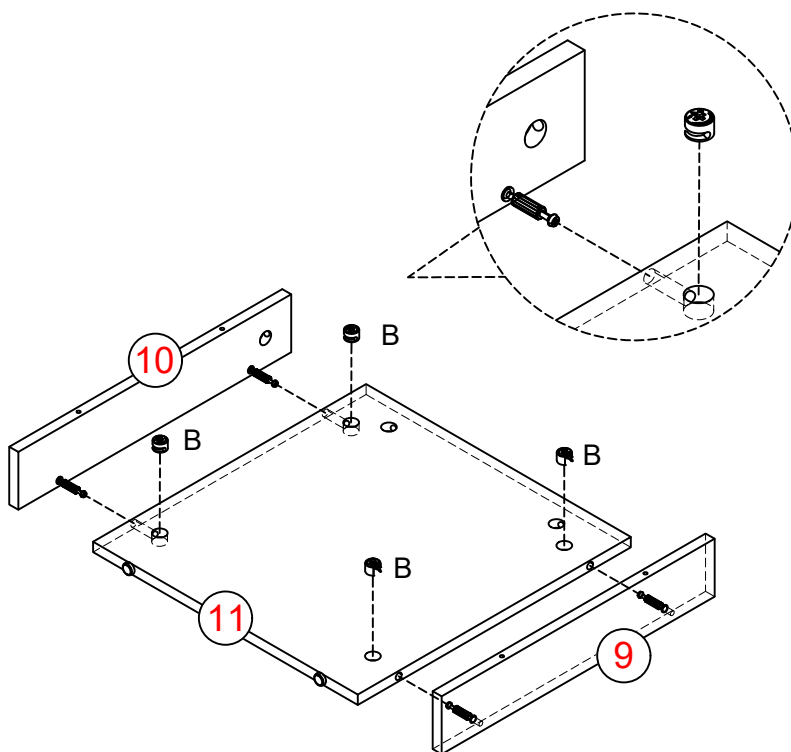


Ⓐ M5X42



8 PCS

15

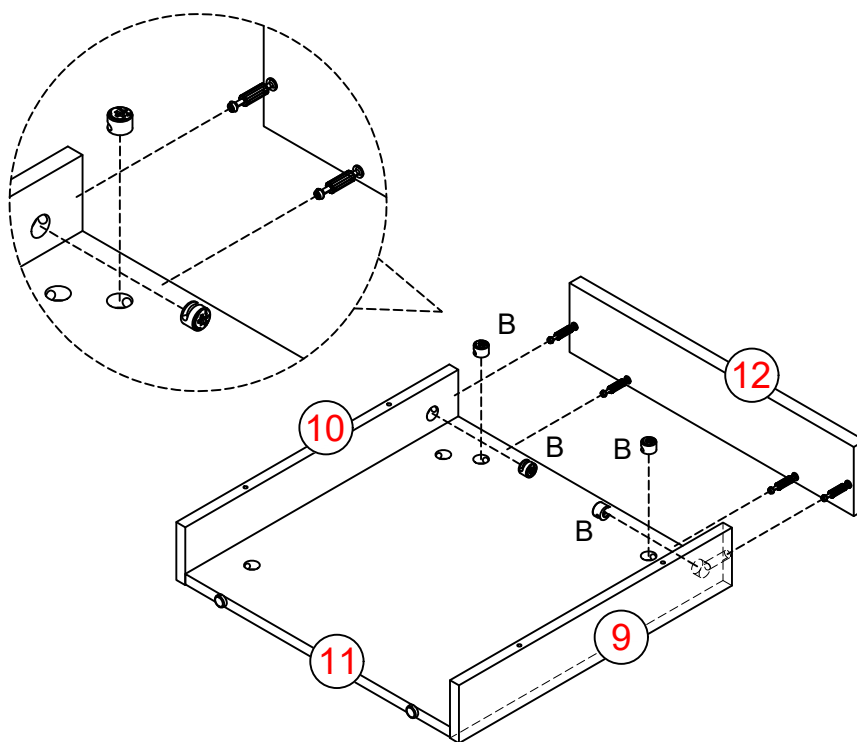


Ⓑ Ø15X10



4 PCS

16

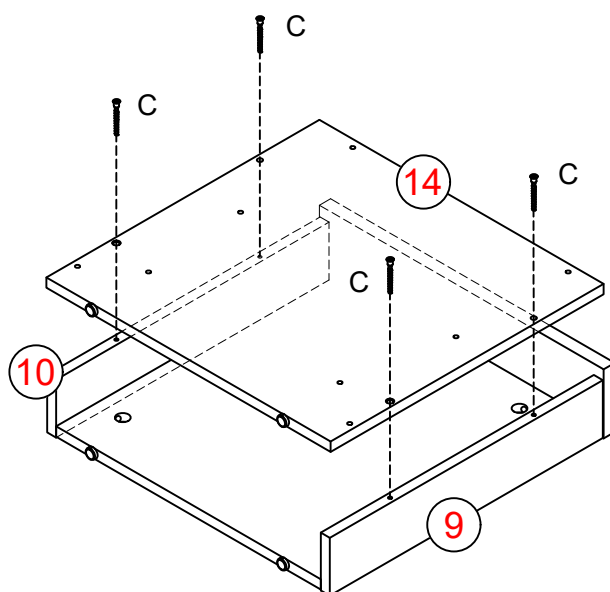


Ⓑ Ø15X10



4 PCS

17





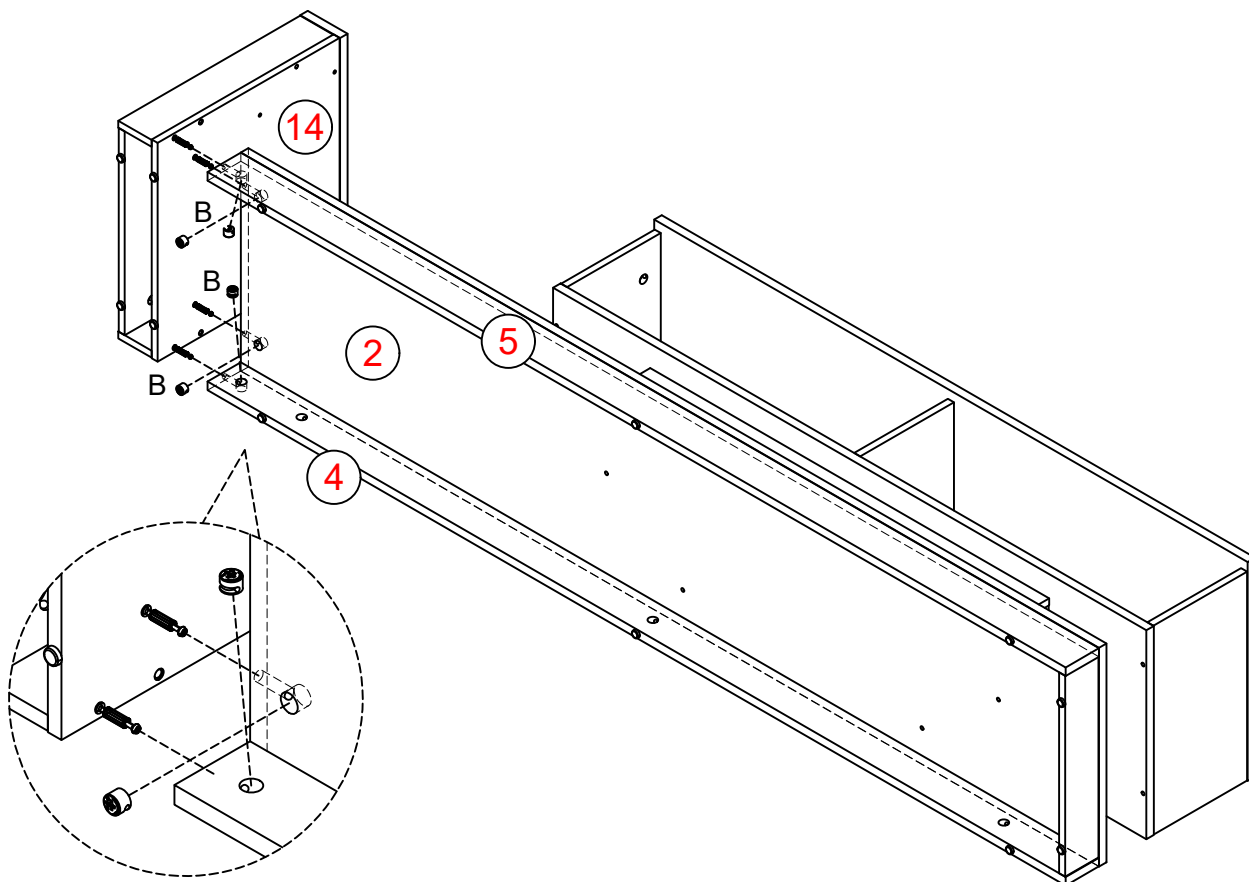
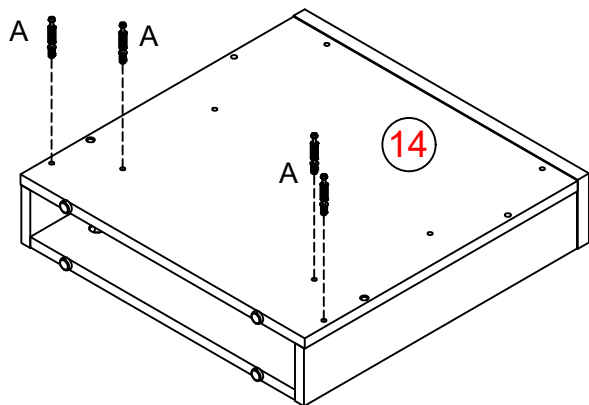
Ⓒ M5X40



4 PCS

18

(A) M5X42	(B) Ø15X10
	
4 PCS	4 PCS



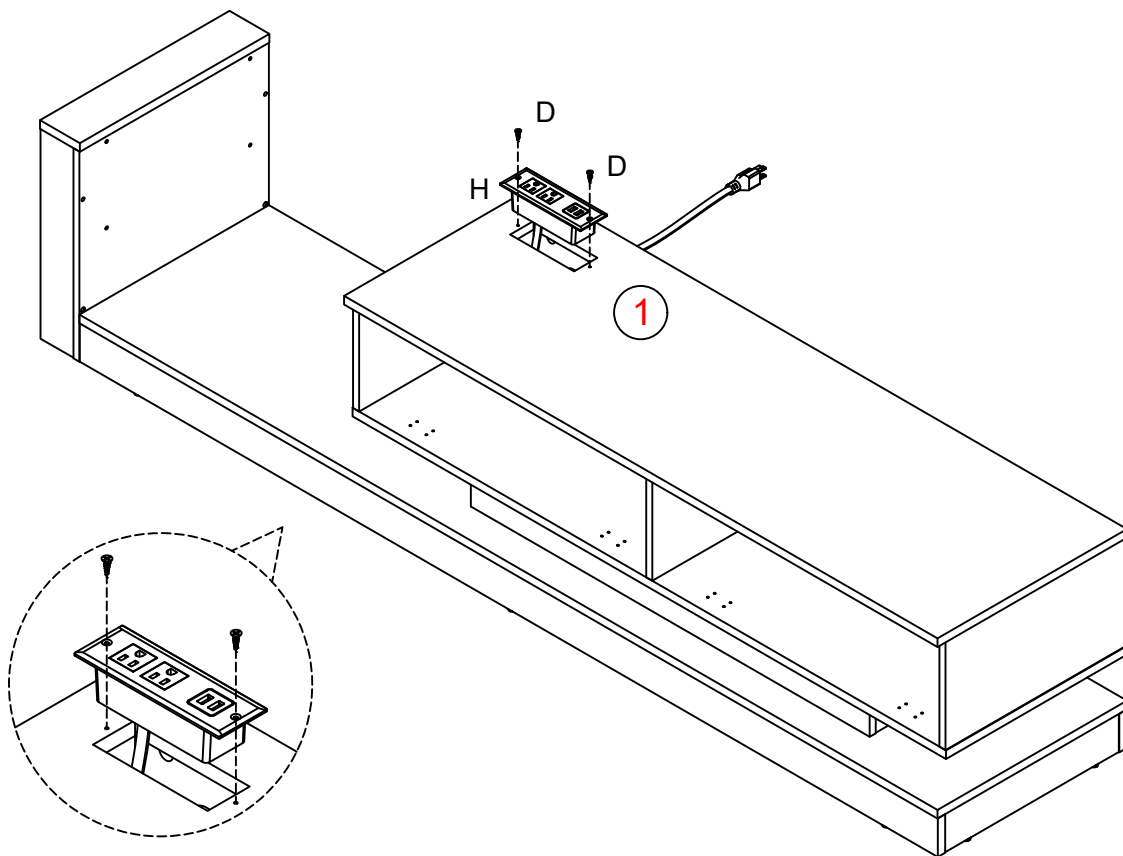
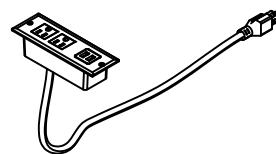
19

Ⓧ M3.5X14


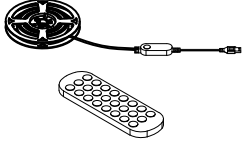
Ⓜ

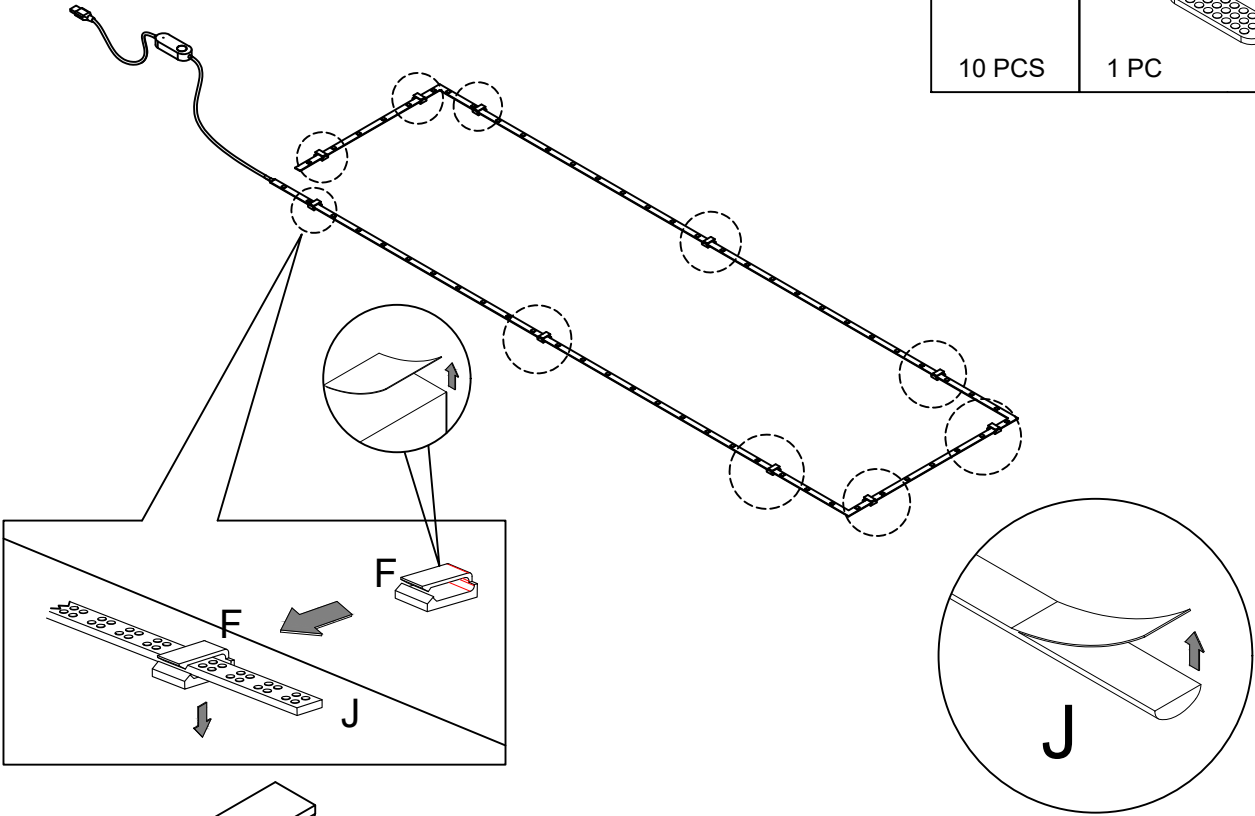


2 PCS

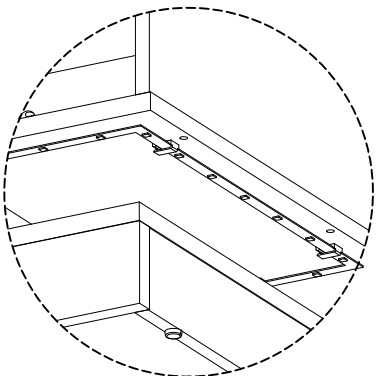
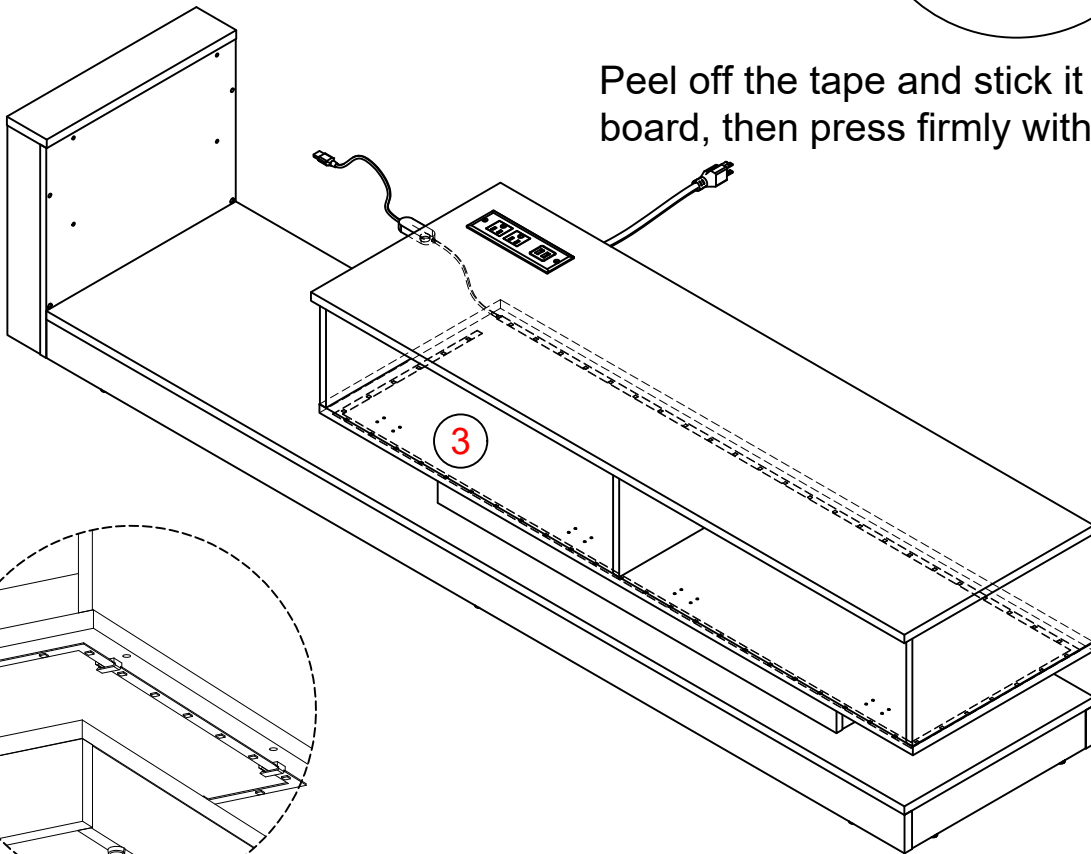


20



F	J
 10 PCS	 1 PC

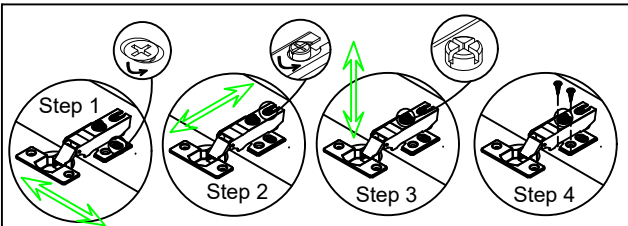
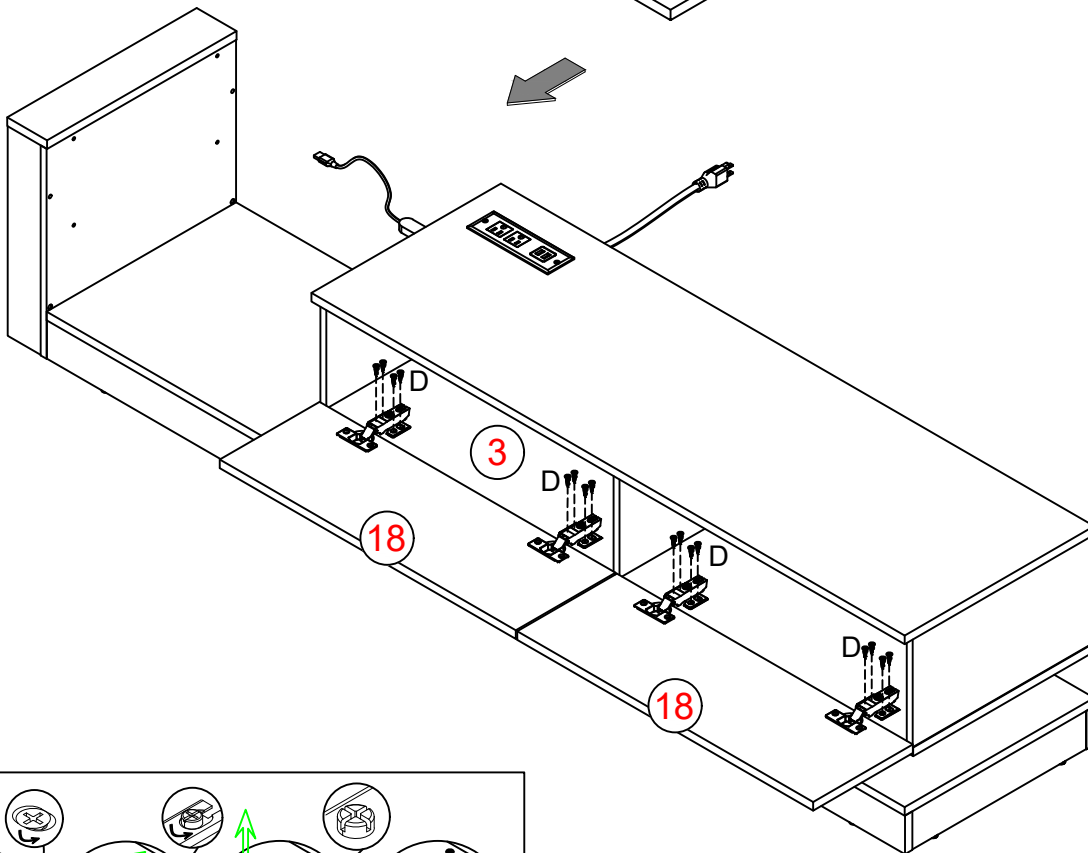
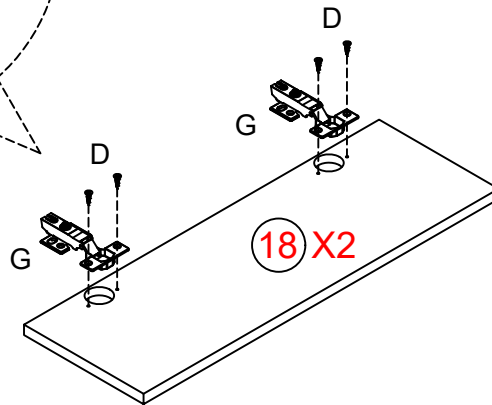
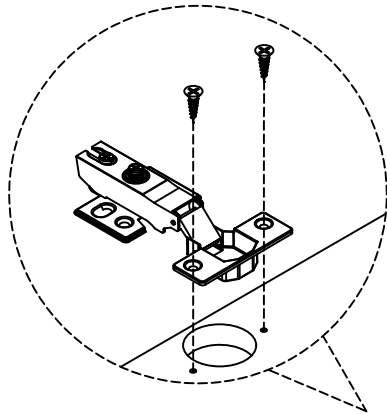


Peel off the tape and stick it onto the board, then press firmly with your hand



21

ⓓ M3.5X14	ⓐ 15MM
	
24 PCS	4 PCS



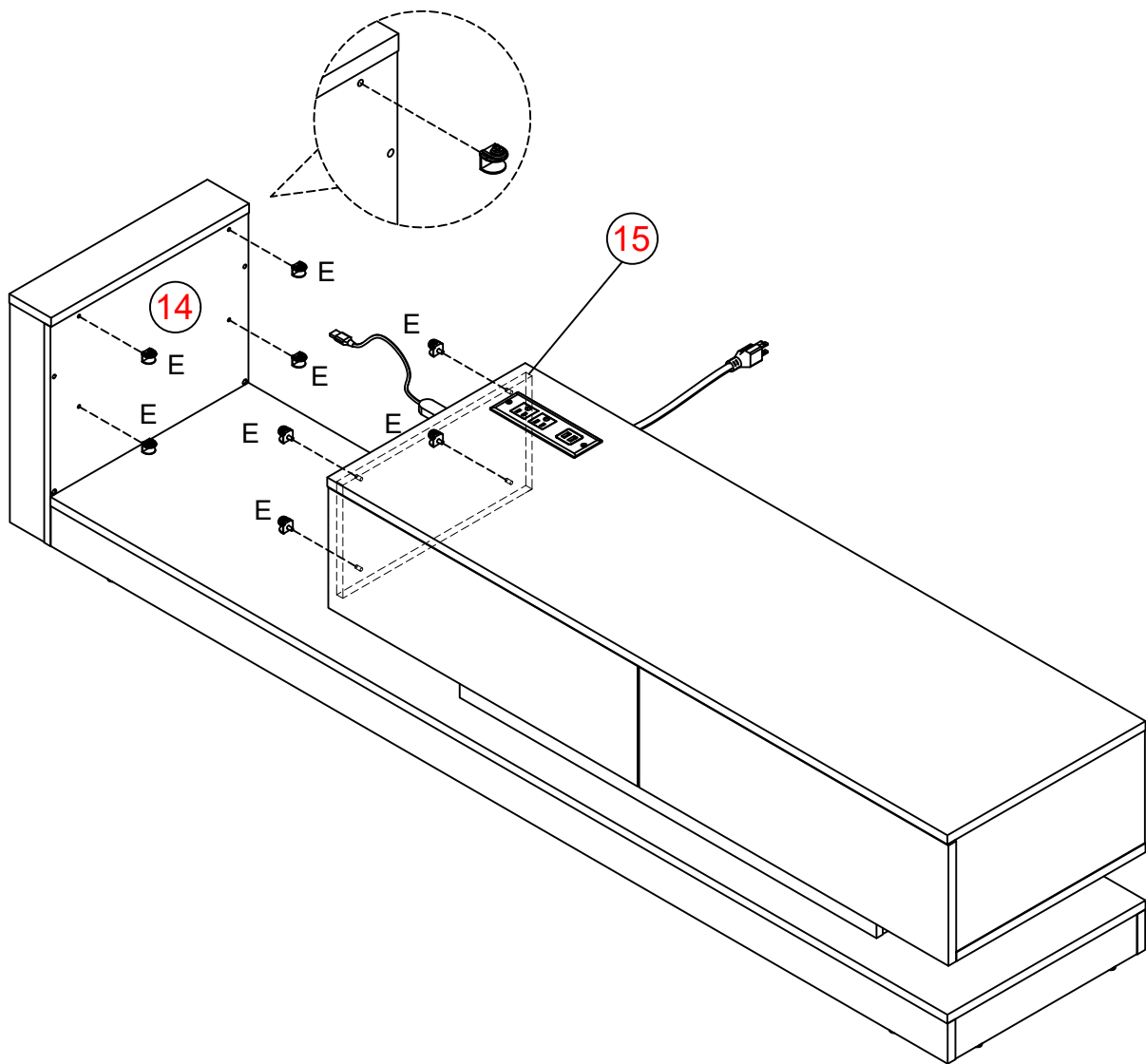
It may be necessary to adjust the hinges so that the doors align. Use the instructions below as a guide

22

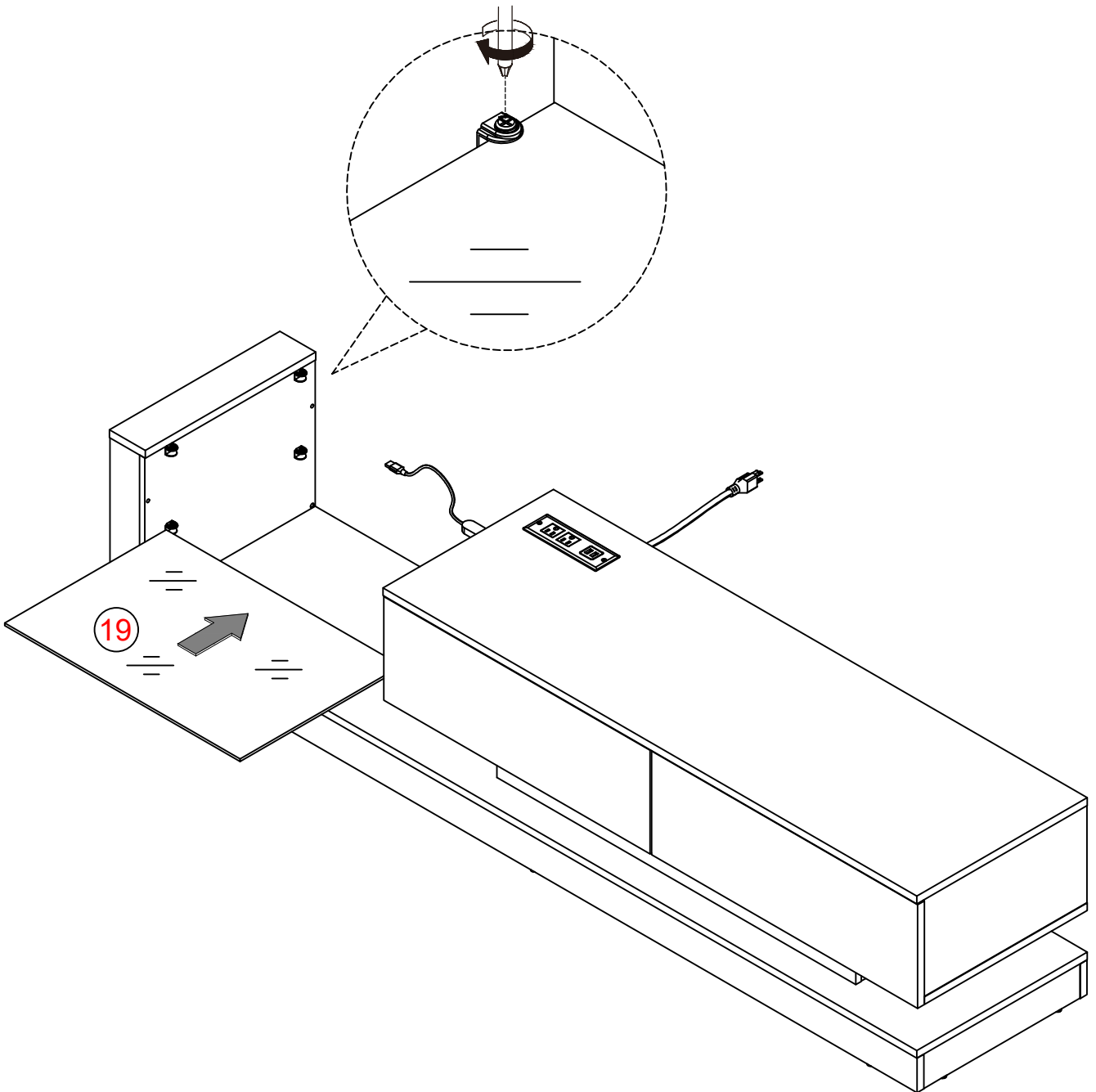
Ⓔ



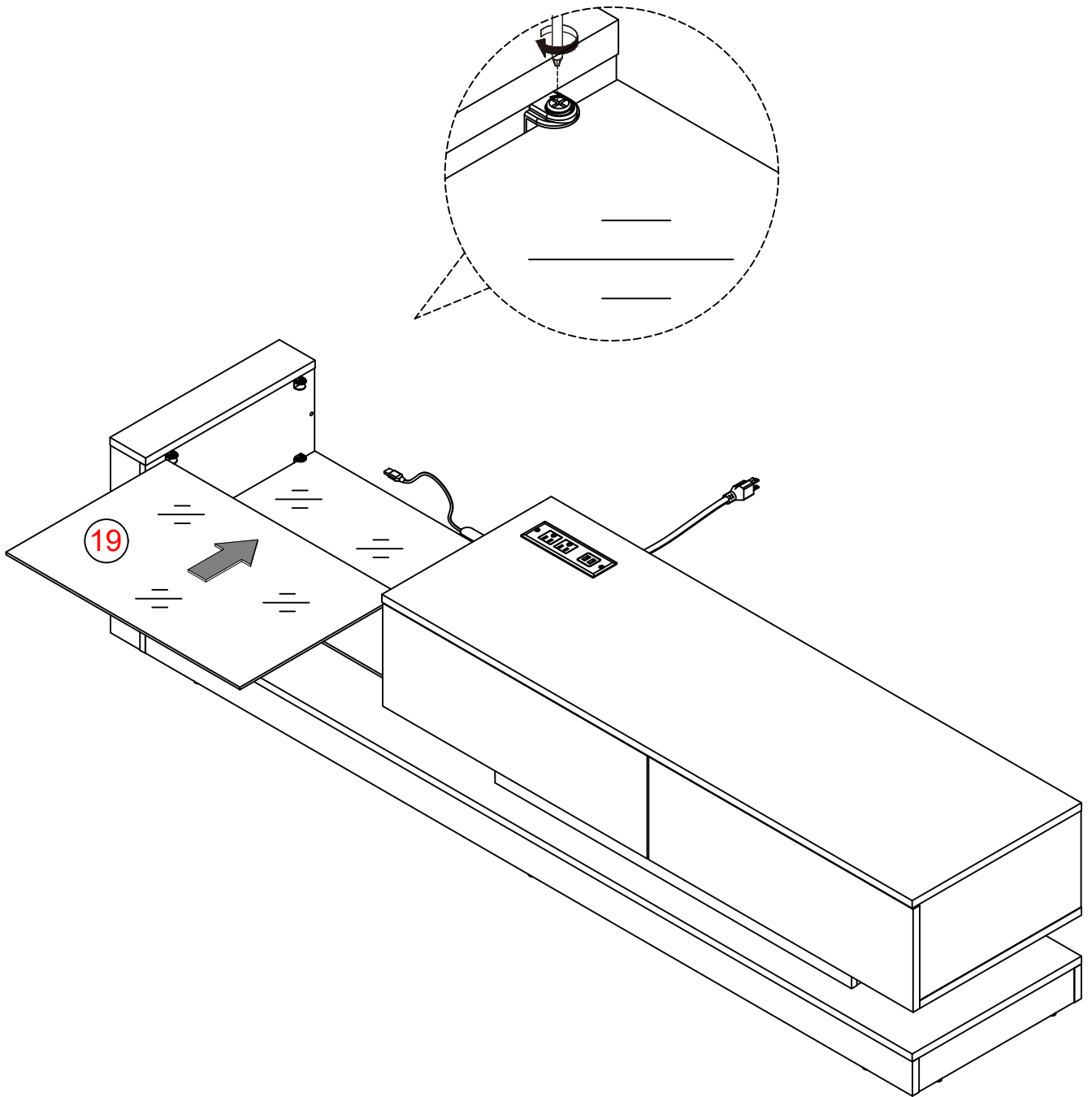
8 PCS



23



24





25

