

ASSEMBLY INSTRUCTION

Thank you for purchasing the quality product. Be sure to check all packing material carefully for small parts which may have come loose inside the carton during shipment. Separate, identify and count all parts and metal hardware. Compare with all parts are present. If any part(s) are missing or damaged, please contact your local furniture dealer. For efficient and speedy service, please indicate the model number and code letter of part(s) needed.

*****Do not fully tighten screws until fully assembled.*****

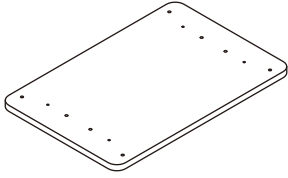
NIGHT STAND



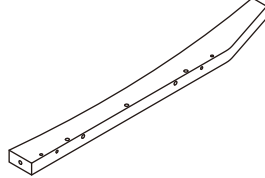
DIMENSIONS

Width - 23.62"
Depth - 15.75"
Height - 25.12"

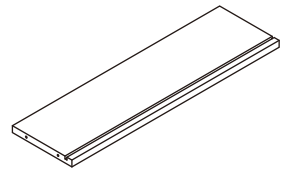
A X1 Top



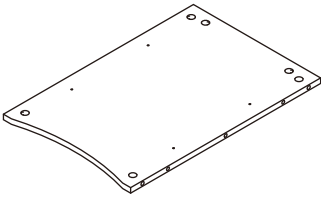
G X1 Right hind leg



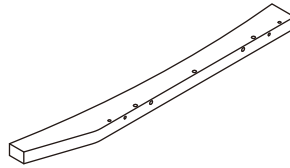
N X2 Drawer back



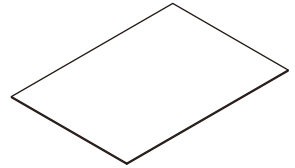
B X2 Side



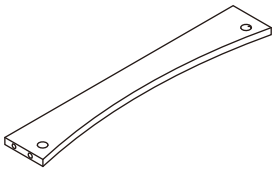
H X1 Left hind leg



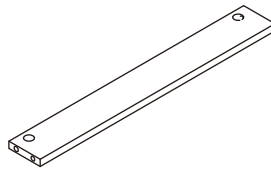
P X2 Drawer bottom



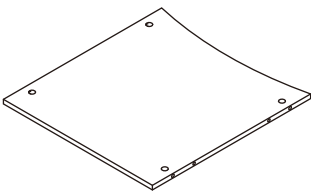
C X1 Bottom support



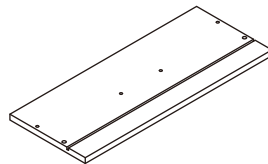
J X2 Top support



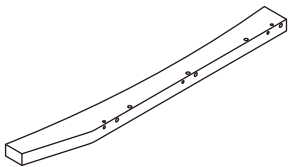
D X1 Back



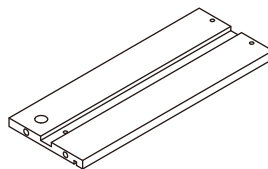
K X2 Drawer head



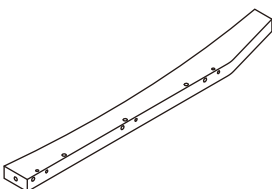
E X1 Right front leg



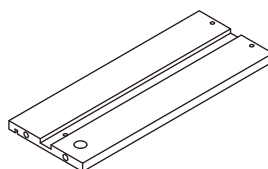
L X2 Drawer right



F X1 Left front leg

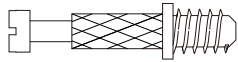


M X2 Drawer left



HARDWARE LIST

① X26 Cam bolt 7*20.5*9mm



② X26 Cam lock 15*9.9mm



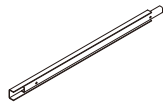
③ X34 Dowel 7*25mm



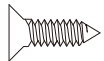
④ X8 Wood screw 8#*1-1/4"



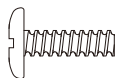
⑤ X4 Slide rail 17*310mm



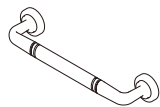
⑥ X8 Wood screw #6*1/2"



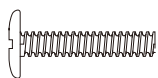
⑦ X4 Fixing screw M4*12mm



⑧ X2 Handle



⑨ X4 Handle screw 5/32"*16mm



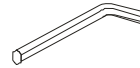
⑩ X4 Foot nail



⑪ X1 Glue



⑫ X1 Allen wrench

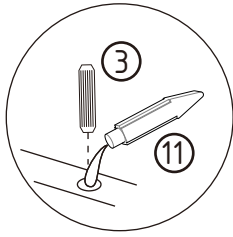


Attention

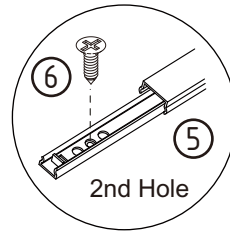
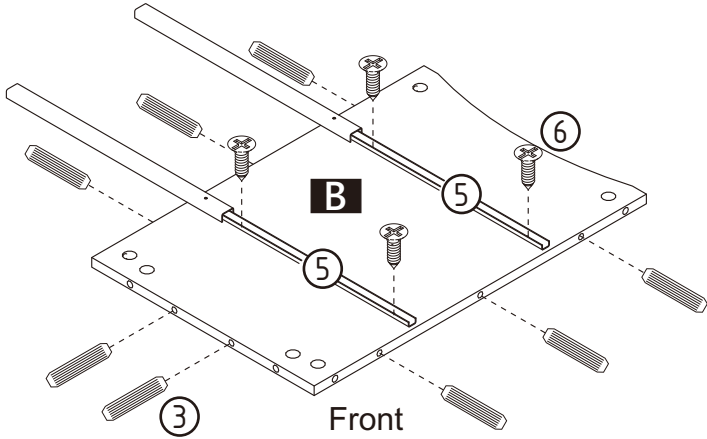
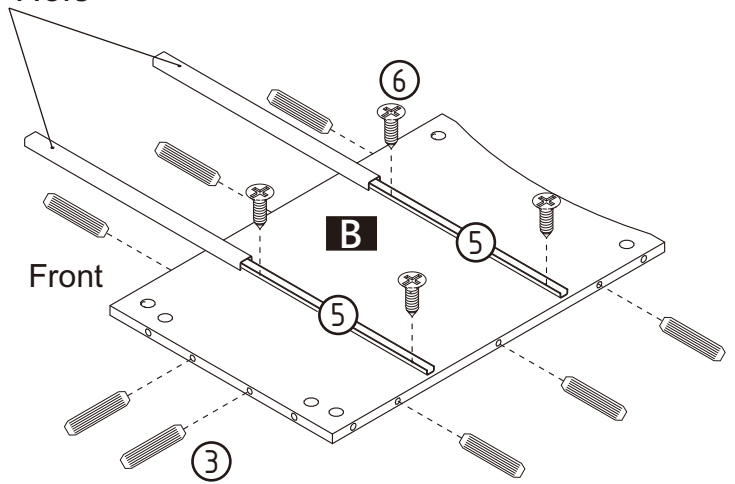
Some number parts listed on the instruction sheet may not be in parts bag as they may already be assembled. Carefully check parts and packing materials prior to ordering replacements.

ASSEMBLY INSTRUCTIONS

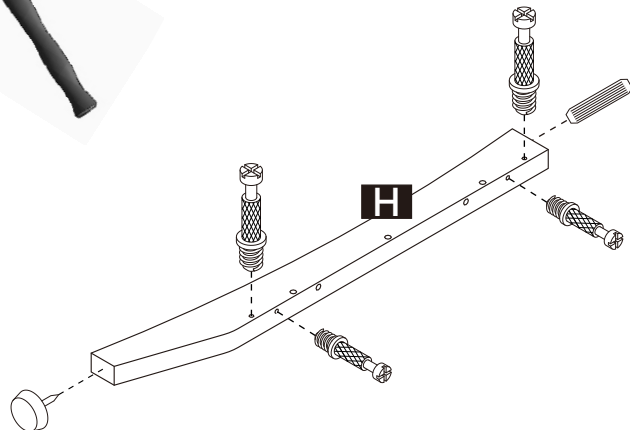
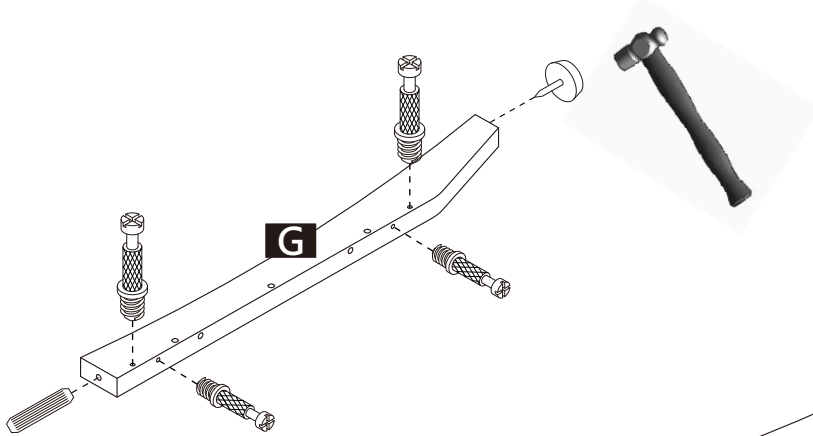
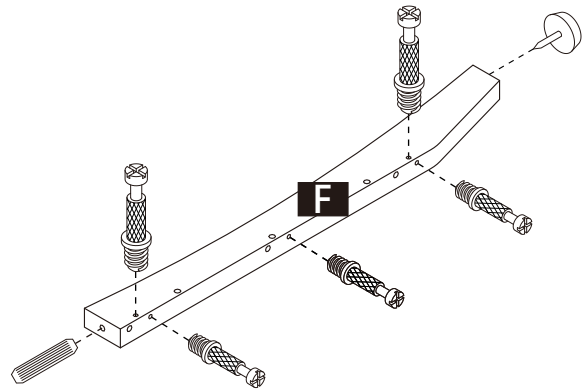
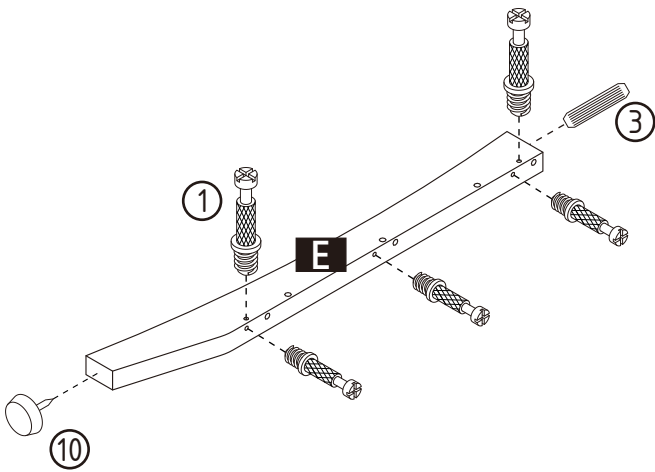
Step 1.



Screw Hole

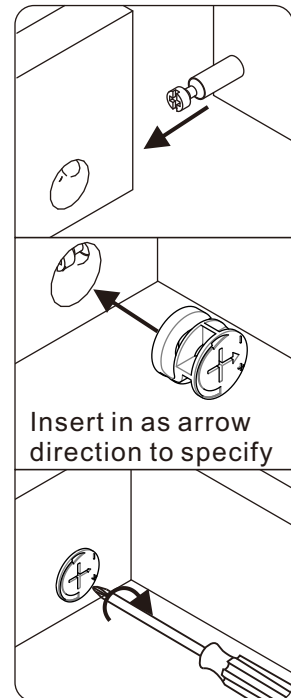
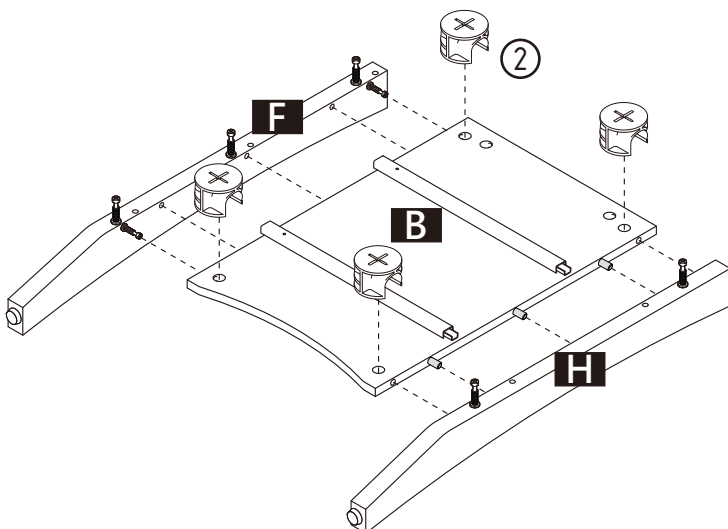
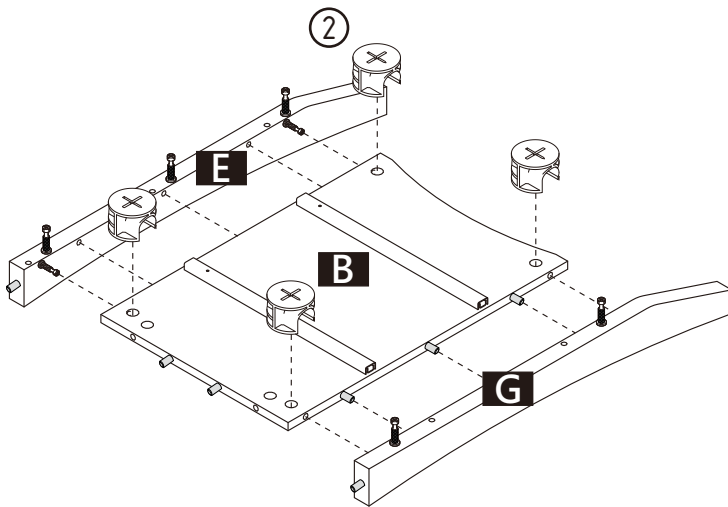
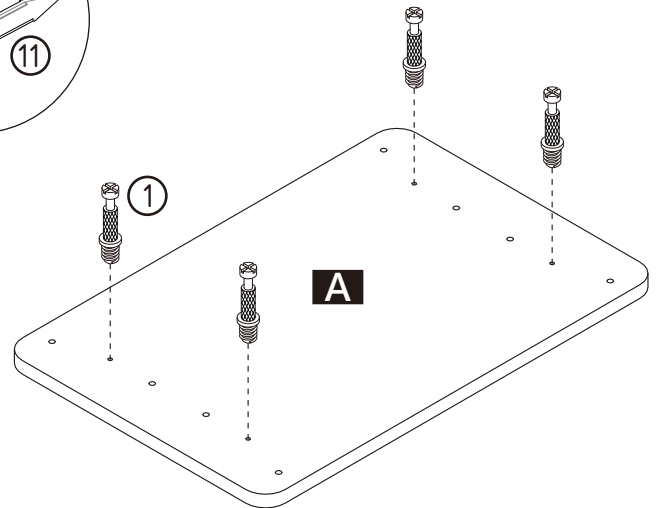
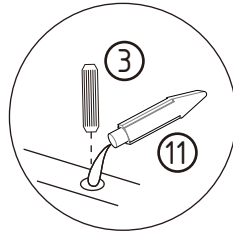
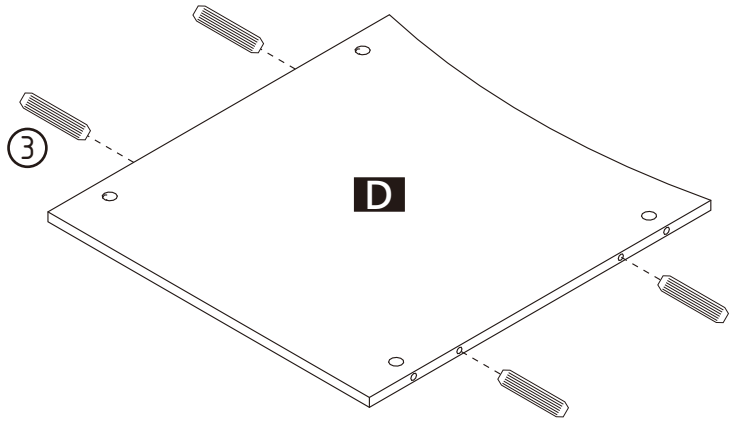
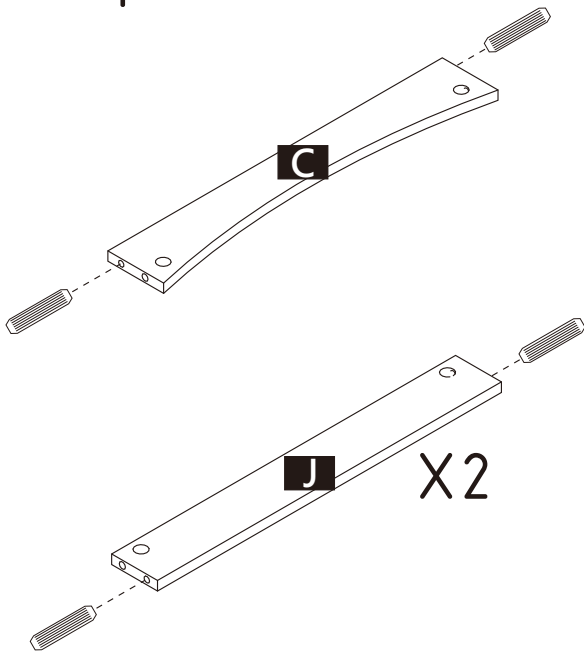


Push runner to see screw holes on the other end



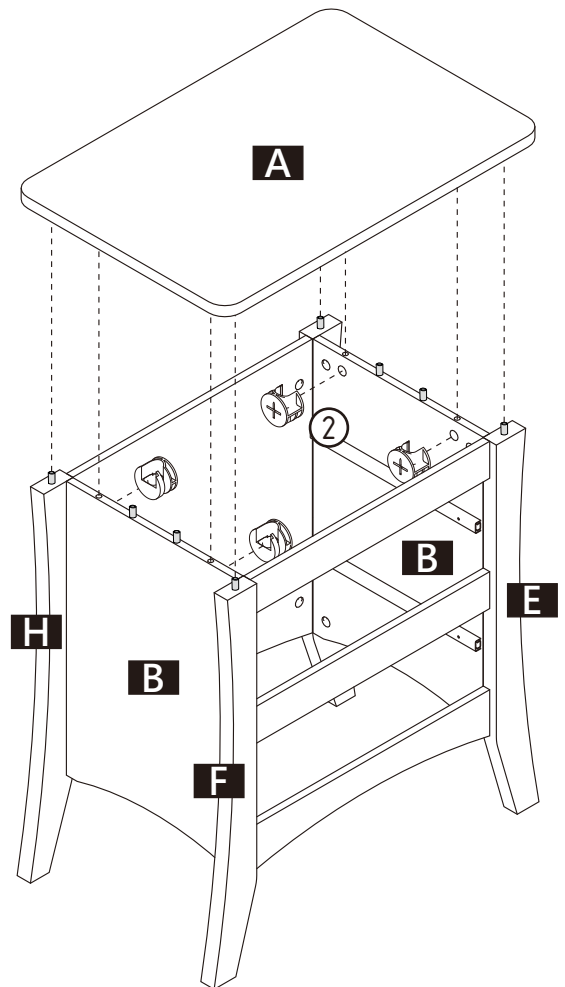
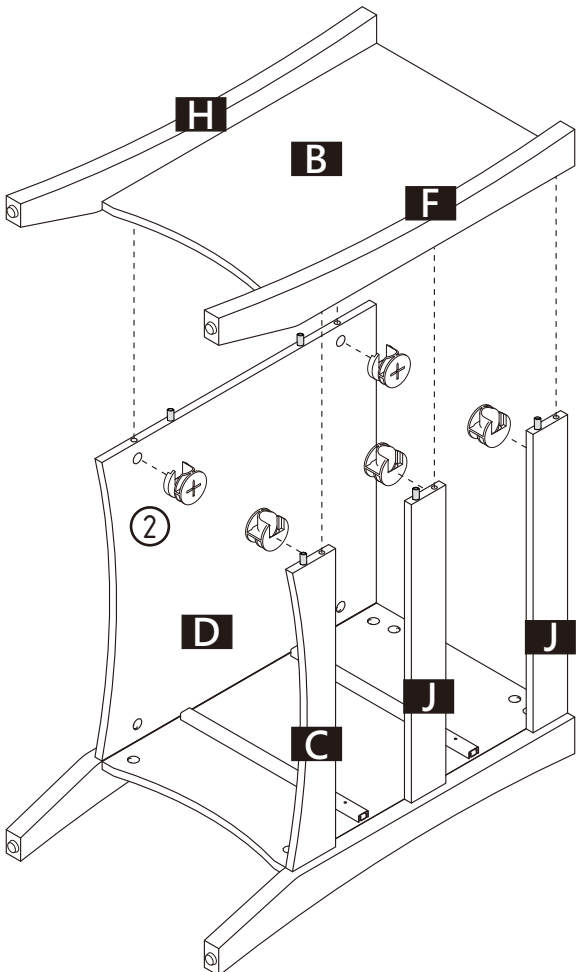
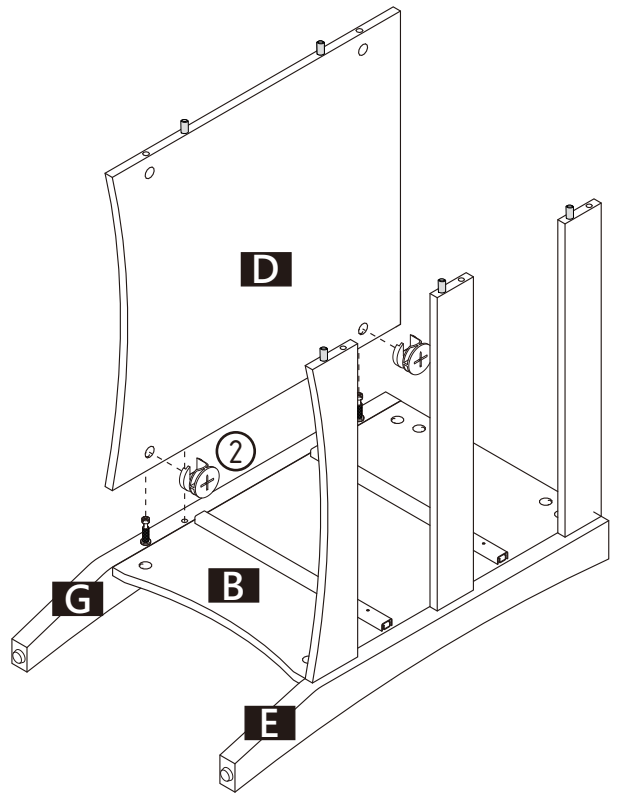
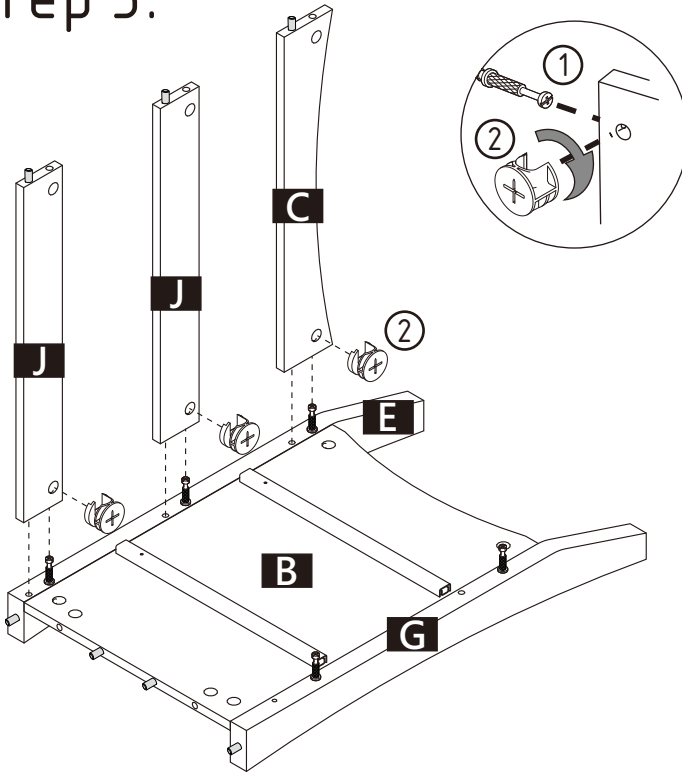
ASSEMBLY INSTRUCTIONS

Step 2.



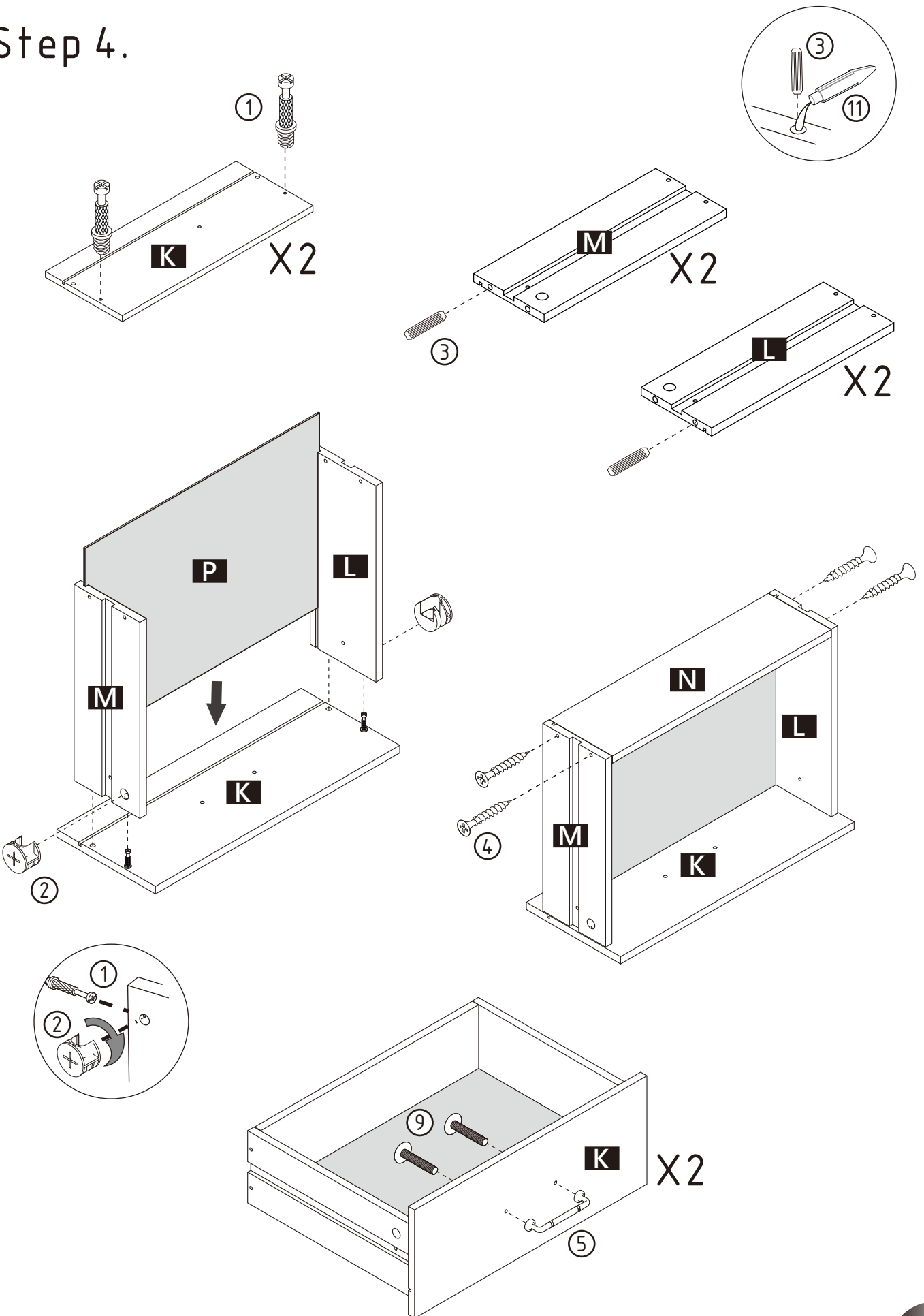
ASSEMBLY INSTRUCTIONS

Step 3.



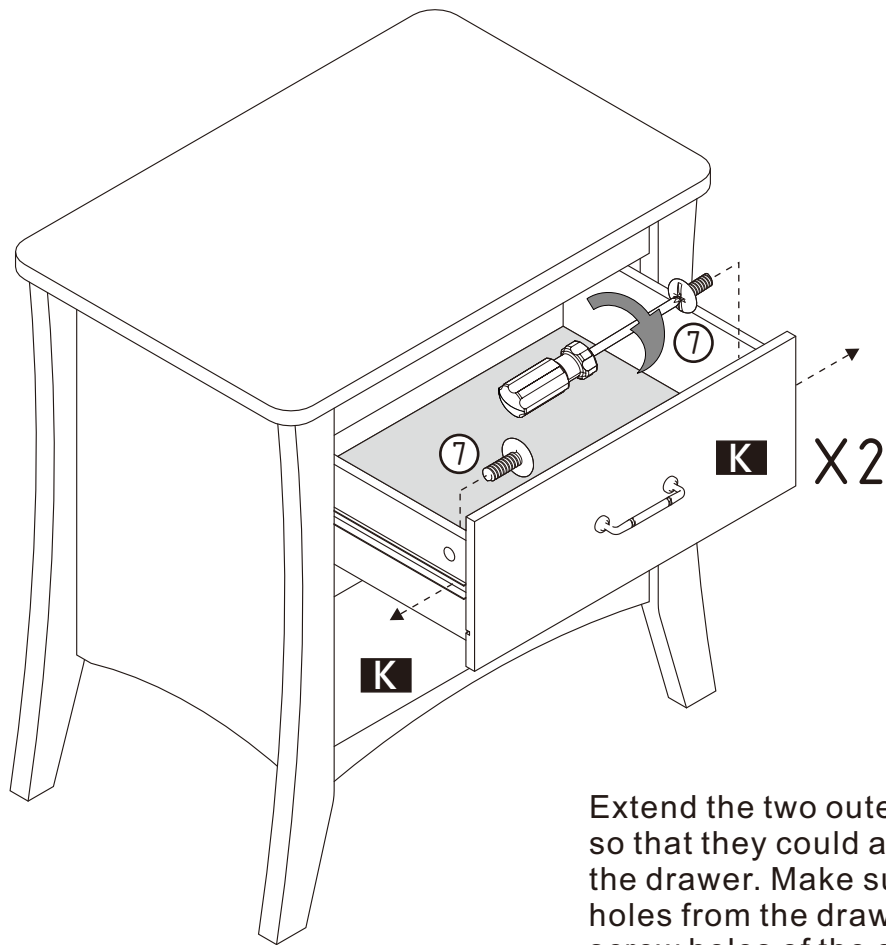
ASSEMBLY INSTRUCTIONS

Step 4.



ASSEMBLY INSTRUCTIONS

Step 5.



Extend the two outer slides of the runners so that they could align with the sides of the drawer. Make sure the pre-drilled holes from the drawer align with the screw holes of the outer slides. Secure two screws from the inside of the drawer using a Phillips screwdriver to tighten them to the outer slides.

ASSEMBLY IS COMPLETED.

Make sure the product is rested on a flat surface and does not feel loose or wobbly. If it does, double check that the bolts/screws are secured and properly tightened.