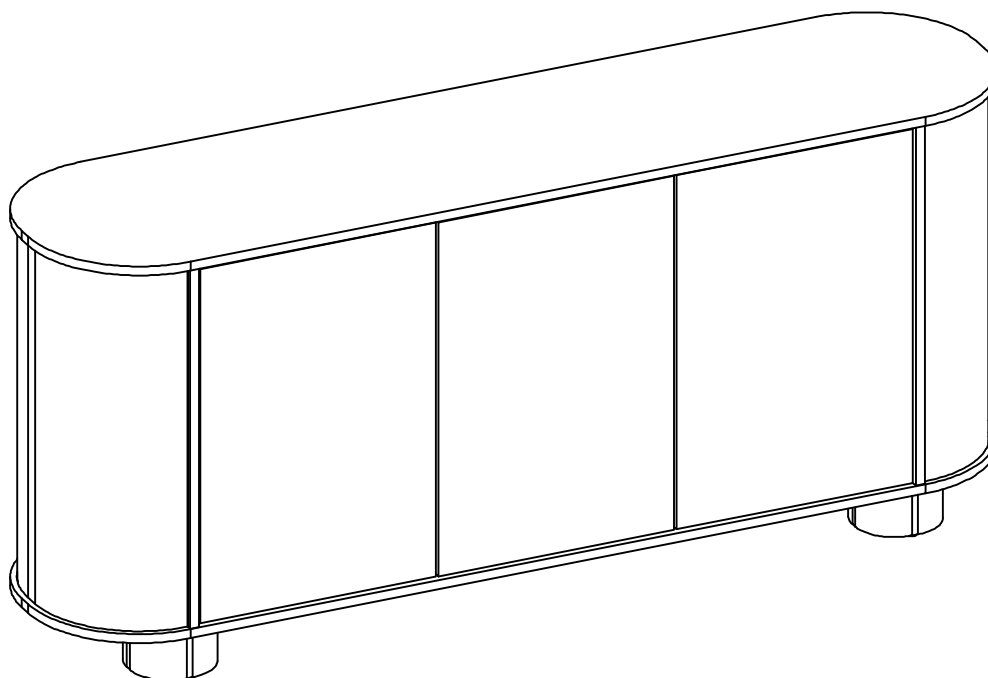


## ASSEMBLY INSTRUCTIONS

# EEI-7015

V0.08.05.24



**Questions? Contact us!**

609.256.9000 • [cs@modway.com](mailto:cs@modway.com)

[www.modway.com](http://www.modway.com)

**\*modway**

# Let's get started!

**\*modway**



Read through all of the instructions before starting



Care instructions are listed in the last step of this manual



Approx. 60 minutes assembly time



Make sure you have all parts and components before discarding any packing materials



2 people recommended for assembly

Only use hand tools to assemble this item. Do not use power tools. Do not tighten bolts or screws completely until all hardware is lined up and inserted into the holes.

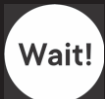
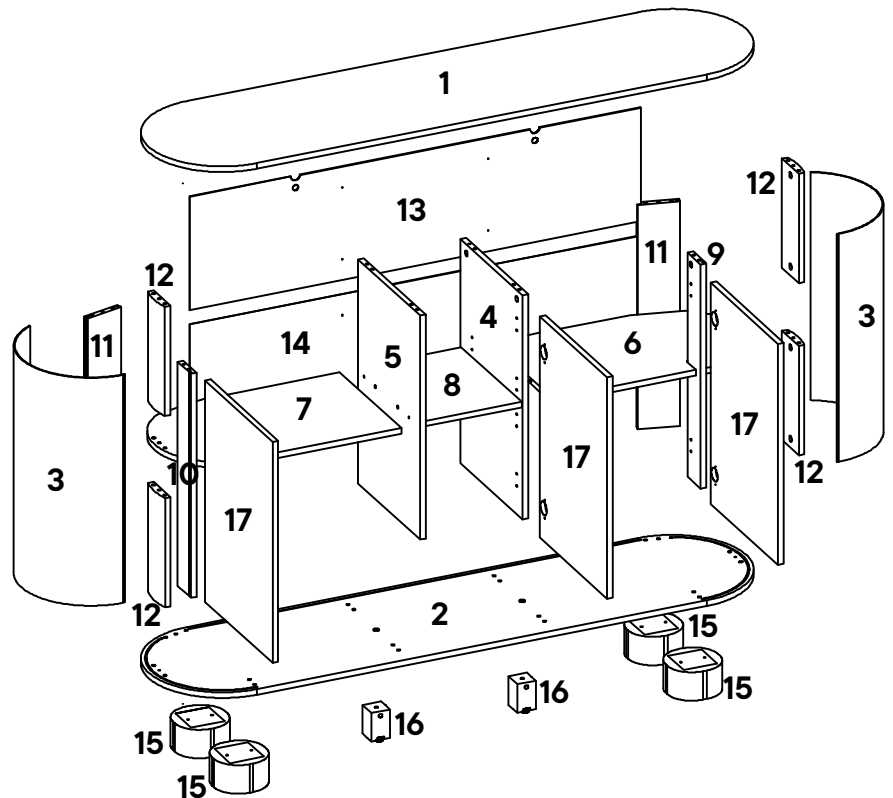
Do not over-tighten screws and bolts to avoid stripping the hardware or cracking the item.

Assemble your item on a flat, carpeted area, with plenty of space to work. This will prevent damage and scratches to your floors or the item while you're assembling the product.

Keep all components and packaging out of reach of children or animals to avoid risk of choking or suffocation.

## Furniture components:


















1	Top panel	x1
2	Bottom panel	x1
3	Side panel	x2
4	Right middle panel	x1
5	Left middle panel	x1
6	Right fix shelf panel	x1
7	Left fix shelf panel	x1
8	Adjustable shelf panel	x1
9	Right support panel	x1
10	Left support panel	x1
11	Back support panel	x2
12	Side support panel	x4
13	Top back panel	x1
14	Bottom back panel	x1
15	Leg	x4
16	Bottom support	x2
17	Door panel	x3


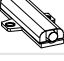

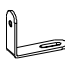


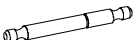



Missing parts or hardware? Need assistance?

Contact us before returning your item. We're here to help!  
609.256.9000 • [cs@modway.com](mailto:cs@modway.com)

## Provided hardware:

A.		Cam bolt Ø6 x 32 mm	x16
B.		Cam lock Ø15 mm	x20
C.		Sticker	x14
D.		Dowel Ø7.8 x 32 mm	x36
E.		Assembly Screw	x10
F.		Hinge	x4
G.		Hinge	x2
H.		Screw Ø7 x 14 mm	x12
I.		Screw Ø8 x 25 mm	x8
J.		Wood screw Ø6 x 12 mm	x6
K.		Screw Ø4 x 12 mm	x8
L.		Screw Ø6 x 19 mm	x14
M.		Wedge	x14
N.		Bolt M6 x 30 mm	x2
O.		Shelf Pin	x4
P.		Adjustable Leveller	x2
Q.		Floor Glide	x16

R.		Barrel Nut	x2
S.		Push to open	x3
T.		Rear Clamp	x1
U.		Wall Fixing	x2
V.		Screw Ø6 x 12 mm	x2
W.		Allen key	x1
X.		Minifix double end	x2
Y.		Dowel Ø7.8 x 57 mm	x4

## What you need:



**Wait!**

Missing parts or hardware? Need assistance?  
 Contact us before returning your item. We're here to help!  
 609.256.9000 • cs@modway.com

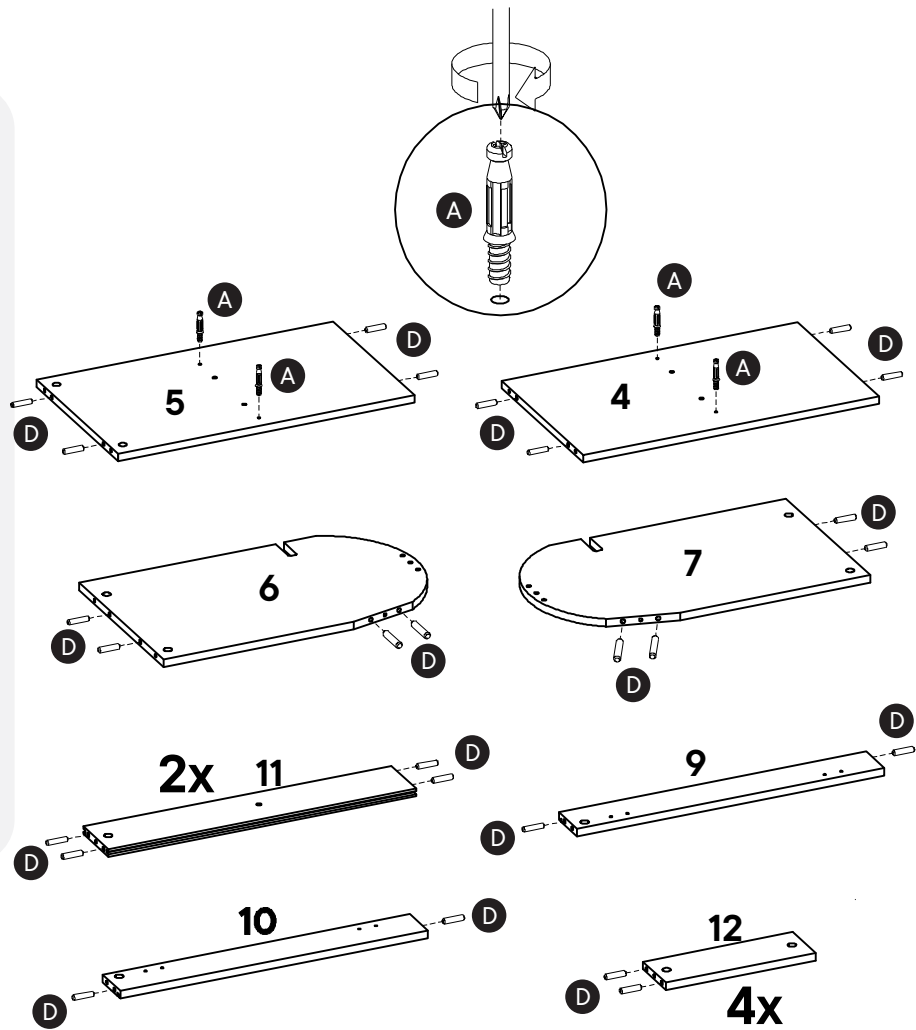
# Step 1

## COMPONENTS

4	Right middle panel	x1
5	Left middle panel	x1
6	Right fix shelf panel	x1
7	Left fix shelf panel	x1
9	Right support panel	x1
10	Left support panel	x1
11	Right back panel	x2
12	Side support panel	x2

## HARDWARE

A	Cambolt $\varnothing 6 \times 32$ mm	x4
D	Dowel $\varnothing 7.8 \times 32$ mm	x36



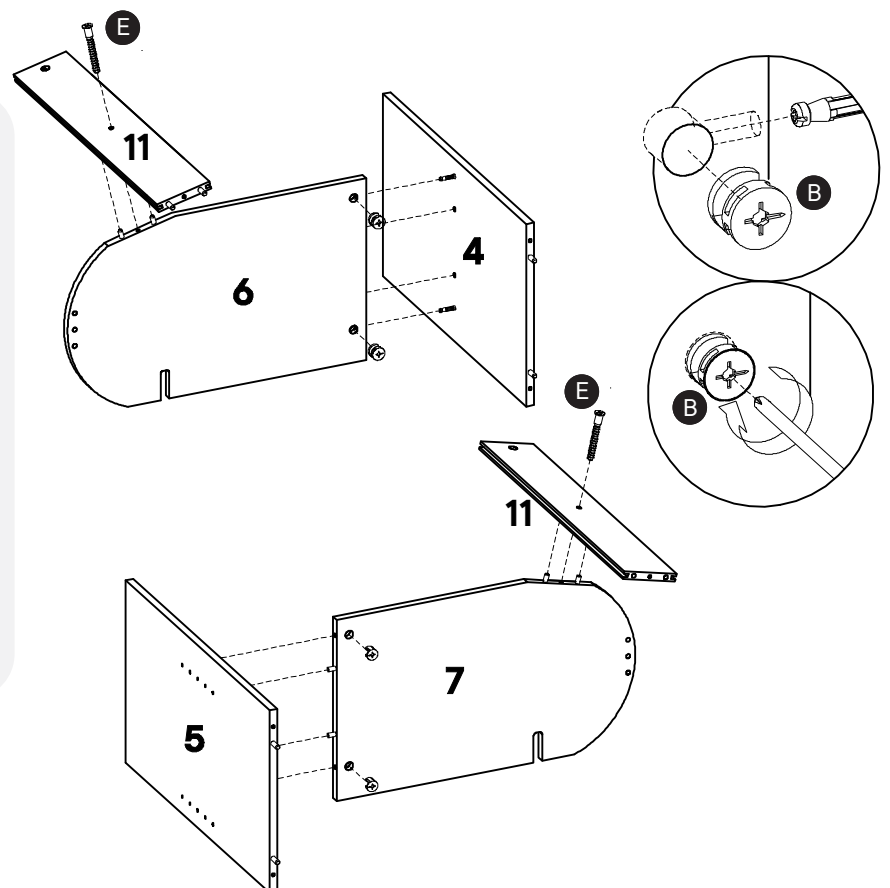
# Step 2

## COMPONENTS

4	Right middle panel	x1
5	Left middle panel	x1
6	Right fix shelf panel	x1
7	Left fix shelf panel	x1
11	Right back panel	x2

## HARDWARE

B	Camlock $\varnothing 15$ mm	x4
E	Assembly screw	x2



# Step 3

## COMPONENTS

1 Top Panel x1

## HARDWARE

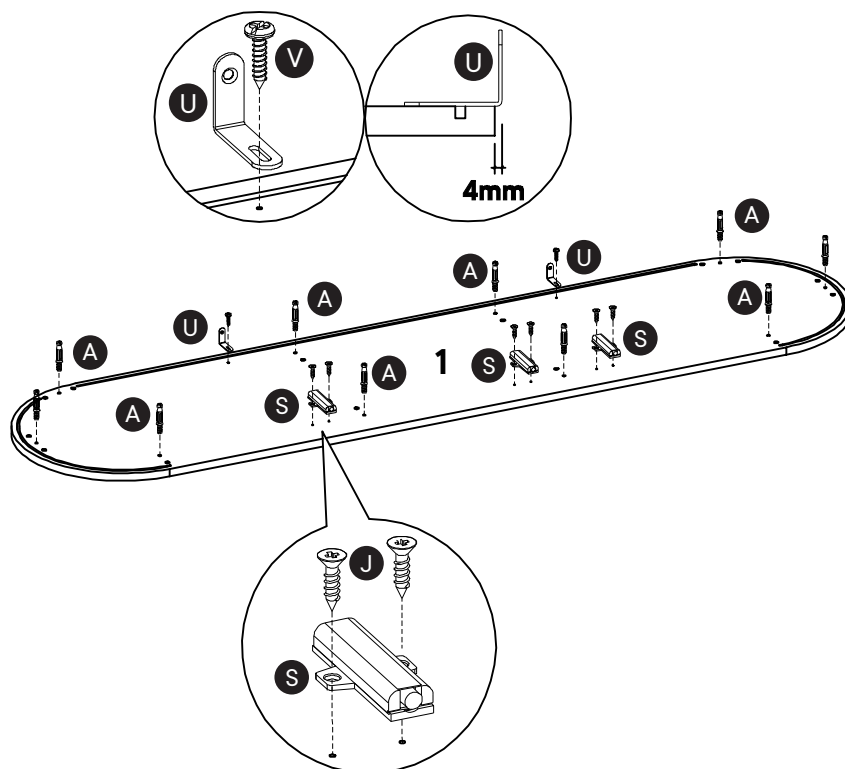
A Cambolt Ø6 x 32 mm x10

J Screw Ø6 x 12 mm x6

S Push to open x3

U Wall Fixing x2

V Screw Ø6 x 12 mm x2



# Step 4

## COMPONENTS

1 Top panel x1

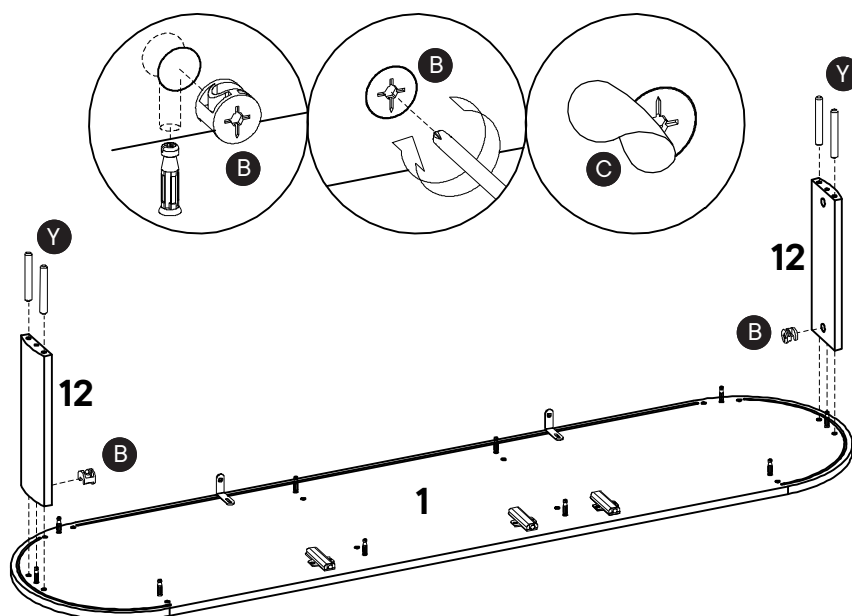
12 Side support panel x2

## HARDWARE

B Camlock Ø15 mm x2

C Sticker x2

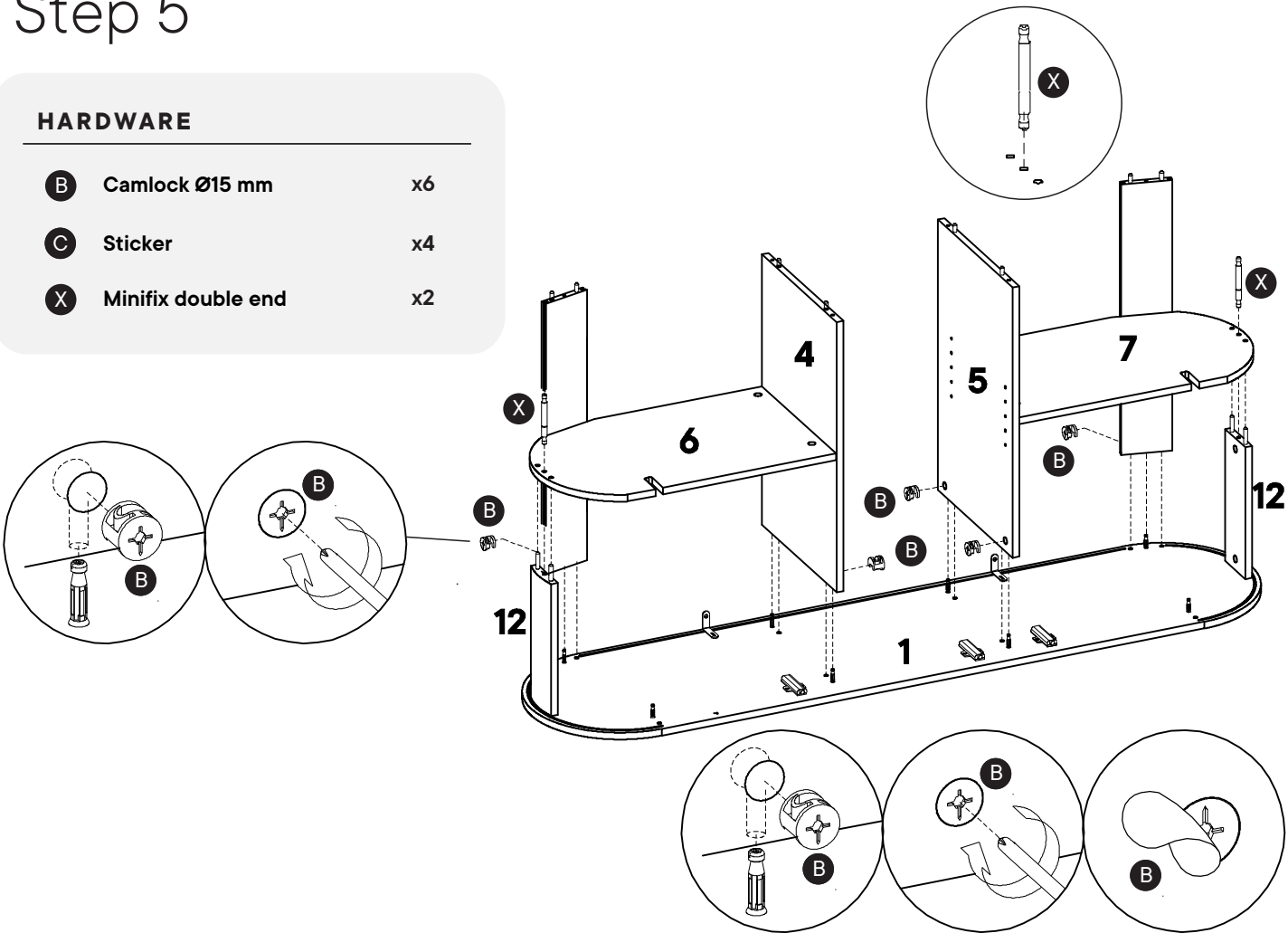
Y Dowel Ø7.8 x 57 mm x4



# Step 5

### HARDWARE

- B** Camlock Ø15 mm x6
- C** Sticker x4
- X** Minifix double end x2



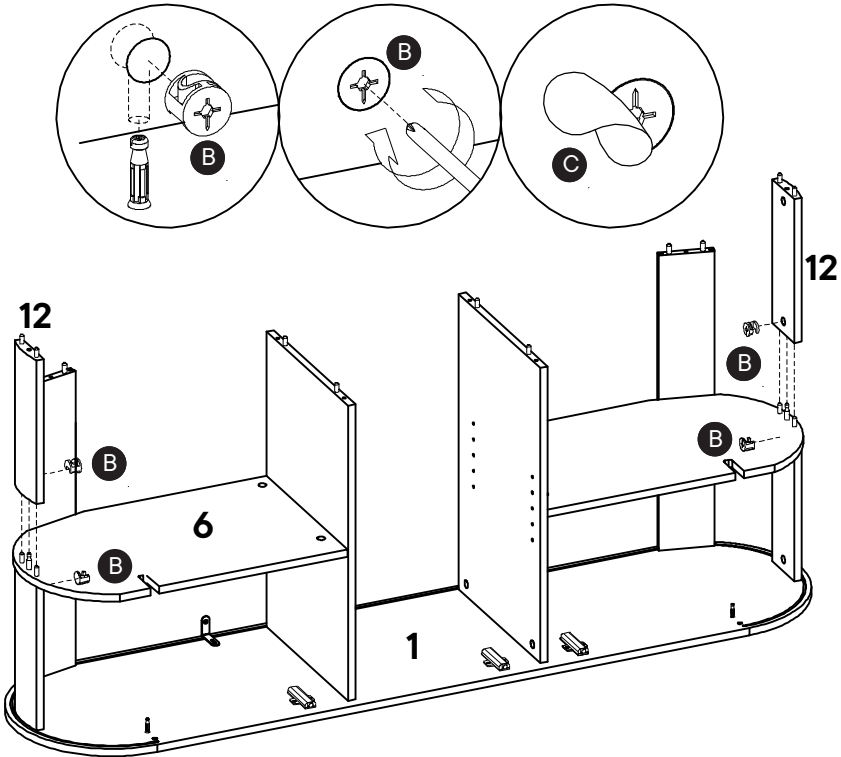
# Step 6

### COMPONENTS

- 12** Side support panel x2

### HARDWARE

- B** Camlock Ø15 mm x4
- C** Sticker x4



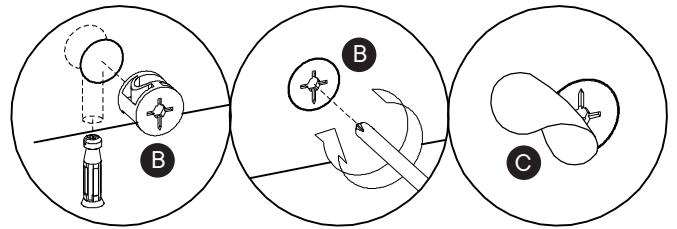
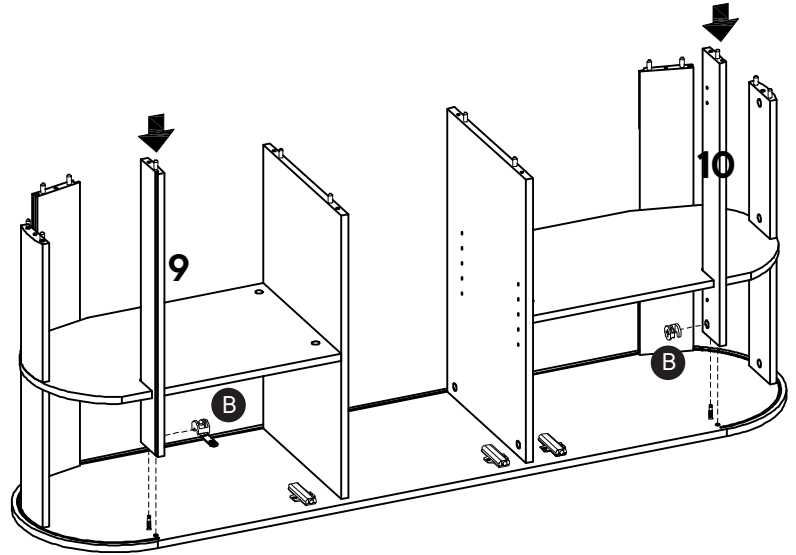
# Step 7

## COMPONENTS

- 9 Right support panel x1
- 10 Left support panel x1

## HARDWARE

- B Camlock Ø15 mm x2
- C Cover Cap x2



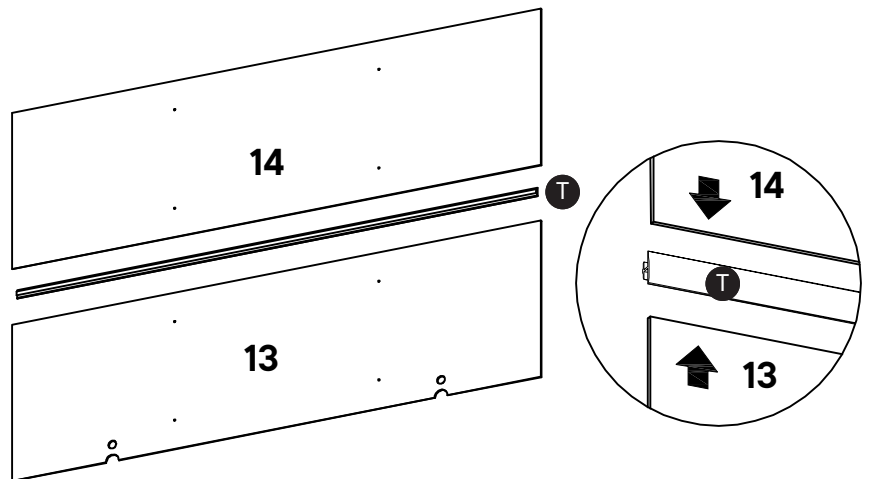
# Step 8

## COMPONENTS

- 13 Top back panel x1
- 14 Bottom back panel x1

## HARDWARE

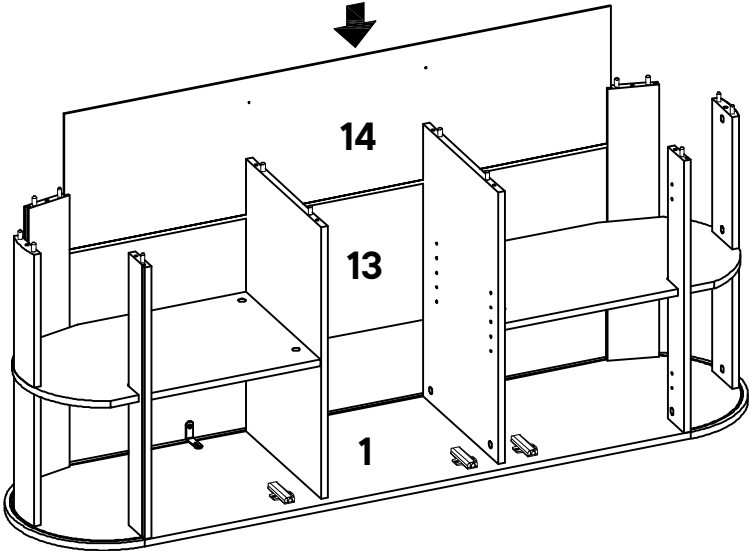
- T Rear clamp x1



# Step 9

**COMPONENTS**

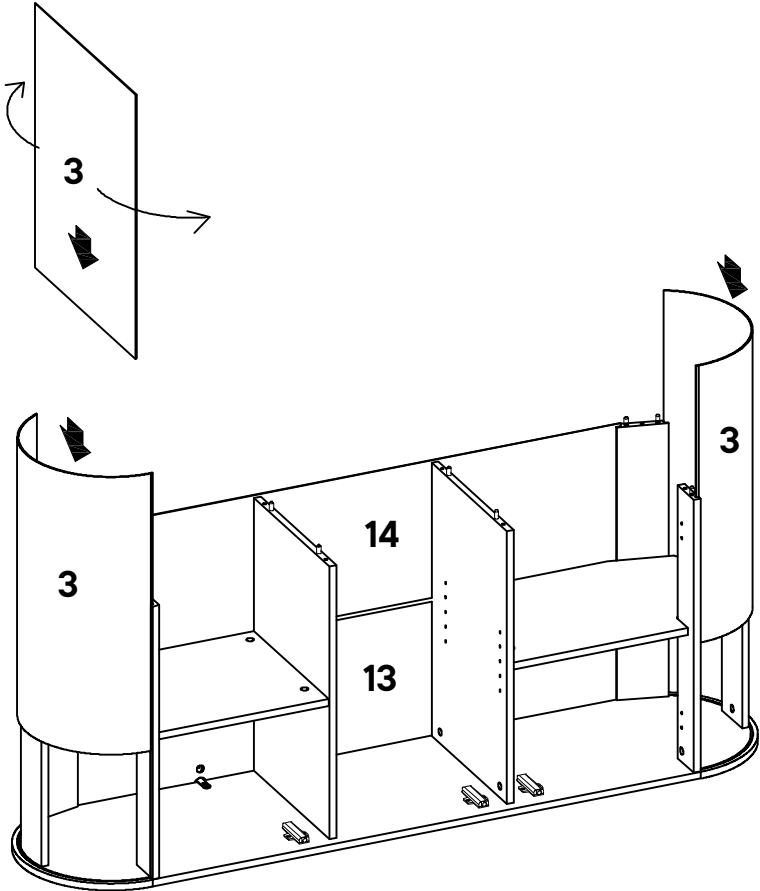
- 13 Top back panel x1
- 14 Bottom back panel x1



# Step 10

**COMPONENTS**

- 3 Side panel x2



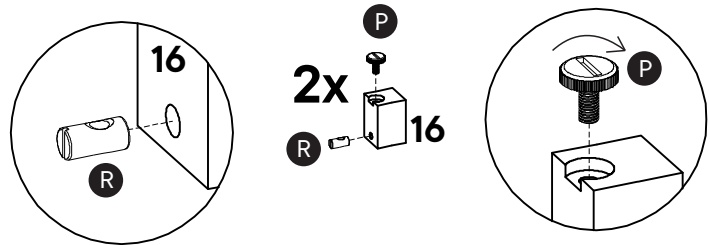
# Step 11

## COMPONENTS

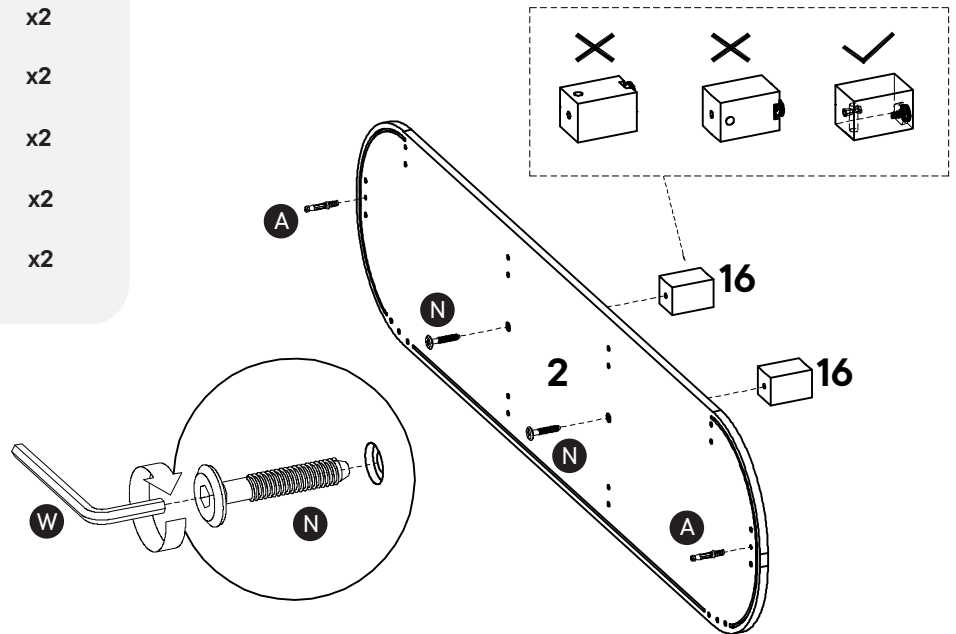
2	Bottom panel	x1
16	Bottom support	x2

## HARDWARE

A	Cambolt $\varnothing 6 \times 32$ mm	x2
N	Bolt M6 x 30 mm	x2
P	Adjustable Leveller	x2
R	Barrel Nut	x2
W	Allen key	x2



The adjustable leveler should be oriented towards the back



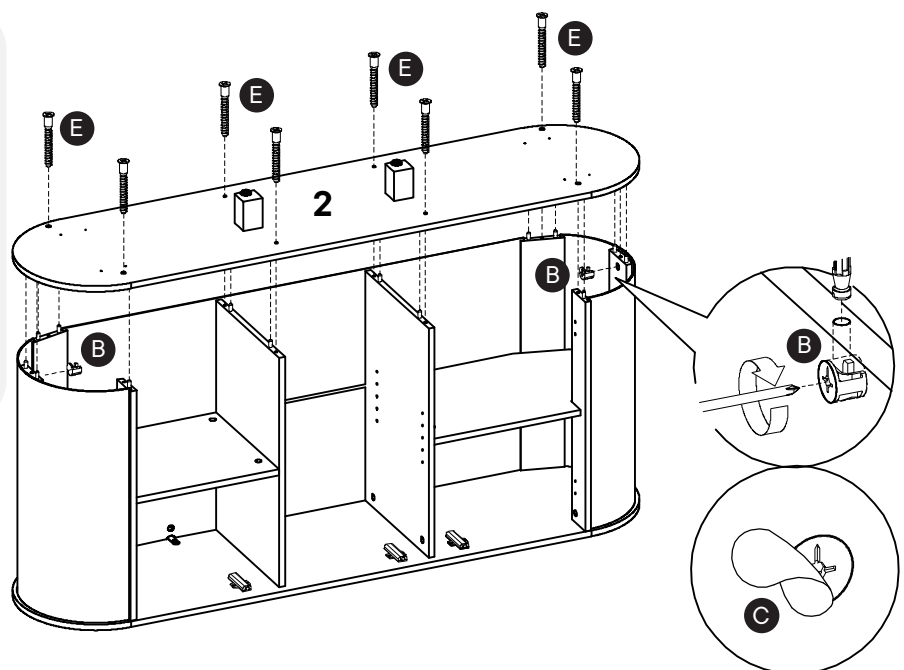
# Step 12

## COMPONENTS

2	Bottom panel	x1
---	--------------	----

## HARDWARE

B	Camlock $\varnothing 15$ mm	x2
C	Sticker	x2
E	Assembly screw	x8



# Step 13

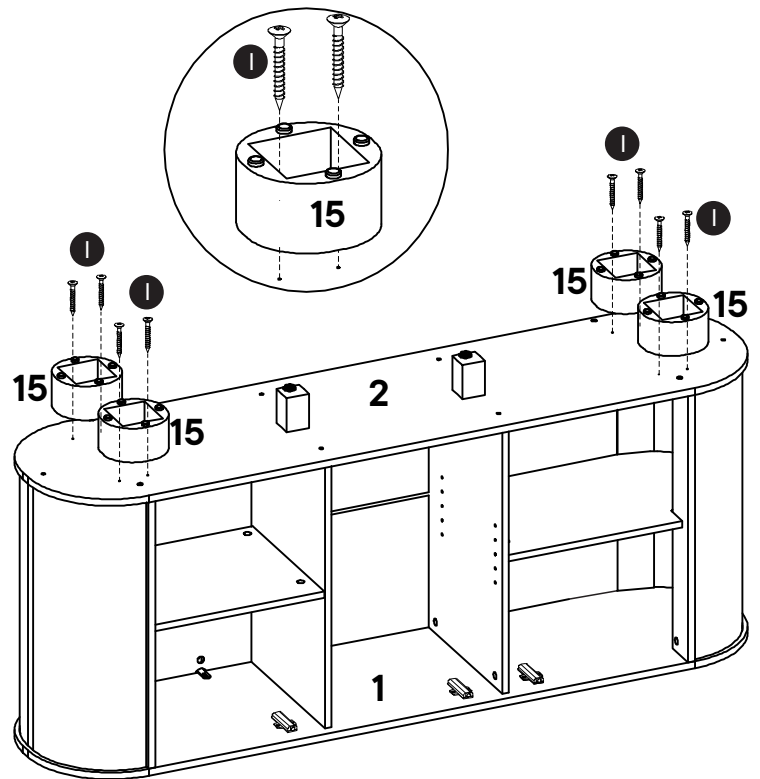
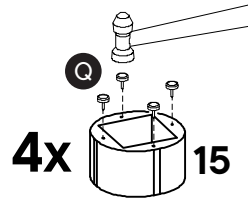
## COMPONENTS

15 Leg x4

## HARDWARE

I Screw Ø8 x 25 mm x8

Q Floor Glide x16



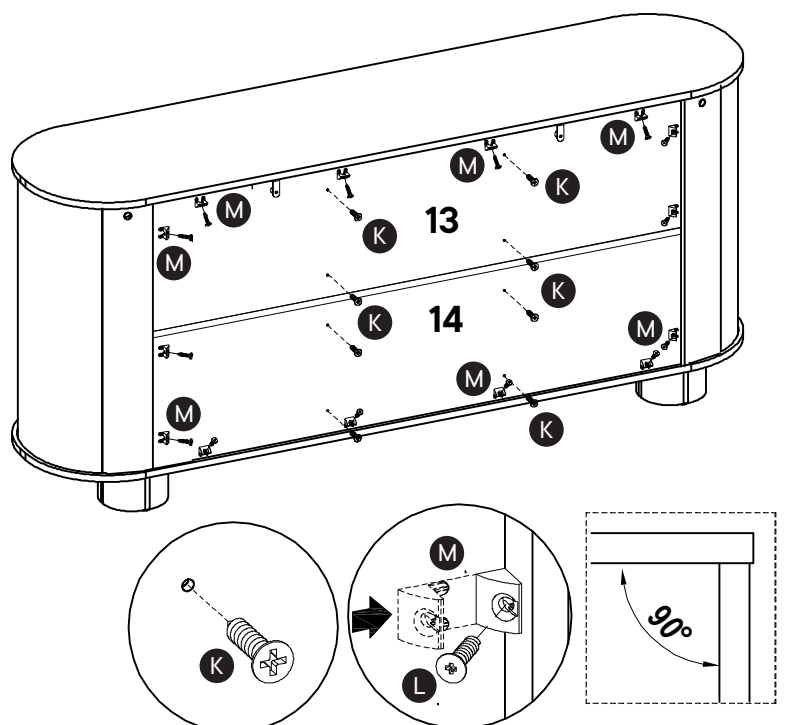
# Step 14

## HARDWARE

K Screw Ø4 x 12 mm x8

L Screw Ø6 x 19 mm x14

M Wedge x14



# Step 15

## COMPONENTS

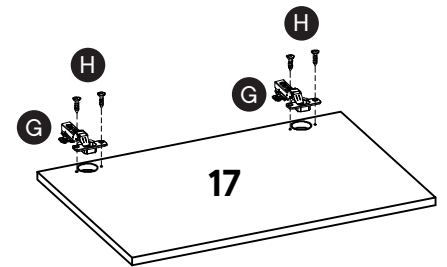
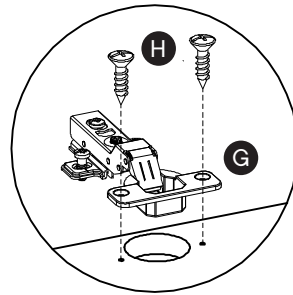
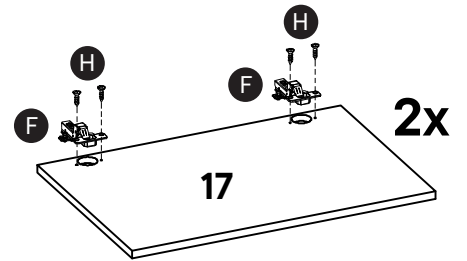
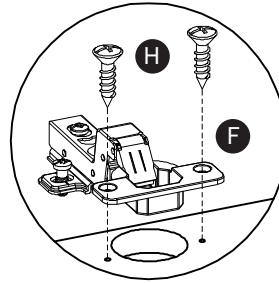
17 Door Panel x3

## HARDWARE

F Hinge x4

G Hinge x2

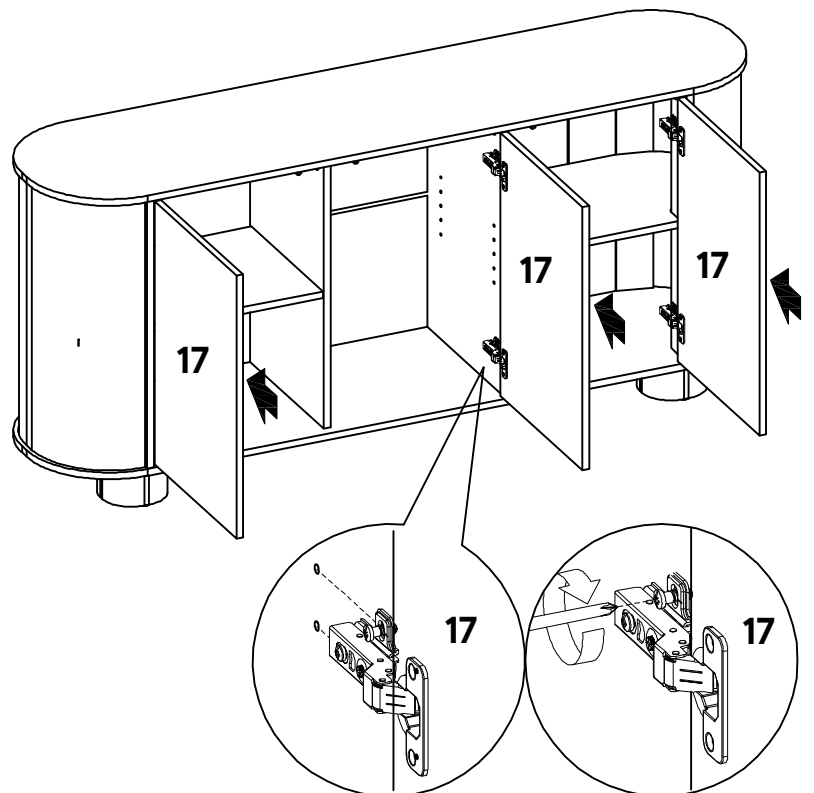
H Screw  $\varnothing 7 \times 14$  mm x12



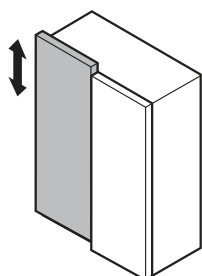
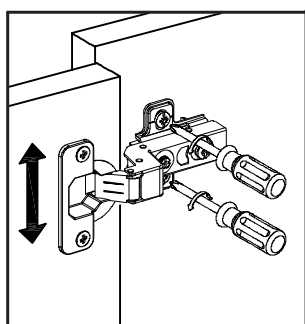
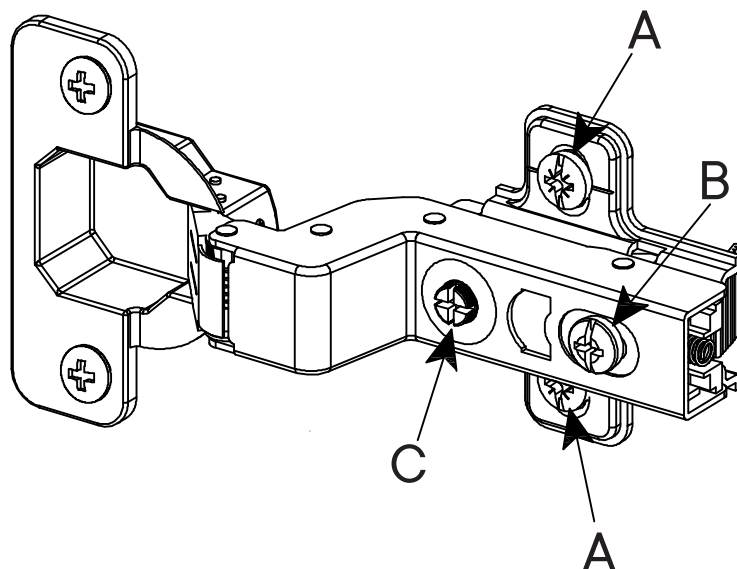
# Step 16

## COMPONENTS

17 Door Panel x3

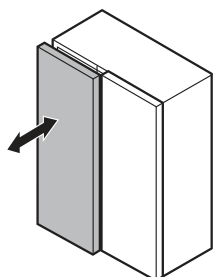
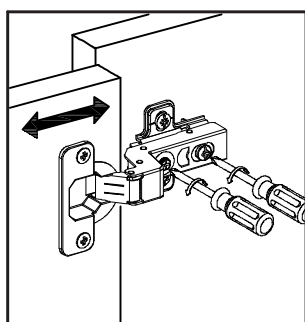


## Sideboard Door Alignment



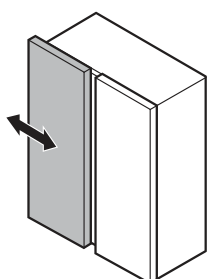
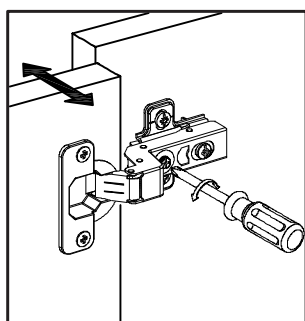
### To adjust the vertical height.

Loosen the two screws A on both hinges. Two of them are usually in slotted holes which allows you to adjust up or down by few mm. Then tighten back up.



### To adjust depth.

Loosen screw B and adjust door, if the door can not be adjusted, please loosen screw C, then try again. Tighten screw B and C.



### To adjust side ways.

Turn screw C on BOTH hinges on each door.

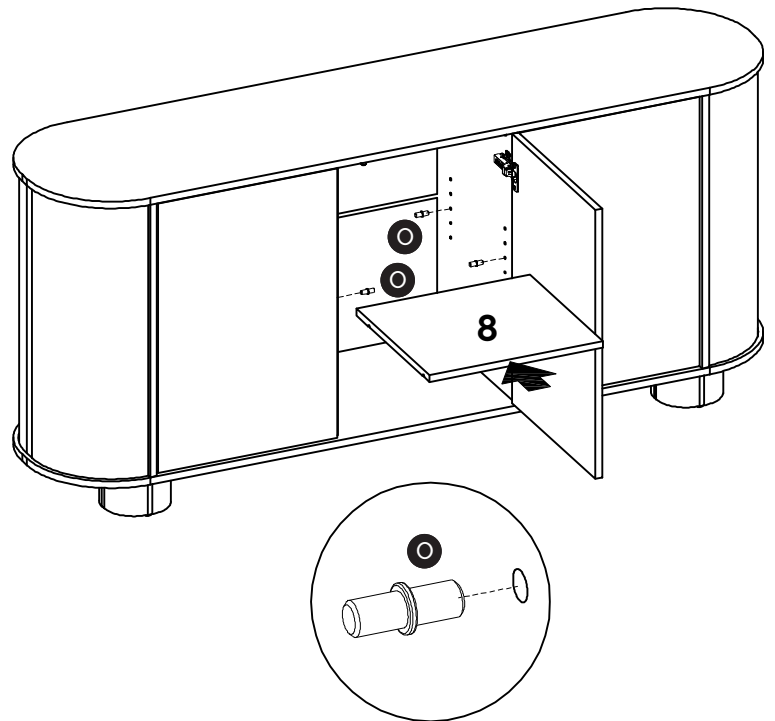
# Step 17

## COMPONENTS

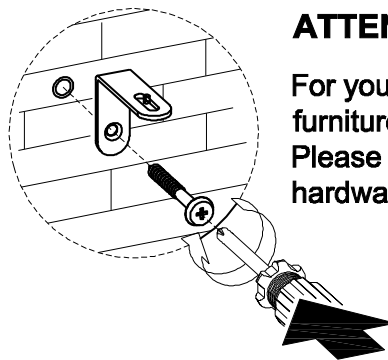
8 Adjustable shelf x1

## HARDWARE

○ Shelf pin x4

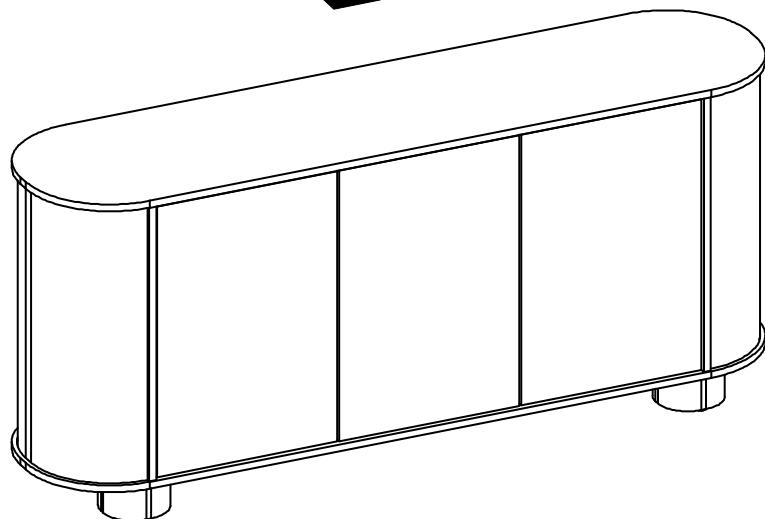


# Step 18



## ATTENTION

For your safety it is imperative to fix your furniture to the wall.  
Please source the right wall mounting hardware according to the nature of wall.



# Great job!

Your Sideboard is complete.

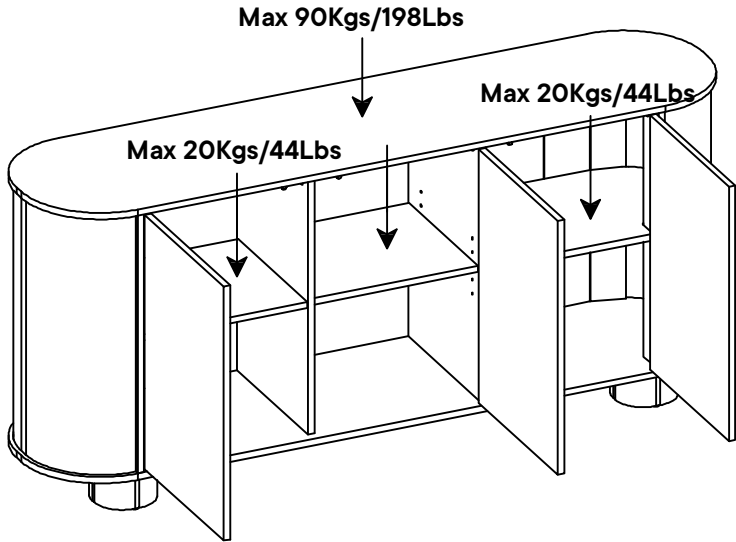


## CARING FOR YOUR ITEM

Depending on use, it may be necessary to tighten the hardware from time to time, so please save the tools that have been provided.

Not contract grade.

Clean using a non-abrasive cloth and a mild cleaner.



## CONNECT WITH US!



Tag us @modway\_furniture and #modway for a chance to be featured.