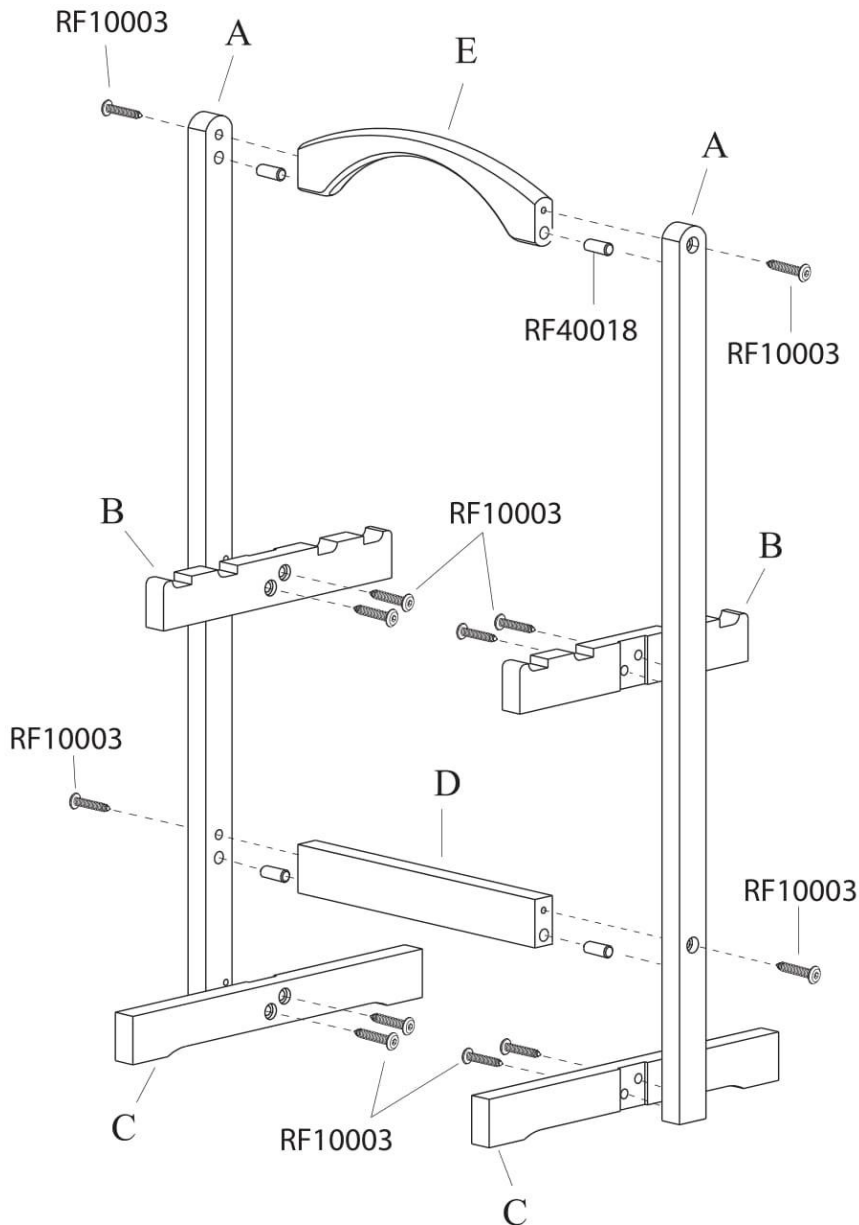


Assembly Instruction

5 Pcs Tray Table Set



List of Wooden Parts

No.	Description	Q'ty
A	Wood Post	2
B	Table Holder	2
C	Bottom Base	2
D	Cross Bar	1
E	Handle	1

List of Hardware

No.	Description	Q'ty
RF10003	Screw JCA 1/4" x 32	12
RF40018	Wood Dowel	4
RF40015	Allen Key	1



1. Insert Wood Dowel (RF40018) into the holes Crossbar (D) and Handle (E).
2. Affix Table Holder (B) and Bottom Base (C) on Wood Post (A) with screws (RF10003) as show at figure above.
3. Assemble Cross Bar (D) and Handle (E) on Wood Post with Screws (RF10003) use Allen Key (RF40015) to tighten all wood screws.

Now your table stand is ready for Tray Table Storage.