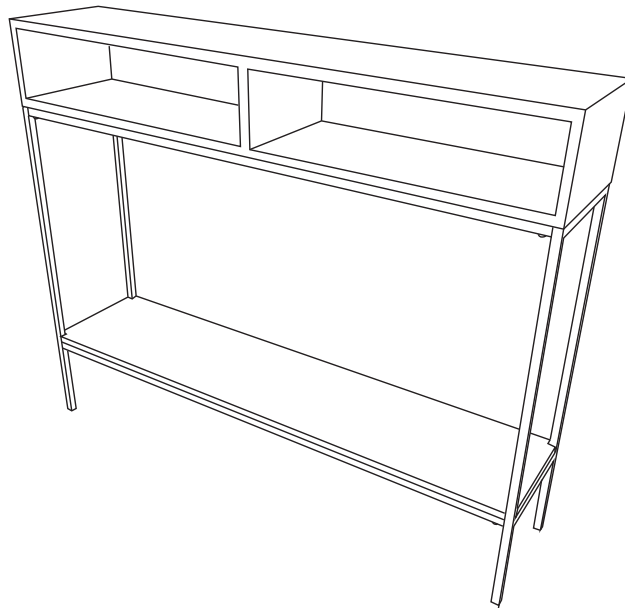
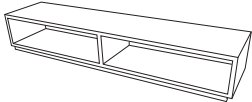
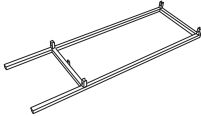
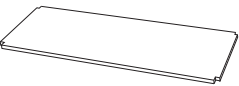





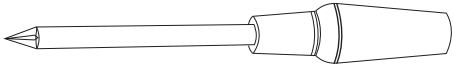


## Assembly Instructions

### CONSOLE WITH TWO CUBBY TOP AND SHELF



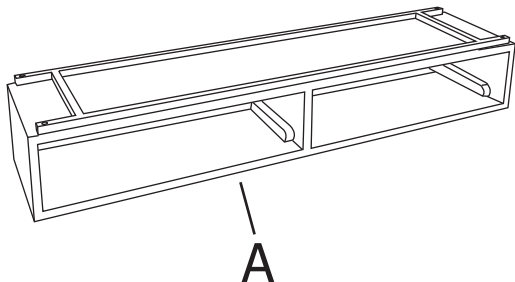
Thank you for purchasing product. This product has been designed for easy assembly and is constructed for durability. Please take the time to read and follow the assembly instructions carefully. If a part or hardware is missing or you have any difficulties in assembling this product, please contact us .

NO.	PARTS	DESCRIPTION	Q'TY	NO.	PARTS	DESCRIPTION	Q'TY
A		Console Top	1 PC	B		R & L Leg Assembly	2 PC
C		Bottom Shelf	1 PC	D		Allen Head Wrench 4MM	1 PC each
E		Flat Washer	8 PCS	F		Spring Washer	8 PCS
G		Allen Head Bolt M6 X 12	8 PCS	H		Wood Screw 12mm	2 PCS
I				Tool You Will Need (Not Supplied)		Crosshead Screwdriver	1PC

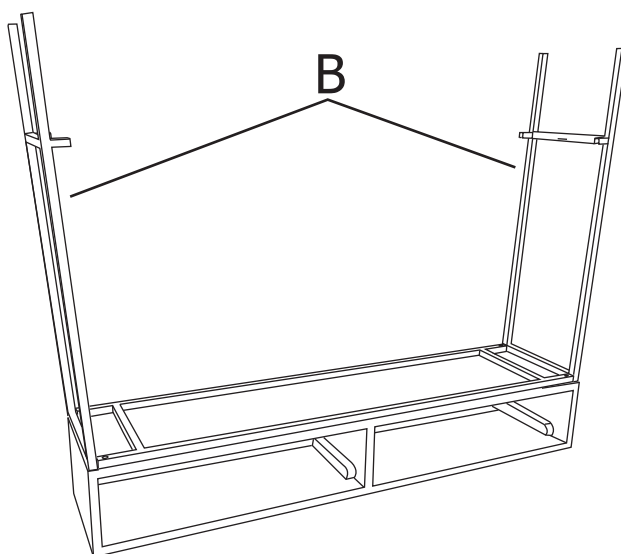
# Assembly Instructions

## CONSOLE WITH TWO CUBBY TOP AND SHELF

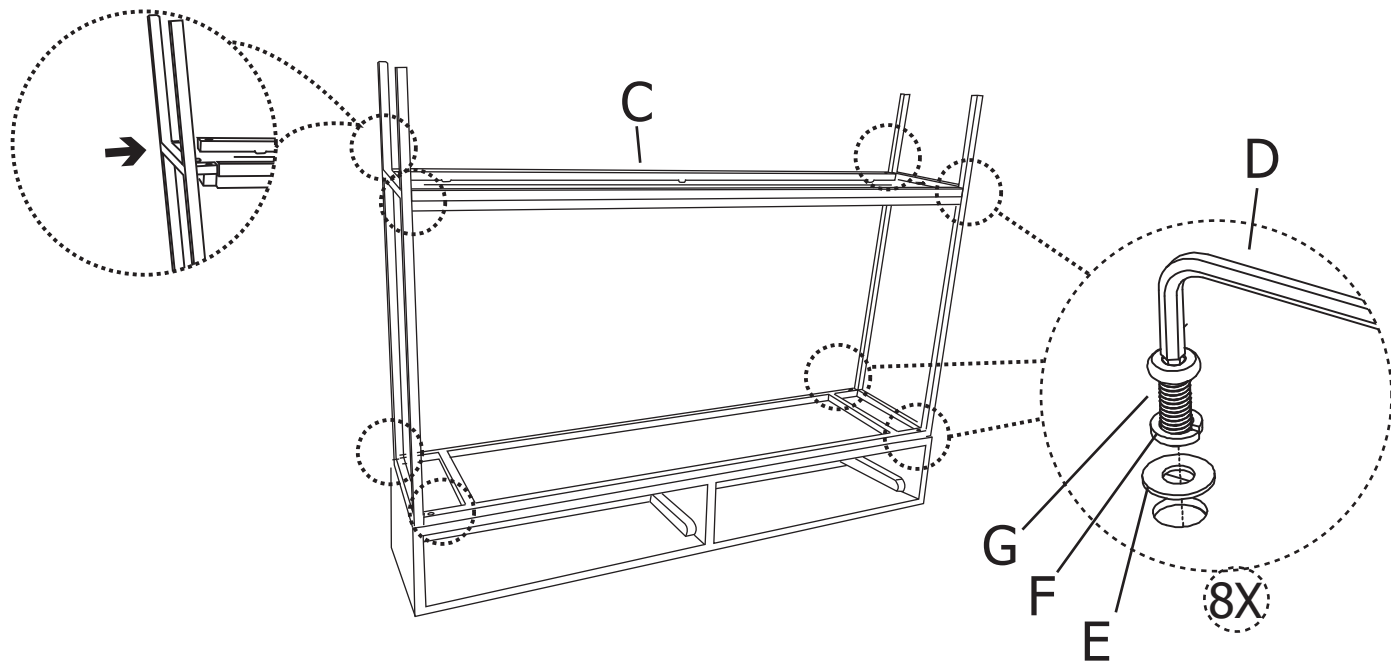
### STEP 1



### STEP 2



### STEP 3



# Assembly Instructions

## CONSOLE WITH TWO CUBBY TOP AND SHELF

STEP 4

