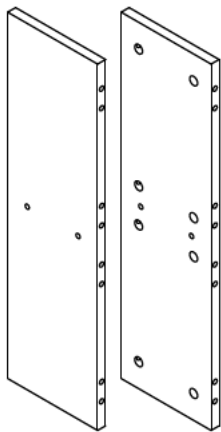
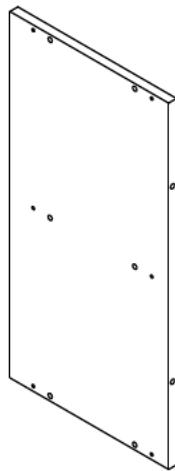


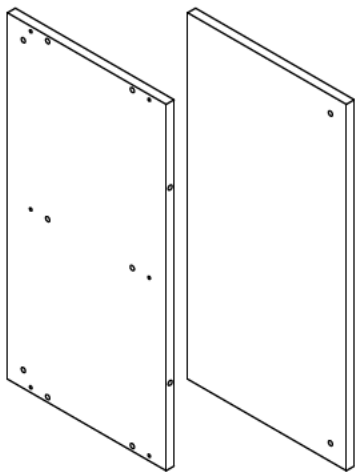
Ax2



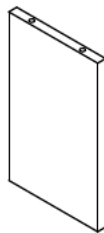
Bx1



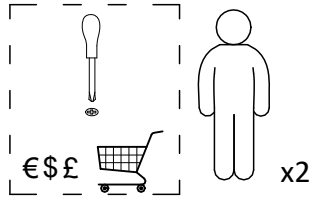
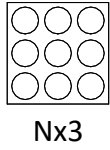
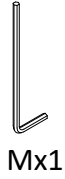
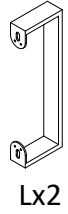
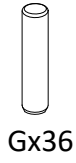
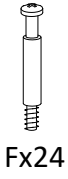
Cx2



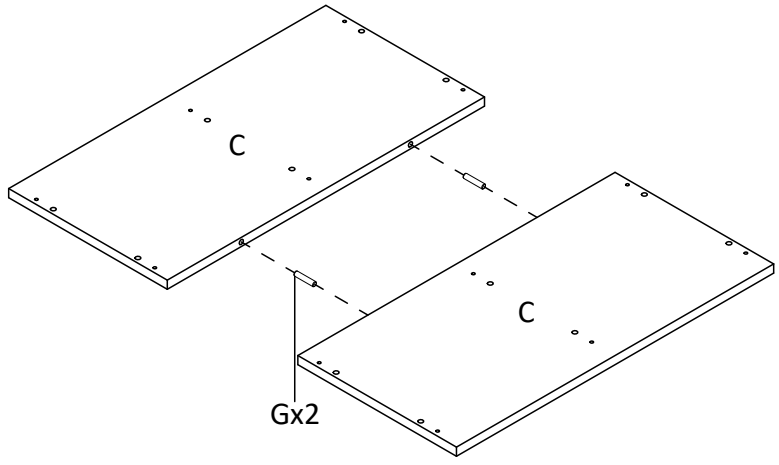
Dx2



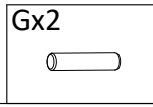
Ex2



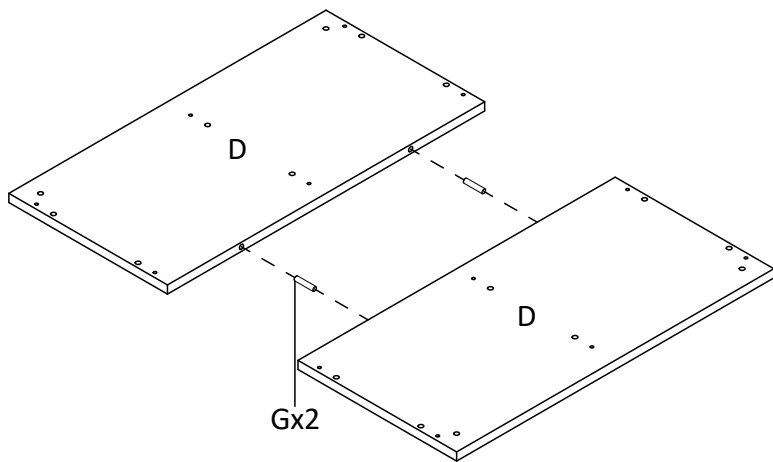
1



a



2

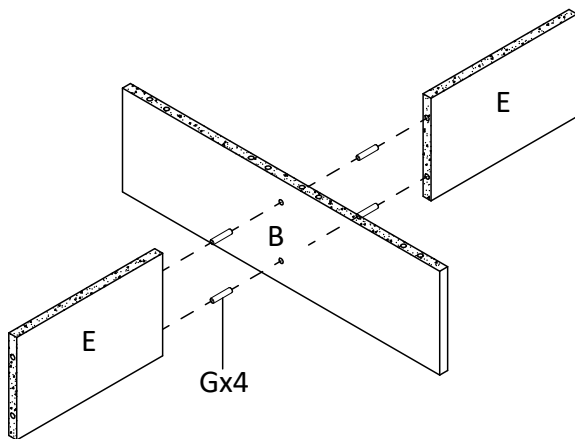


(b)

Gx2

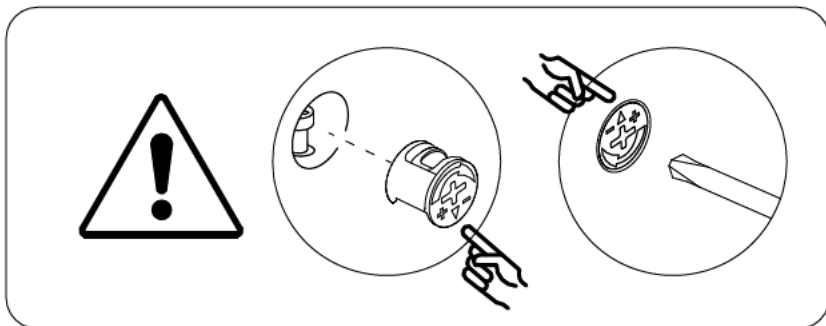


3

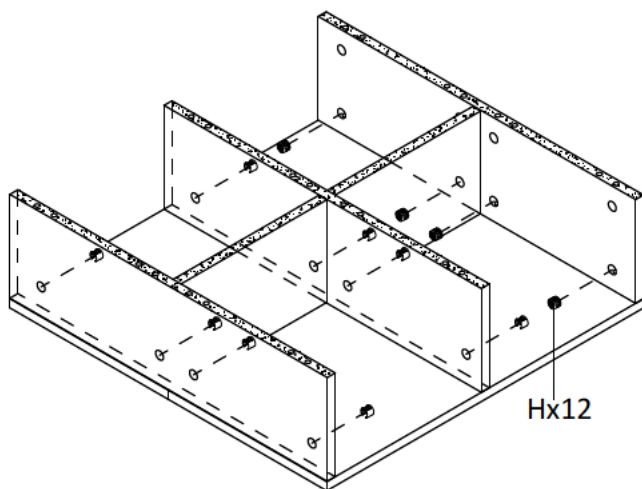


Gx4





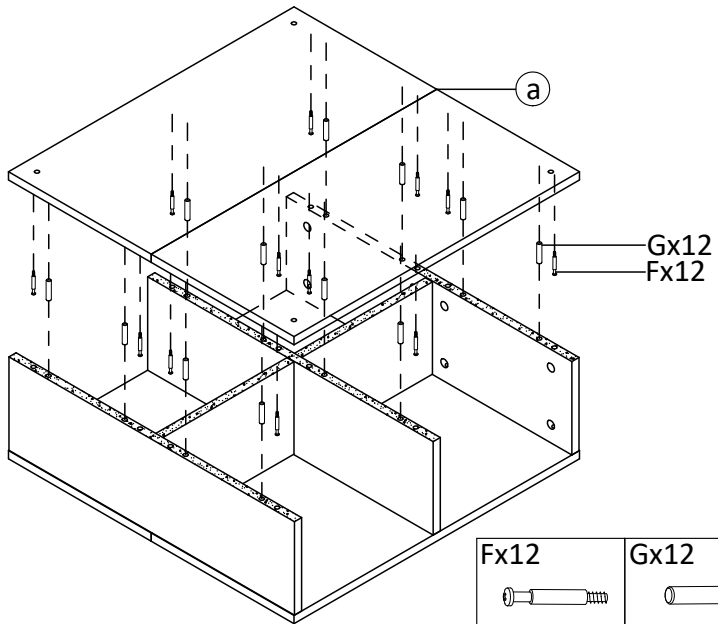
6



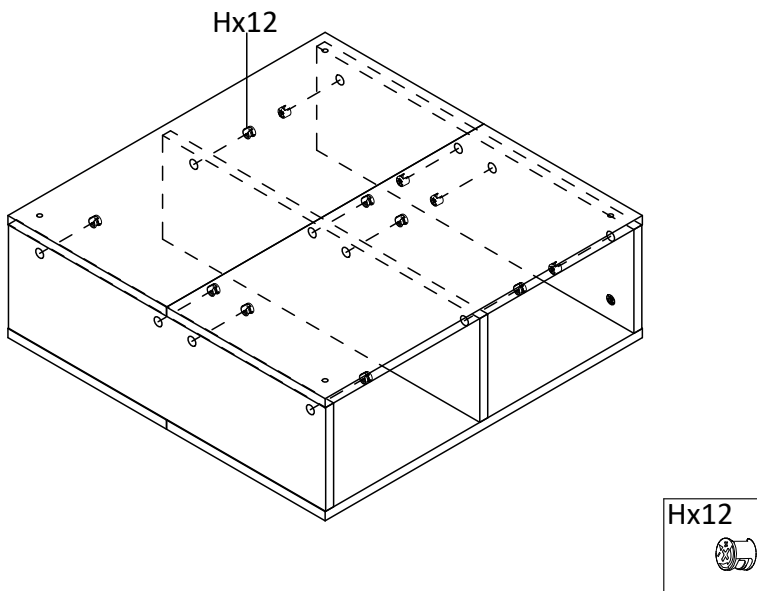
Hx12



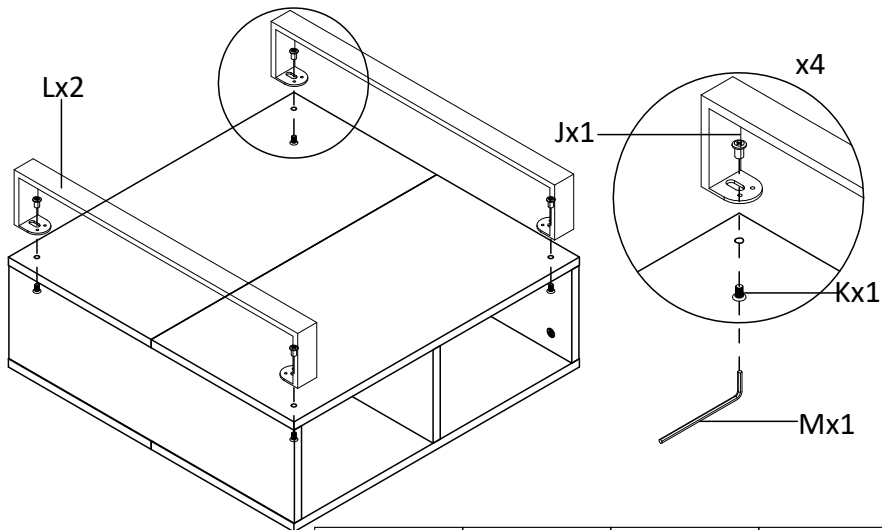
7







8

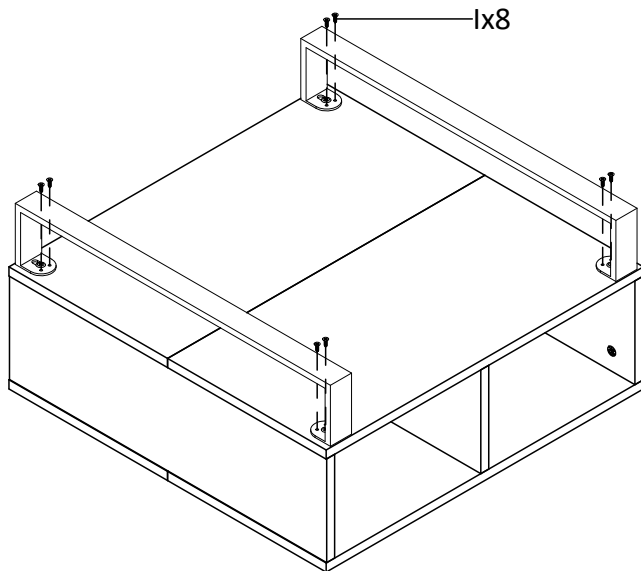


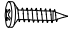
9

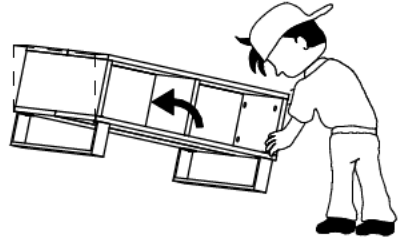
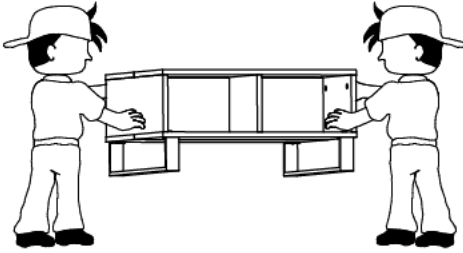


Lx2 	Kx4 	Jx4 	Mx1 
---	---	---	--

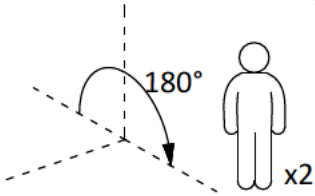
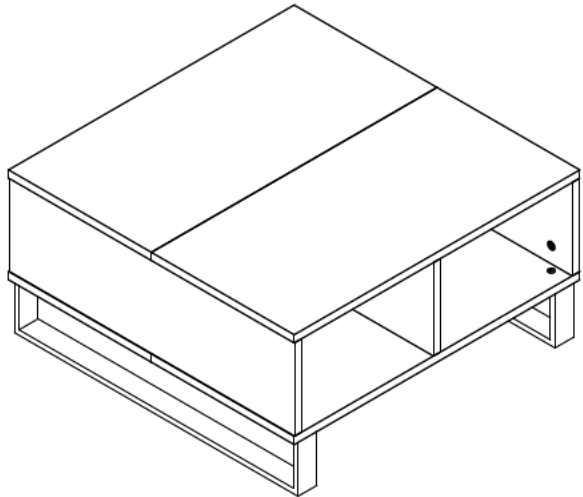
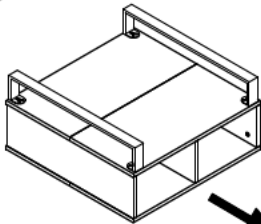
10

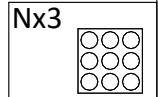
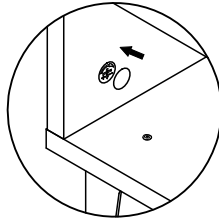
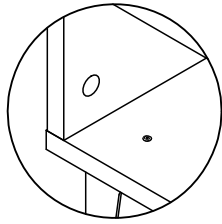
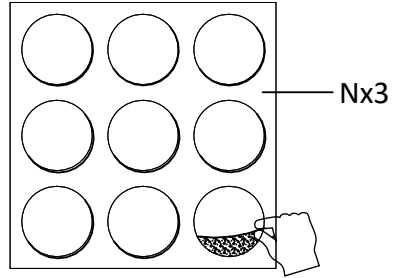
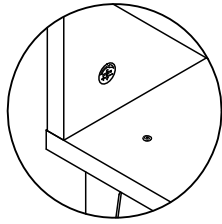


lx8 
--



11





12

