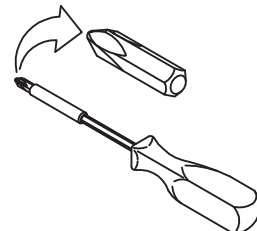
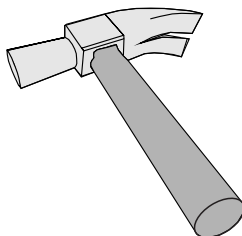
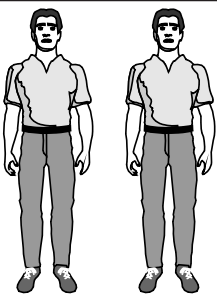
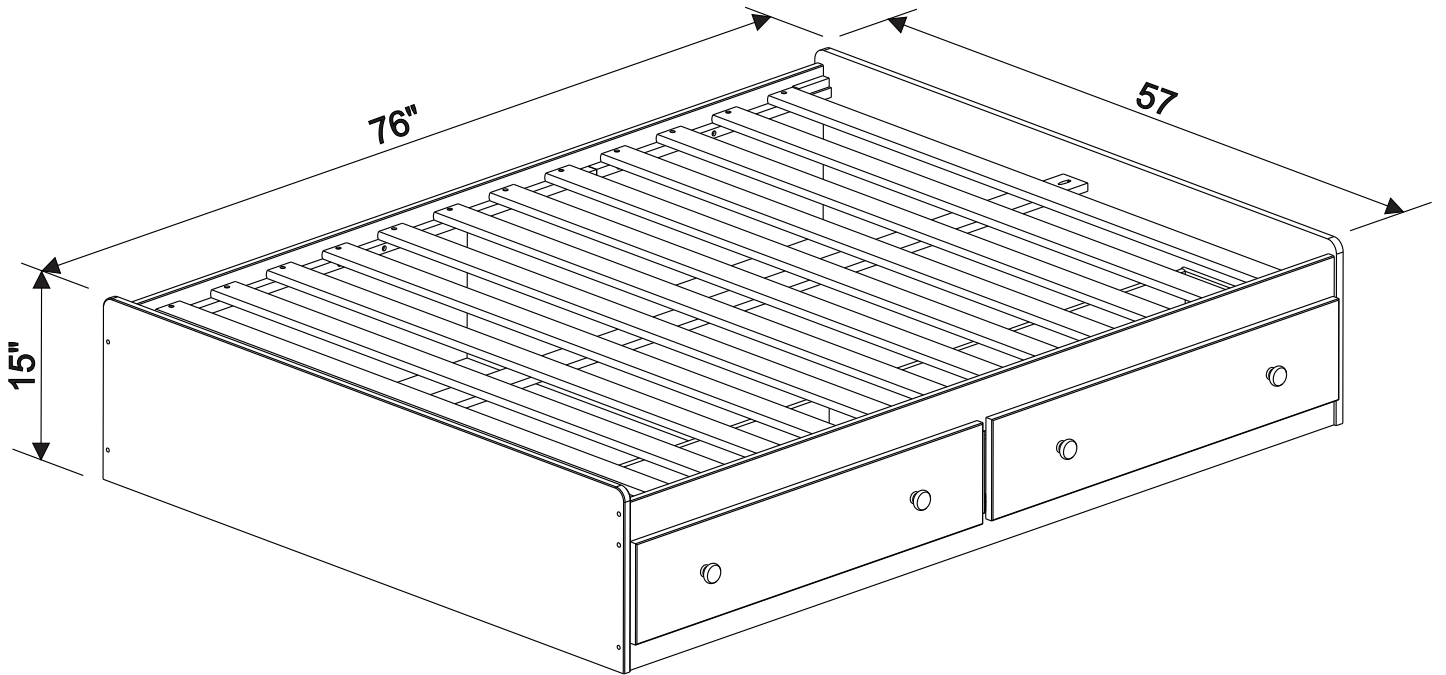


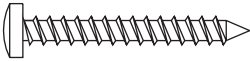

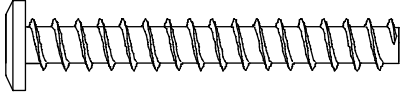
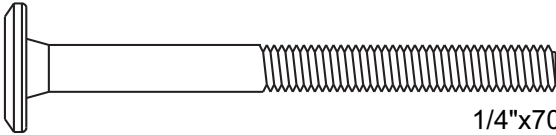

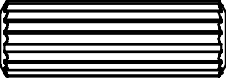
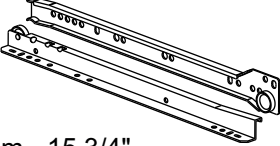
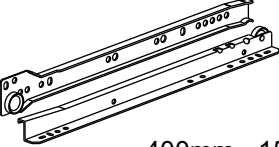


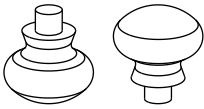
# ASSEMBLY INSTRUCTIONS

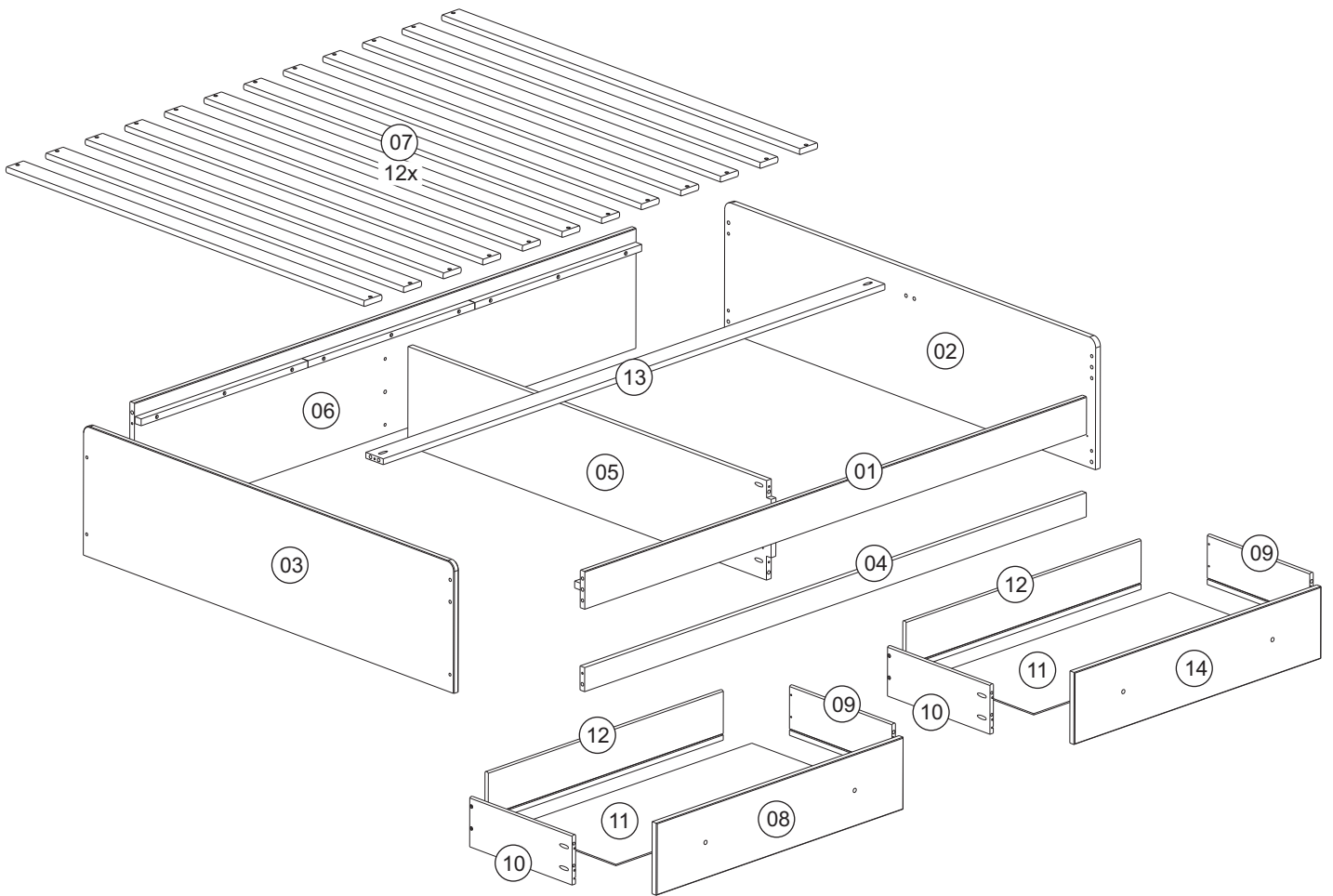
## FULL MATE'S BED

Mahogany  
Honey Pine  
Java

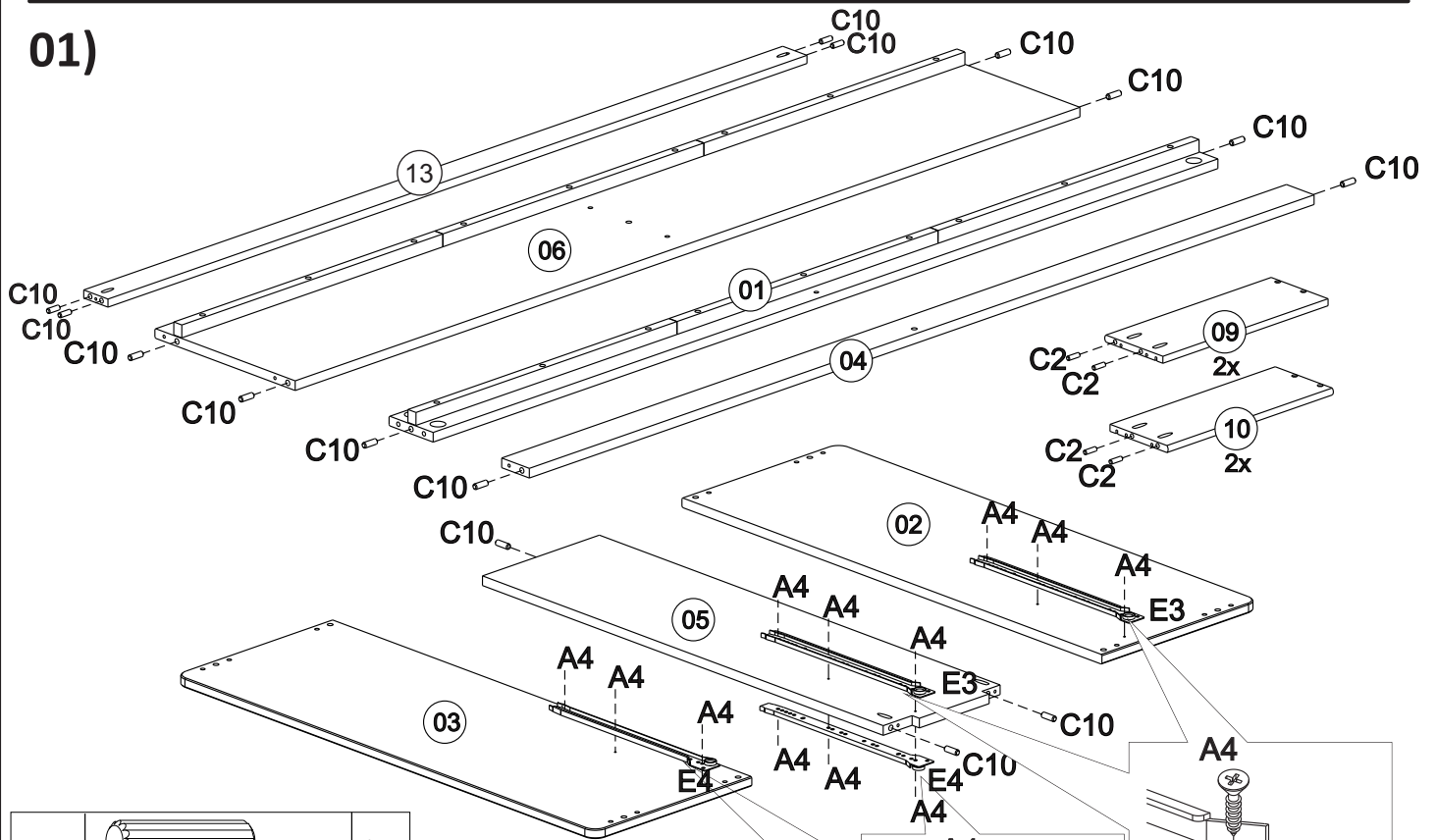


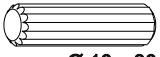
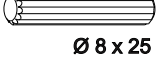
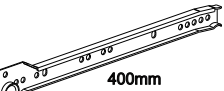
HARDWARE IS SHOWN IN ACTUAL SIZE

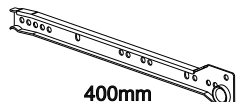

A1	 <div style="text-align: right;">4,0x30</div>	48
A4	 <div style="text-align: right;">3,5x14</div>	20
B5	<div style="text-align: right;">1/4"</div>	04
B8	 <div style="text-align: right;">7,0x50</div>	08
B18	 <div style="text-align: right;">1/4"x70</div>	04
C2	 <div style="text-align: right;">8,0x25</div>	08
C10	 <div style="text-align: right;">10x30</div>	15
E3	 <div style="text-align: center;">400mm - 15 3/4"</div>	02
E4	 <div style="text-align: center;">400mm - 15 3/4"</div>	02
G3		01
G4	 <div style="text-align: center;">space block</div>	02
H1		04

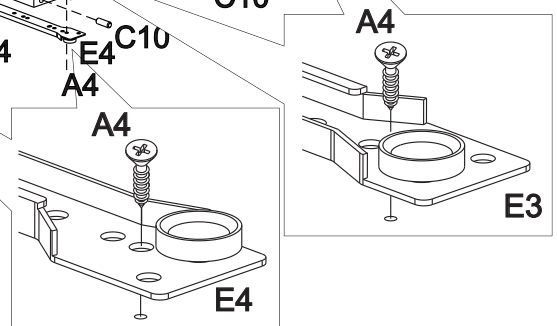


01)

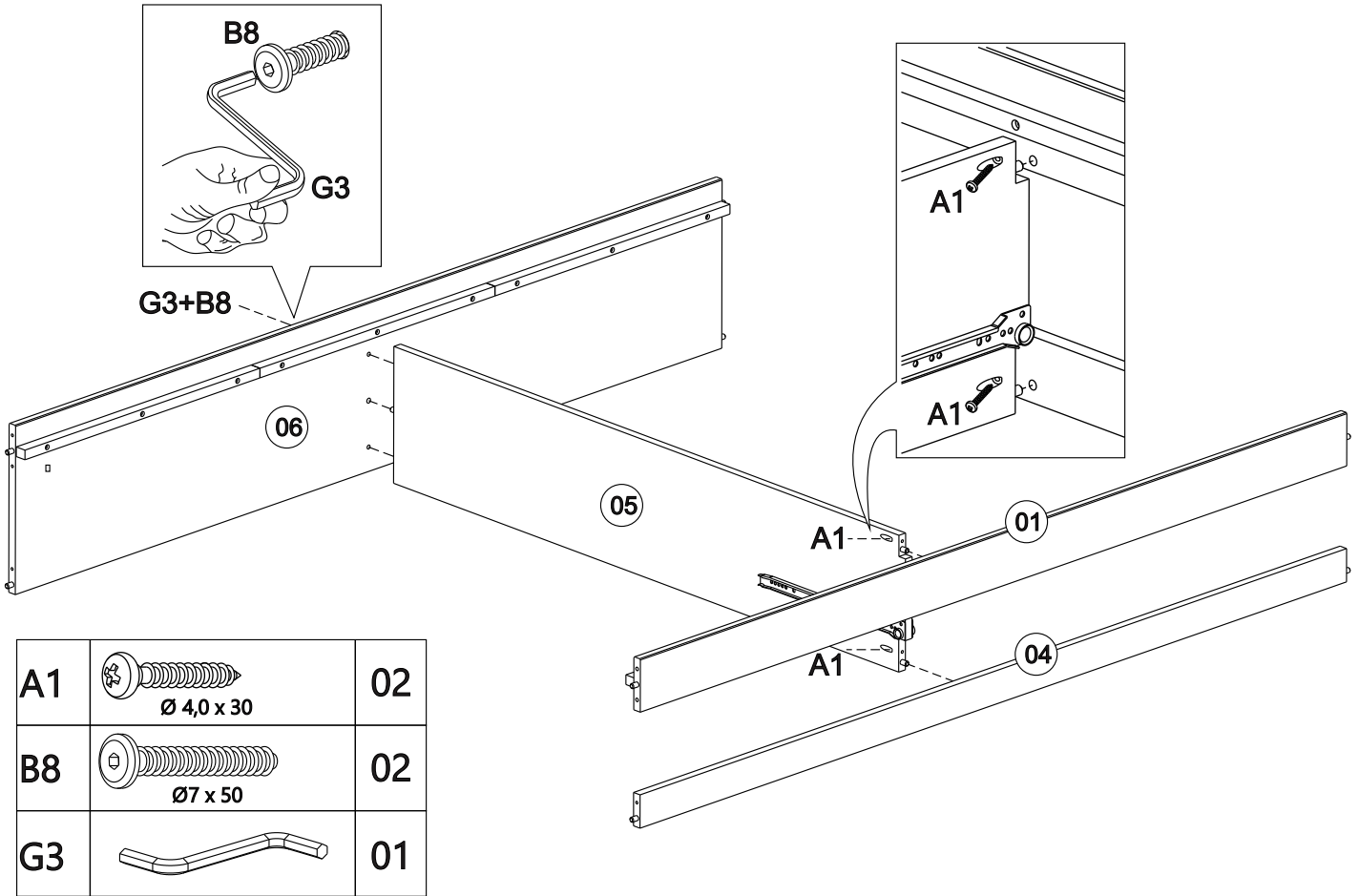


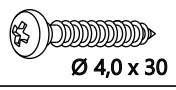
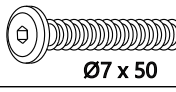
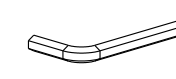
C10	 Ø 10 x 30	15
C2	 Ø 8 x 25	08
E4	 400mm	02

E3	 400mm	02
A4	 Ø3,5 x 14	12

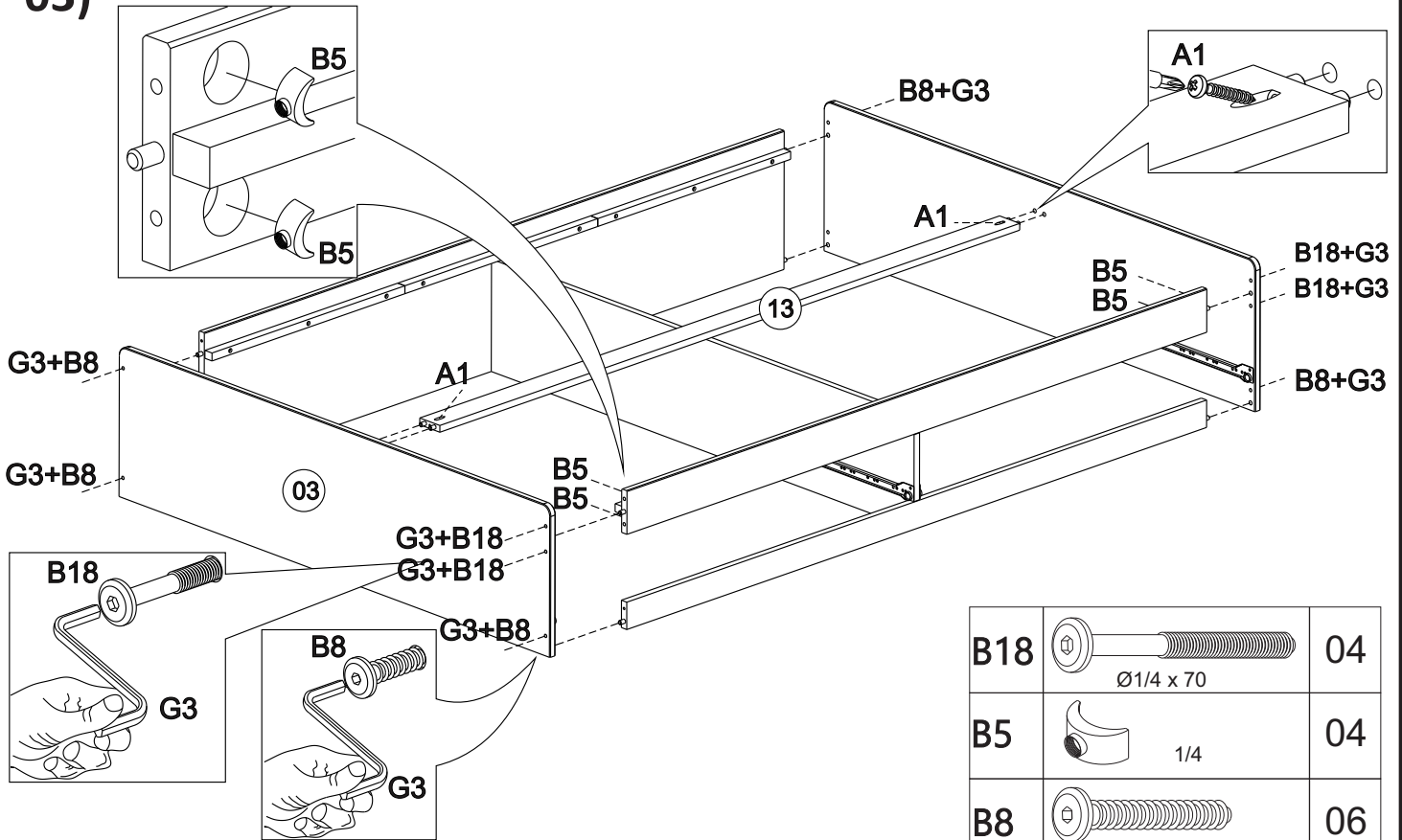


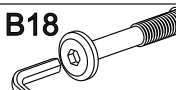



02)




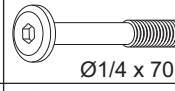
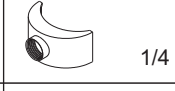
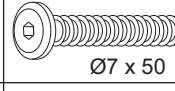

A1		02
B8		02
G3		01

03)

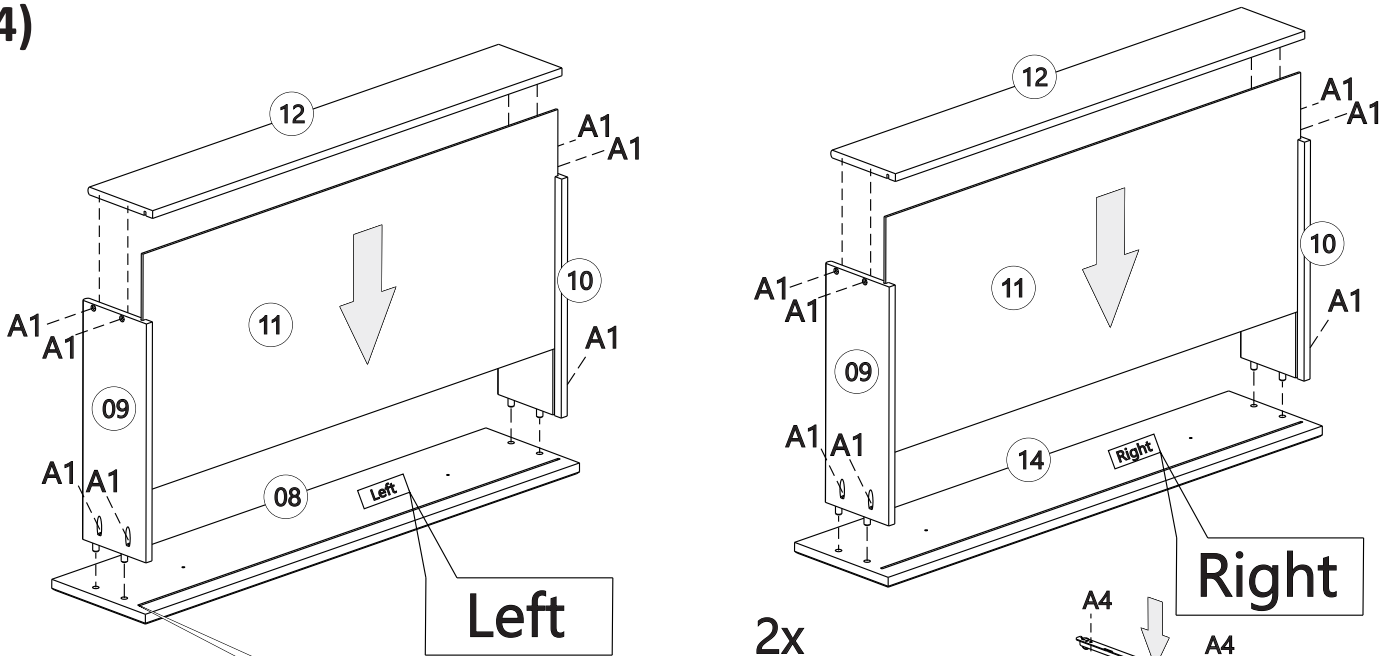



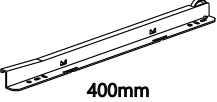
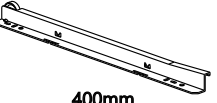
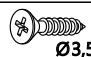
B18		04
B5		04
B8		06
G3		01

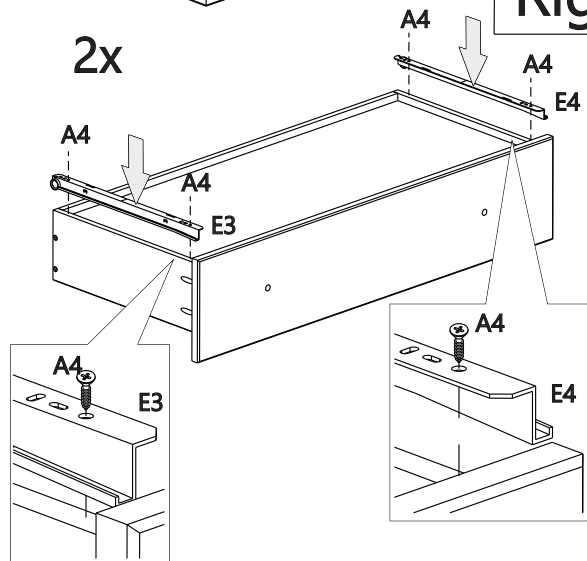
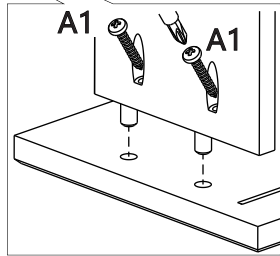
A1		02
----	-------------------------------------------------------------------------------------	----

B18		04
B5		04
B8		06
G3		01

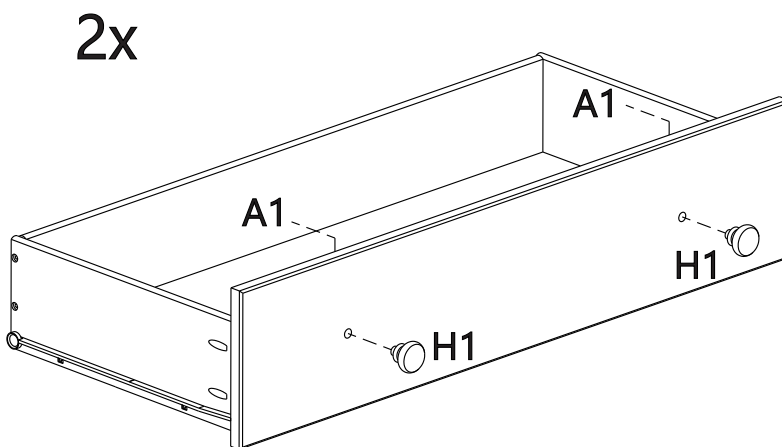
04)





A1		16
E4		02
E3		02
A4		08

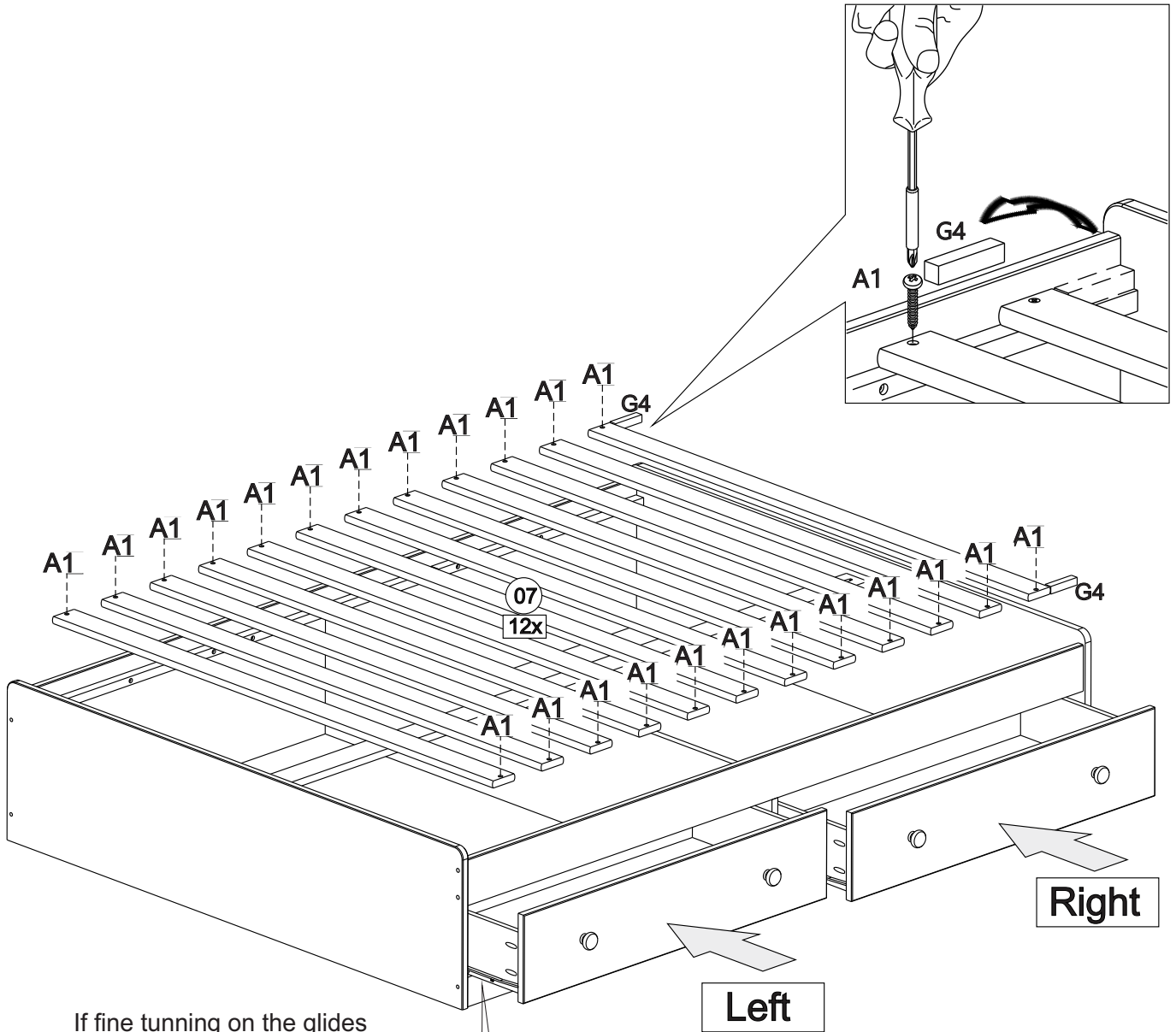


05)

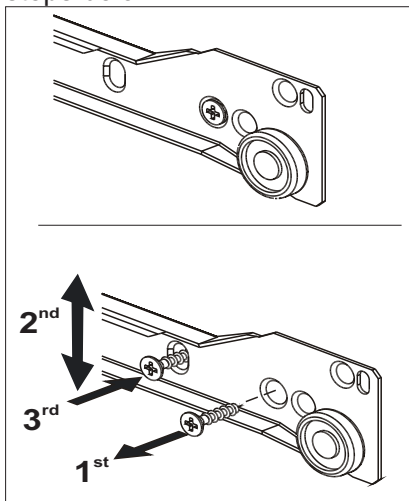


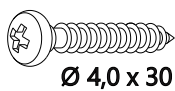

A1		04
H1		04

06)



If fine tuning on the glides is needed please follow the steps below



A1	 Ø 4,0 x 30	24
G4		02