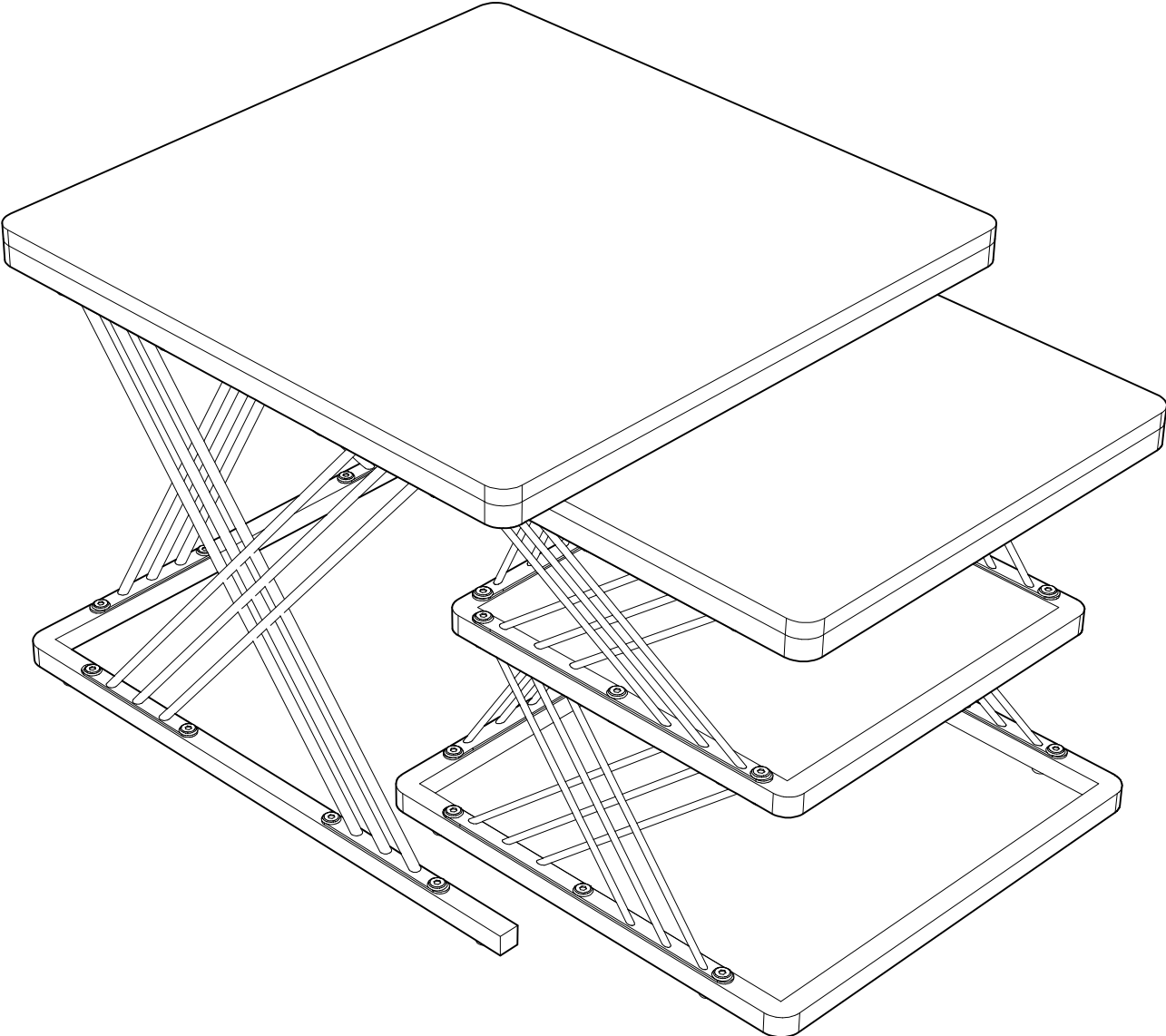
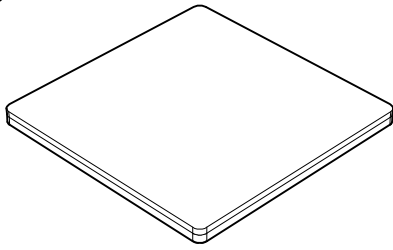


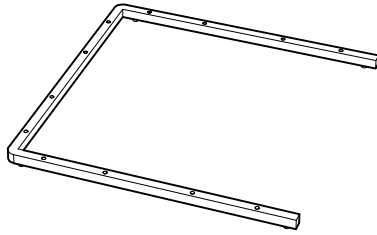
# ASSEMBLY INSTRUCTIONS



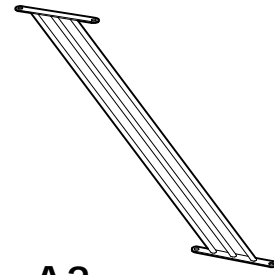
parts list



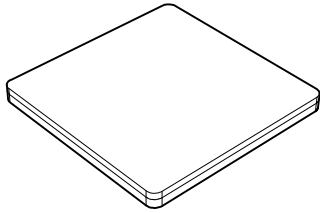
**A1:**Panel (large)  
1pcs



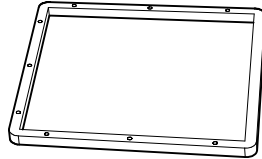
**A2:**Bottom frame (large)  
1pcs



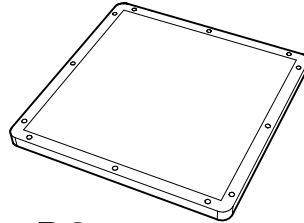
**A3:**Connecting piece  
(large) 6pcs



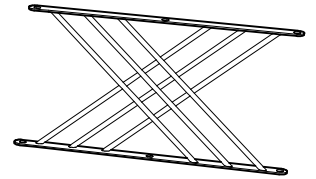
**B1:**Panel (small)  
1pcs



**B2:**Bottom frame (small)  
1pcs



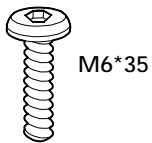
**B3:**Middle frame (small)  
1pcs



**B4:**Connecting piece  
(small)6pcs



**C1:**Screw  
42pcs



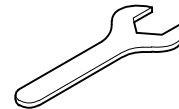
**C2:**Male screw  
9pcs



**D:**Allen wrench  
1pcs



**E:**Nuts  
9pcs

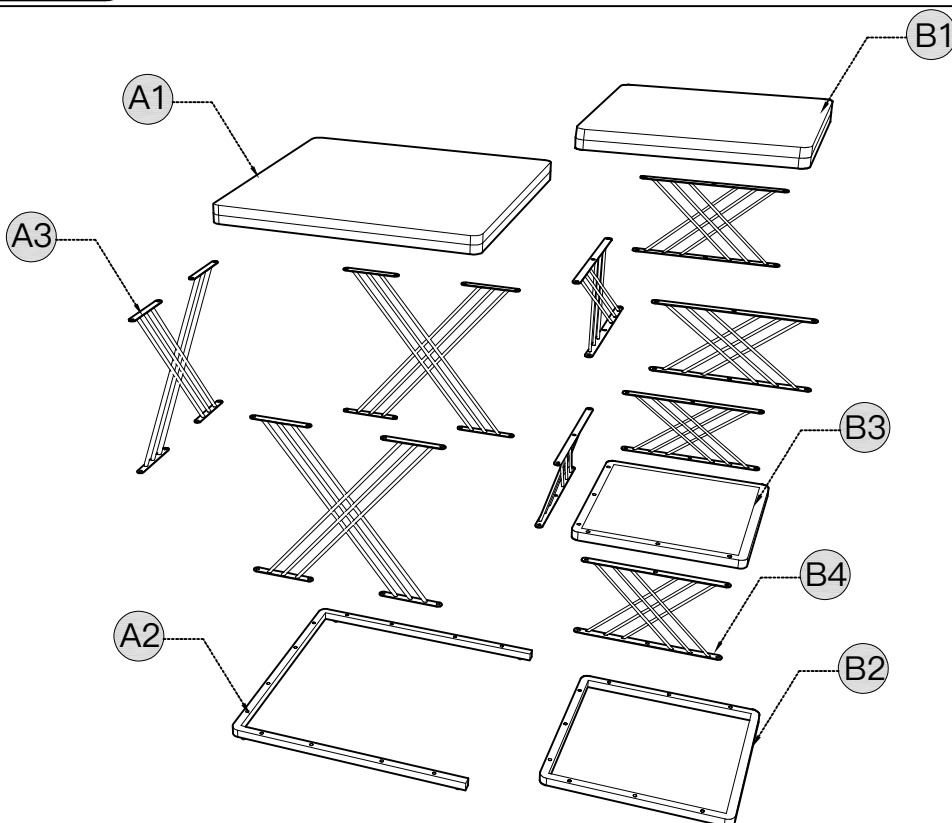


**F:**Spanner  
1pcs



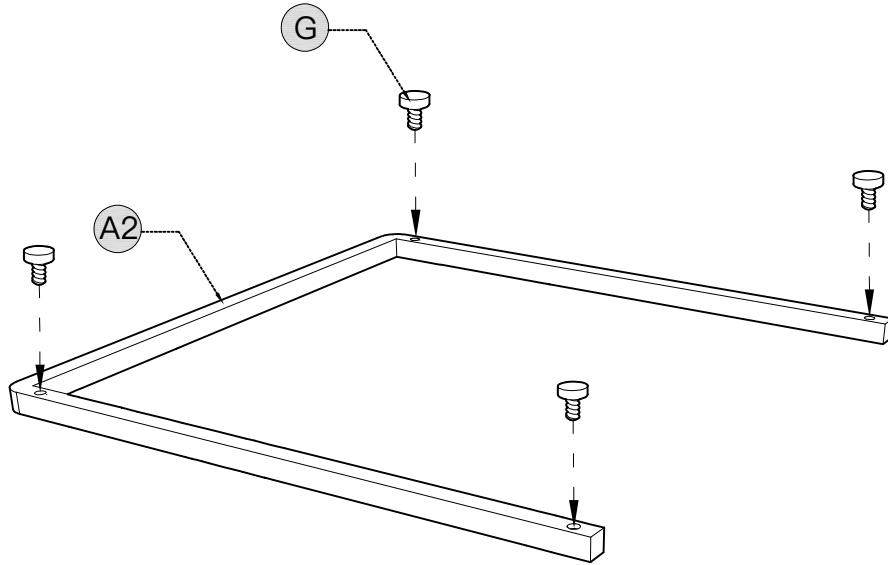
**G:**Foot pads  
8pcs



Explosion map



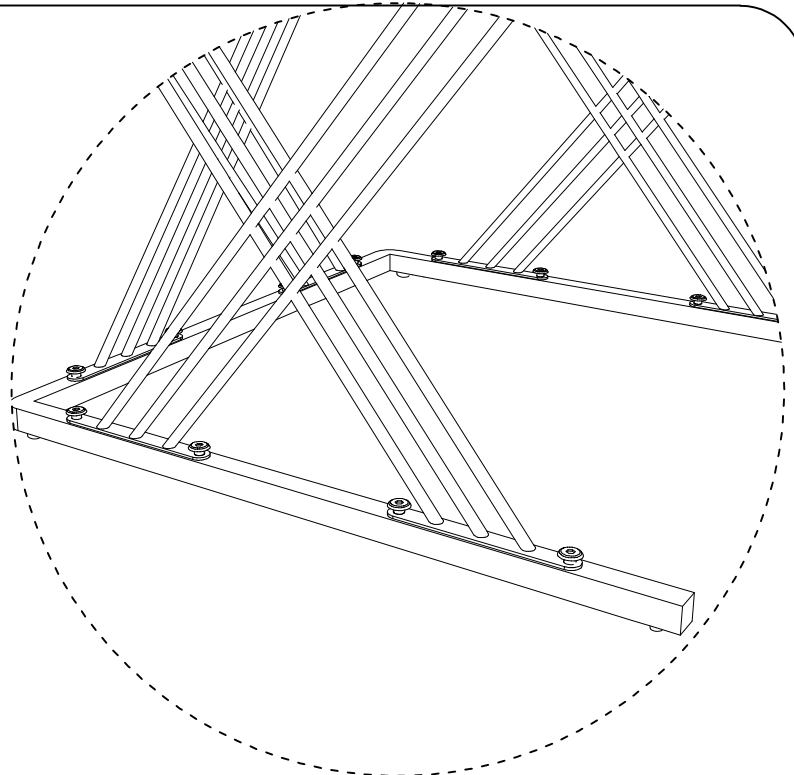
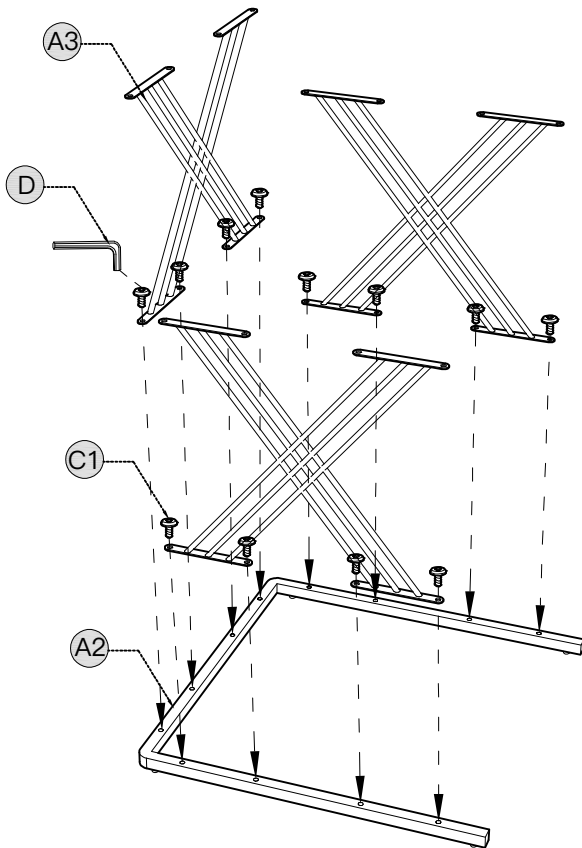
Installation method

Step 1

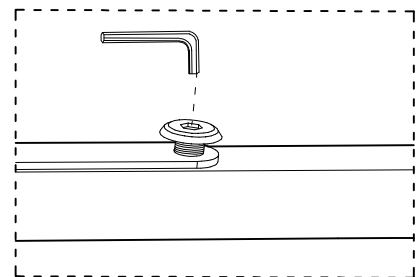


A2		x1
G		x4



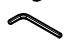
Step 2



Tip: While the connector (A3) is close to the outside, the middle connecting rod should also be close to the outside.

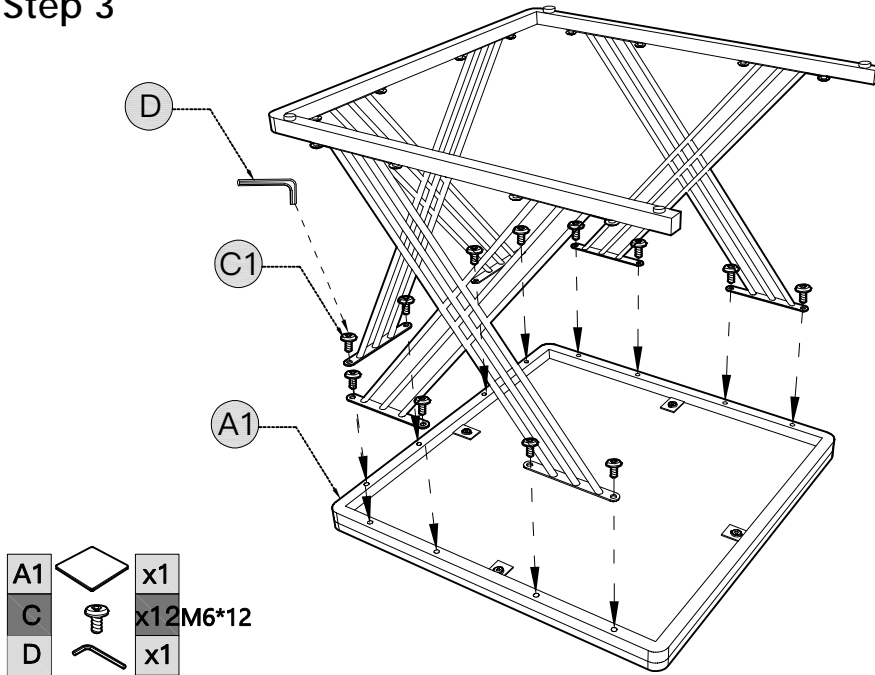


Tip: Before all the screws are fixed, the screws can only be tightened to one-half.

A3		x6
C1		x12M6*12
D		x1

Installation method

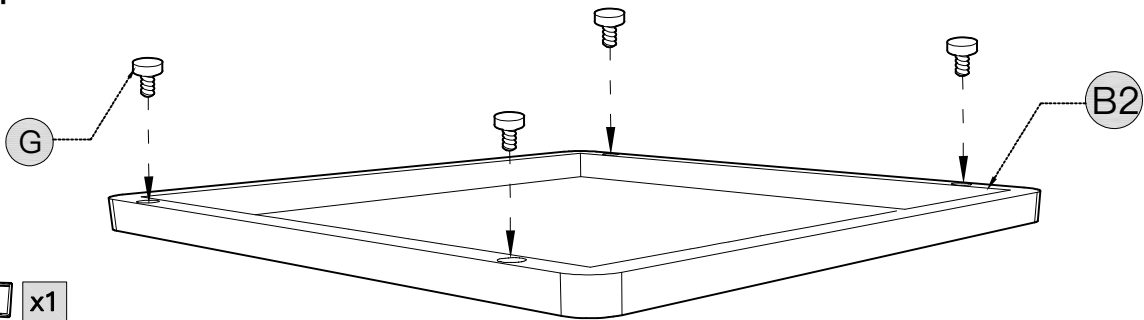
Step 3



- |    |  |           |
|----|--|-----------|
| A1 |  | x1        |
| C  |  | x12 M6*12 |
| D  |  | x1        |

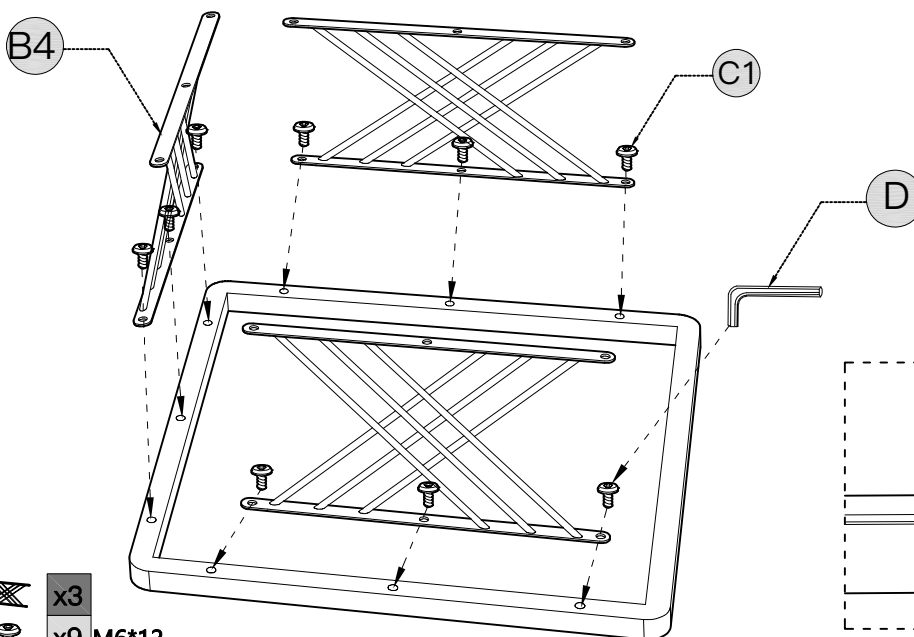
Tip: All screws screwed to half are now fixed and tightened.

Step 4



- |    |  |    |
|----|--|----|
| B2 |  | x1 |
| G  |  | x4 |

Step 5

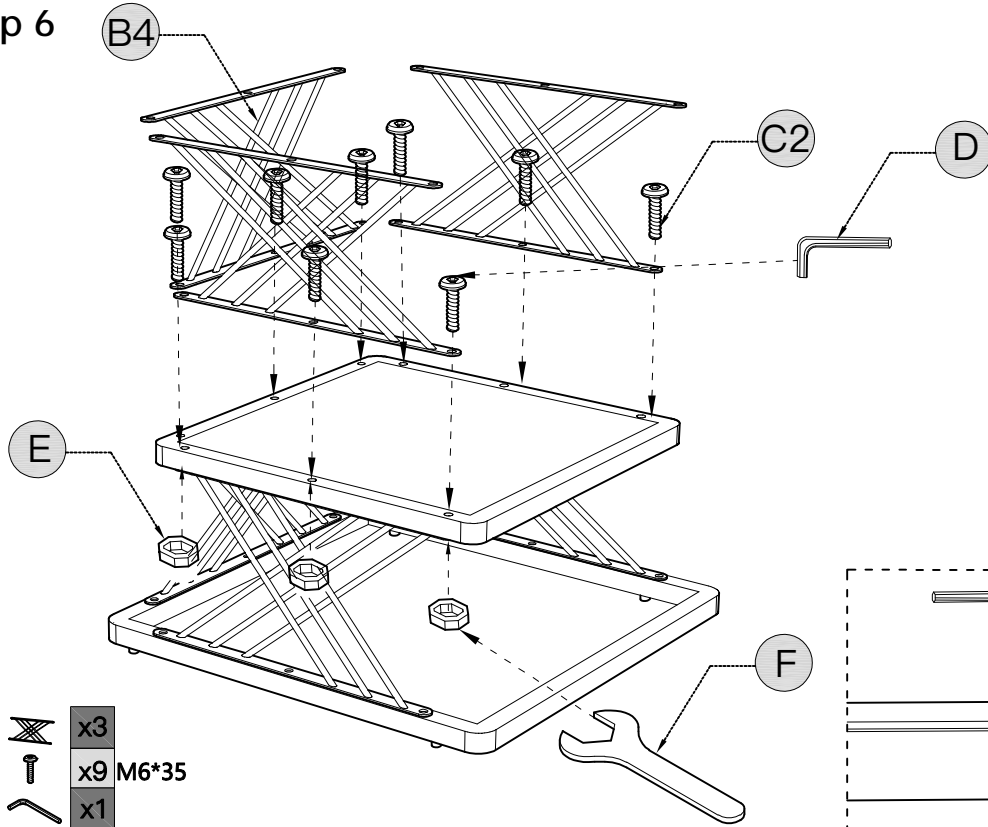




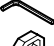


- |    |  |          |
|----|--|----------|
| B4 |  | x3       |
| C1 |  | x9 M6*12 |
| D  |  | x1       |

Tip: Before all the screws are fixed, the screws can only be tightened to one-half.

Installation method

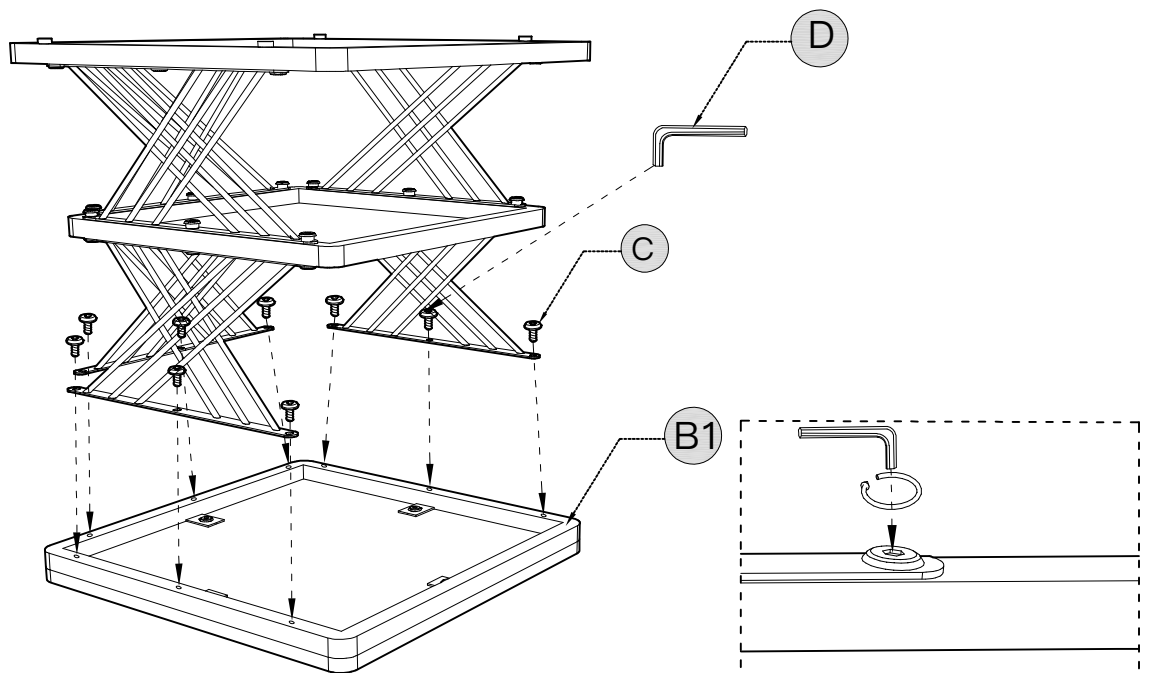
Step 6

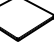




B4		x3
C2		x9 M6*35
D		x1
E		x9
F		x1

Tip: Before all the screws are fixed, the screws can only be tightened to one-half.

Step 7



B1		x1
C		x9 M6*12
D		x1

Tip: All screws screwed to half are now fixed and tightened.