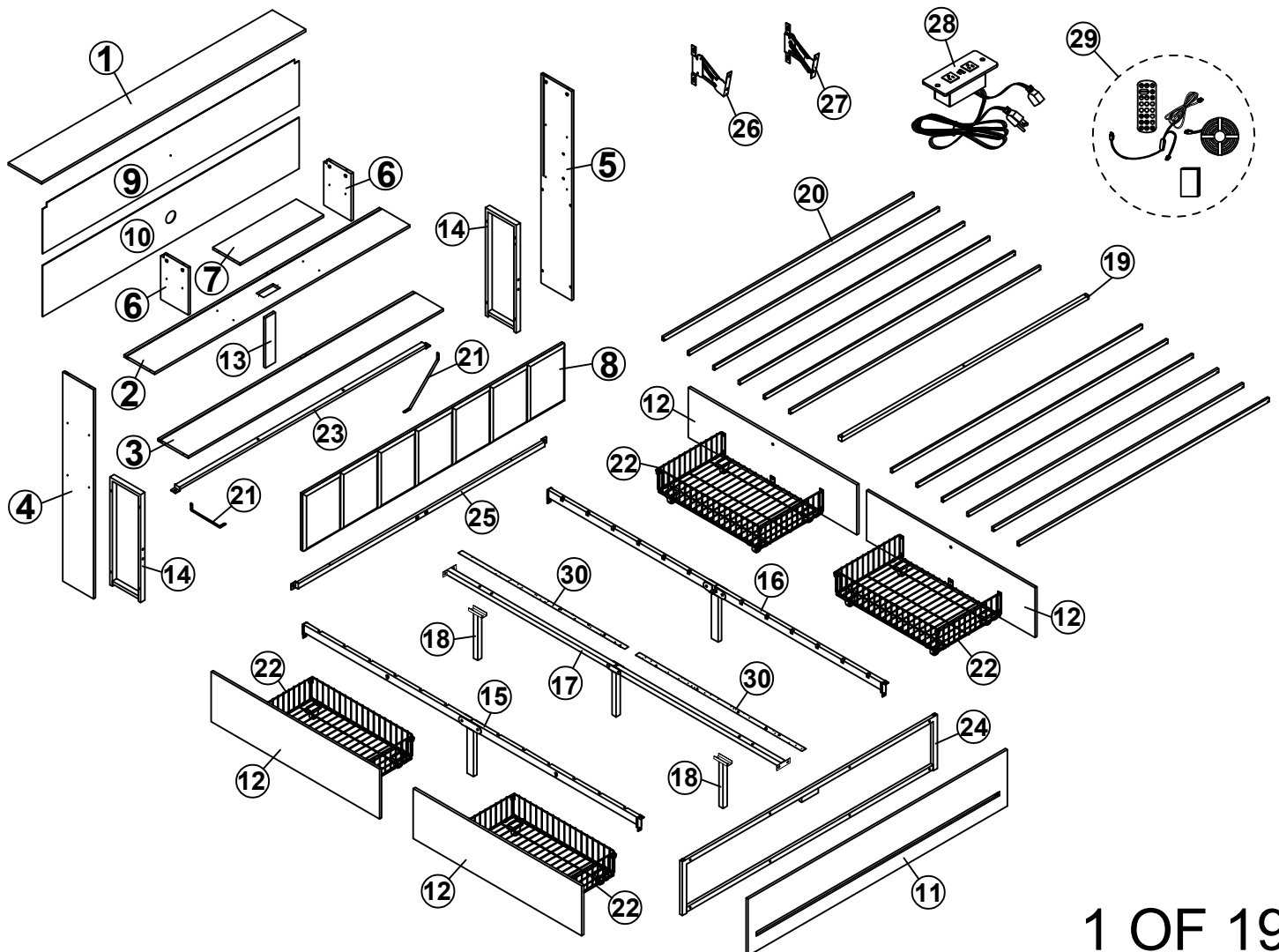
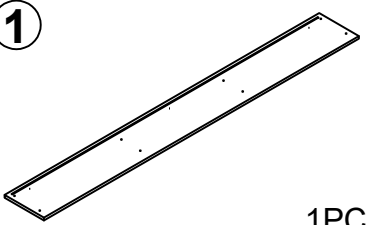
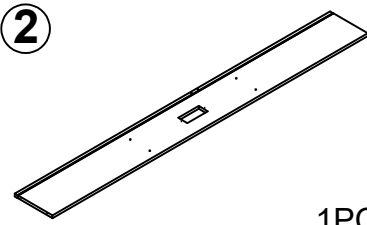
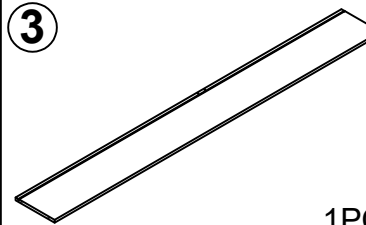


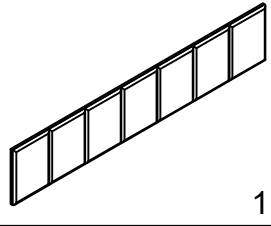
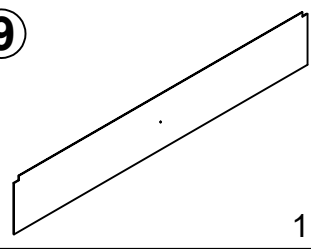
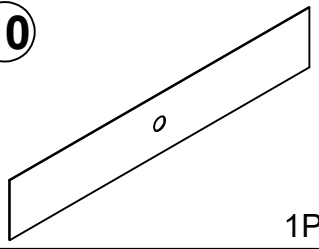
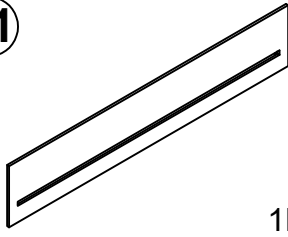
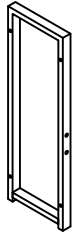

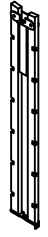

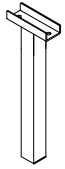
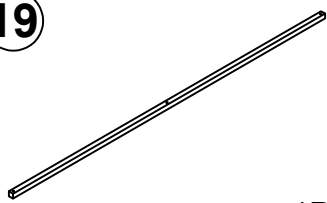
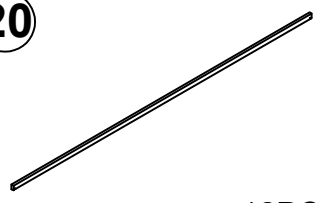
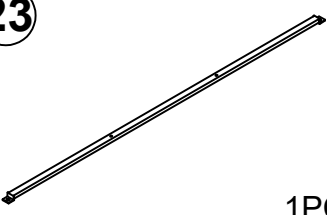
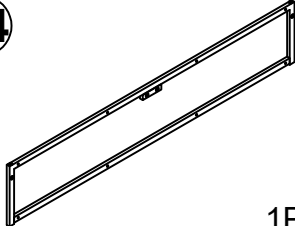
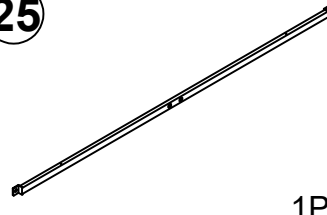


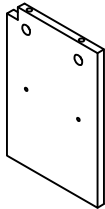
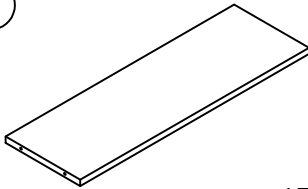
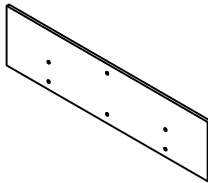


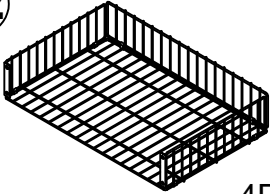
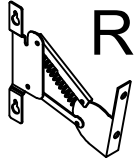
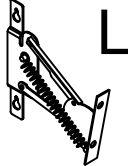
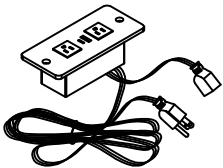
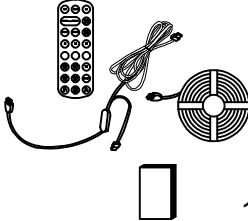
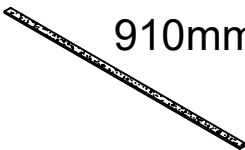
Note:
Should be assembled on flat ground to keep balance.
It needs at least two people to install.
Before starting the assembly, you must read the whole manual and follow the instructions.



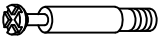

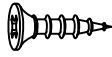


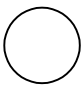
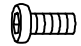
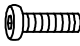
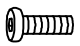
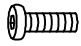
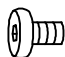

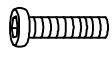
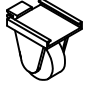

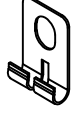
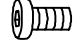
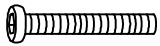

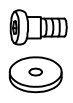
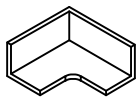

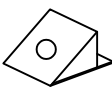


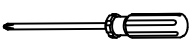
Part list for A box

| | | | |
|--|---|--|--|
| 1  1PC | 2  1PC | 3  1PC | 4  1PC |
| 5  1PC | 8  1PC | 9  1PC | 10  1PC |
| 11  1PC | 14  2PCS | 15  1PC | 16  1PC |
| 17  1PC | 18  2PCS | 19  1PC | 20  12PCS |
| 23  1PC | 24  1PC | 25  1PC | |



Part list for B box

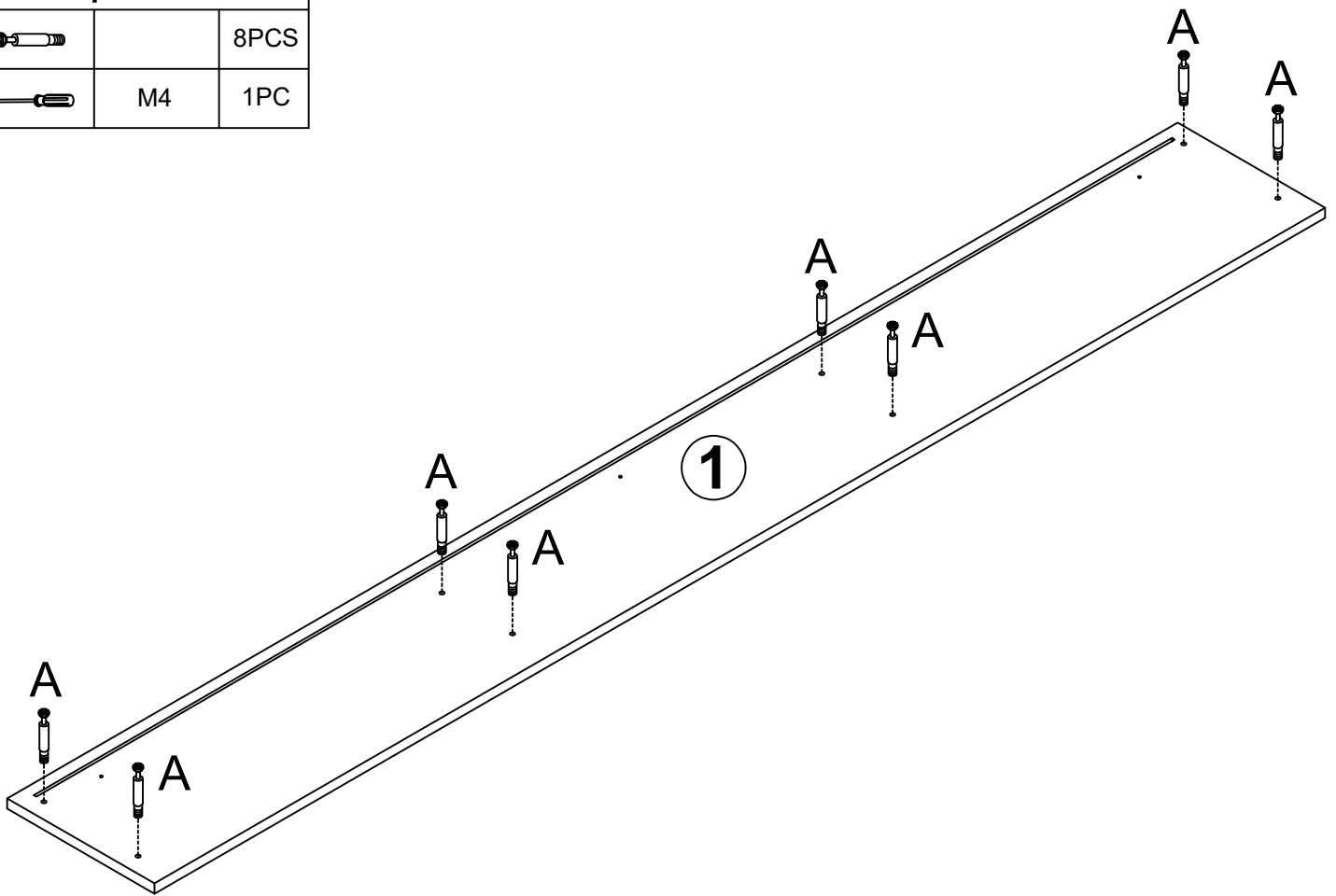
| | | | |
|--|--|--|---|
| <p>6</p>  <p>2PCS</p> | <p>7</p>  <p>1PC</p> | <p>12</p>  <p>4PCS</p> | <p>13</p>  <p>1PC</p> |
| <p>21</p>  <p>2PCS</p> | <p>22</p>  <p>4PCS</p> | <p>26</p>  <p>1PC</p> | <p>27</p>  <p>1PC</p> |
| <p>28</p>  <p>1PC</p> | <p>29</p>  <p>1PC</p> | <p>30</p>  <p>910mm</p> <p>2PCS</p> | |

Hardware list for B box

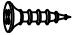


| | | | | |
|--|--|--|--|--|
| <p>A</p>  <p>8+1PCS</p> | <p>B</p>  <p>8+1PCS</p> | <p>C M3.5x12</p>  <p>13+1PCS</p> | <p>D</p>  <p>3+1PCS</p> | <p>E M5x40</p>  <p>21+2PCS</p> |
| <p>F</p>  <p>8+1PCS</p> | <p>G M8x16</p>  <p>12+1PCS</p> | <p>H M6x32</p>  <p>10+1PCS</p> | <p>I M6x22</p>  <p>10+1PCS</p> | <p>J M8x25</p>  <p>2+1PCS</p> |
| <p>K M6x10</p>  <p>30+3PCS</p> | <p>L M6x15</p>  <p>2+1PCS</p> | <p>M M8x35</p>  <p>4+1PCS</p> | <p>N</p>  <p>16PCS</p> | <p>O</p>  <p>8PCS</p> |
| <p>P</p>  <p>4PCS</p> | <p>Q M6x12</p>  <p>4+1PCS</p> | <p>R M8x55</p>  <p>1PC</p> | <p>S</p>  <p>24+4PCS</p> | <p>T</p>  <p>4PCS</p> |
| <p>U</p>  <p>4+1PCS</p> | <p>V</p>  <p>5PCS</p> | <p>W</p>  <p>8+1PCS</p> | <p>X</p>  <p>M4 2PCS</p> | <p>Y</p>  <p>M3 1PC</p> |
| <p>Z</p>  <p>1PC</p> | | | | |

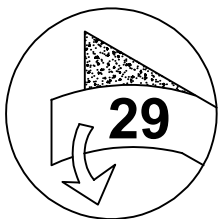
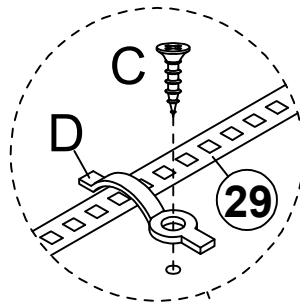
Step 1

| | | | |
|---|--|----|------|
| A |  | | 8PCS |
| Z |  | M4 | 1PC |

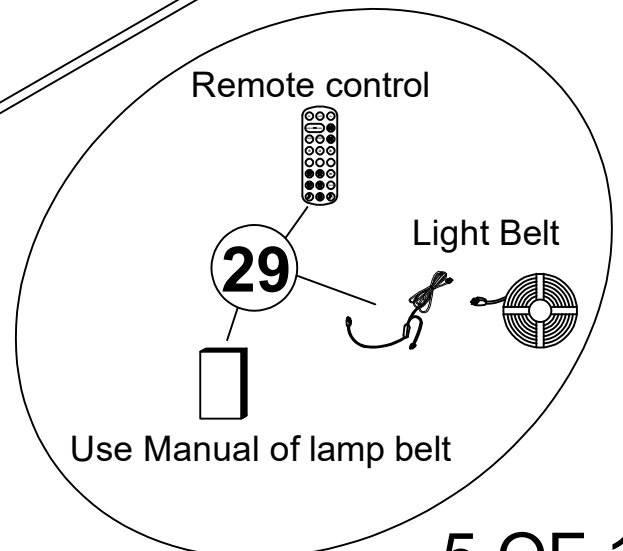
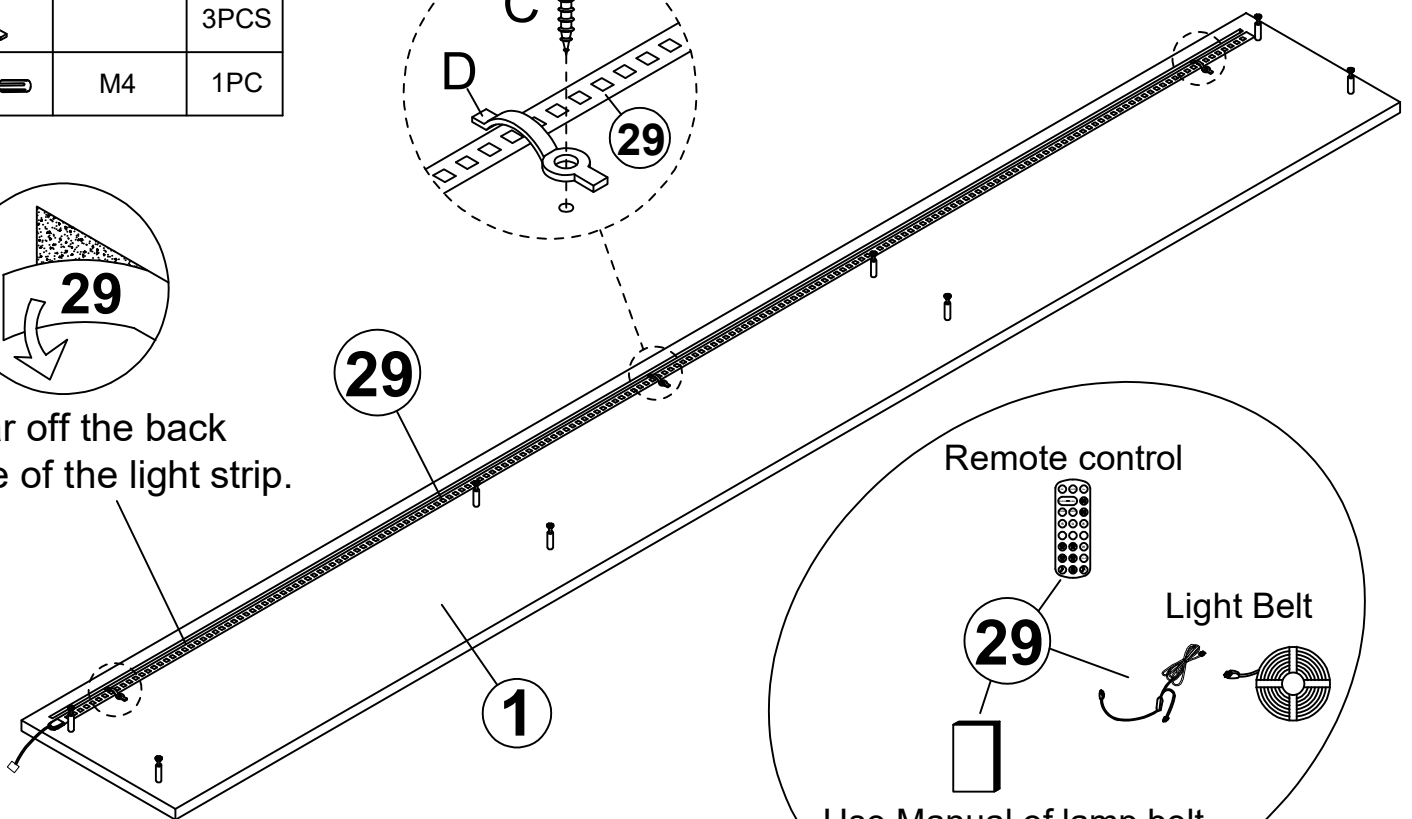


Step 2

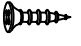

| | | | |
|---|--|---------|------|
| C |  | M3.5X12 | 3PCS |
| D |  | | 3PCS |
| Z |  | M4 | 1PC |

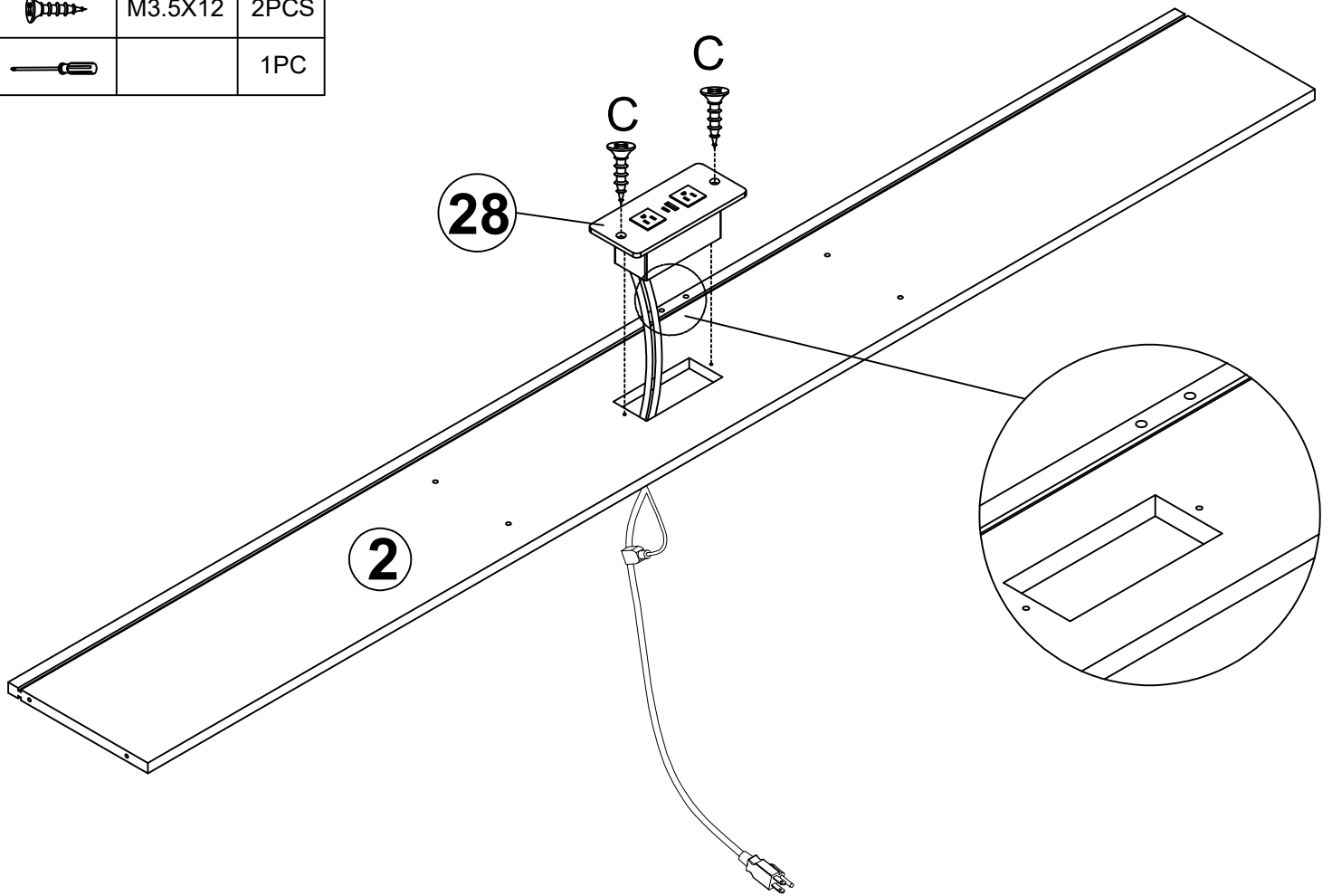


Tear off the back glue of the light strip.





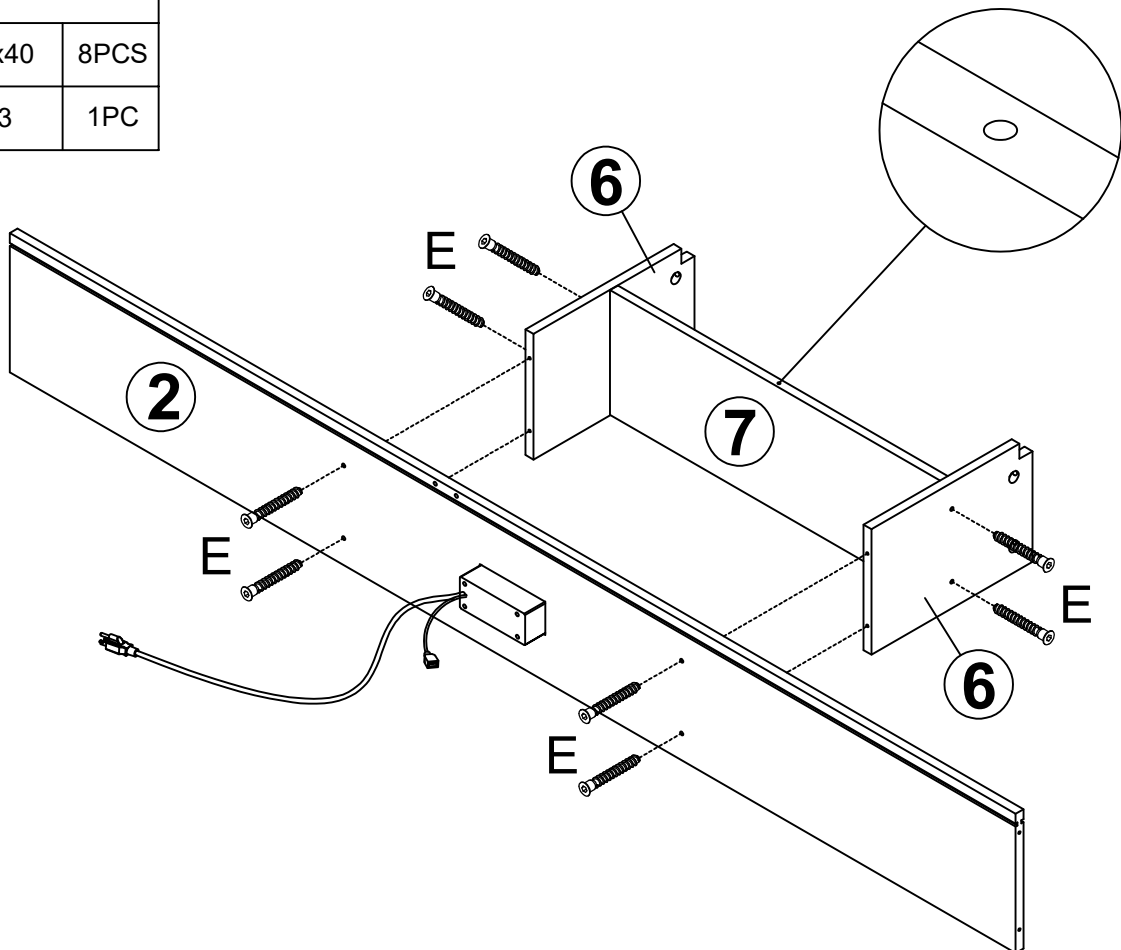
Step 3

| | | | |
|---|--|---------|------|
| C |  | M3.5X12 | 2PCS |
| Z |  | | 1PC |





Step 4

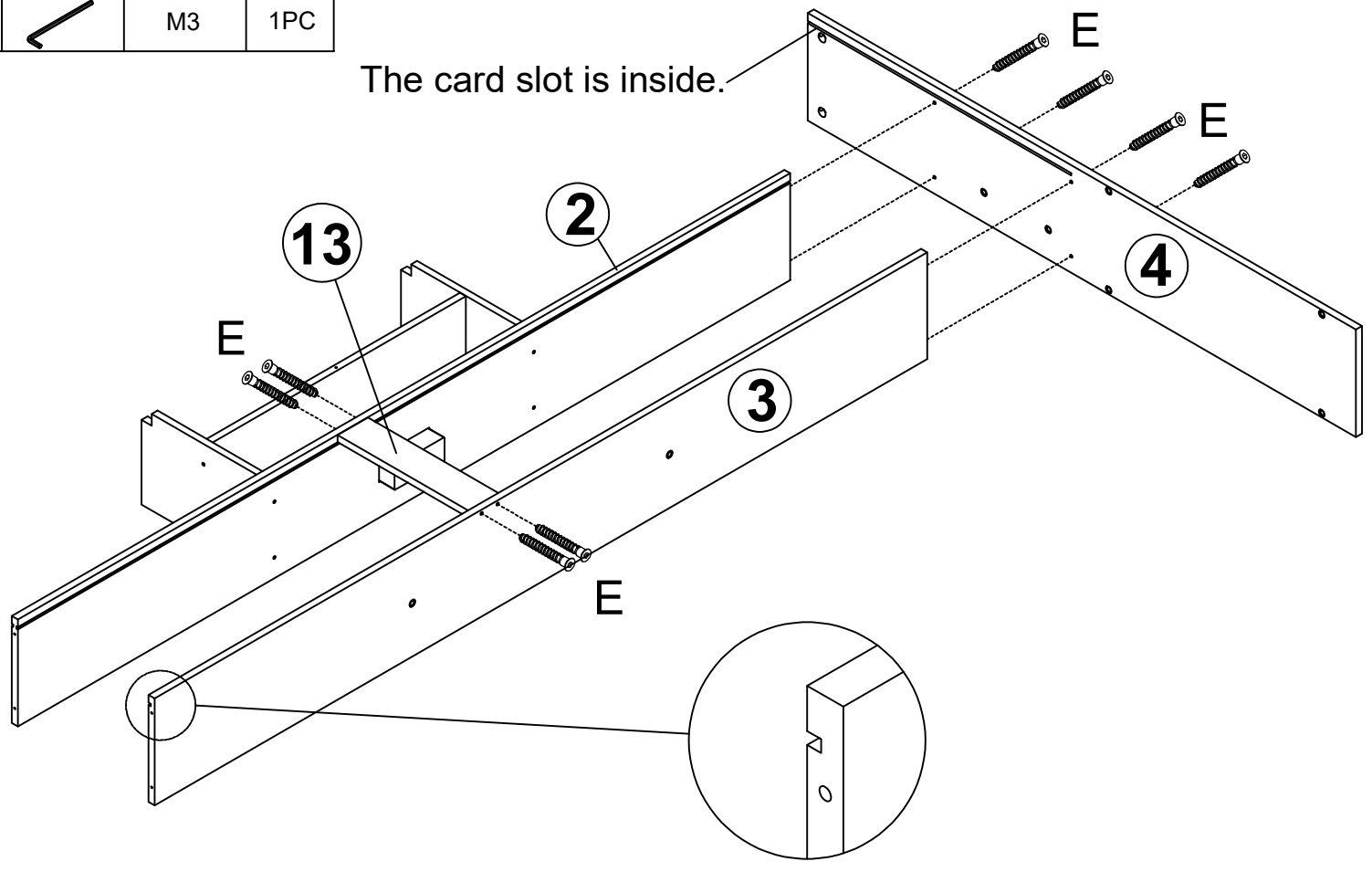
| | | | |
|---|--|-------|------|
| E |  | M5x40 | 8PCS |
| Y |  | M3 | 1PC |



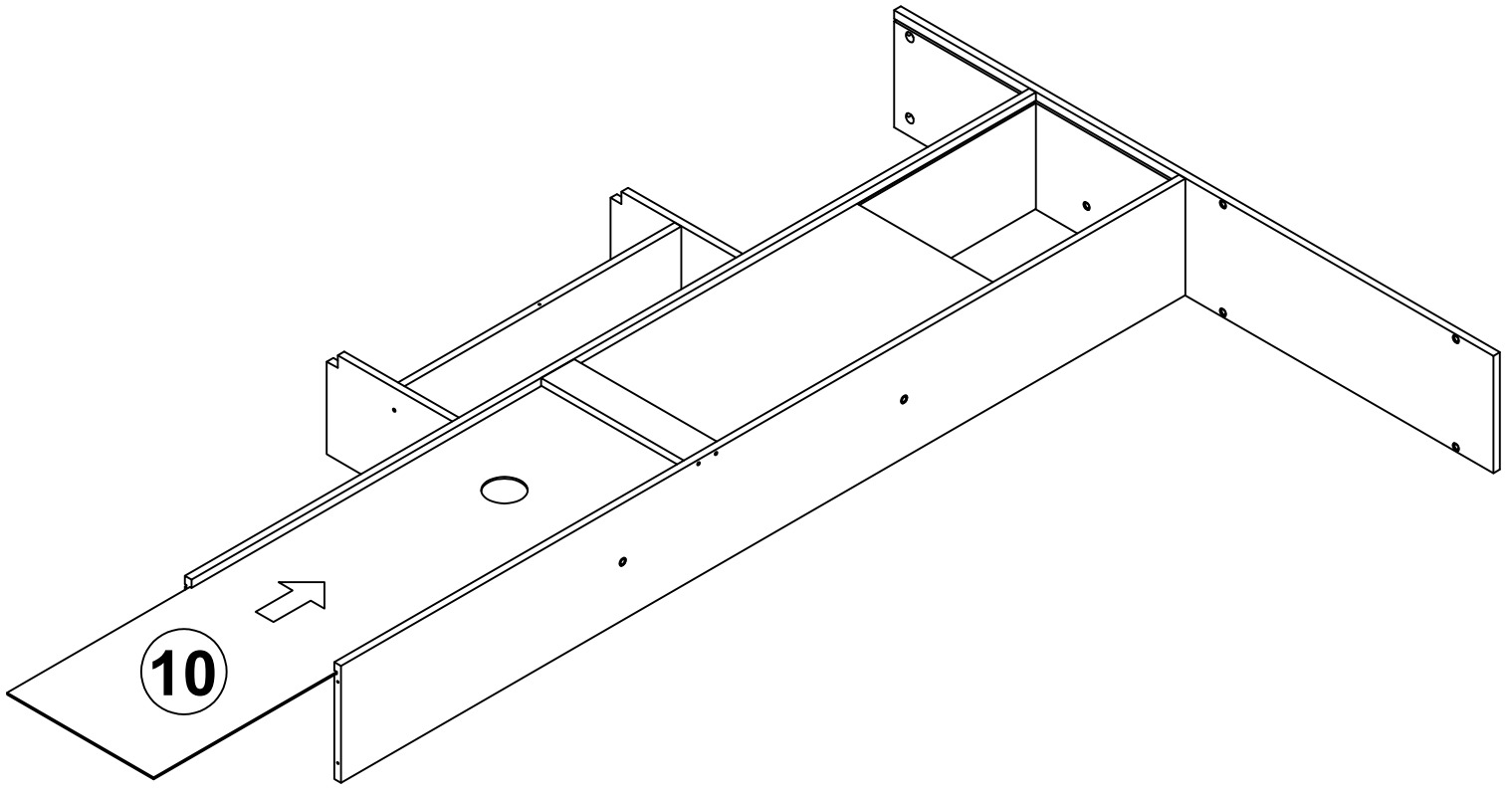
Step 5

| | | | |
|---|--|-------|------|
| E |  | M5x40 | 8PCS |
| Y |  | M3 | 1PC |



The card slot is inside.

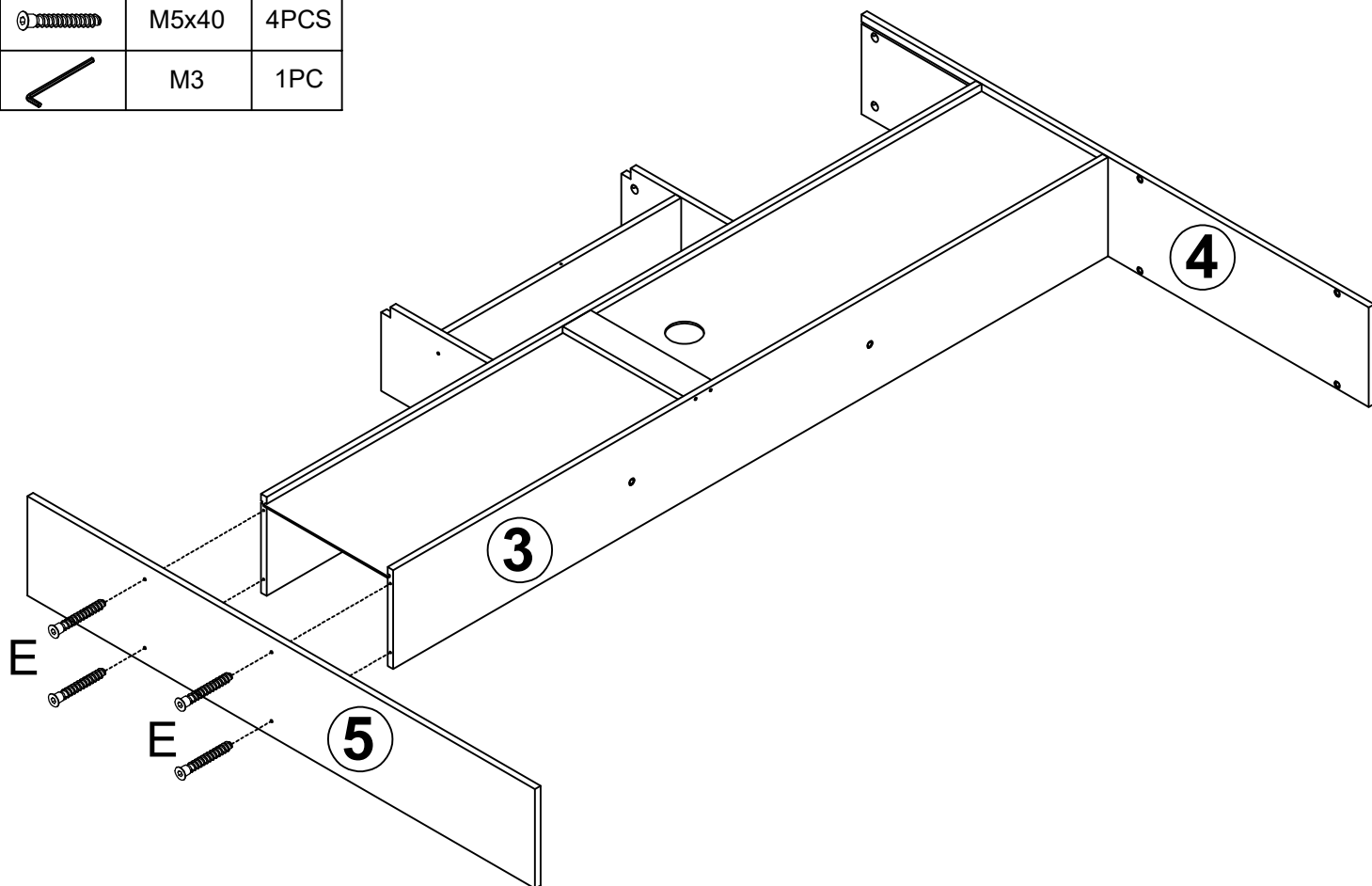


Step 6





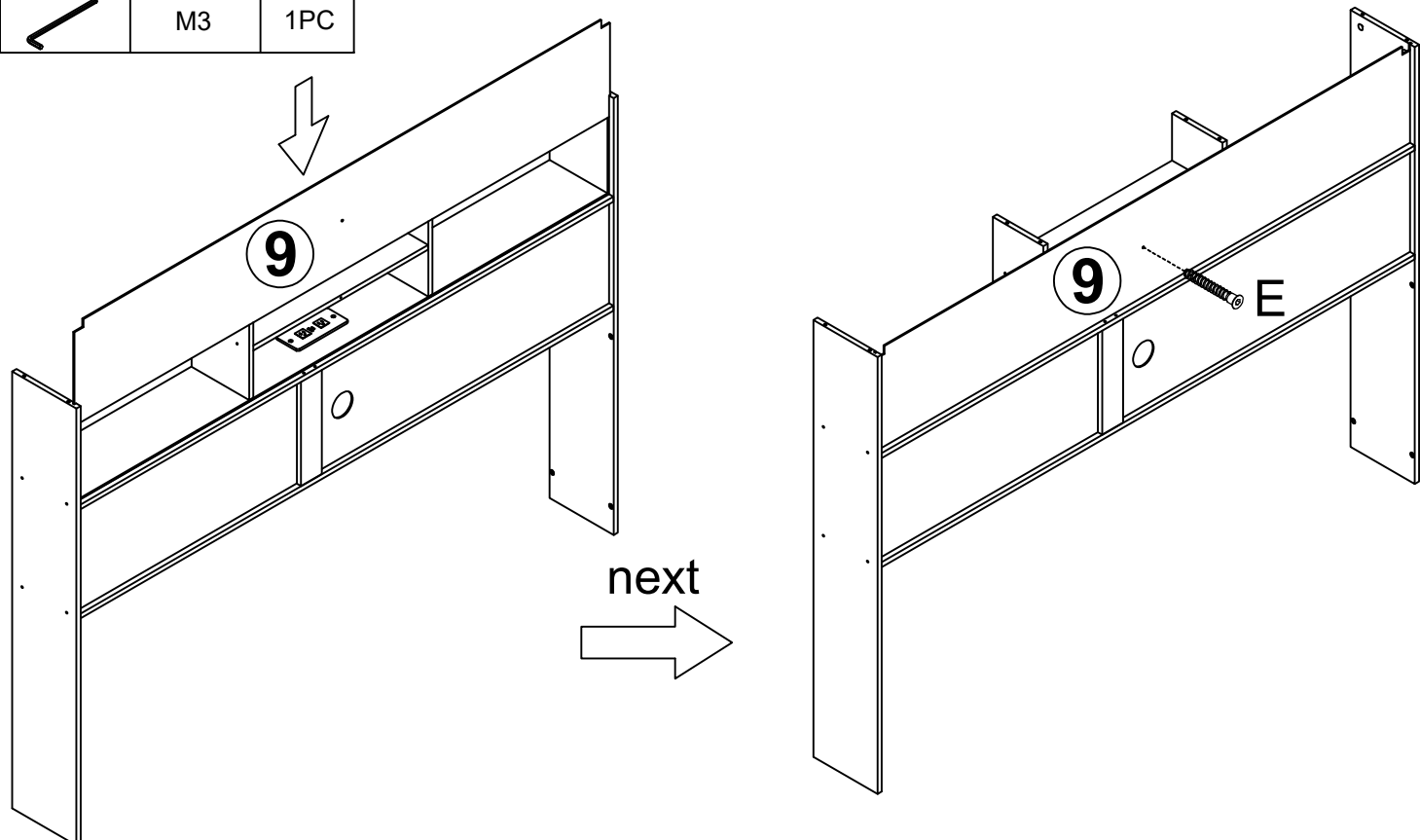
Step 7

| | | | |
|---|--|-------|------|
| E |  | M5x40 | 4PCS |
| Y |  | M3 | 1PC |






Step 8

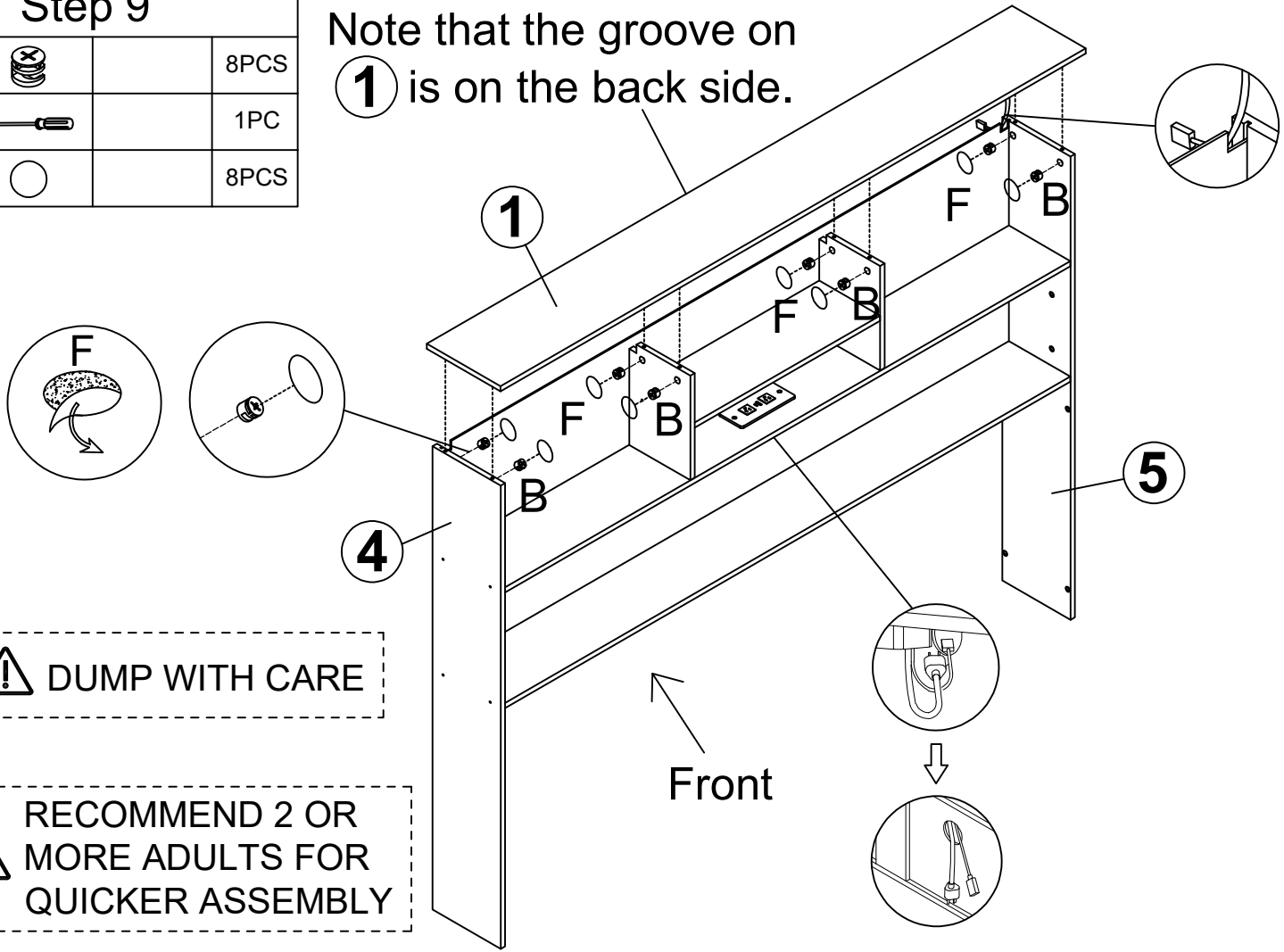
| | | | |
|---|--|-------|-----|
| E |  | M5x40 | 1PC |
| Y |  | M3 | 1PC |





Step 9

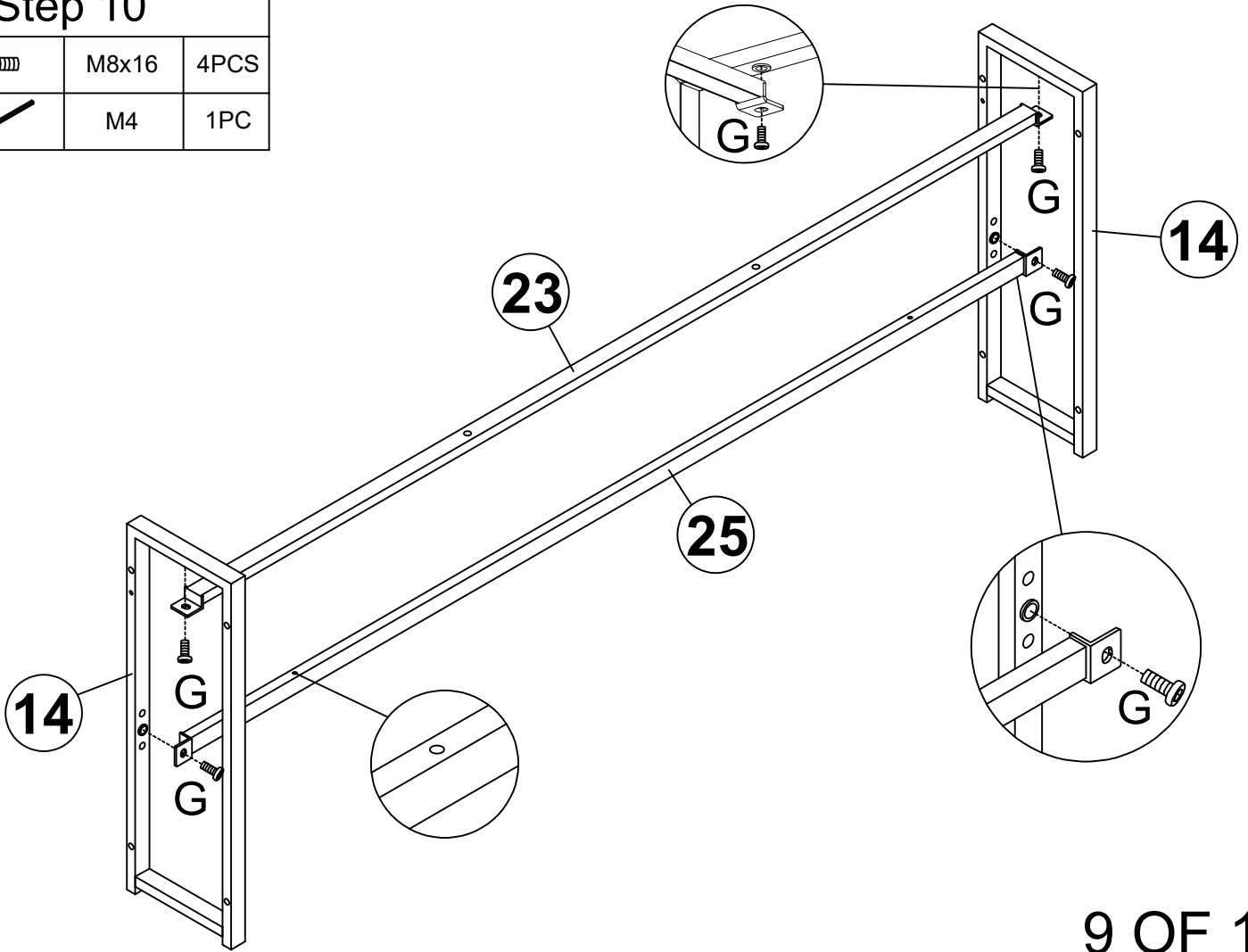
| | | | |
|---|--|--|------|
| B |  | | 8PCS |
| Z |  | | 1PC |
| F |  | | 8PCS |

Note that the groove on **1** is on the back side.

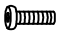




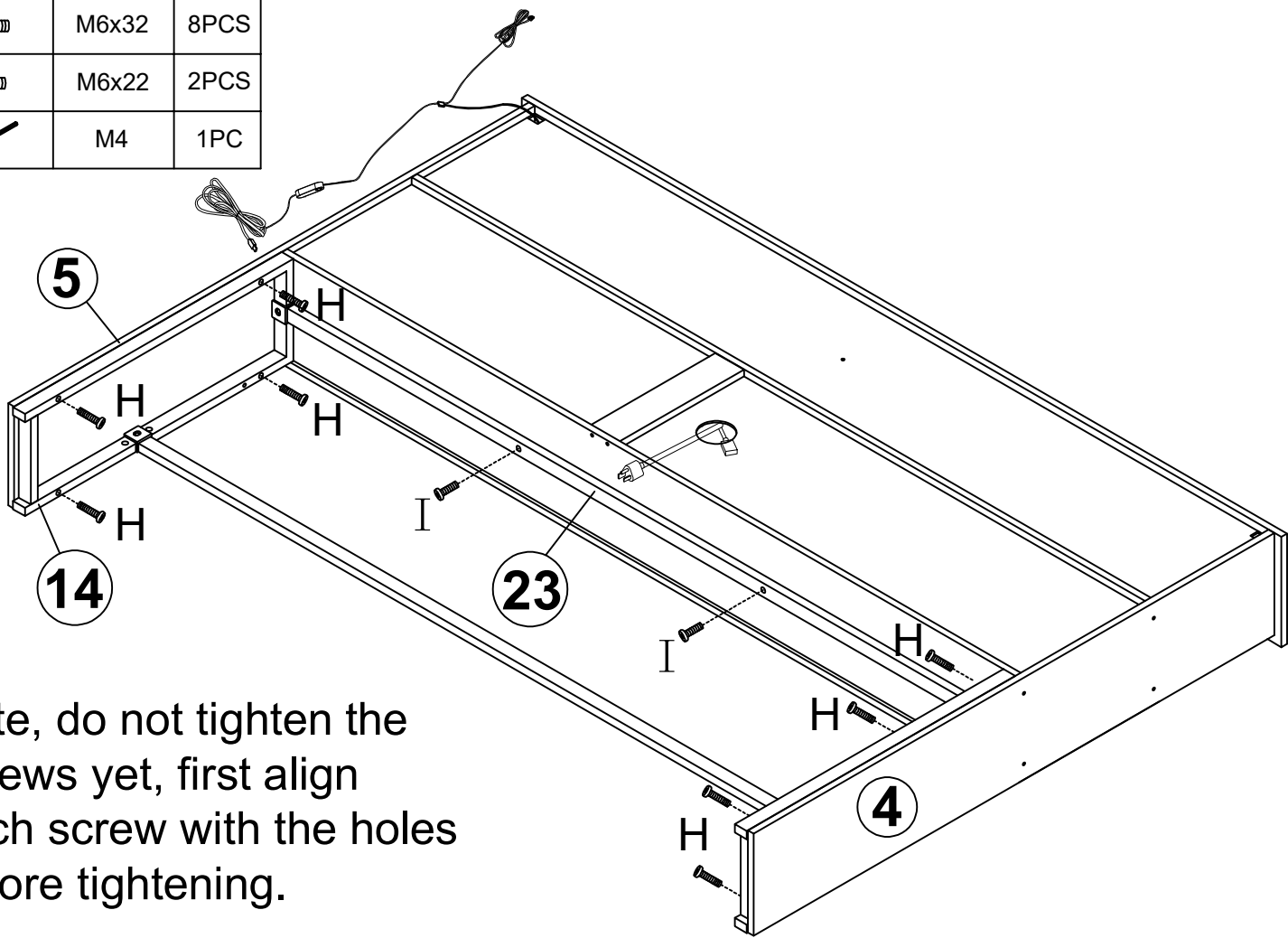
Step 10

| | | | |
|---|--|-------|------|
| G |  | M8x16 | 4PCS |
| X |  | M4 | 1PC |



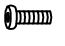


Step 11

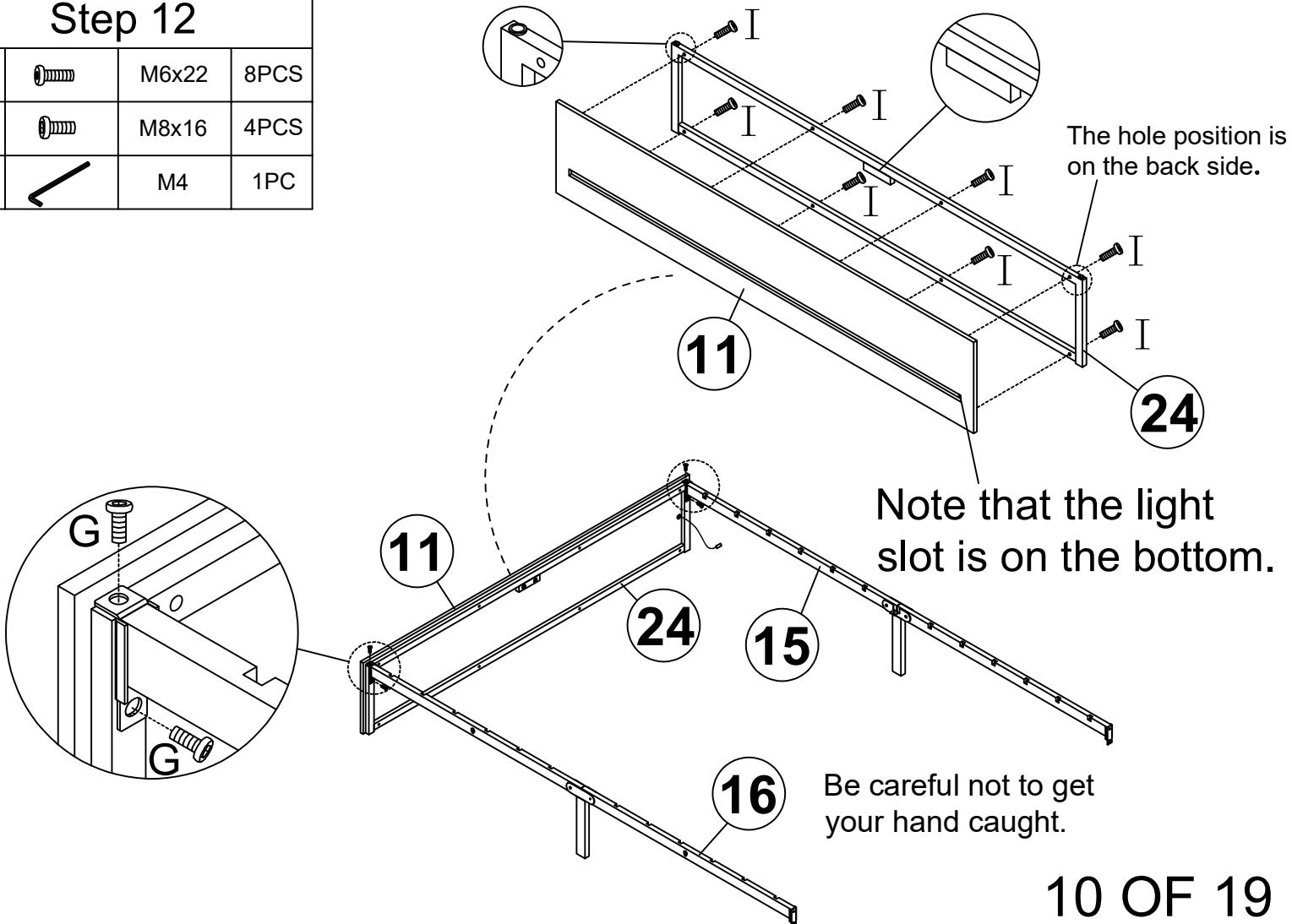
| | | | |
|---|--|-------|------|
| H |  | M6x32 | 8PCS |
| I |  | M6x22 | 2PCS |
| X |  | M4 | 1PC |




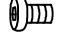


Note, do not tighten the screws yet, first align each screw with the holes before tightening.

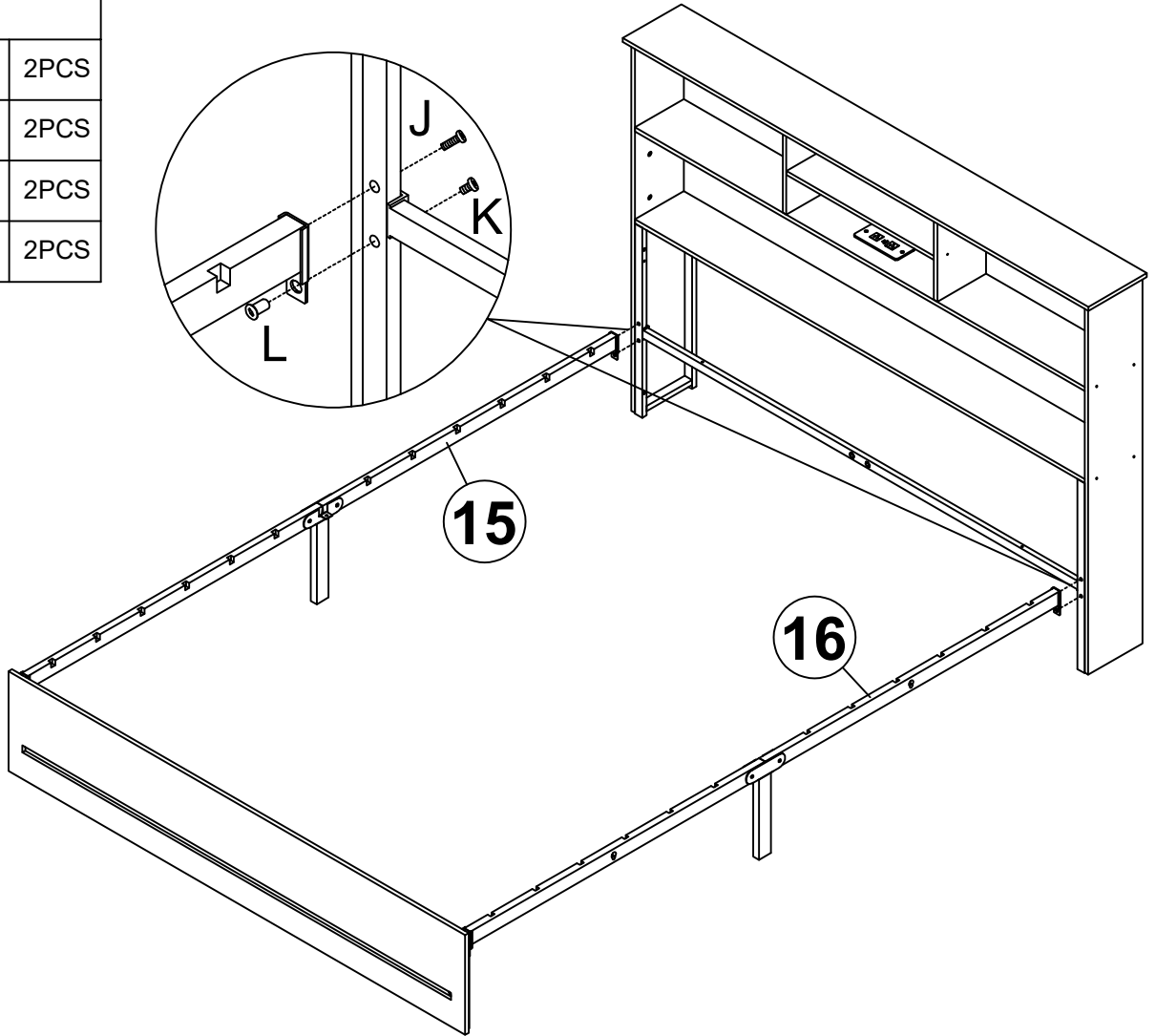
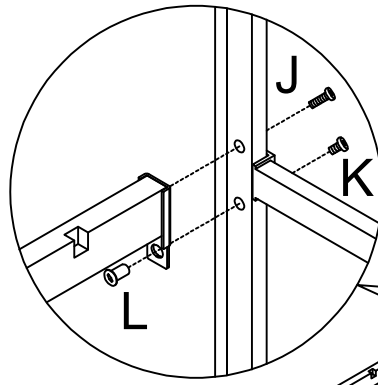
Step 12

| | | | |
|---|--|-------|------|
| I |  | M6x22 | 8PCS |
| G |  | M8x16 | 4PCS |
| X |  | M4 | 1PC |

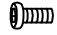
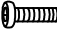



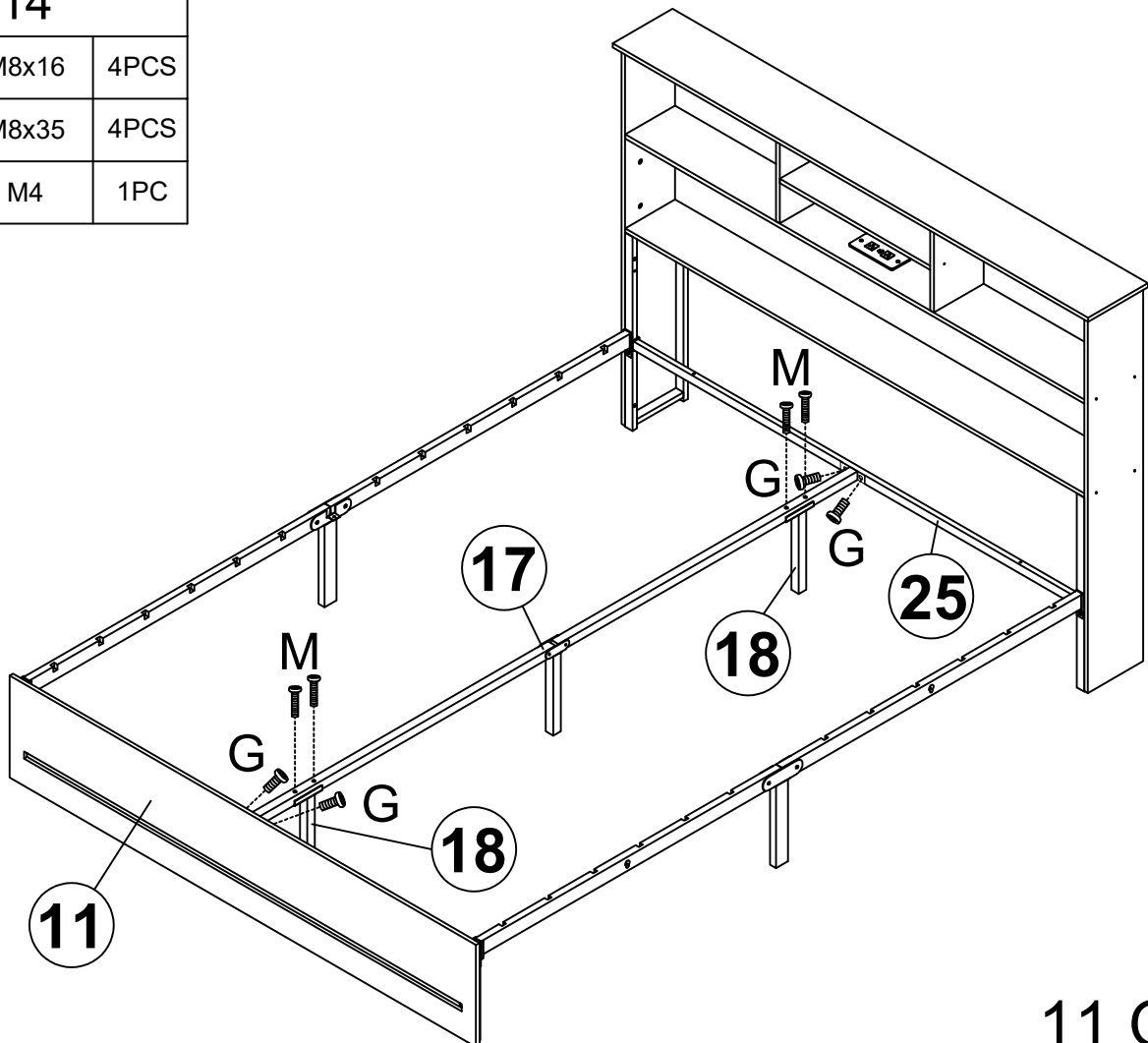
Step 13

| | | | |
|---|--|-------|------|
| J |  | M8x25 | 2PCS |
| K |  | M6x10 | 2PCS |
| L |  | M6x15 | 2PCS |
| X |  | M4 | 2PCS |


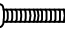



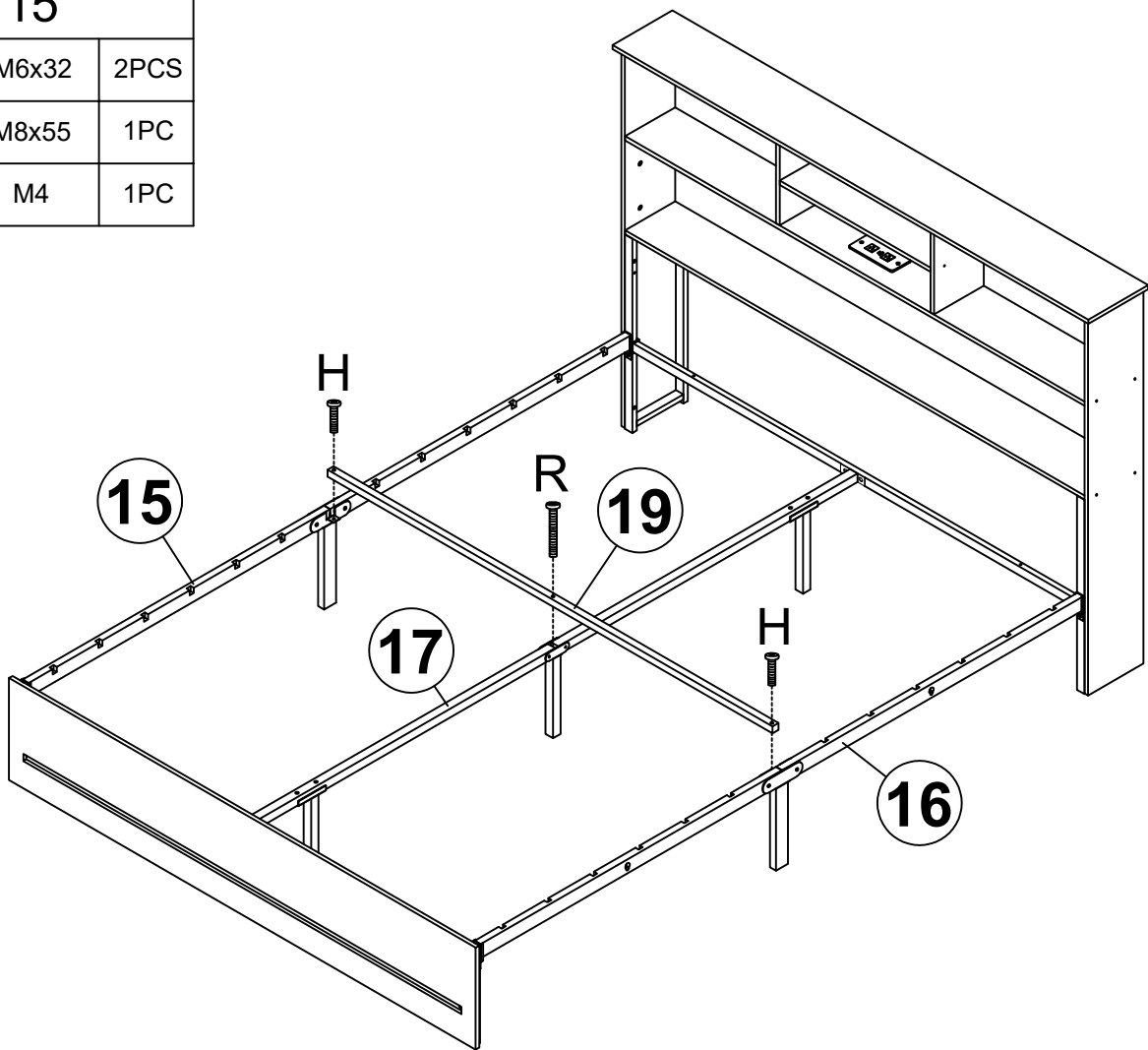
Step 14

| | | | |
|---|--|-------|------|
| G |  | M8x16 | 4PCS |
| M |  | M8x35 | 4PCS |
| X |  | M4 | 1PC |

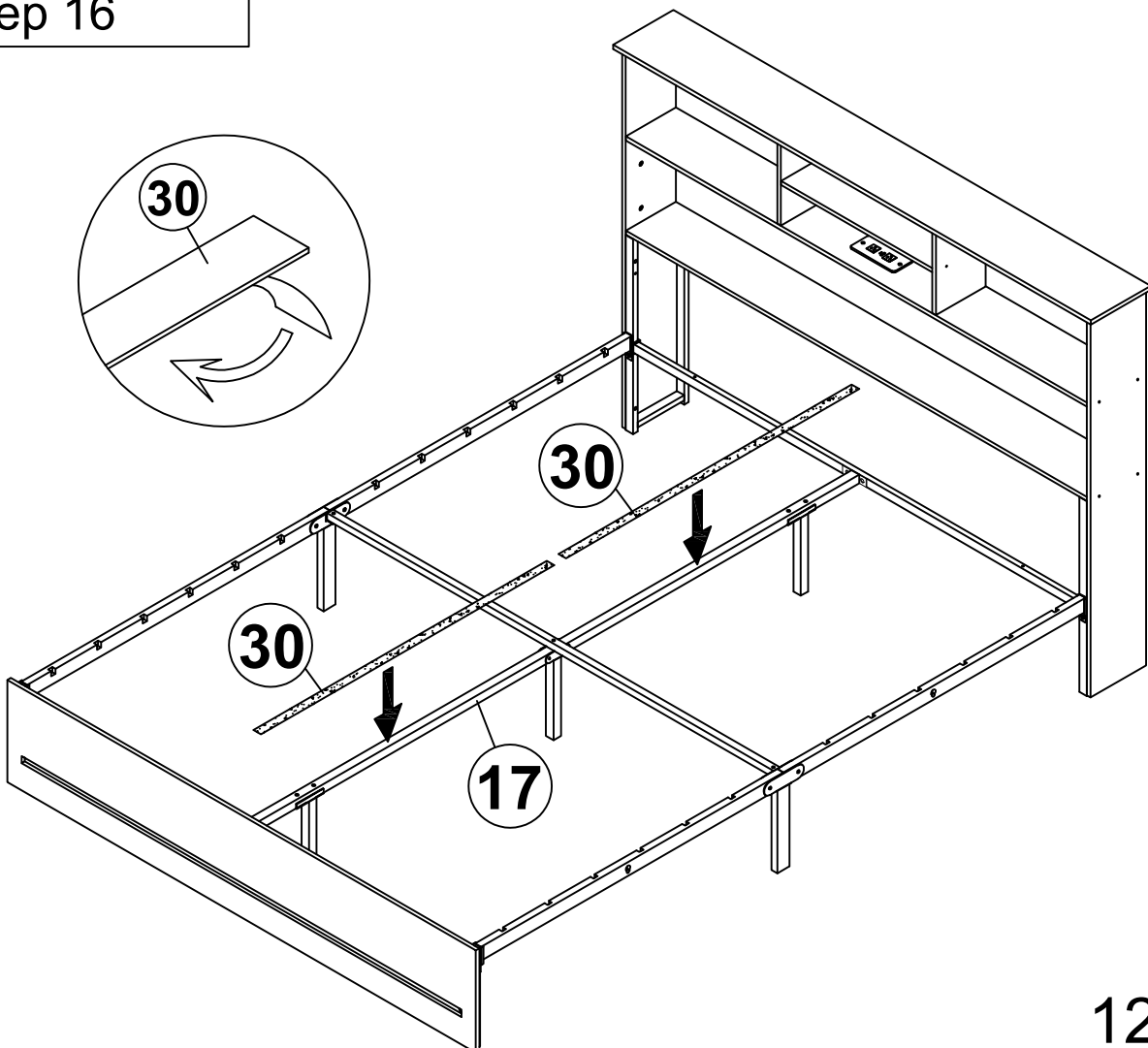


Step 15



| | | | |
|---|--|-------|------|
| H |  | M6x32 | 2PCS |
| R |  | M8x55 | 1PC |
| X |  | M4 | 1PC |

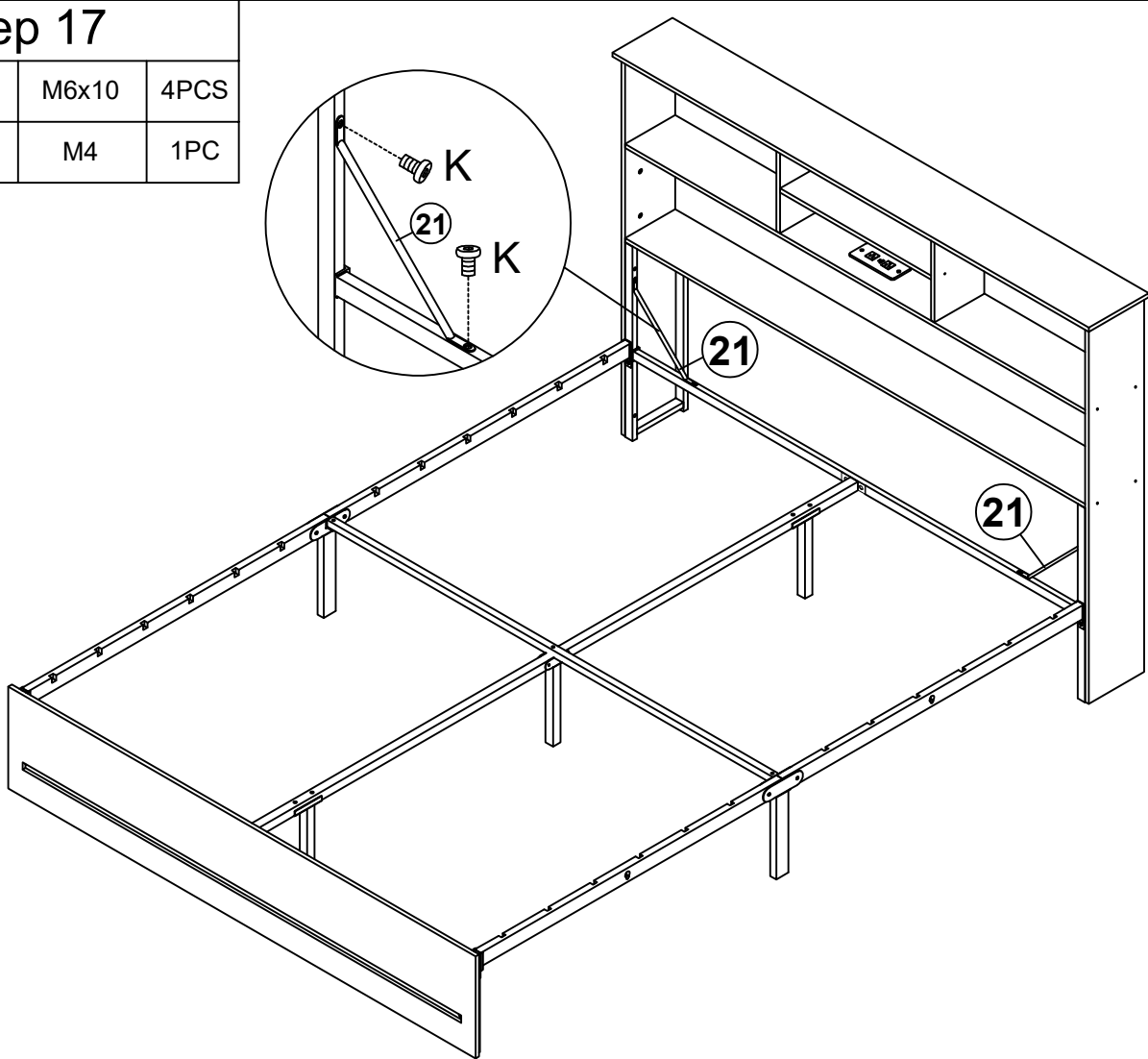


Step 16





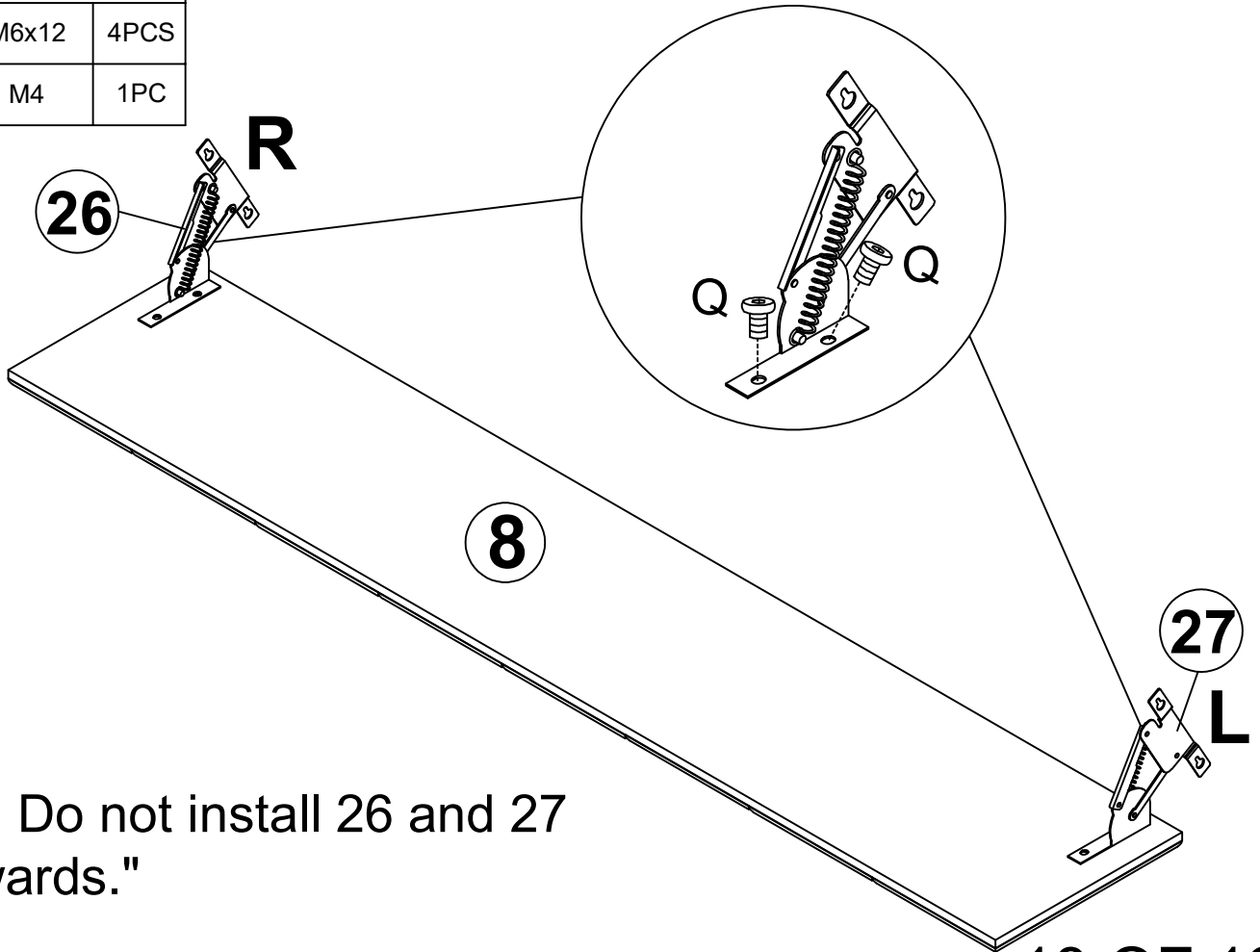
Step 17

| | | | |
|---|--|-------|------|
| K |  | M6x10 | 4PCS |
| X |  | M4 | 1PC |





Step 18

| | | | |
|---|--|-------|------|
| Q |  | M6x12 | 4PCS |
| X |  | M4 | 1PC |

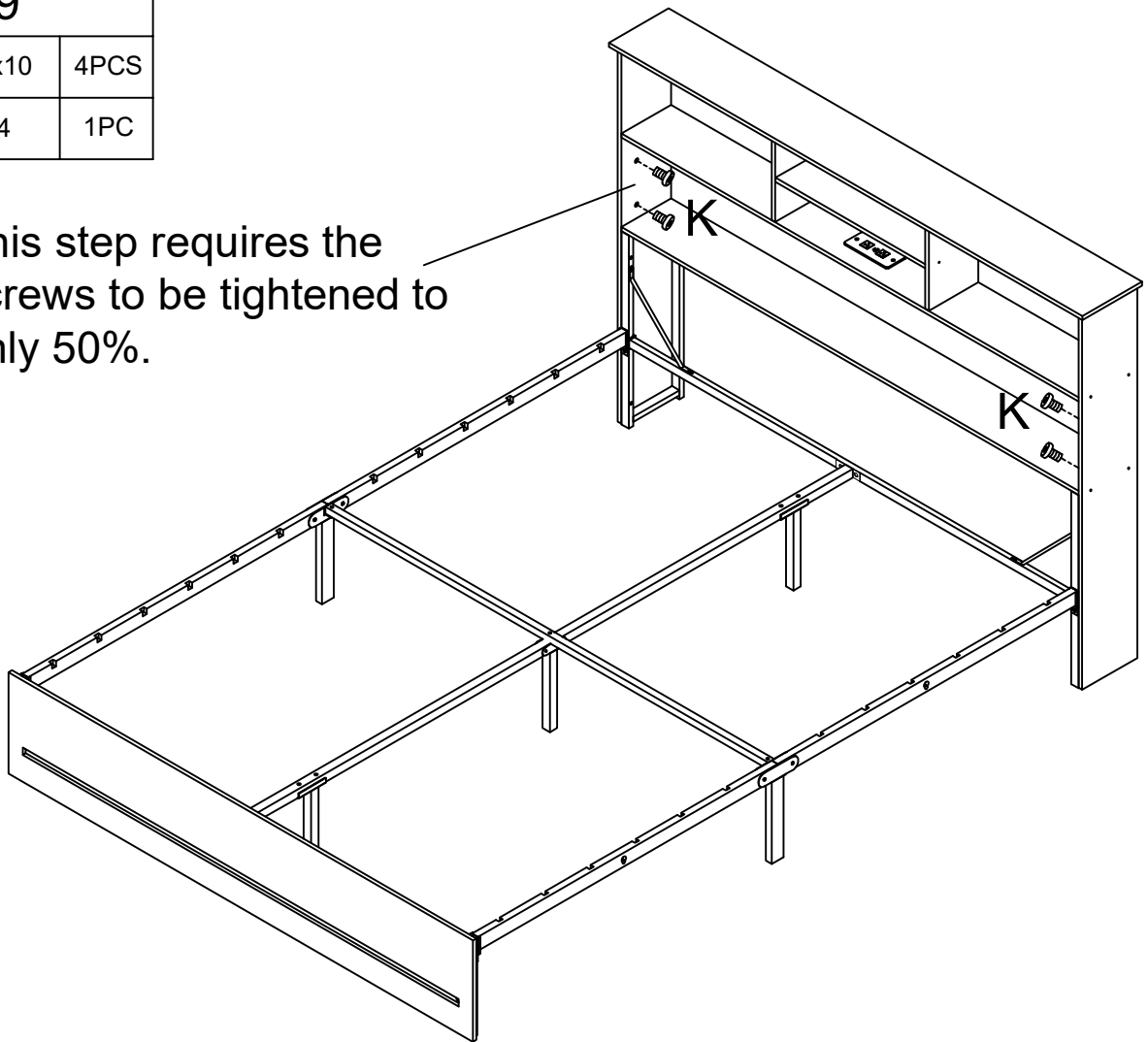


"Note: Do not install 26 and 27 backwards."

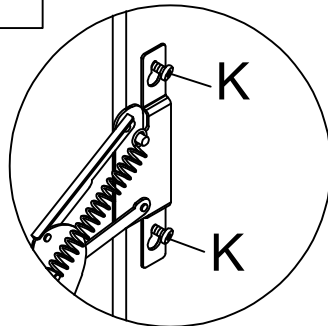
Step 19

| | | | |
|---|--|-------|------|
| K |  | M6x10 | 4PCS |
| X |  | M4 | 1PC |

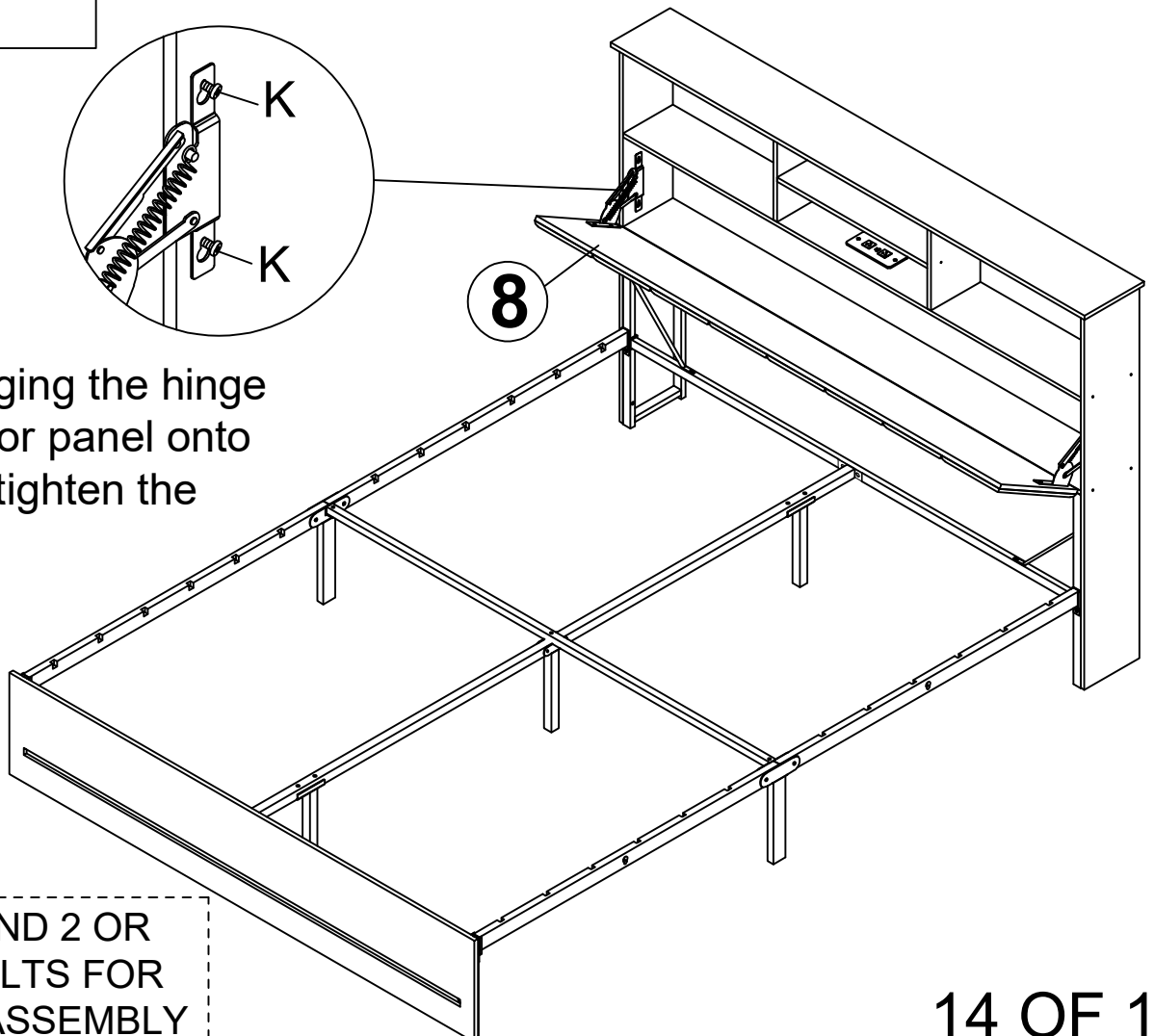
This step requires the screws to be tightened to only 50%.



Step 20




After hanging the hinge on the door panel onto screw K, tighten the screw.

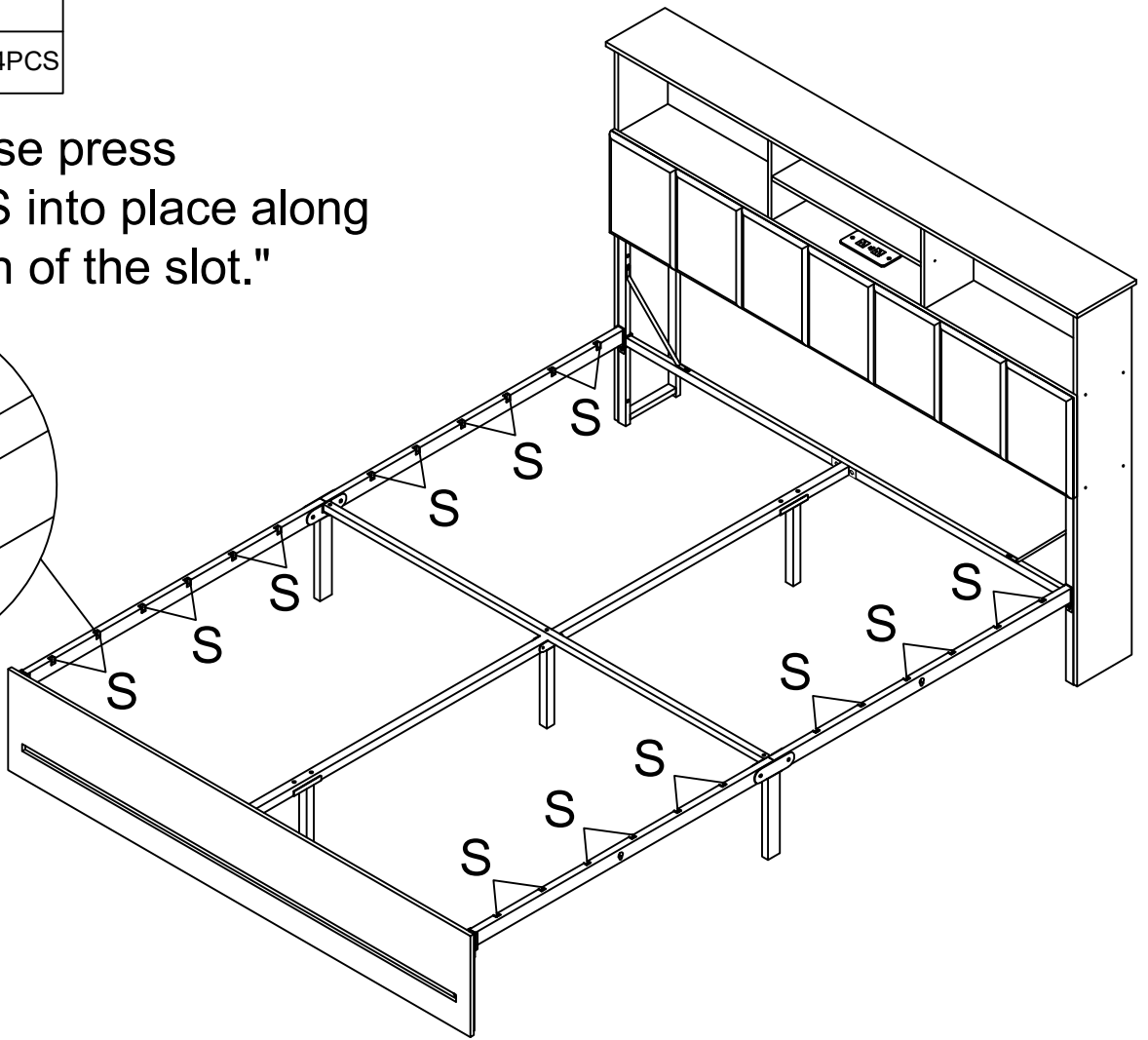
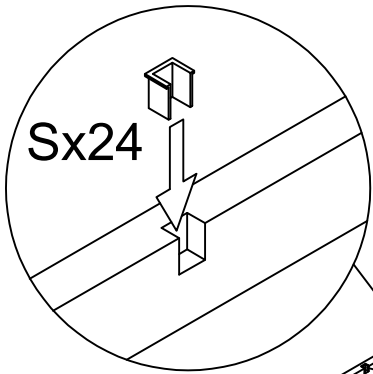


RECOMMEND 2 OR MORE ADULTS FOR QUICKER ASSEMBLY

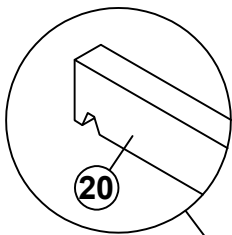
Step 21

| | | |
|---|---|-------|
| S |  | 24PCS |
|---|---|-------|

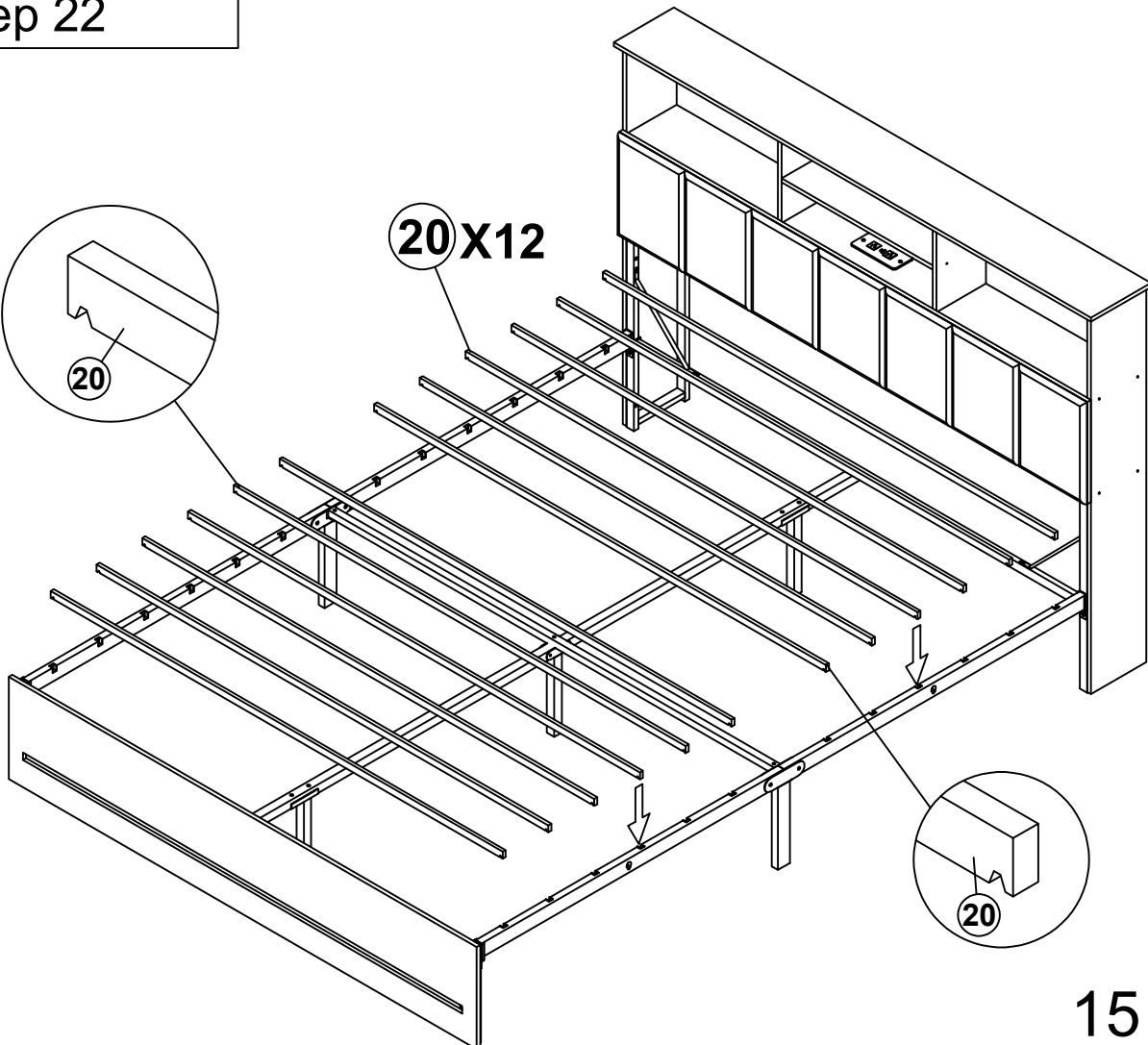
"Note: Please press accessory S into place along the direction of the slot."



Step 22

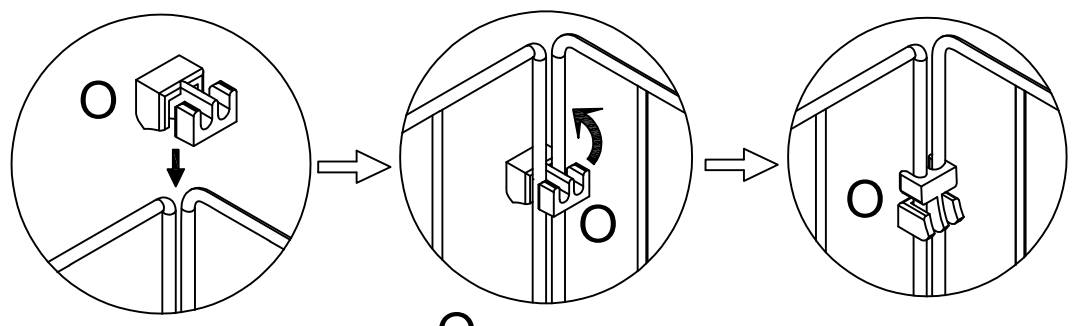


20X12

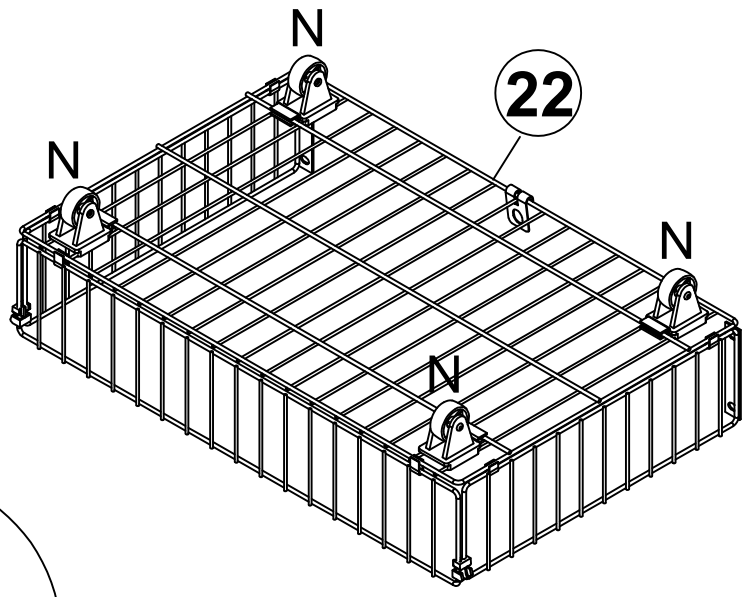
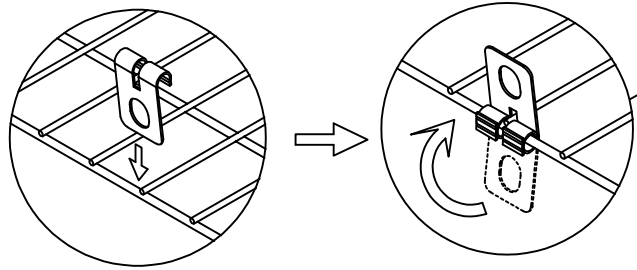
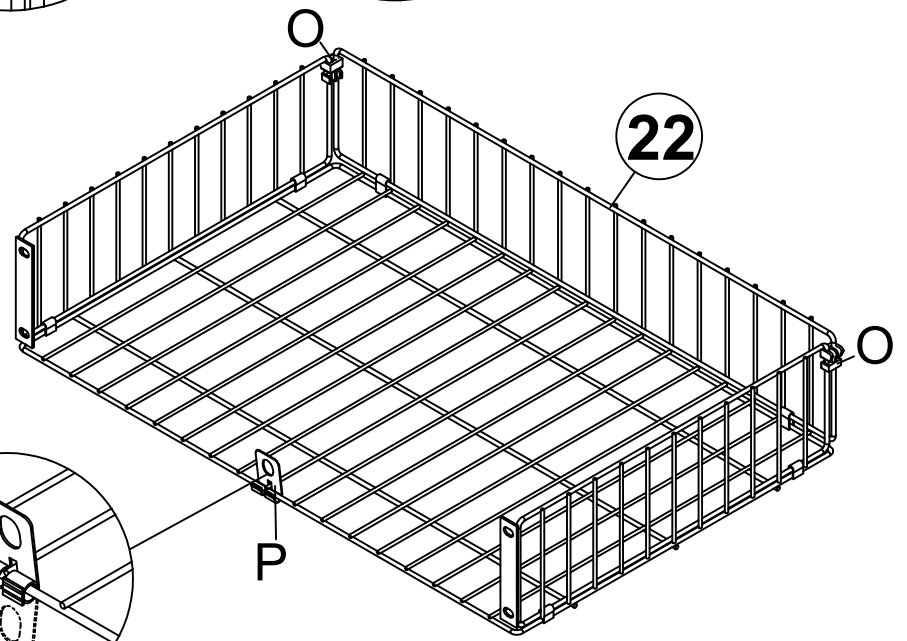


Step 23

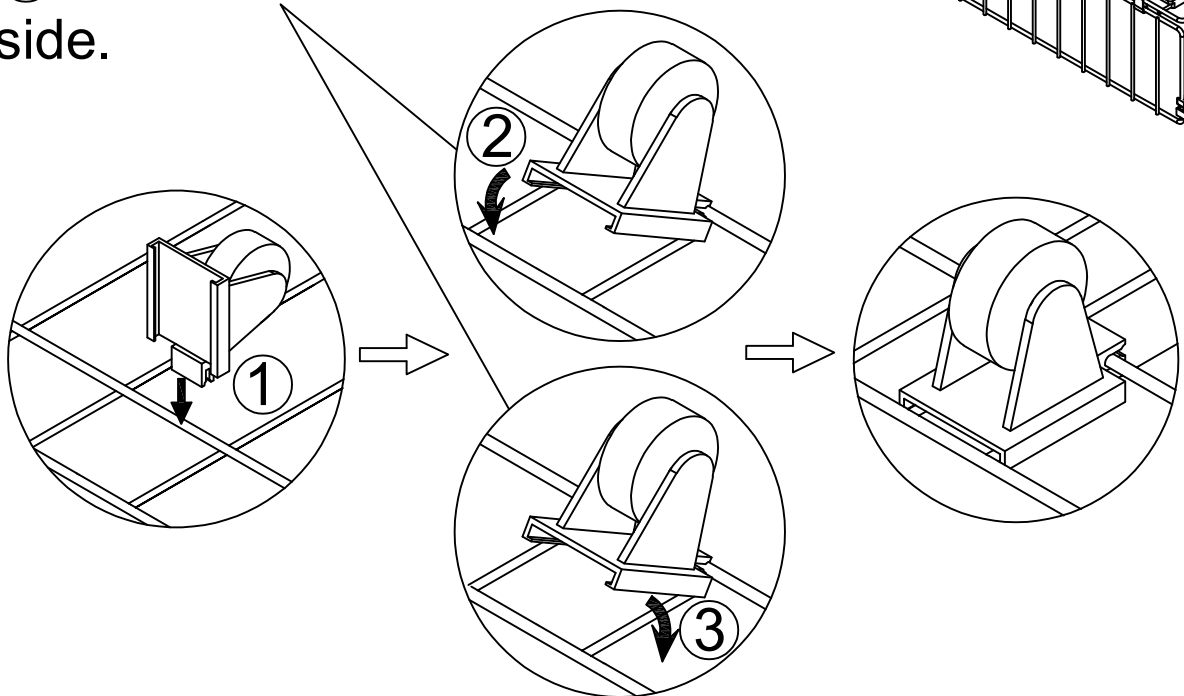
| | | | |
|---|--|--|-------|
| N | | | 16PCS |
| O | | | 8PCS |
| P | | | 4PCS |






X4



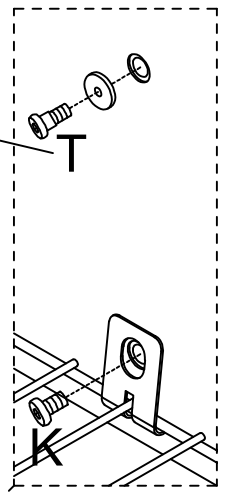
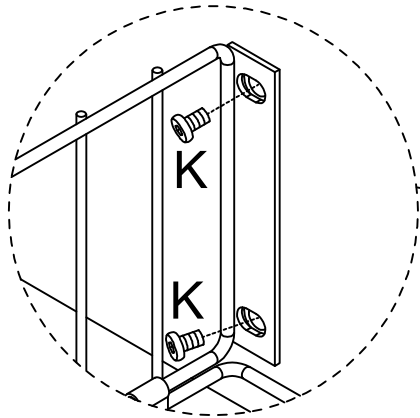
Attention: ② make sure plastic slot stuck into one side of the tube firstly, and ③ then to stuck into anther side.



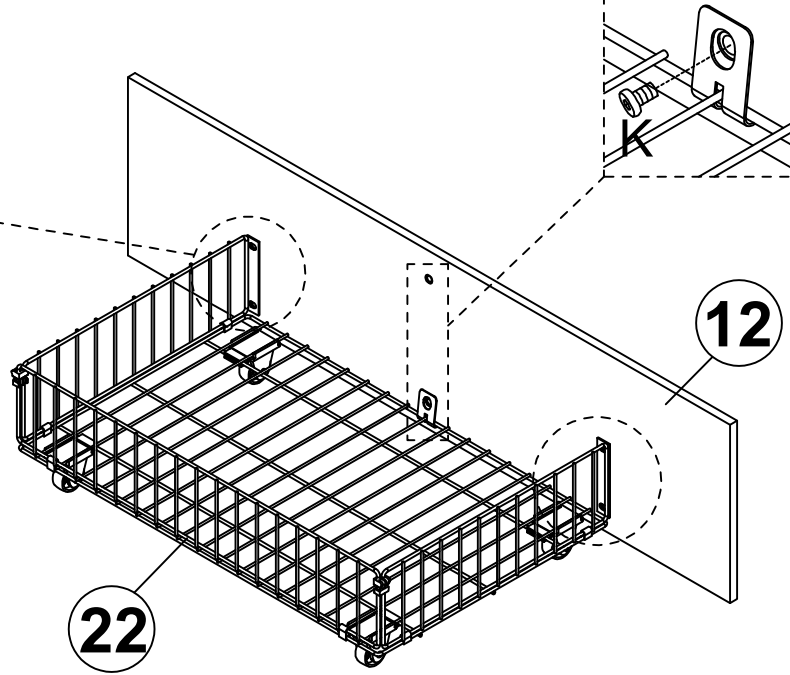
Step 24

| | | | |
|---|--|-------|-------|
| K |  | M6x10 | 20PCS |
| T |  | | 4PCS |
| X |  | M4 | 1PC |

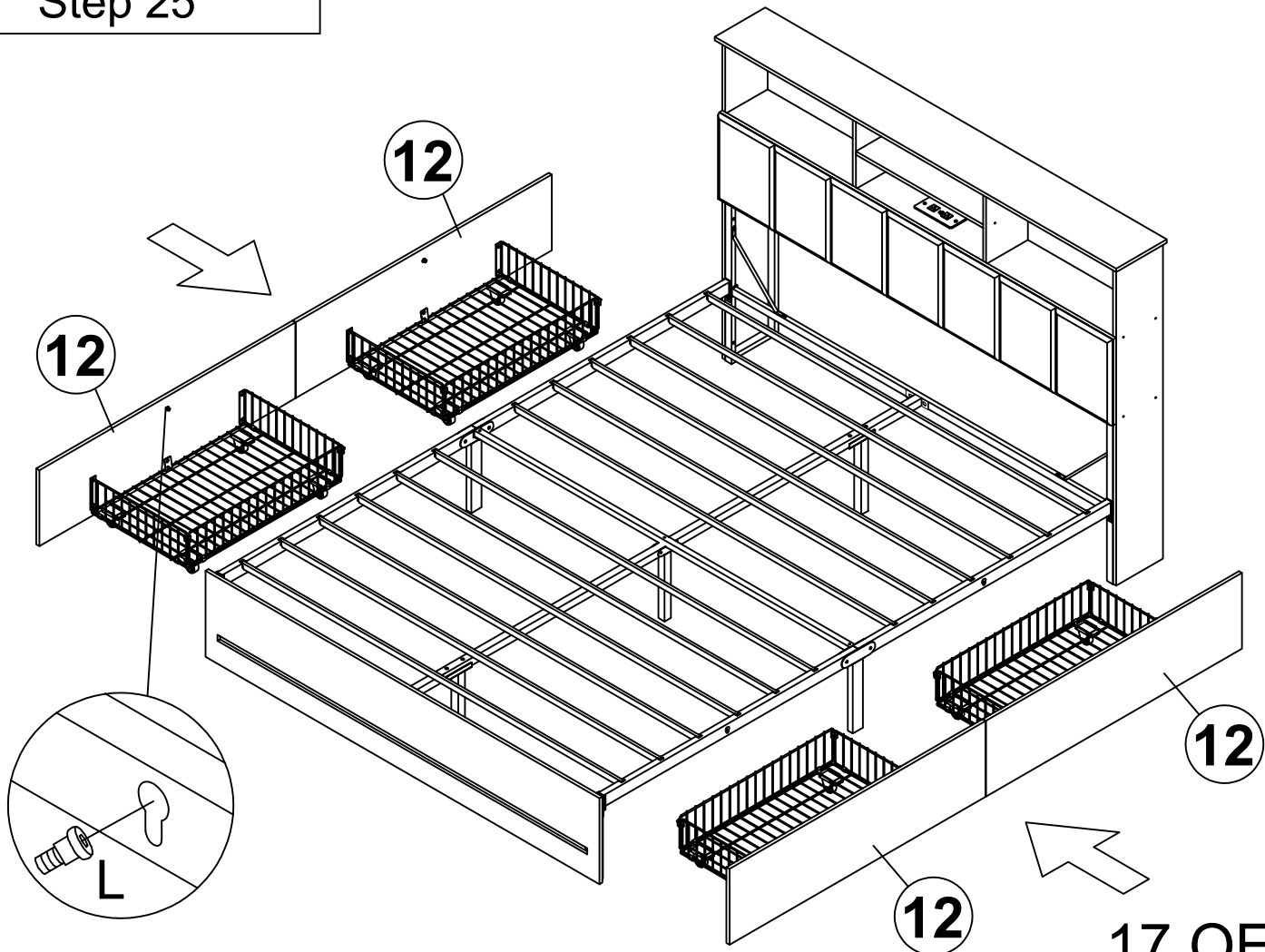
Note: Please don't fully tighten R screws to the board.




X4

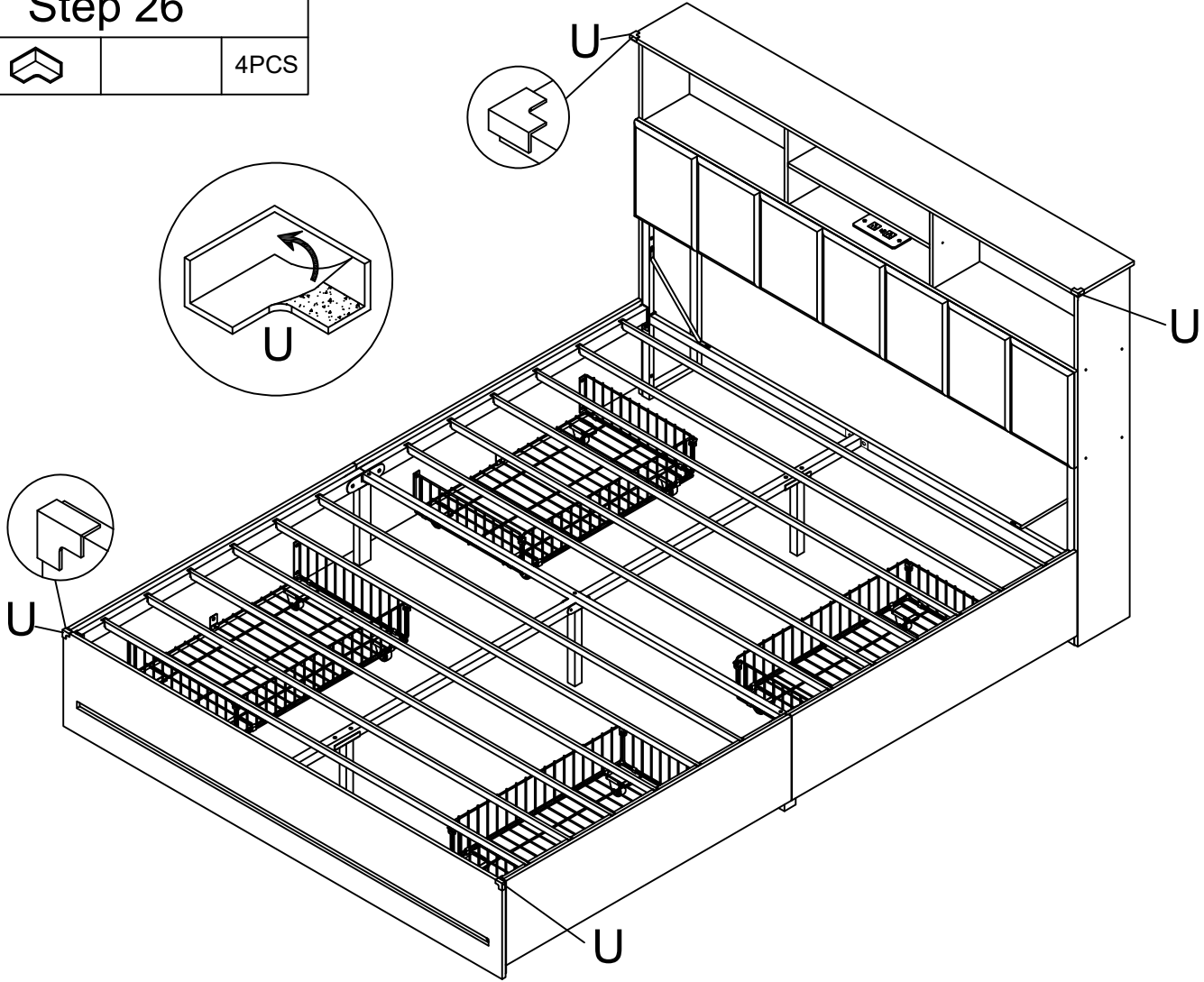


Step 25




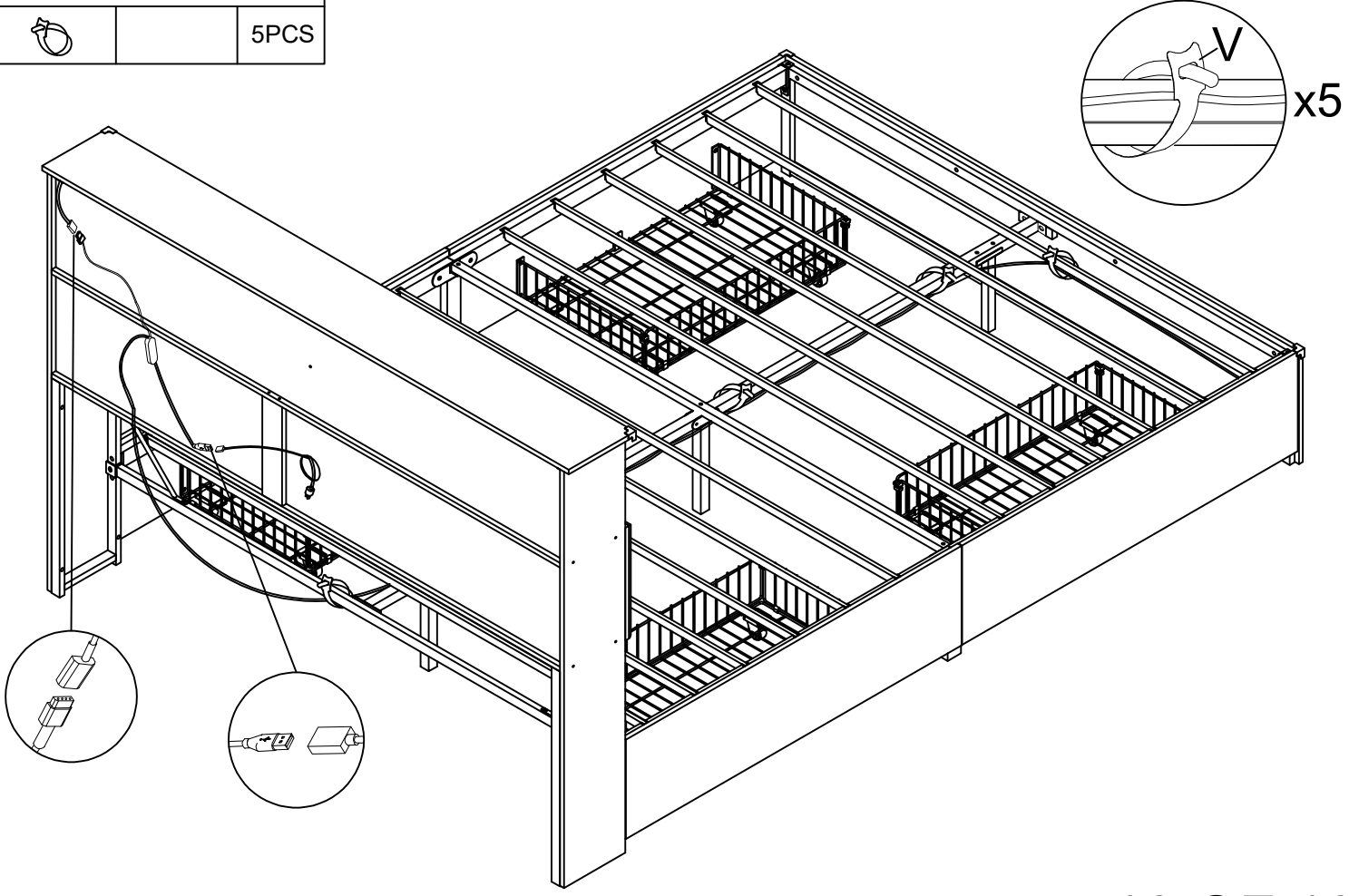
Step 26

| | | | |
|---|---|--|------|
| U |  | | 4PCS |
|---|---|--|------|

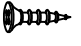




Step 27

| | | | |
|---|--|--|------|
| V |  | | 5PCS |
|---|--|--|------|



Step 28

| | | | |
|---|--|---------|--|
| C |  | M3.5X12 | |
| W |  | | |
| Z |  | | |

