

SLEEPER SOFA

Assembly Instruction



NOTE:

Delivered with SEVERAL PACKAGES with SEVERAL TRACKINGS, may NOT be delivered at the same time.



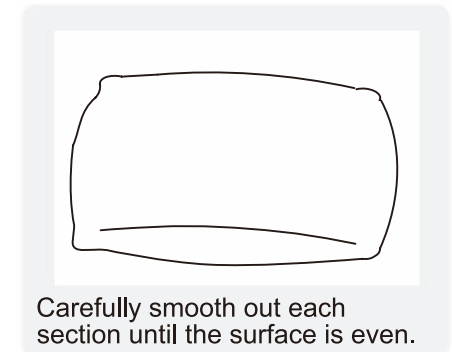
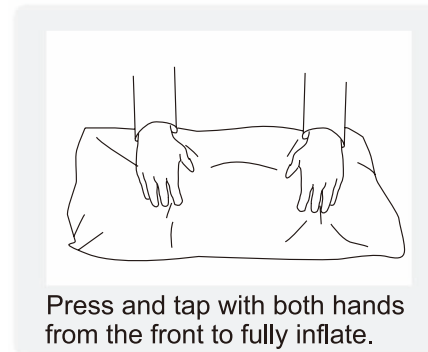
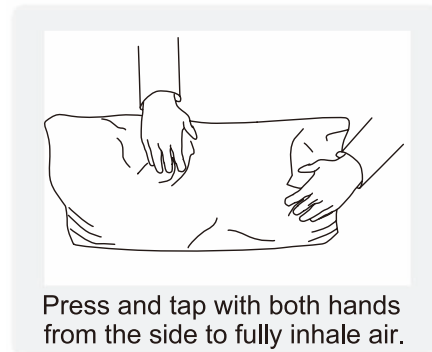
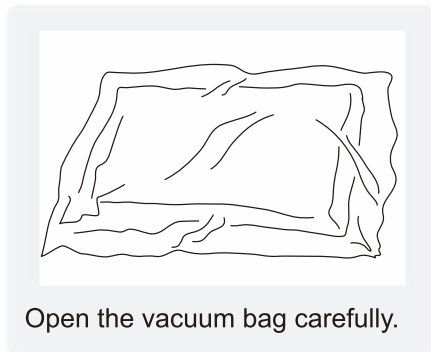
Safety and Care Advice

Important – Please read these instructions fully before starting assembly

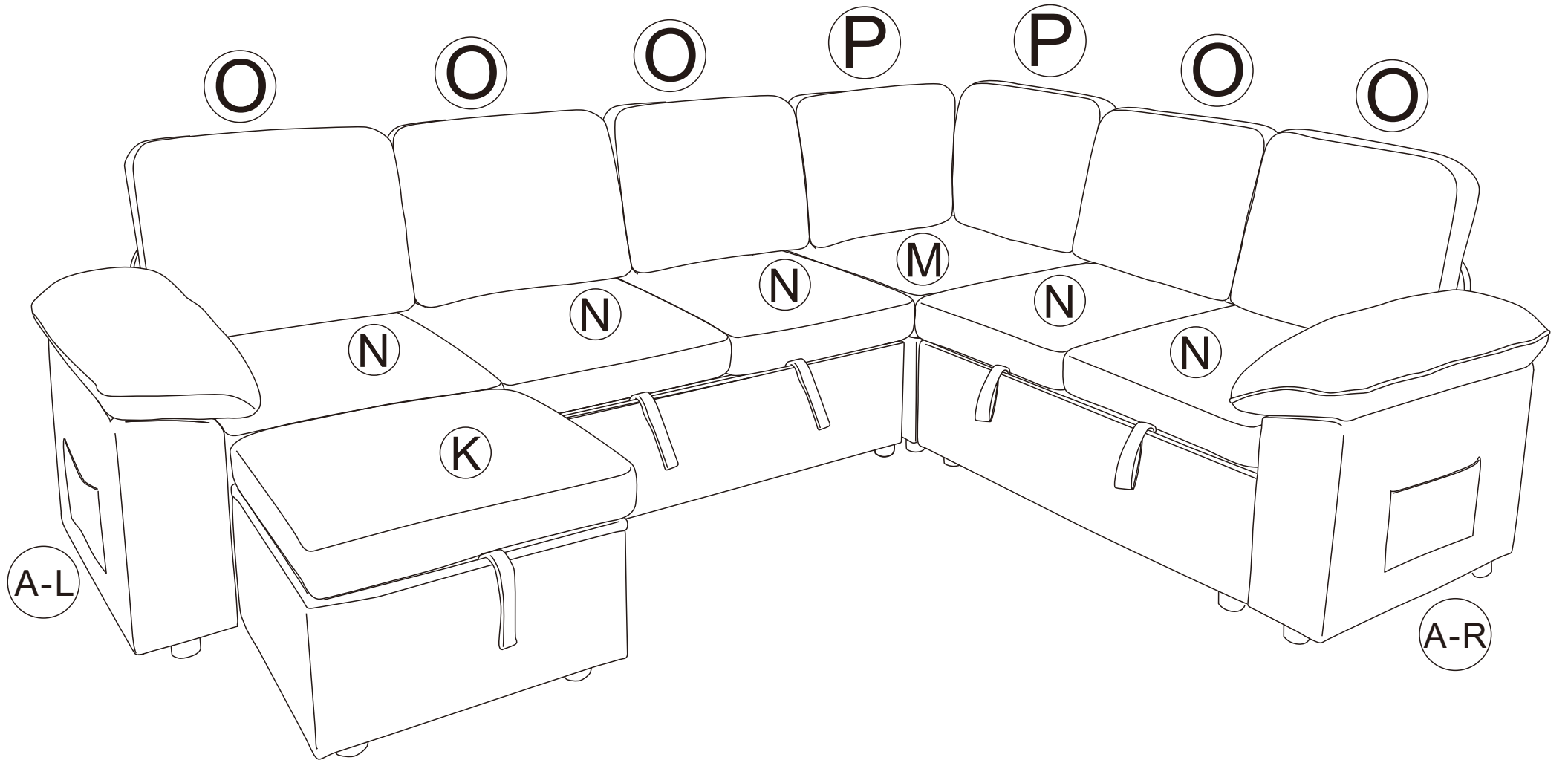
Thanks for your purchase. Before assembling, please follow the instructions to check if all the spare parts and screws are intact.

- Considering the size and weight of the sofa, we recommend two adults to assemble the sofa, on a carpeted or padded area, in the room that it is intended for. Approximate assembly time: 60 minutes.
- Keep all components and packaging out of reach of children or animals to avoid the risk of choking or suffocation.
- Please do not throw away any of the packaging or the instruction until you have checked all the components and hardware and the furniture is fully assembled. Please ensure that the packaging is disposed in a safe and environmentally friendly way.
- Please do not take off the cover, and do not wash.

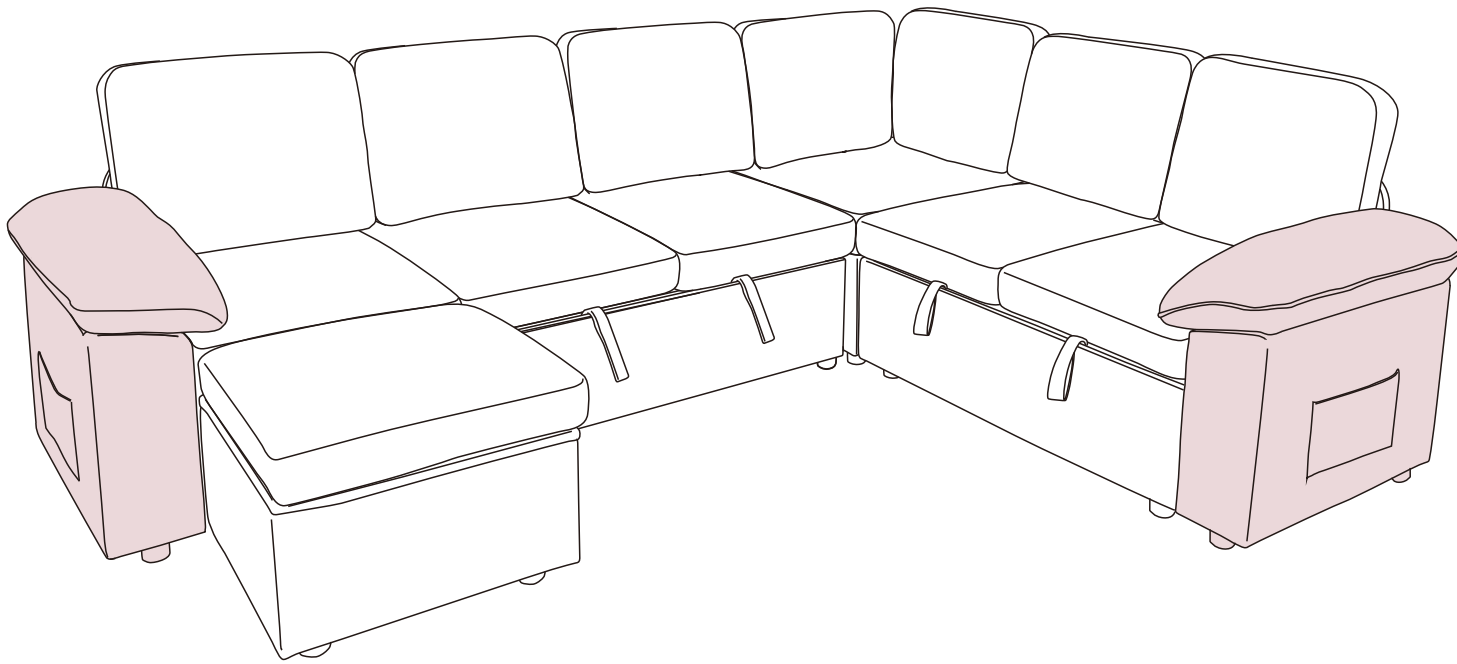
Your cushions come vacuum packed and sealed for shipping. To restore the cushion's original shape, follow the steps below.



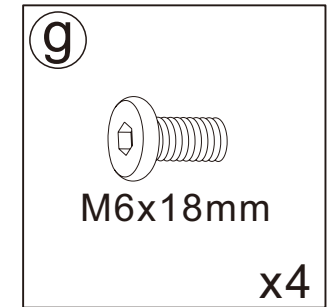
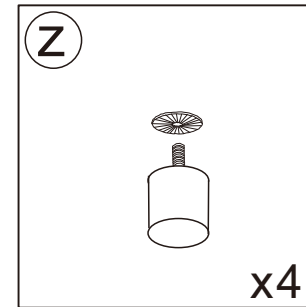
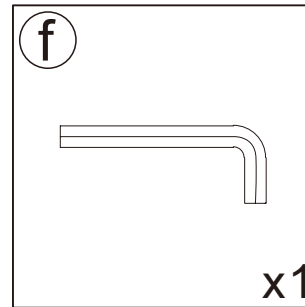
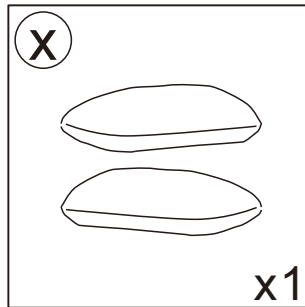
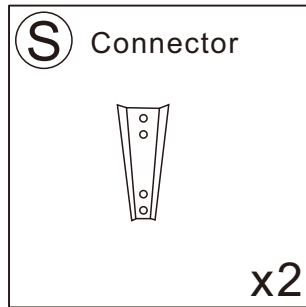
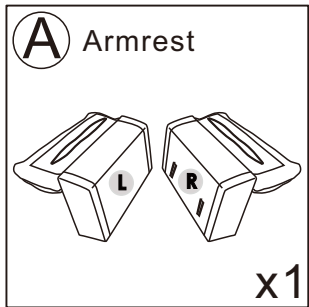
After packing up, place them in somewhere dry and ventilated. After about 72-96 hours. It can be restored to the best use condition.



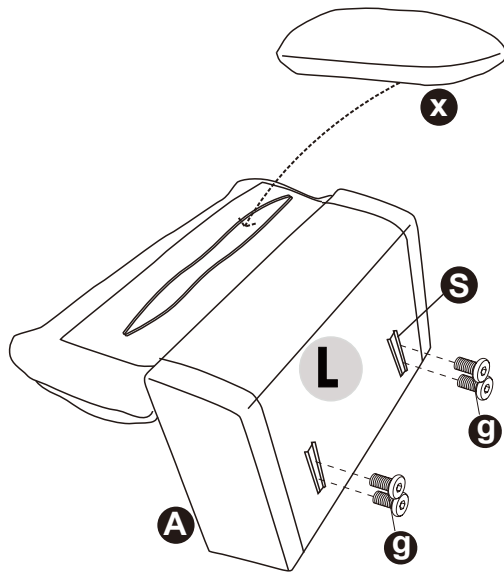
BOX D



Main structure accessories

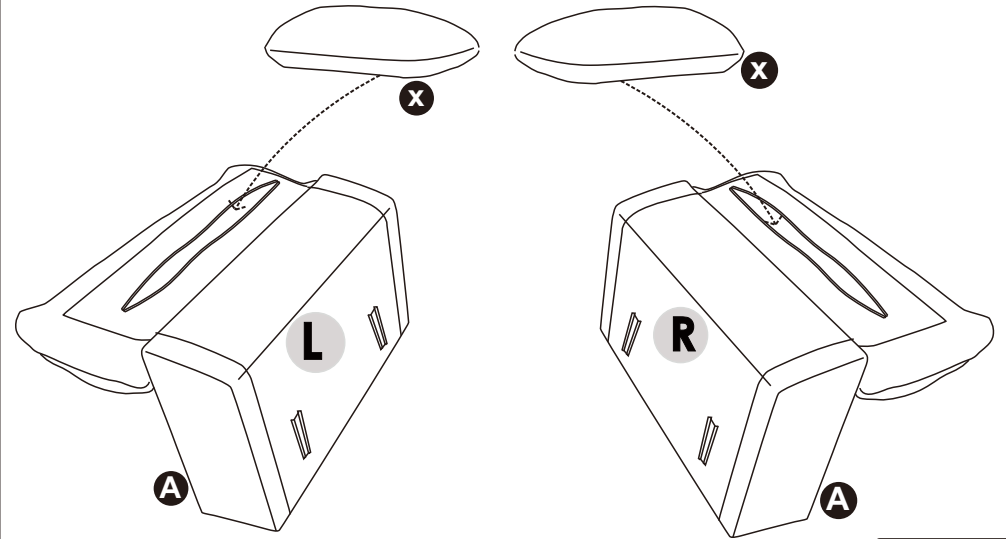




STEP 1



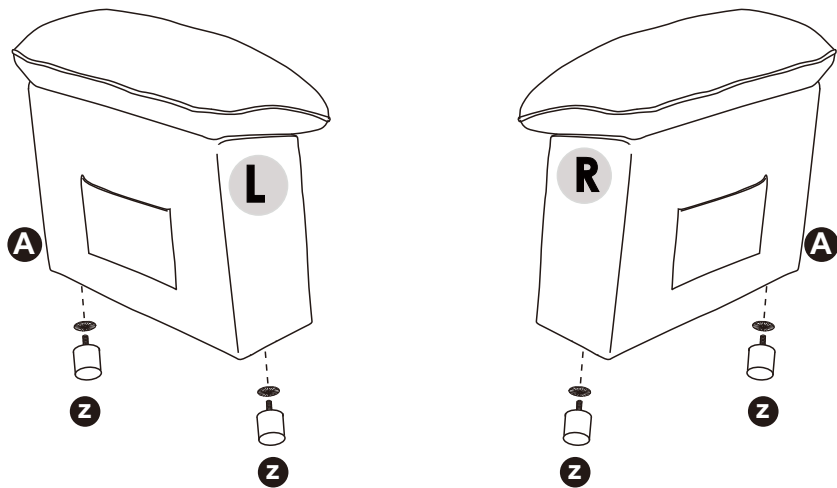
- f**  x1
- g**  x4
M6x18mm
- S**  x2
- A**  x1

STEP 2



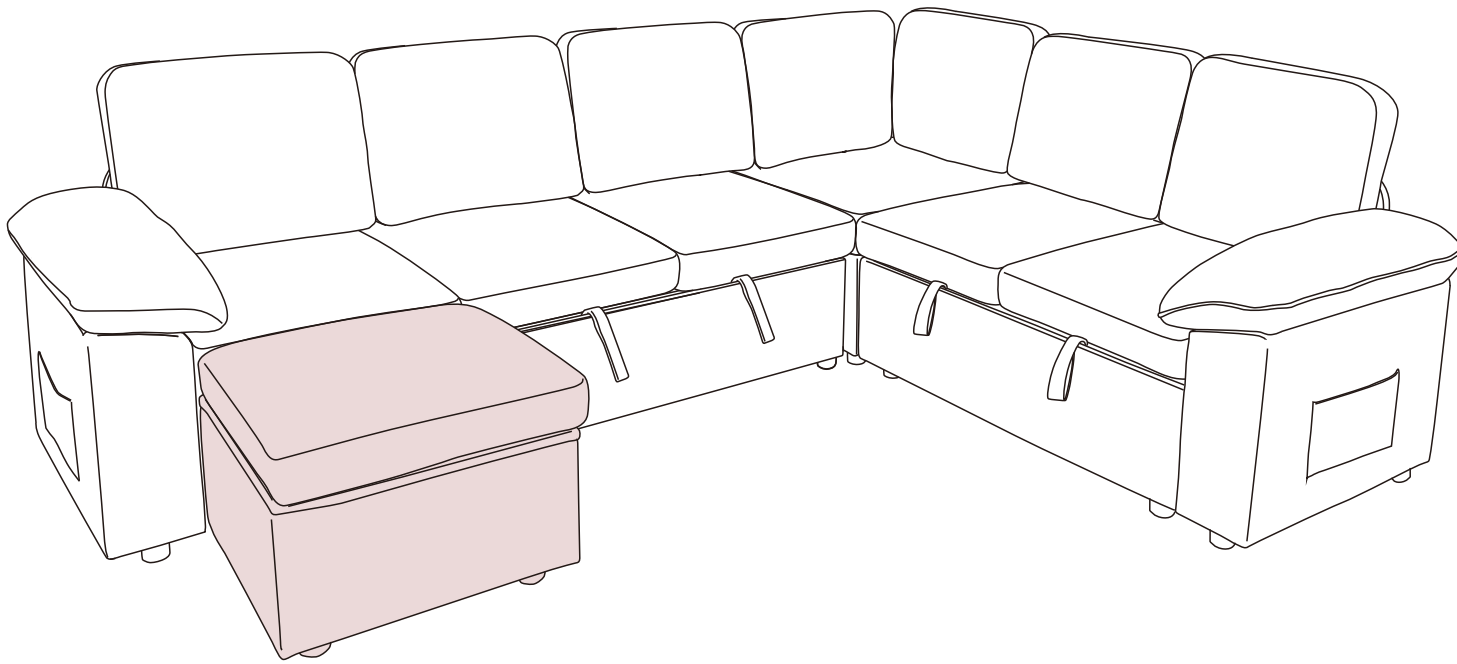
- x**  x1
- A**  x1

STEP 3

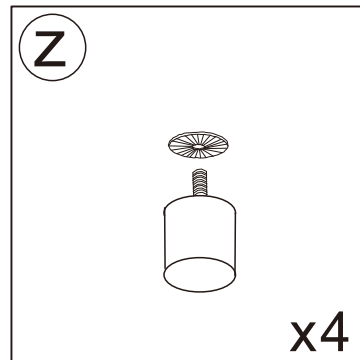
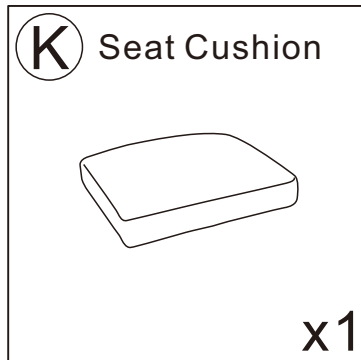
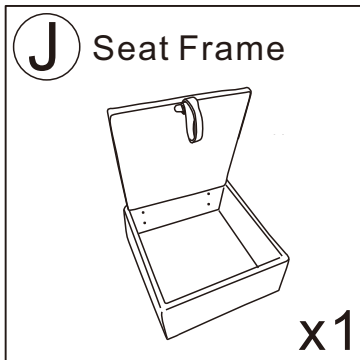


- Z**  x4

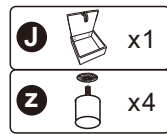
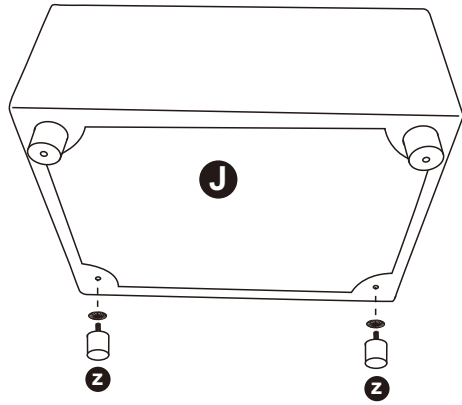
BOX F



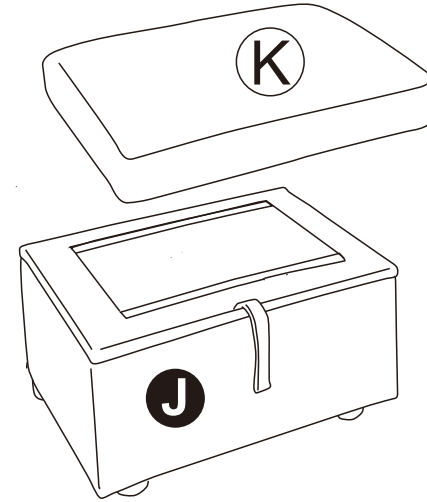
Main structure accessories



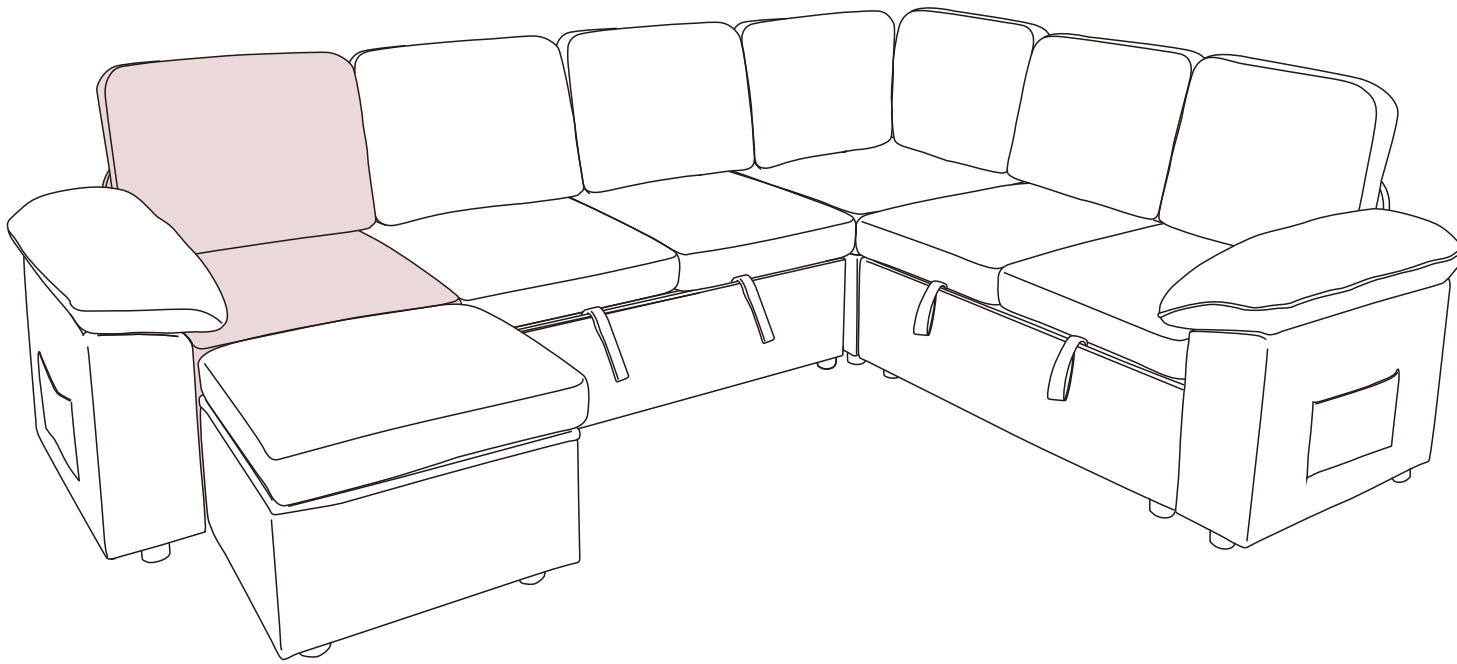
STEP 1



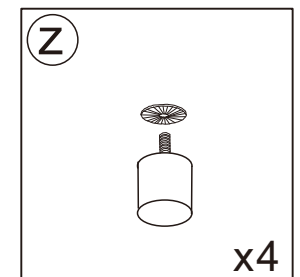
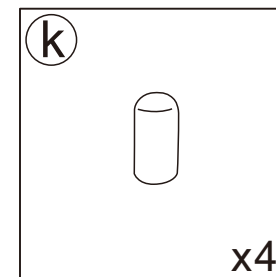
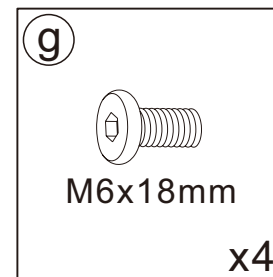
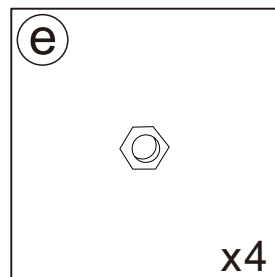
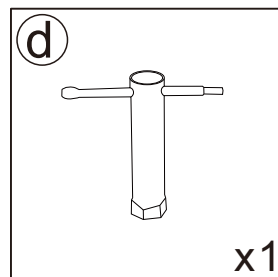
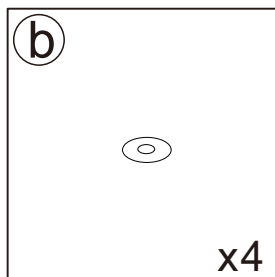
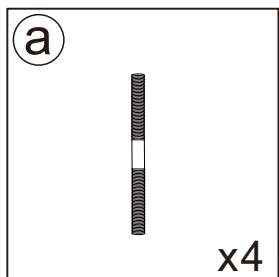
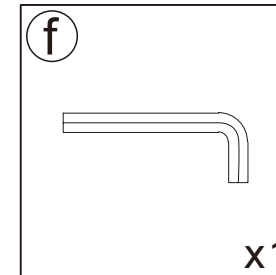
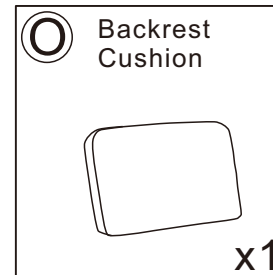
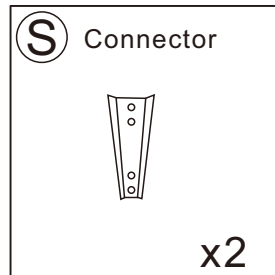
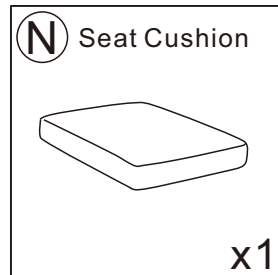
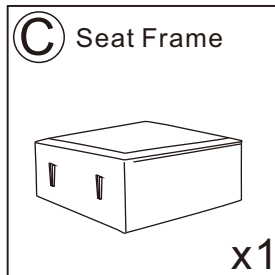
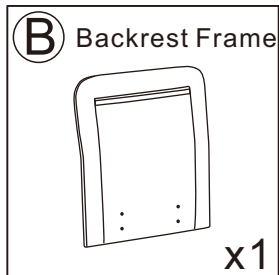
STEP 2



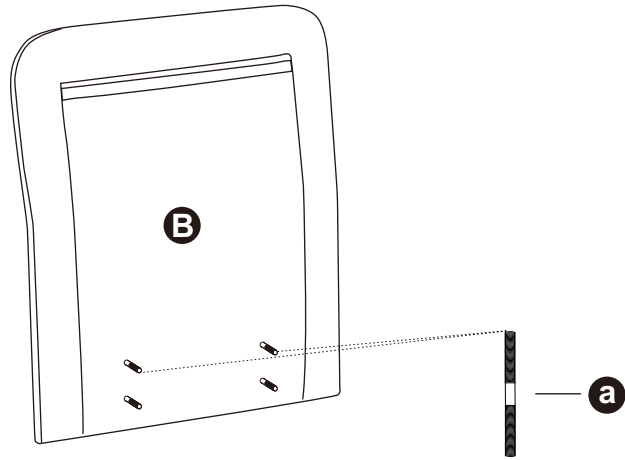
BOX E





Main structure accessories

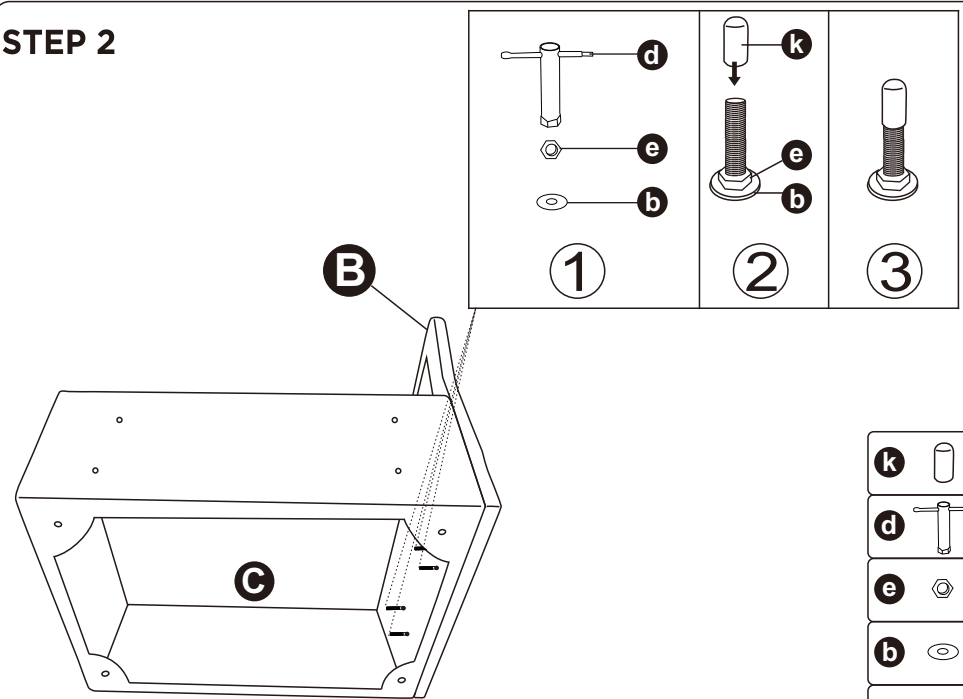



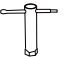



STEP 1



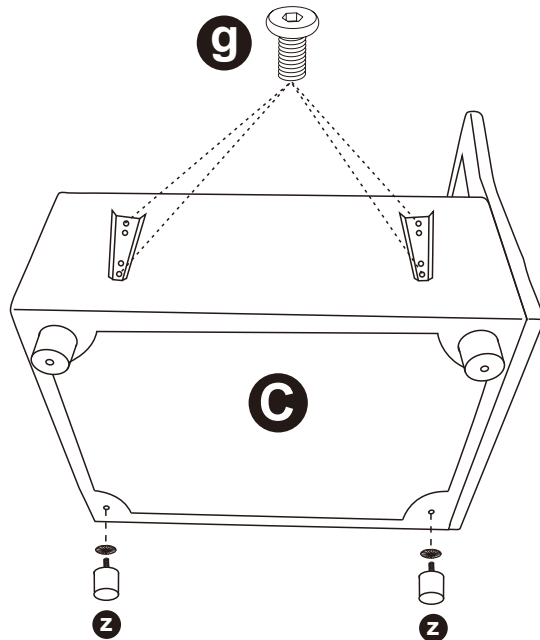
- B**  x1
- a**  x4

STEP 2



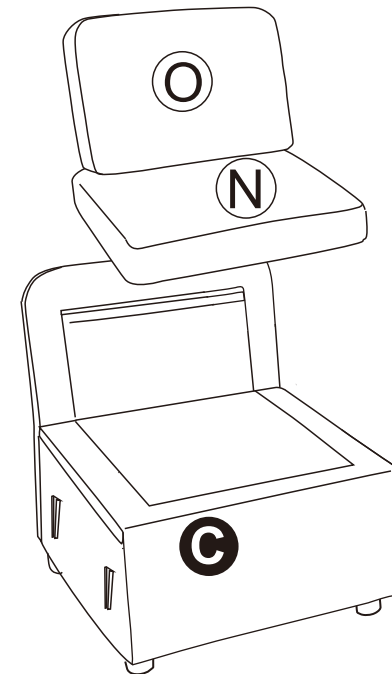
- k**  x4
- d**  x1
- e**  x4
- b**  x4
- C**  x1



STEP 3



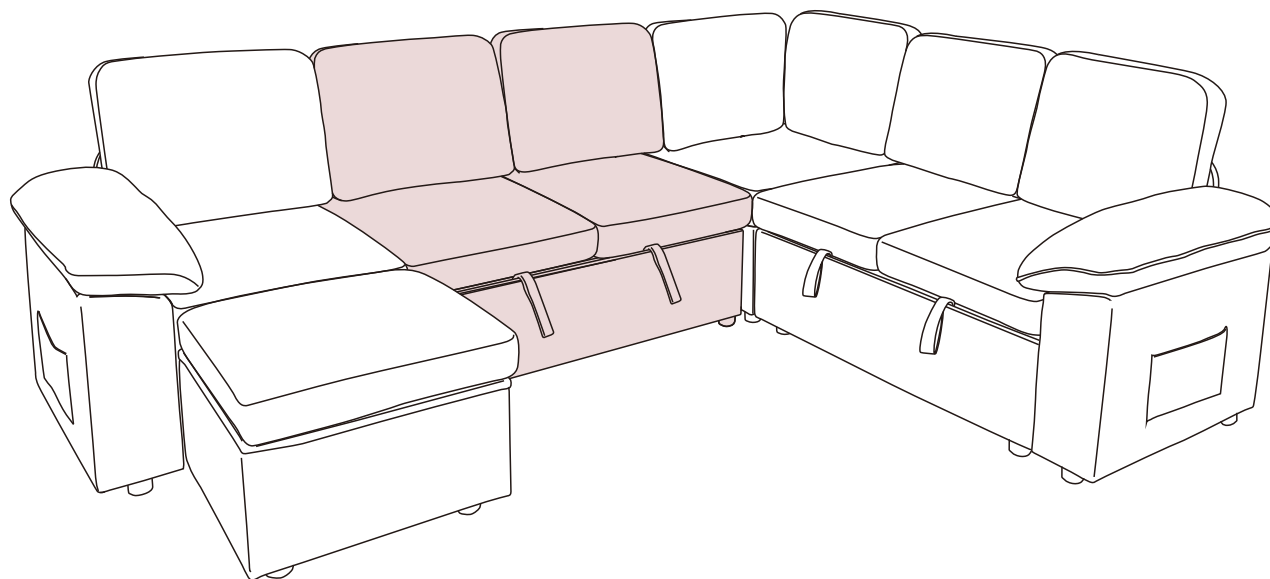
- f**  x1
- g**  x4
M6x18mm
- s**  x2
- z**  x4

STEP 4

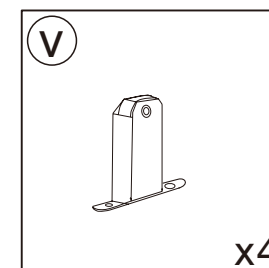
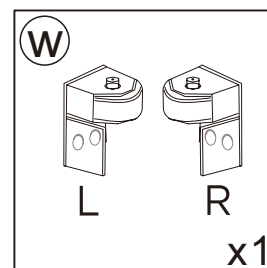
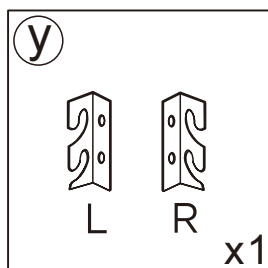
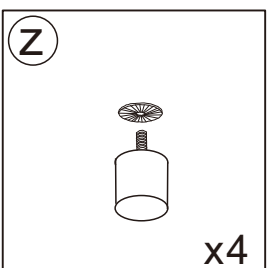
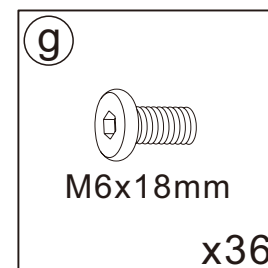
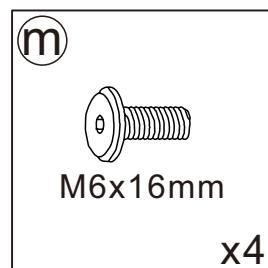
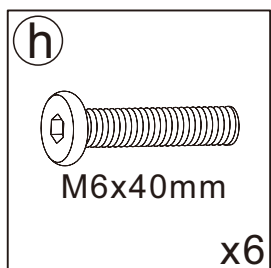
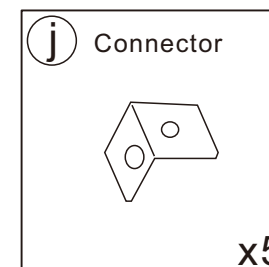
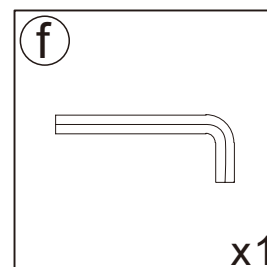
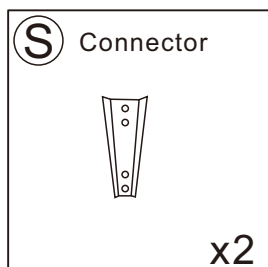
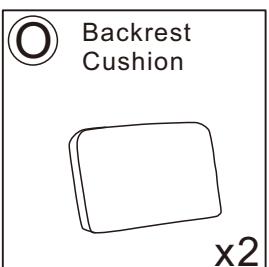
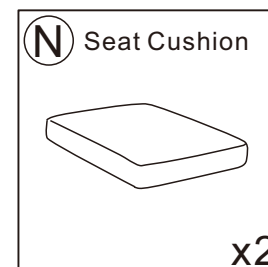
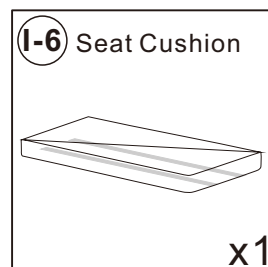
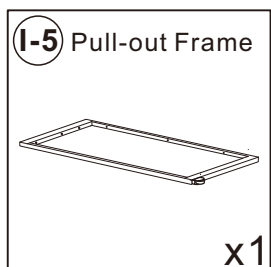
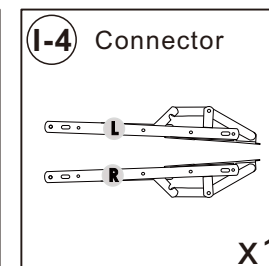
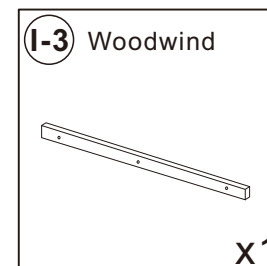
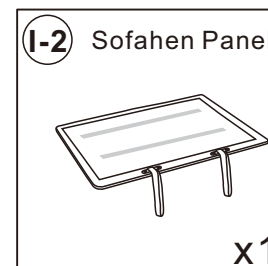
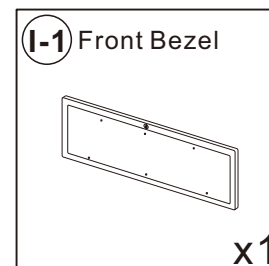
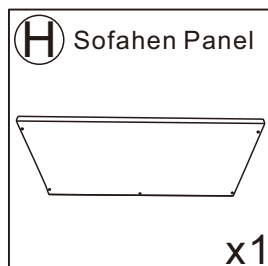
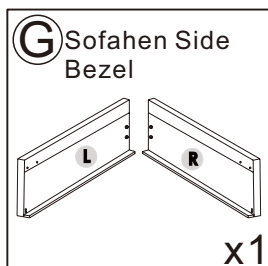
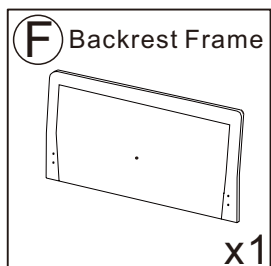


- O**  x1
- N**  x1

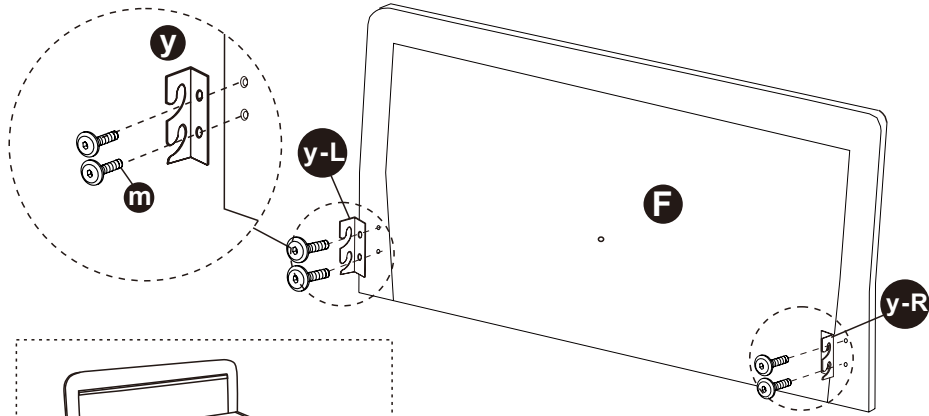
BOX B



Main structure accessories

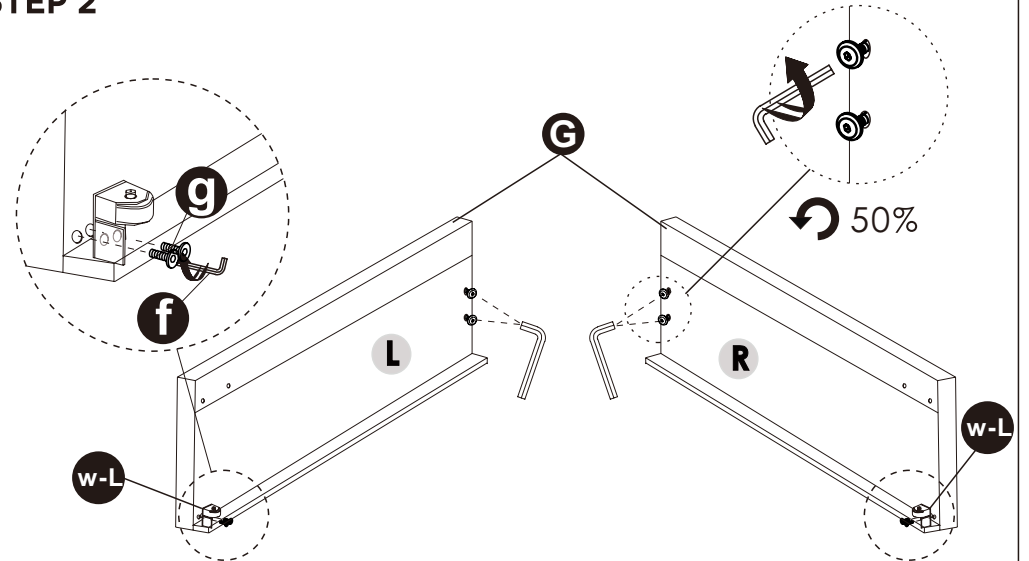


STEP 1



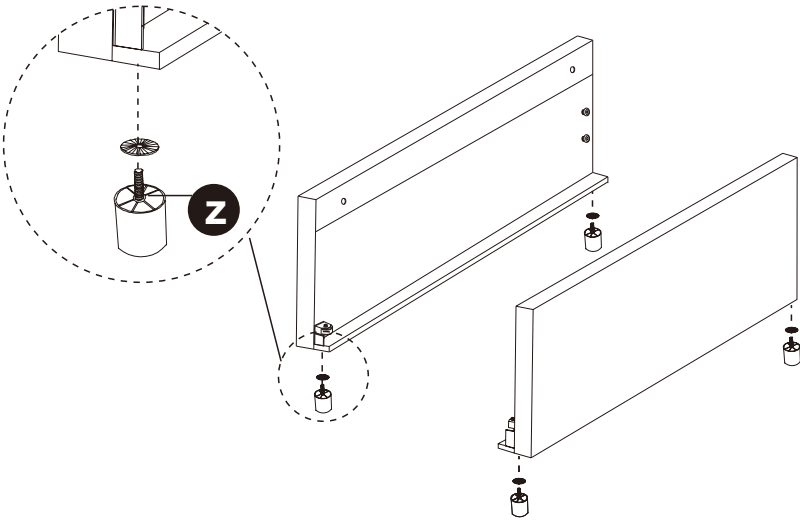
F	x1	m	x4
y L R	x1	f	x1

STEP 2



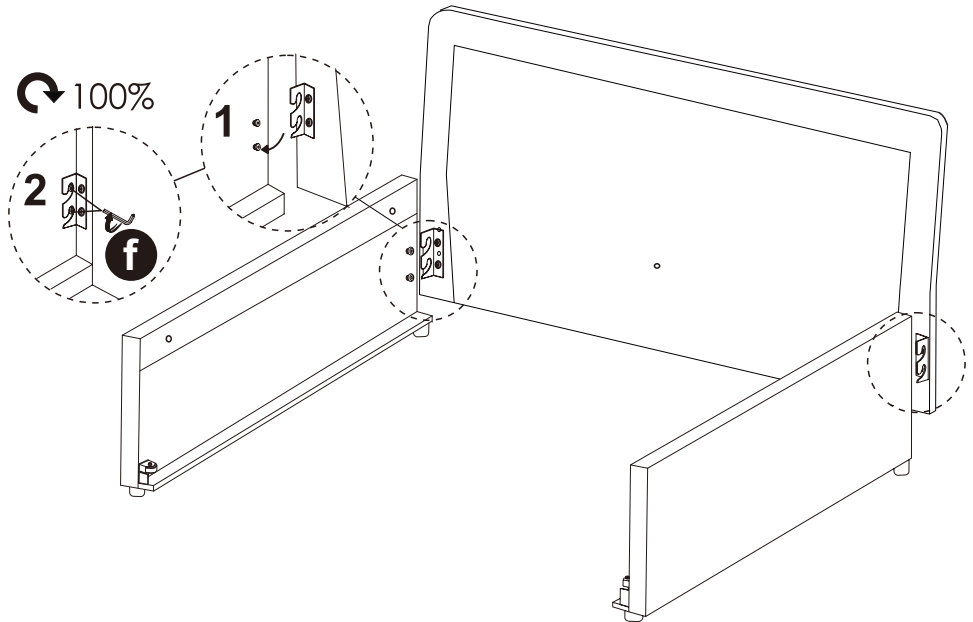
G	x1	g	x4
w L R	x1	f	x1

STEP 3



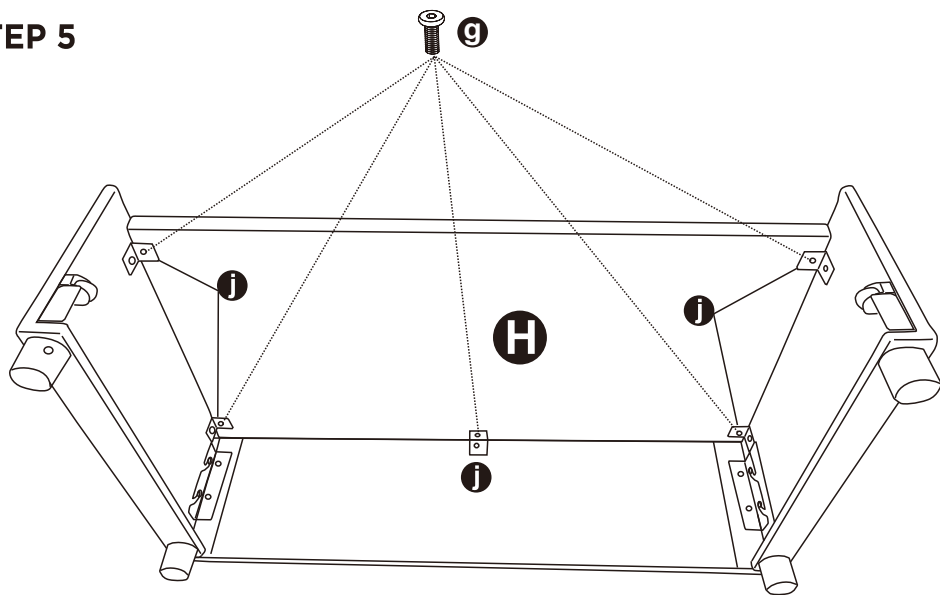
Z	x4
----------	----





STEP 4



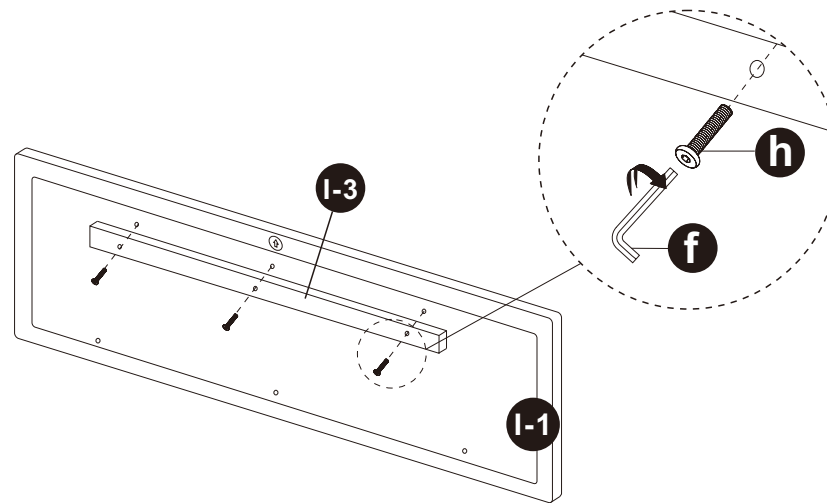
Loosen the screws at first for better engagement.





STEP 5



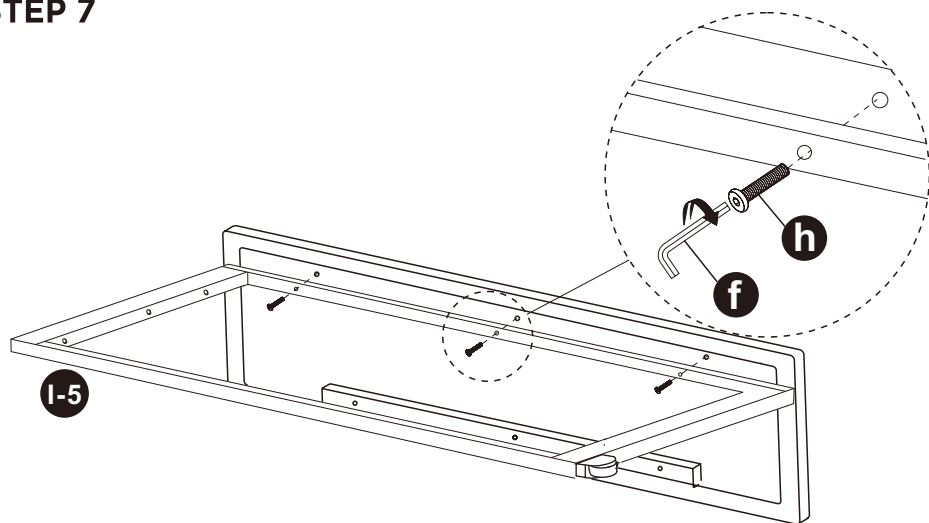
H	 x1	g	 x10
j	 x5	f	 x1




STEP 6



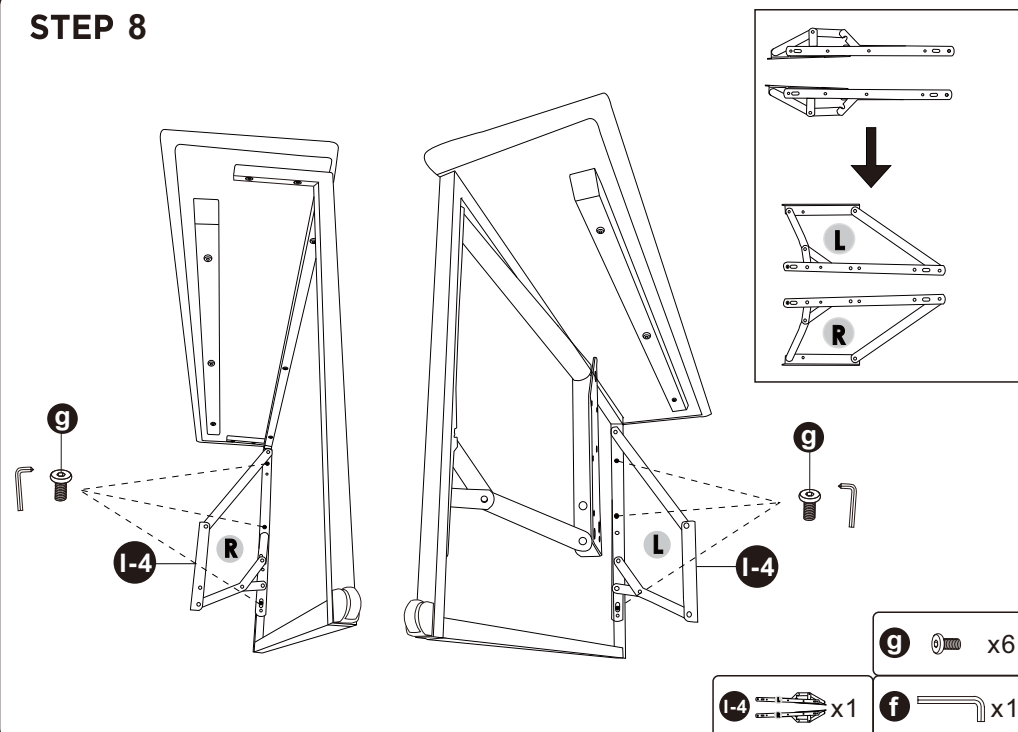
l-1	 x1	h	 x3
l-3	 x1	f	 x1


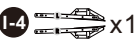
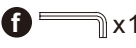
STEP 7



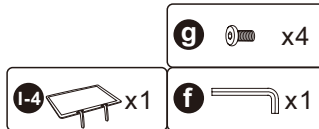
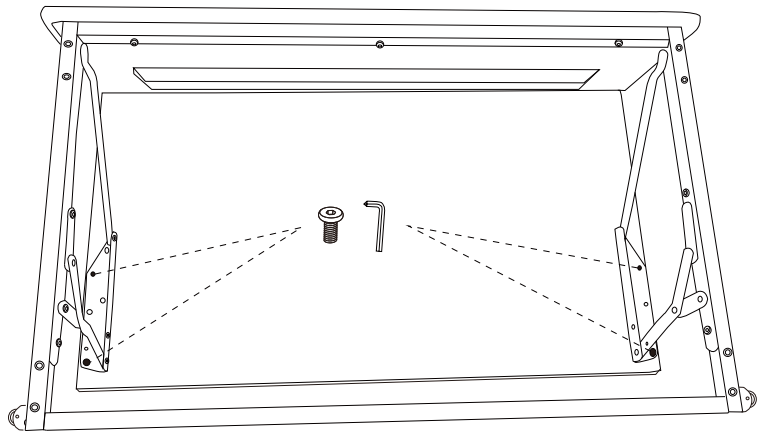
h	 x3		
l-5	 x1	f	 x1

STEP 8

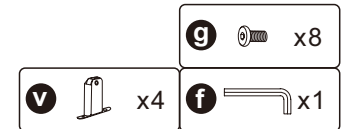
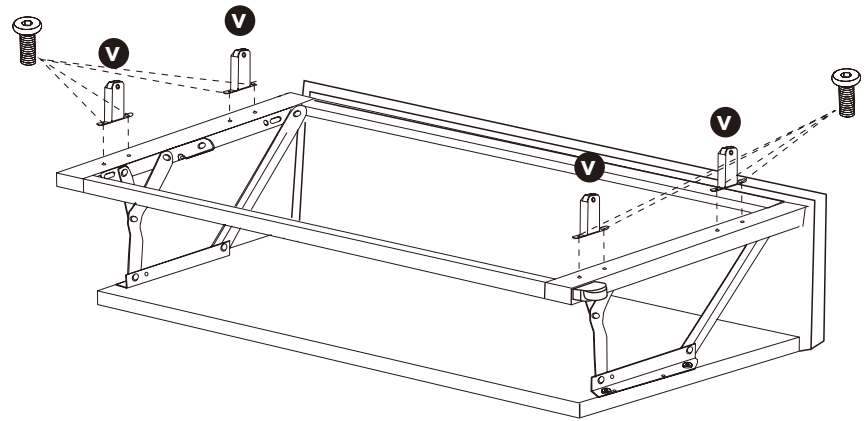


g	 x6		
l-4	 x1	f	 x1

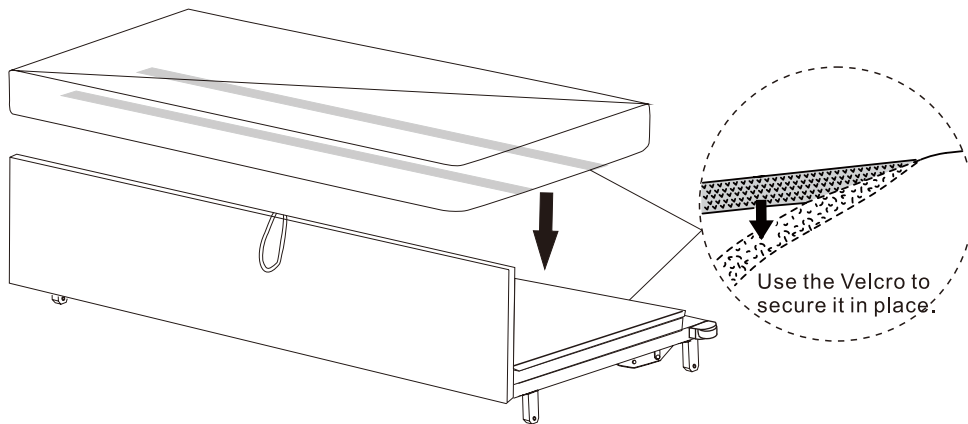
STEP 9



STEP 10



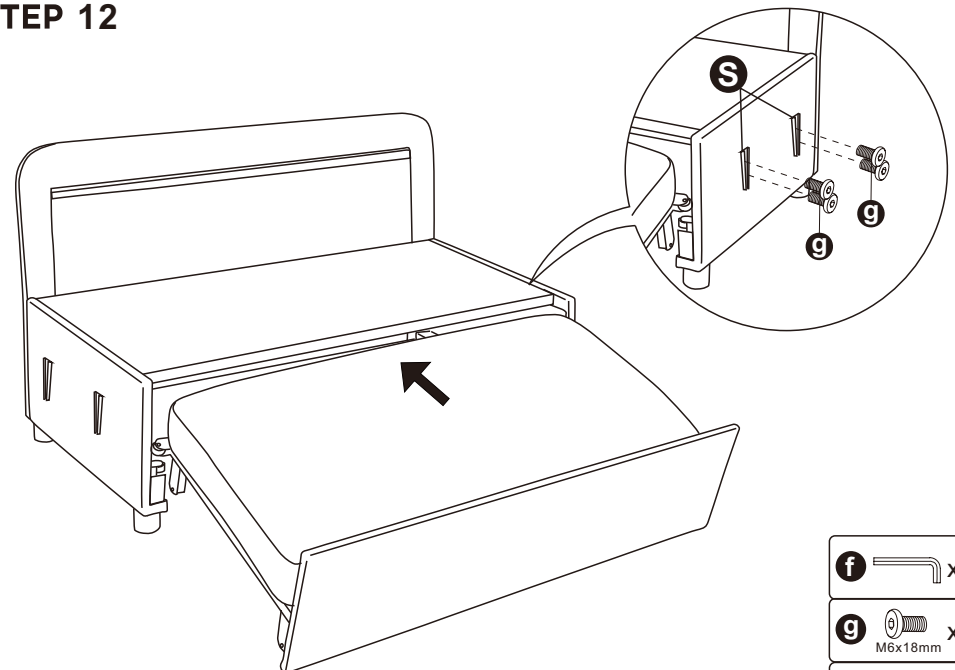
STEP 11



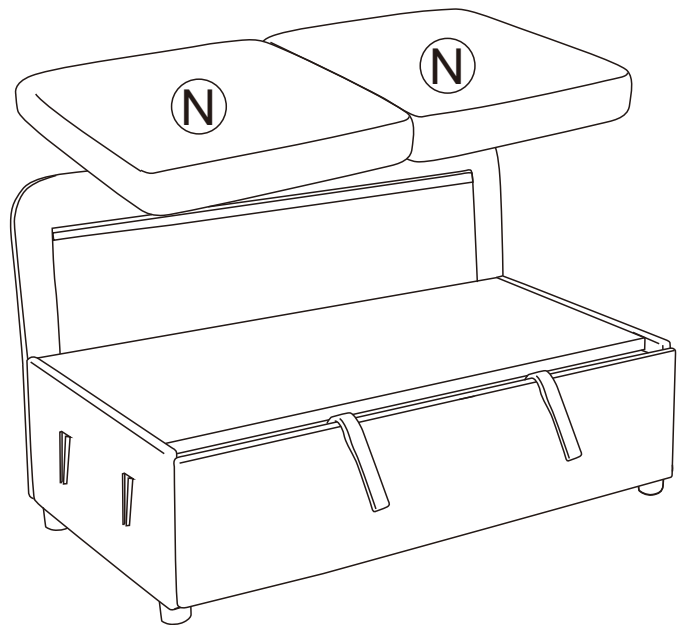
Use the Velcro to secure it in place.



STEP 12

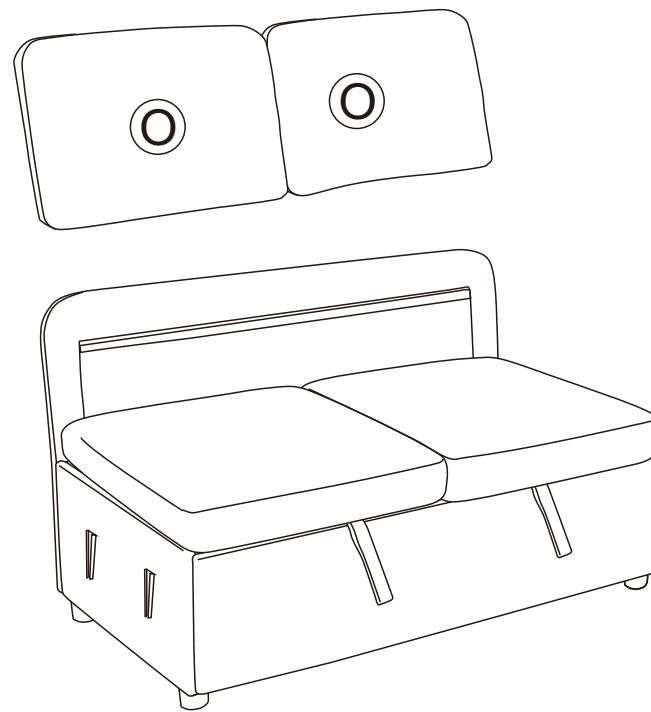


STEP 13



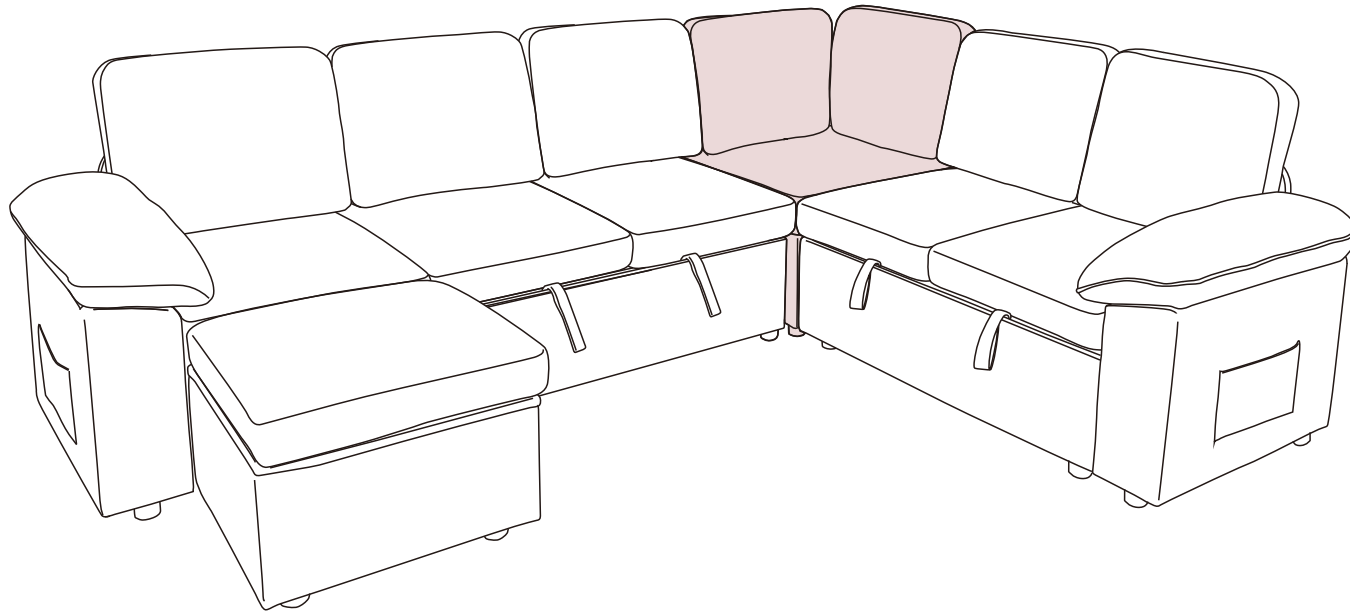
N  x2

STEP 14

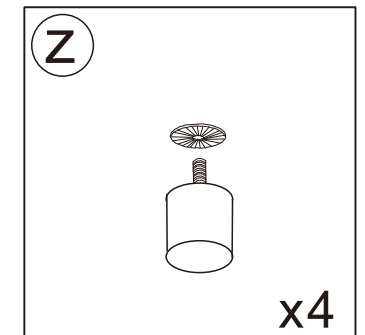
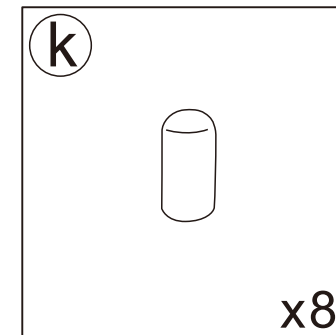
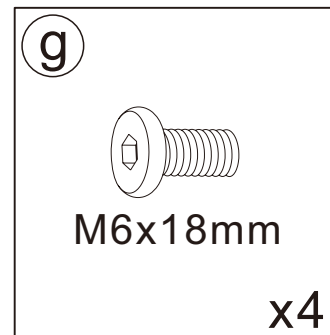
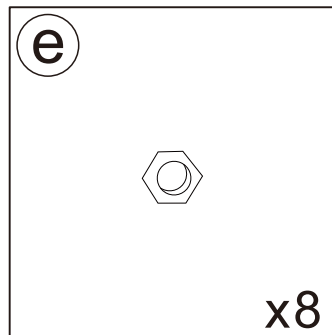
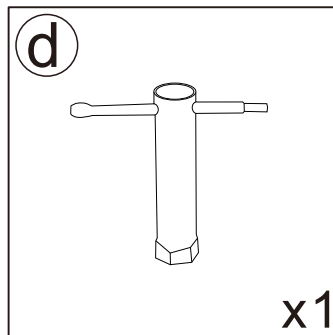
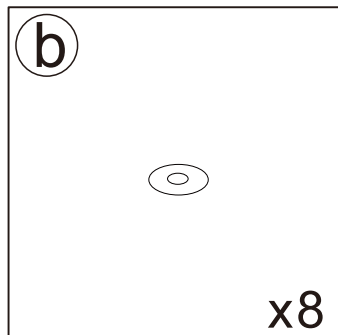
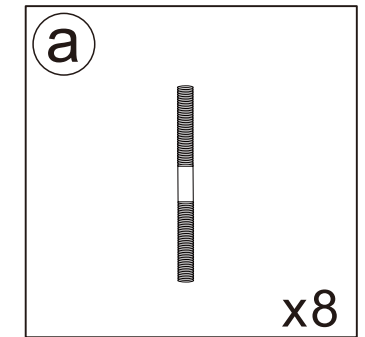
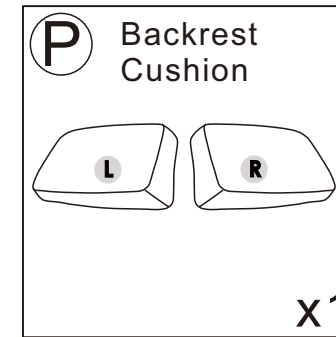
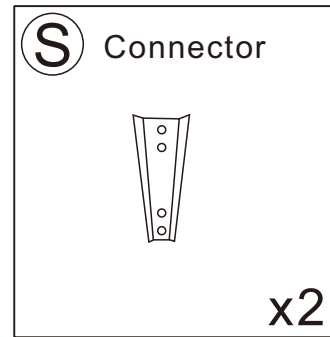
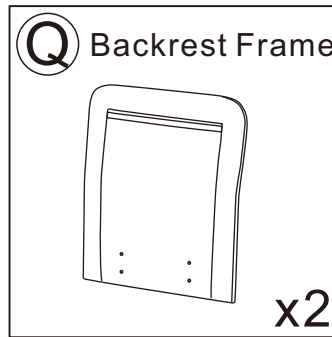
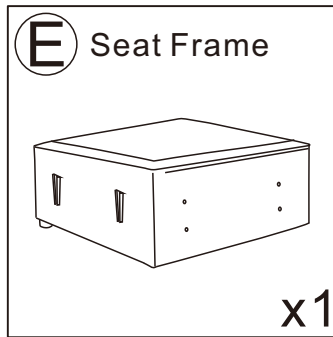
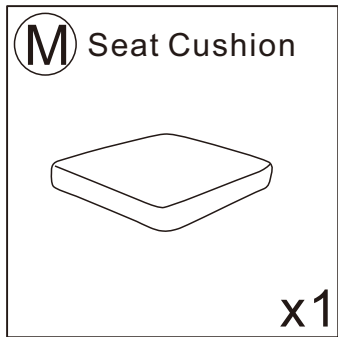
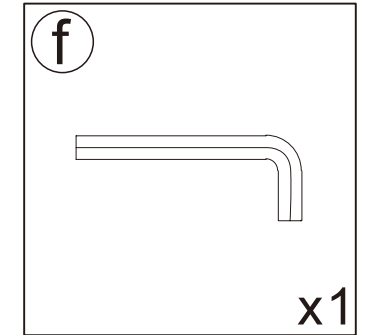


O  x2

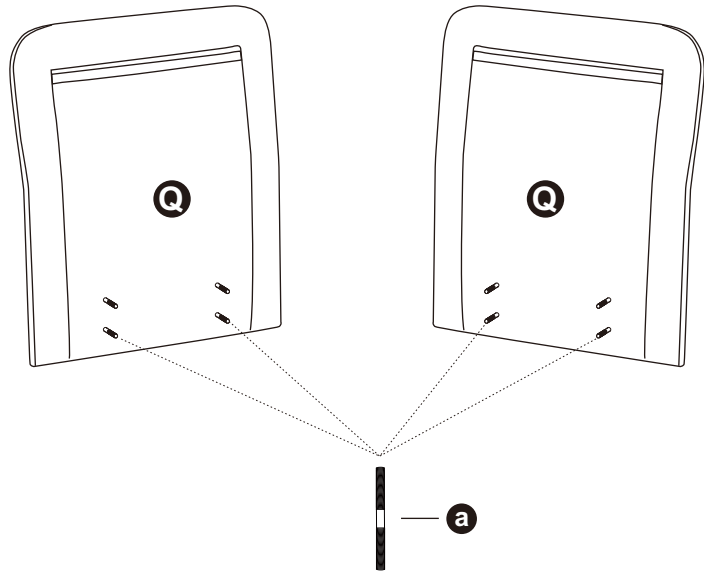
BOX A





Main structure accessories

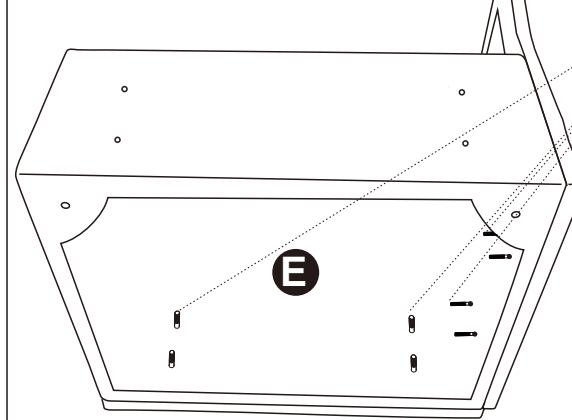
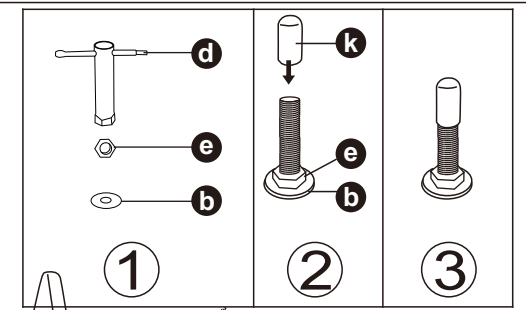



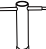



STEP 1



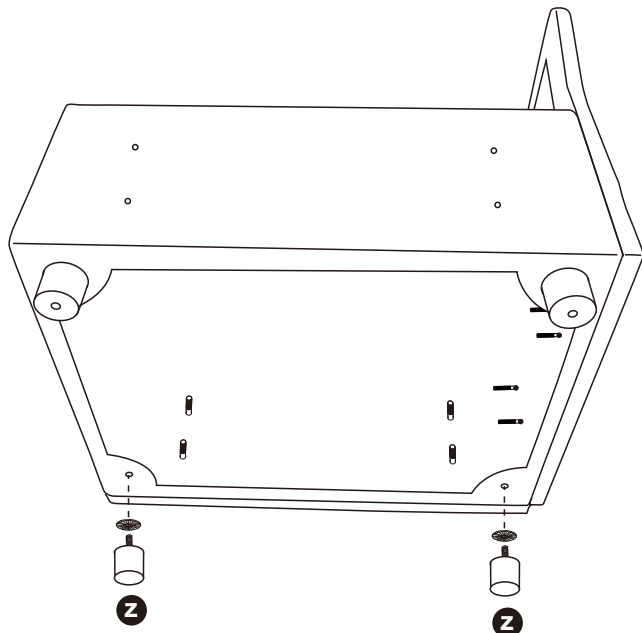
- c**  x2
- a**  x8

STEP 2



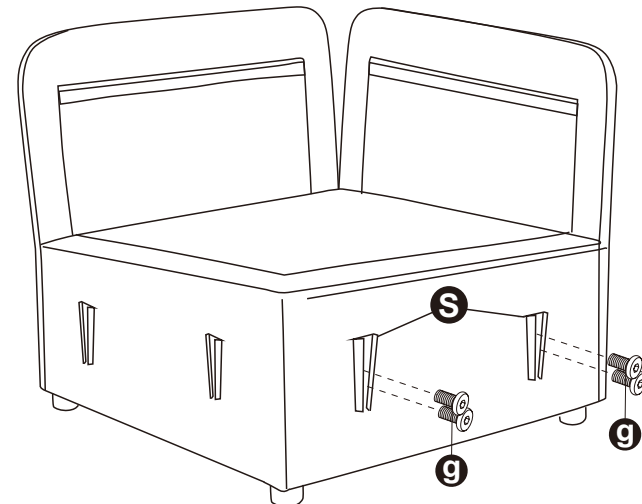
- k**  x8
- d**  x1
- e**  x8
- b**  x8
- E**  x1




STEP 3



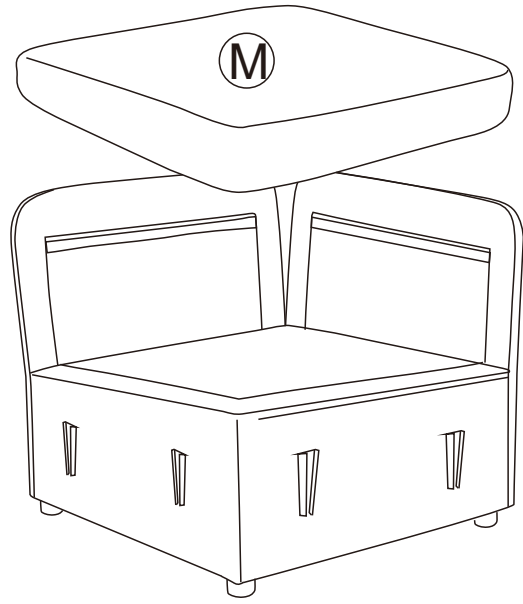
- z**  x4

STEP 4

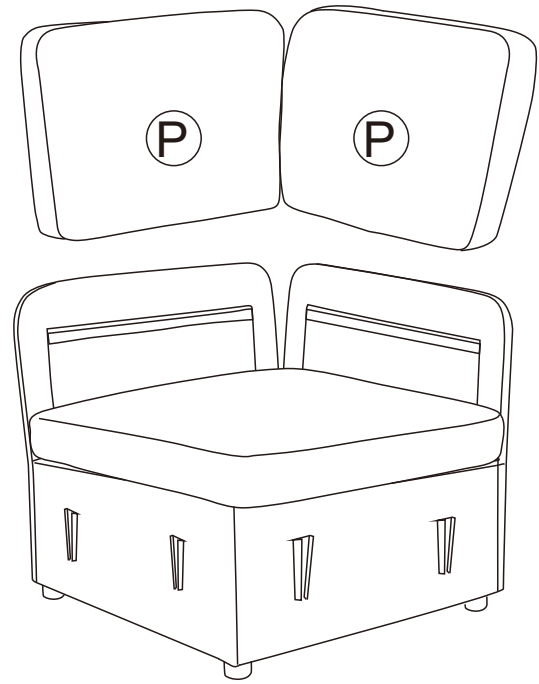


- f**  x1
- g**  x4
M6x18mm
- s**  x2

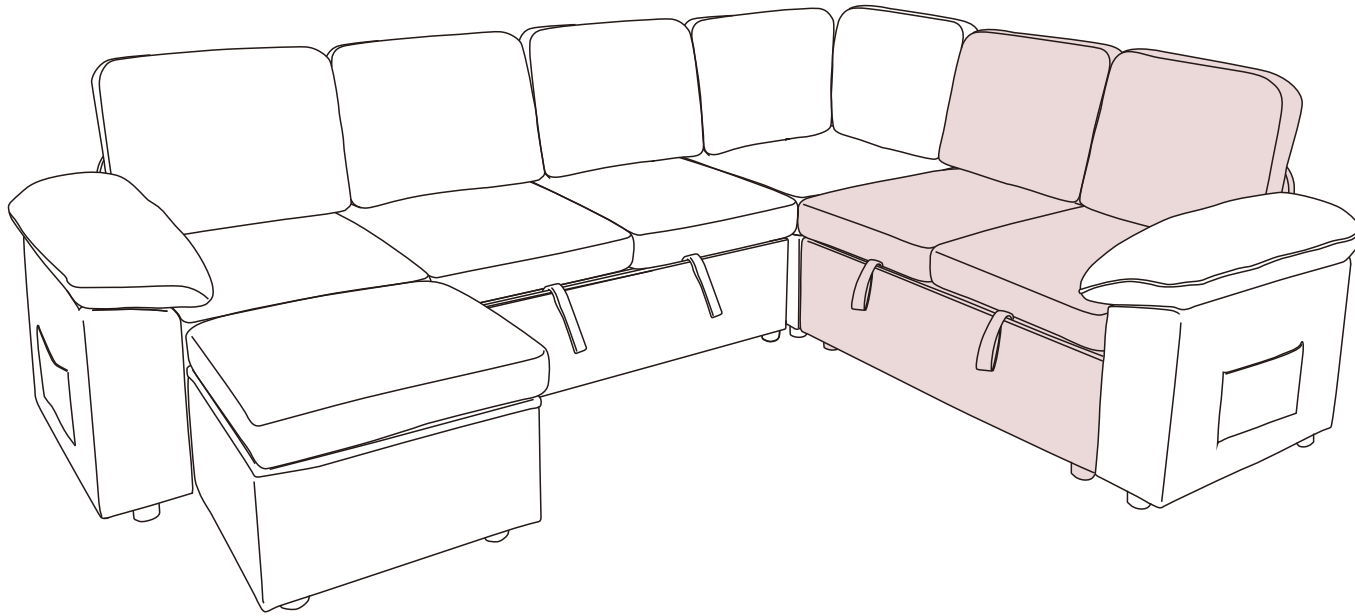
STEP 5



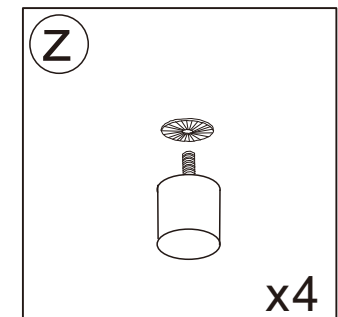
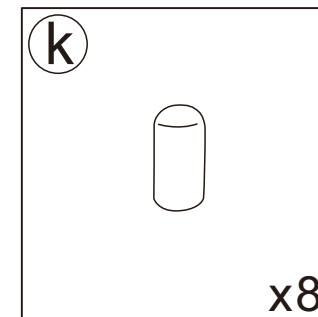
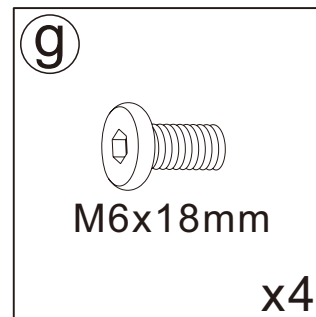
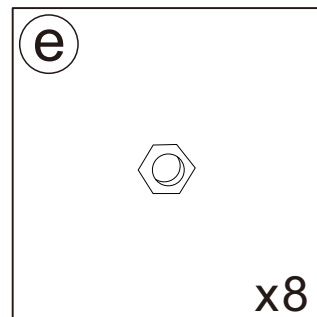
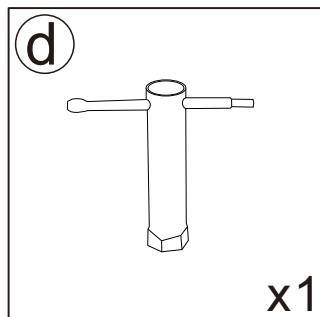
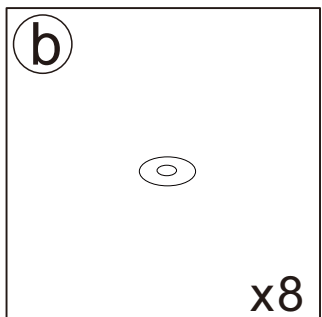
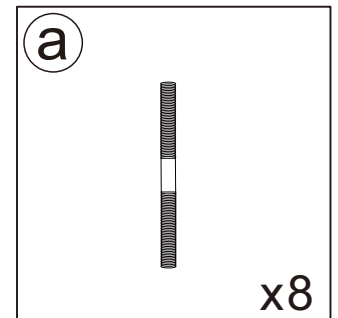
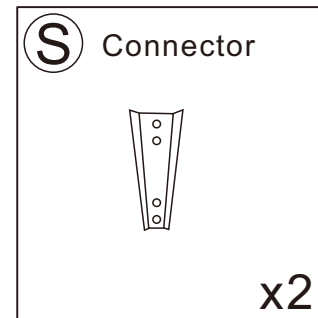
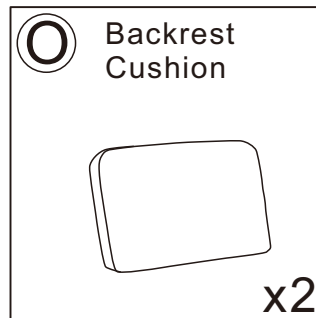
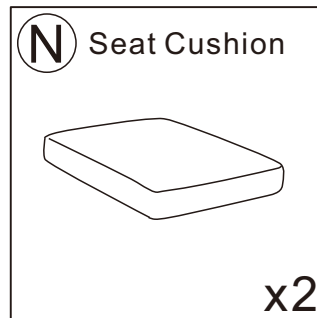
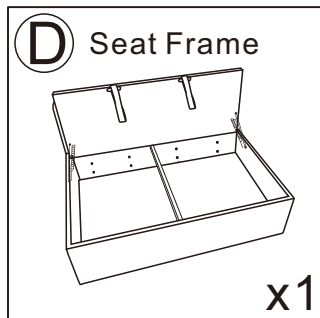
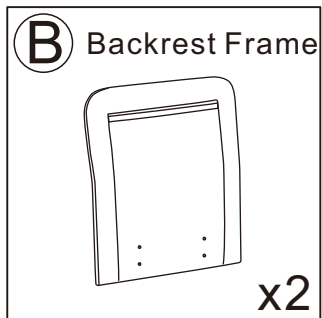
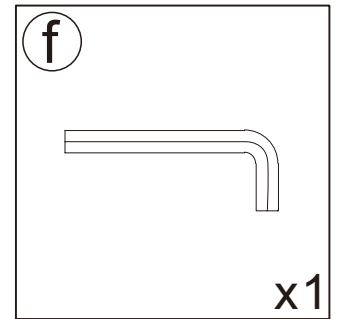
STEP 6



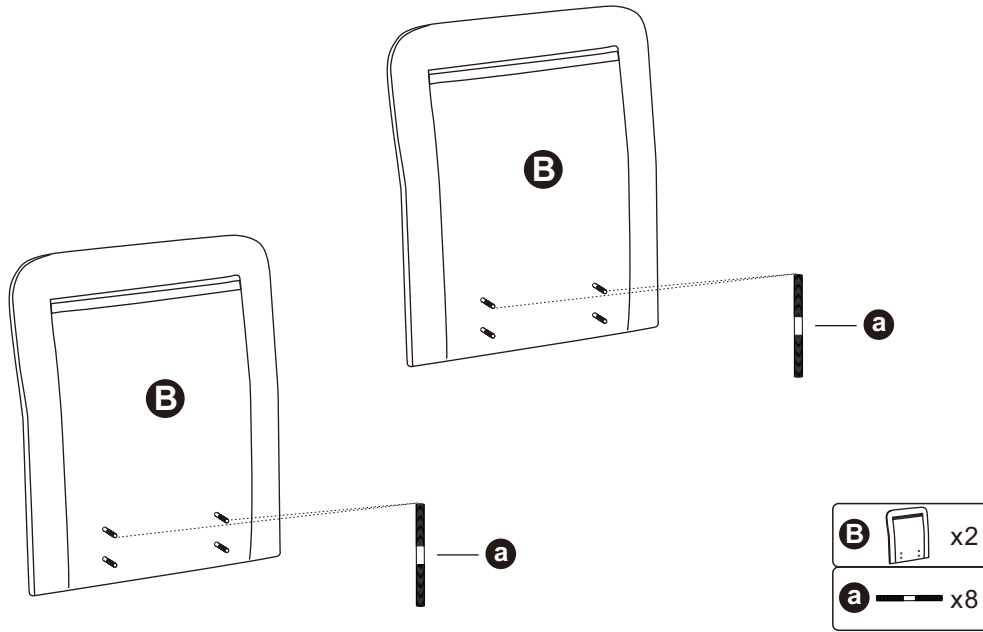
BOX C



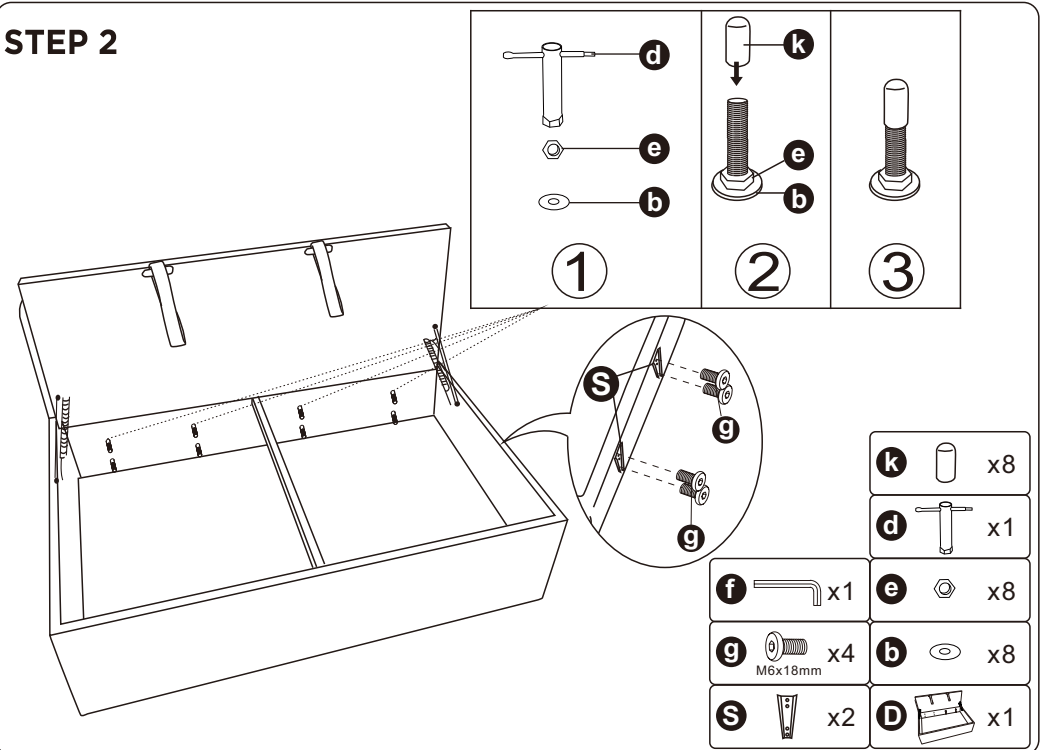
Main structure accessories



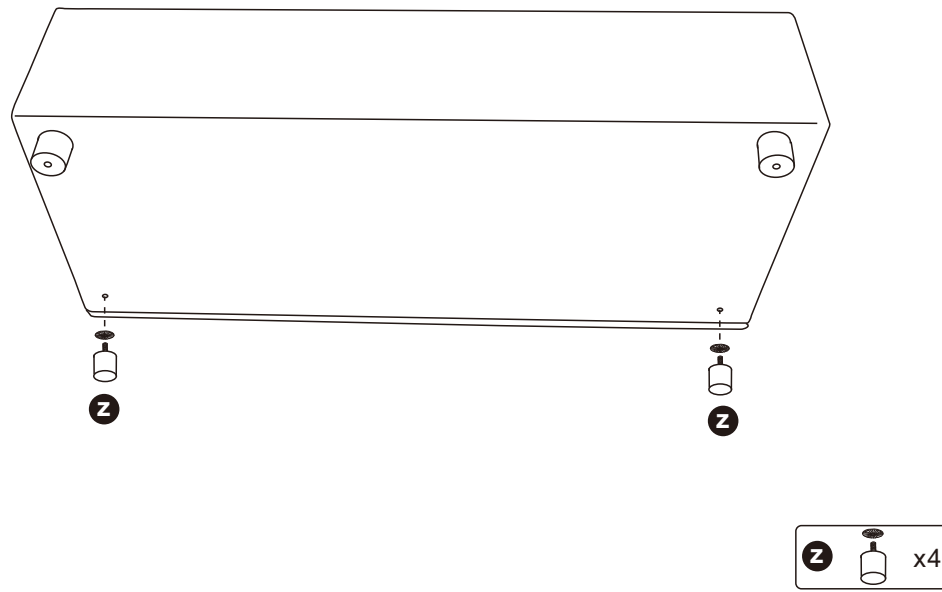
STEP 1



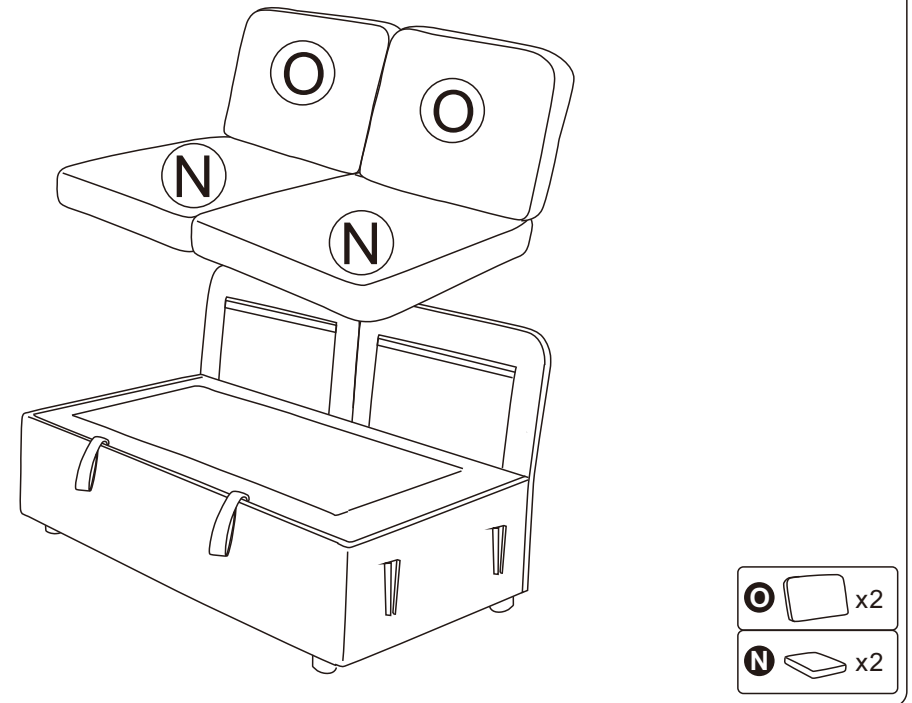
STEP 2



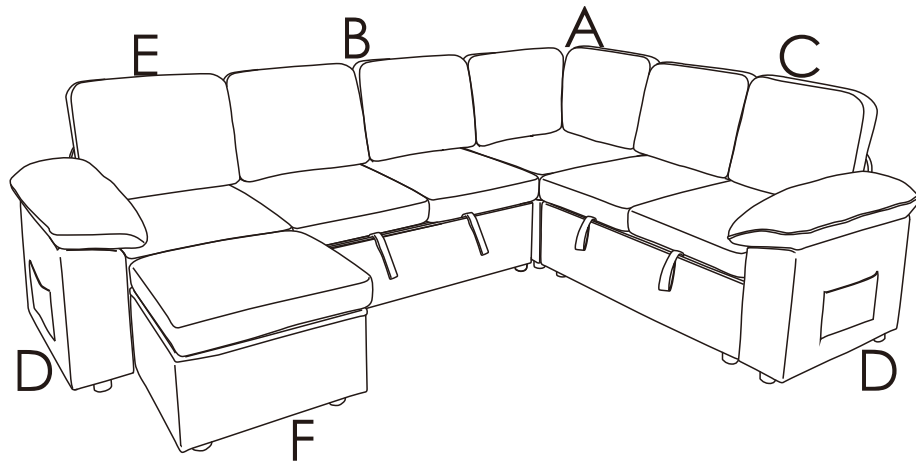
STEP 3



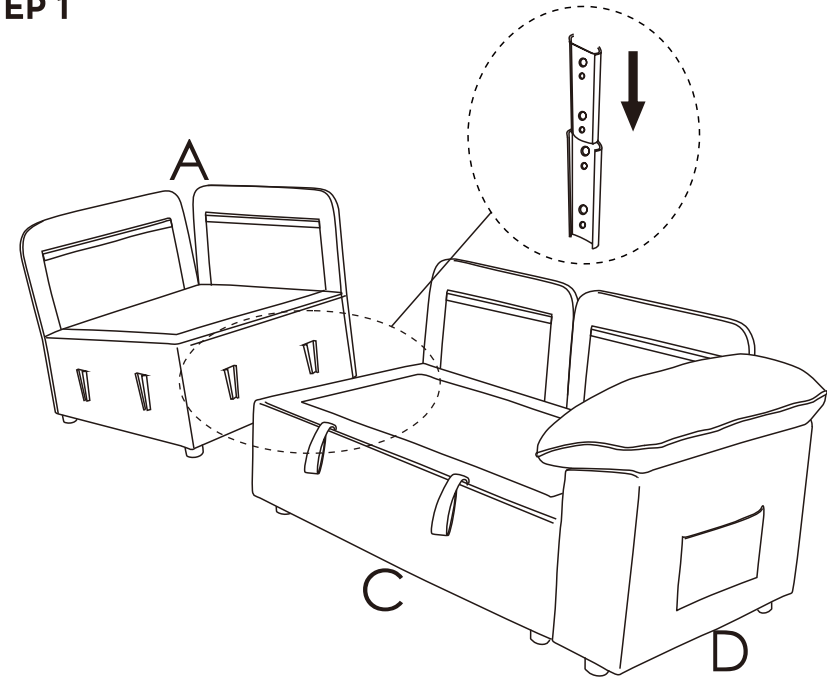
STEP 4



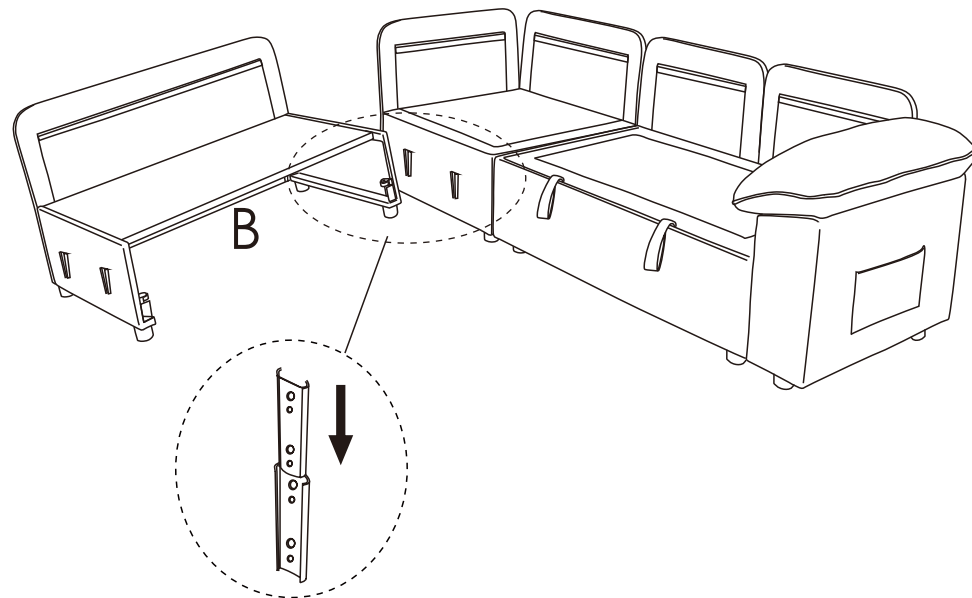
Combine 7-Seat



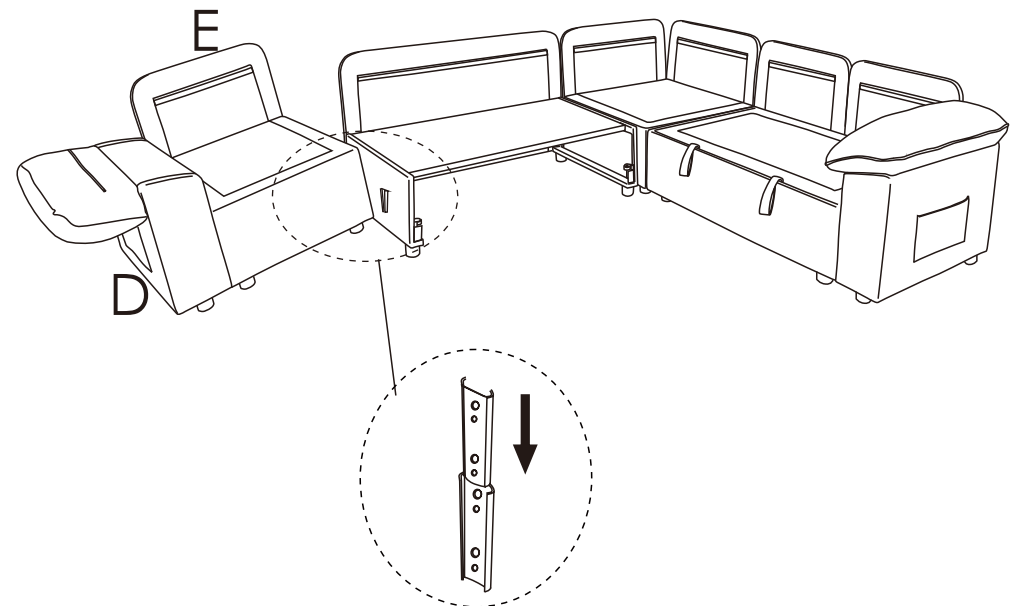
STEP 1



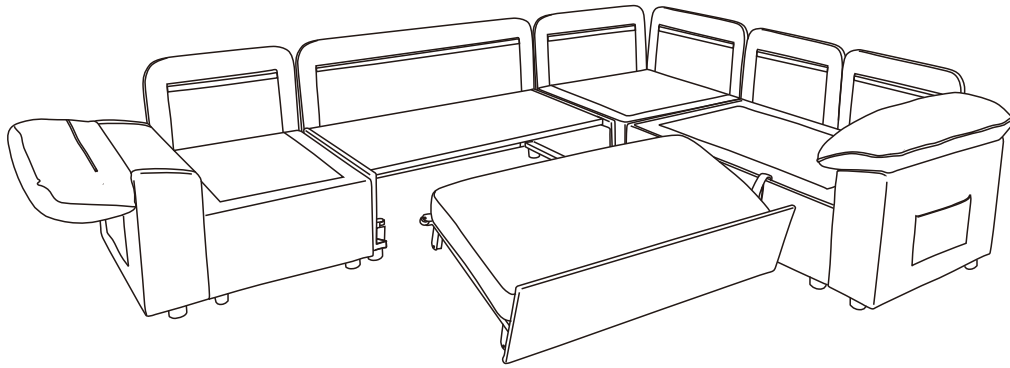
STEP 2



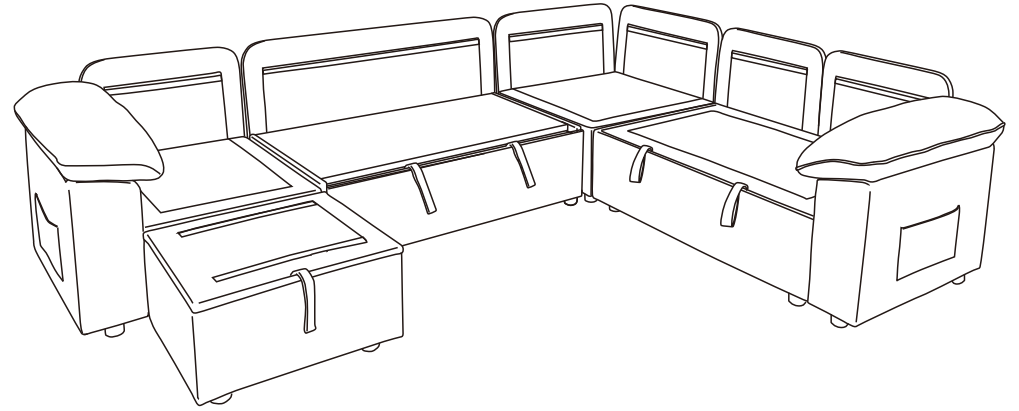
STEP 3



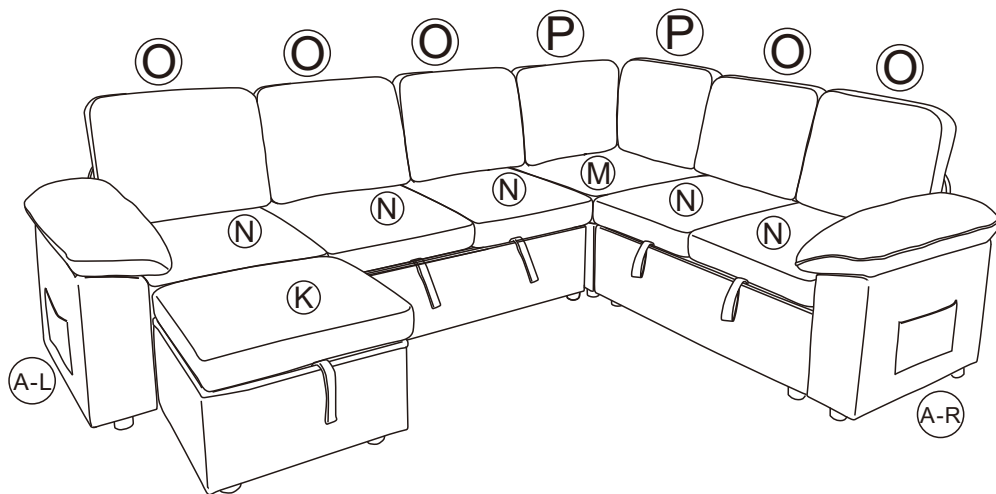
STEP 4



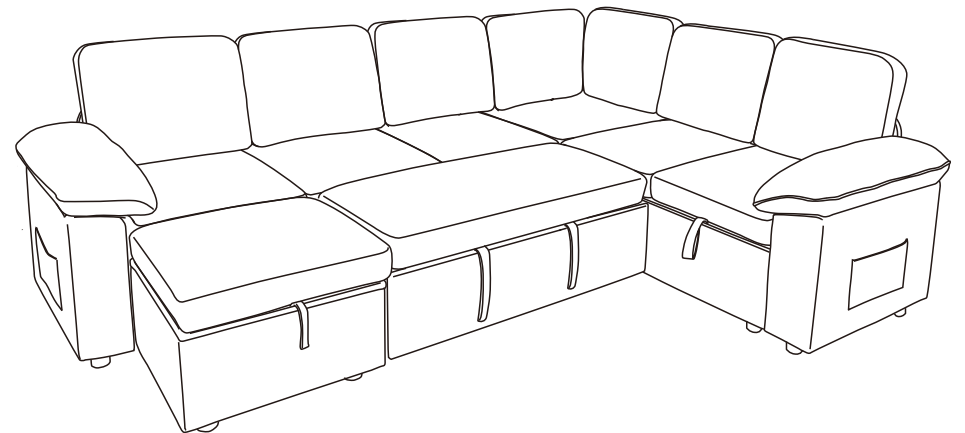
STEP 5



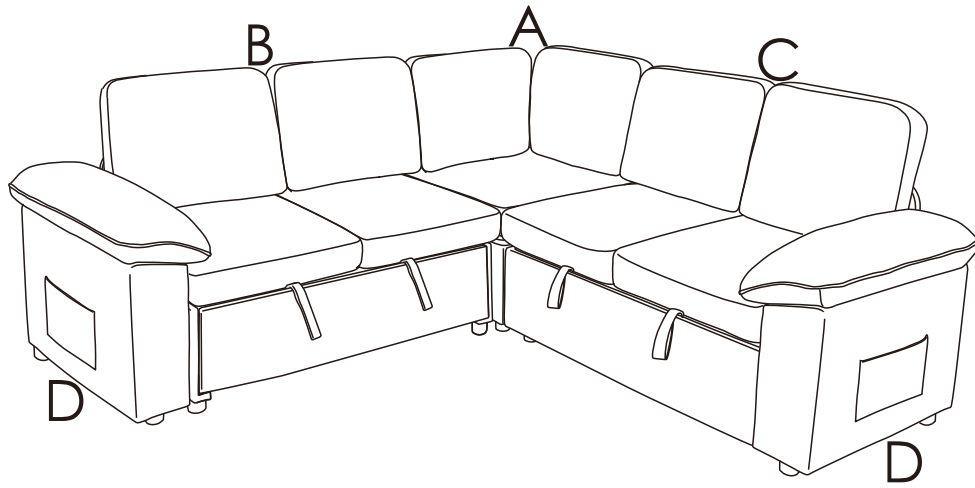
STEP 6



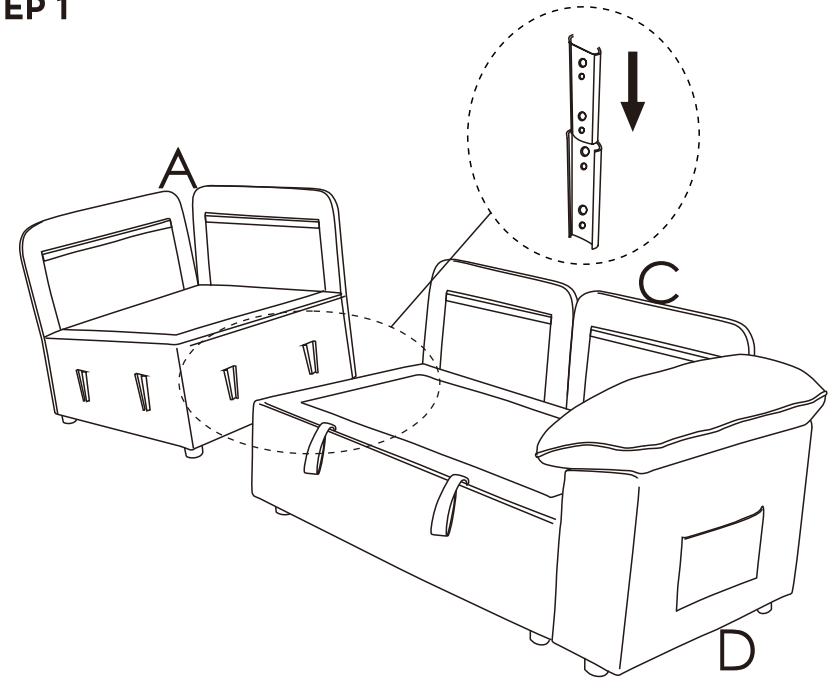
STEP 7



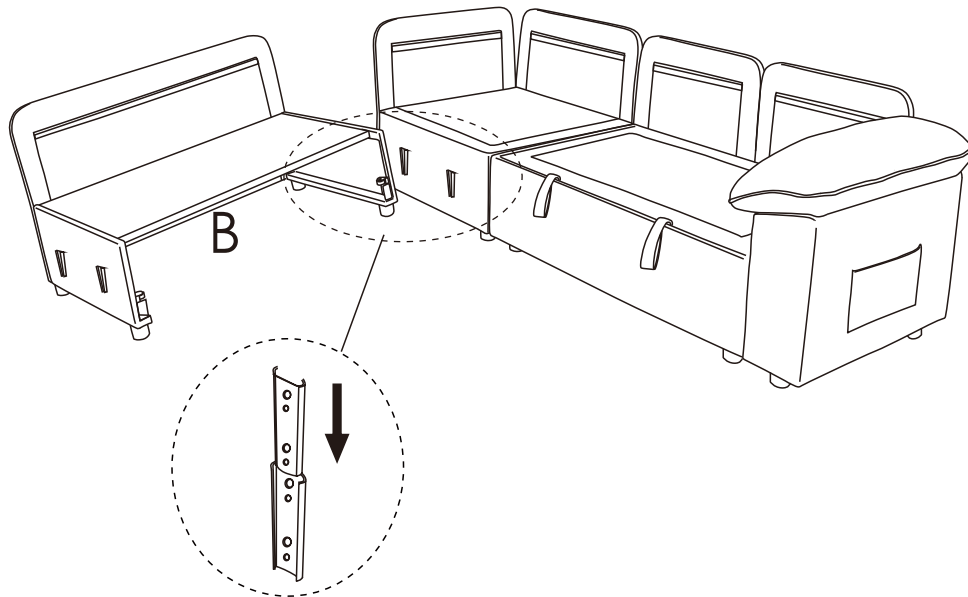
Combine 5-Seat



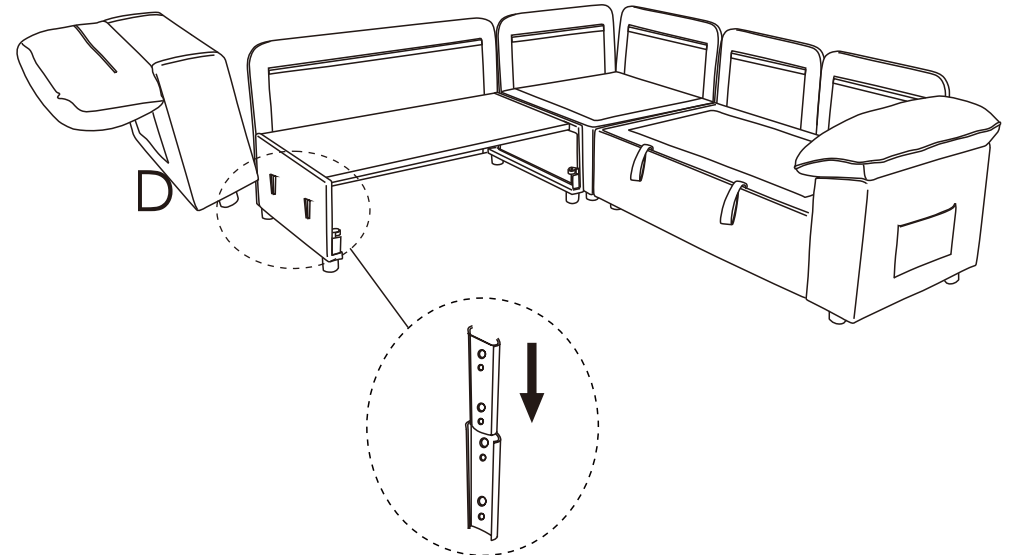
STEP 1



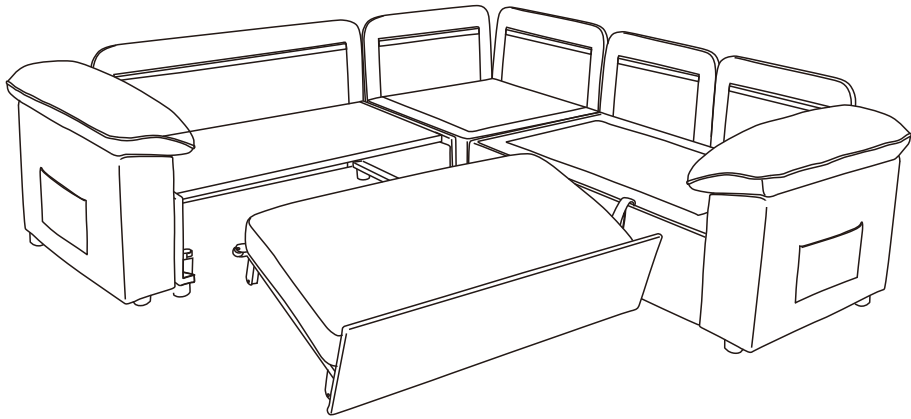
STEP 2



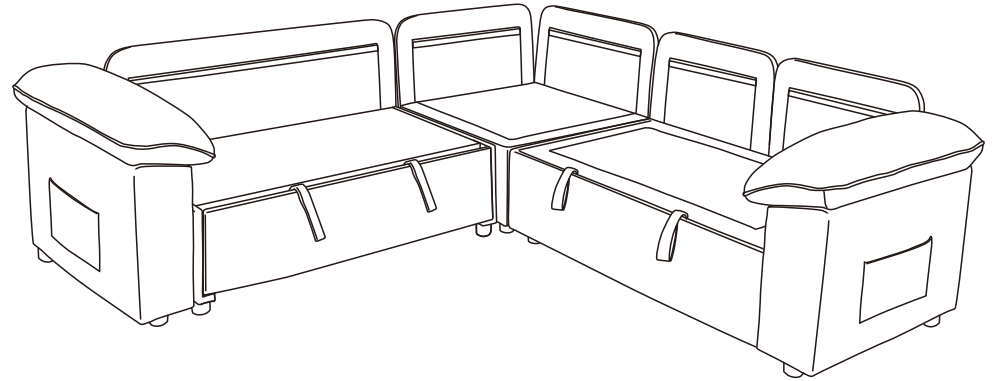
STEP 3



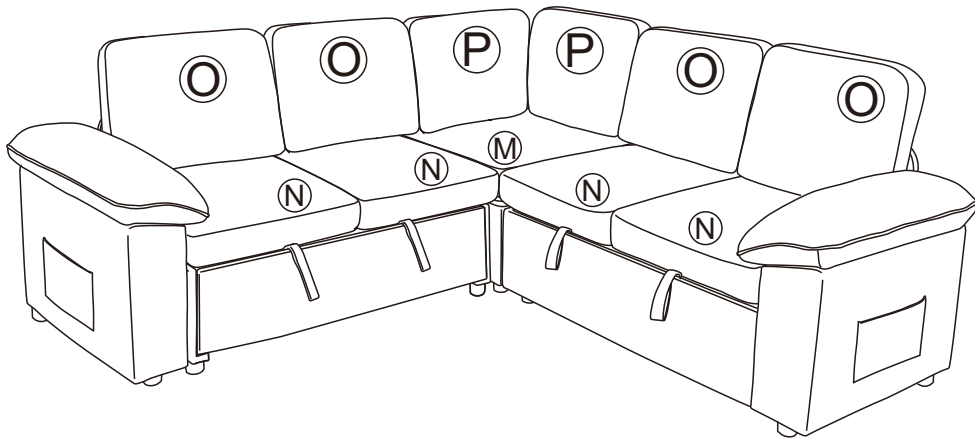
STEP 4



STEP 5



STEP 6



STEP 7

