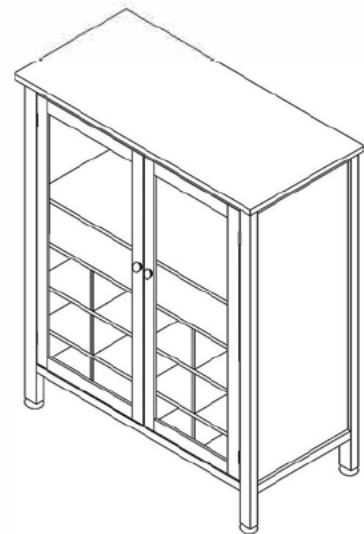


ASSEMBLY INSTRUCTIONS

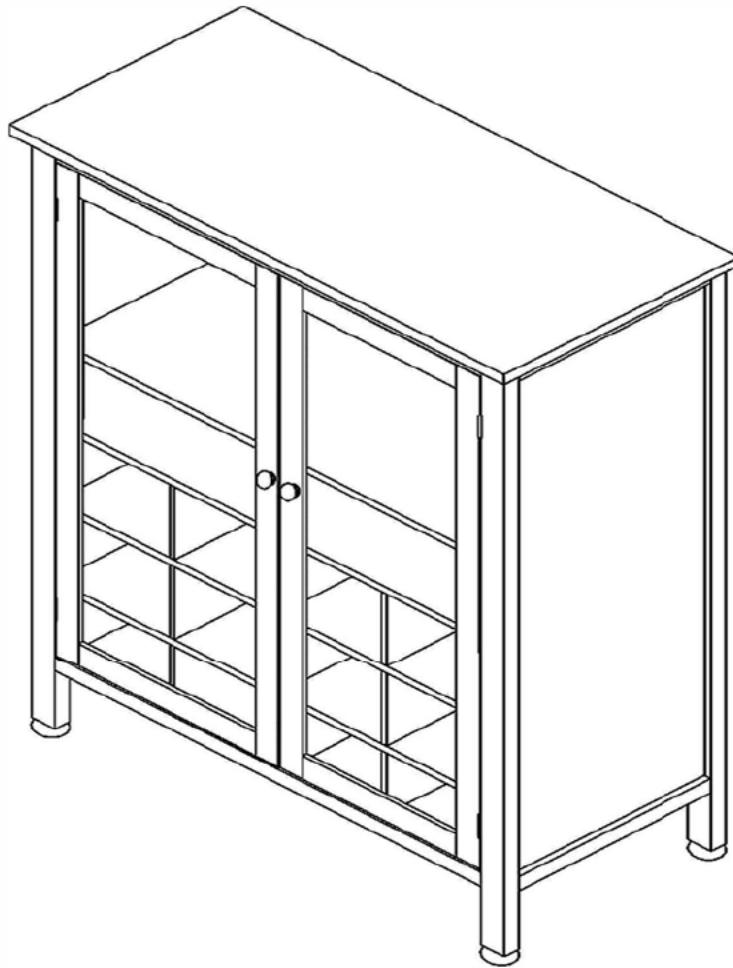
Liquor Cabinet

Additional details:

- Tools required: N0.2 Philips Head Screwdriver.
- Do not throw away any packaging material until assembly is complete.
- Assemble product on a soft surface so as not to scratch or damage the surface.
- For easy of assembly, 2 people are recommended.
- Keep all small parts away from children.



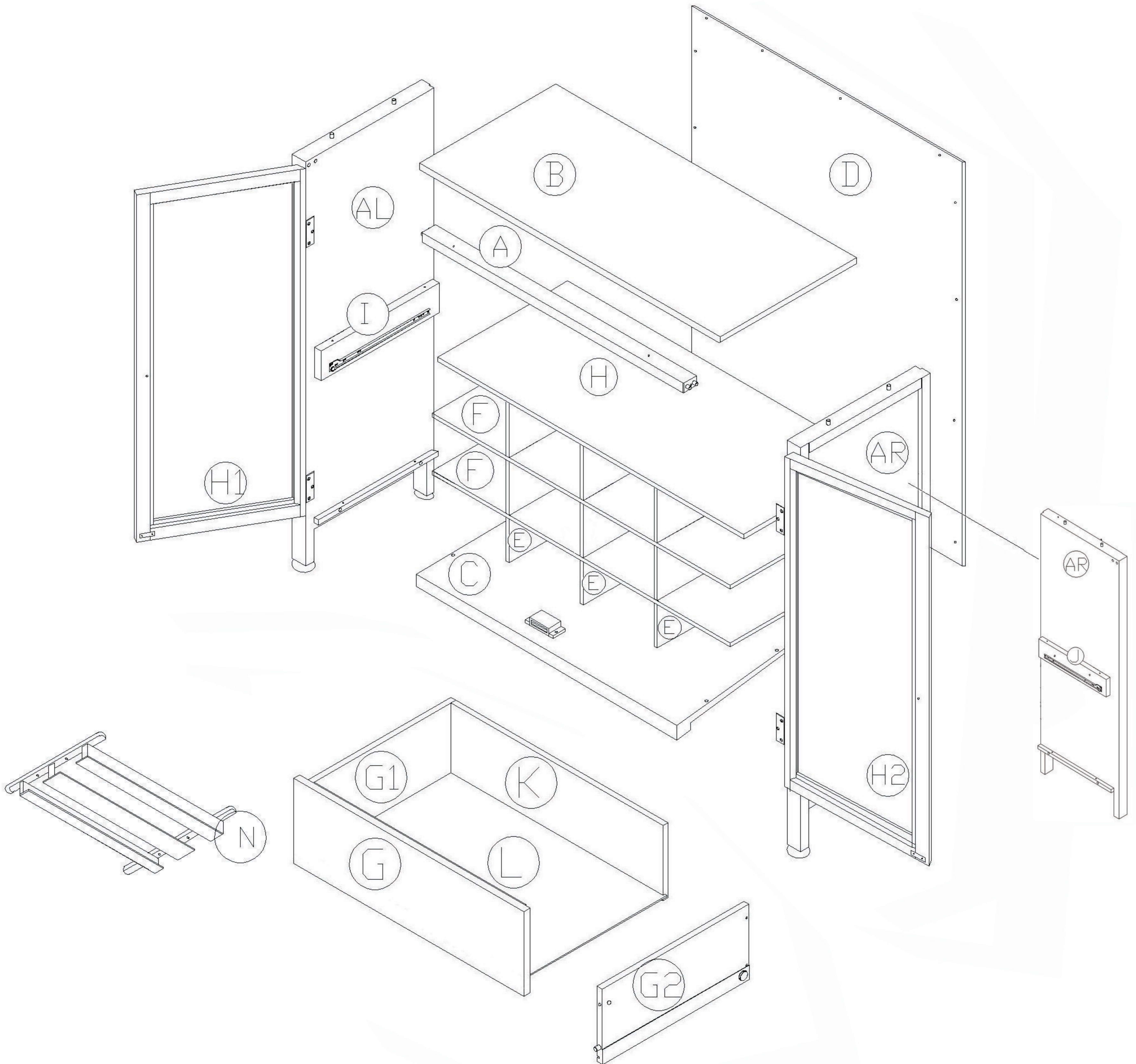
ASSEMBLY GUIDE



Note: This instruction booklet contains important safety information, please read and keep for future reference.

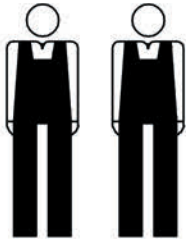
PARTS IDENTIFICATION

- Ensure that all parts and components are located before beginning assembly. Parts are labeled to help distinguish similar parts from each other. Use this PARTS IDENTIFICATION sheet to help identify similar parts.
- Assemble on a soft surface to prevent damage to the product finish.
- Two people are needed for assembly.
- Estimated assembly time is approximately 2.5 hours.

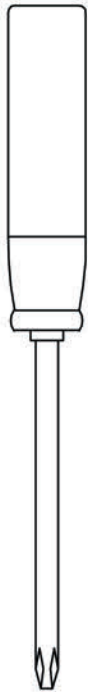


(AL) LEFT SIDE PANEL: 1PC (AR) RIGHT SIDE PANEL: 1PC (A) BAR: 1PC (B) COVER BOARD: 1PC (C) BOTTOM BOARD: 1PC (D) BACK PANEL: 1PC (E) BOARD: 3PCS (F) BOADR: 2PCS (G) DRAWER FRONT PANEL: 1PC (G1) DRAWER LEFT SIDE PANEL: 1PC (G2) DRAWER RIGHT SIDE PANEL: 1PC (H) SHELF: 1PC (N) RAIL: 1PC (K) DRAWER BACK PANEL: 1PC (L) DRAWER BOTTOM PANEL: 1PC (H1) LEFT DOOR: 1PC (H2) RIGHT DOOR: 1PC (I) LEFT RAIL PANEL: 1PC (J) RIGHT RAIL PANEL: 1PC

HARDWARE IDENTIFICATION

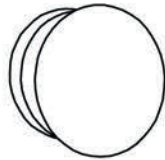


TOOL REQUIRED

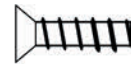


PHILLIPS HEAD
SCREWDRIVER

(1) DOOR KNOB :2pcs



(2) MACHINE SCREW M4X16
:2pcs



(3) FLAT HEAD SCREW ST2.5X12
:30pcs



(4) FLAT HEAD SCREW ST4X25
:22pcs



(5) CAM BOLT:2pcs



(6) CAM LOCK:2pcs



(7) PLASTIC CAP :2pcs



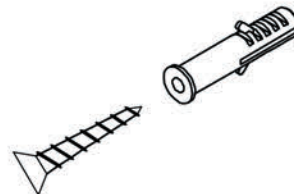
(8) FLAT HEAD SCREW ST3.5X40
:2pcs



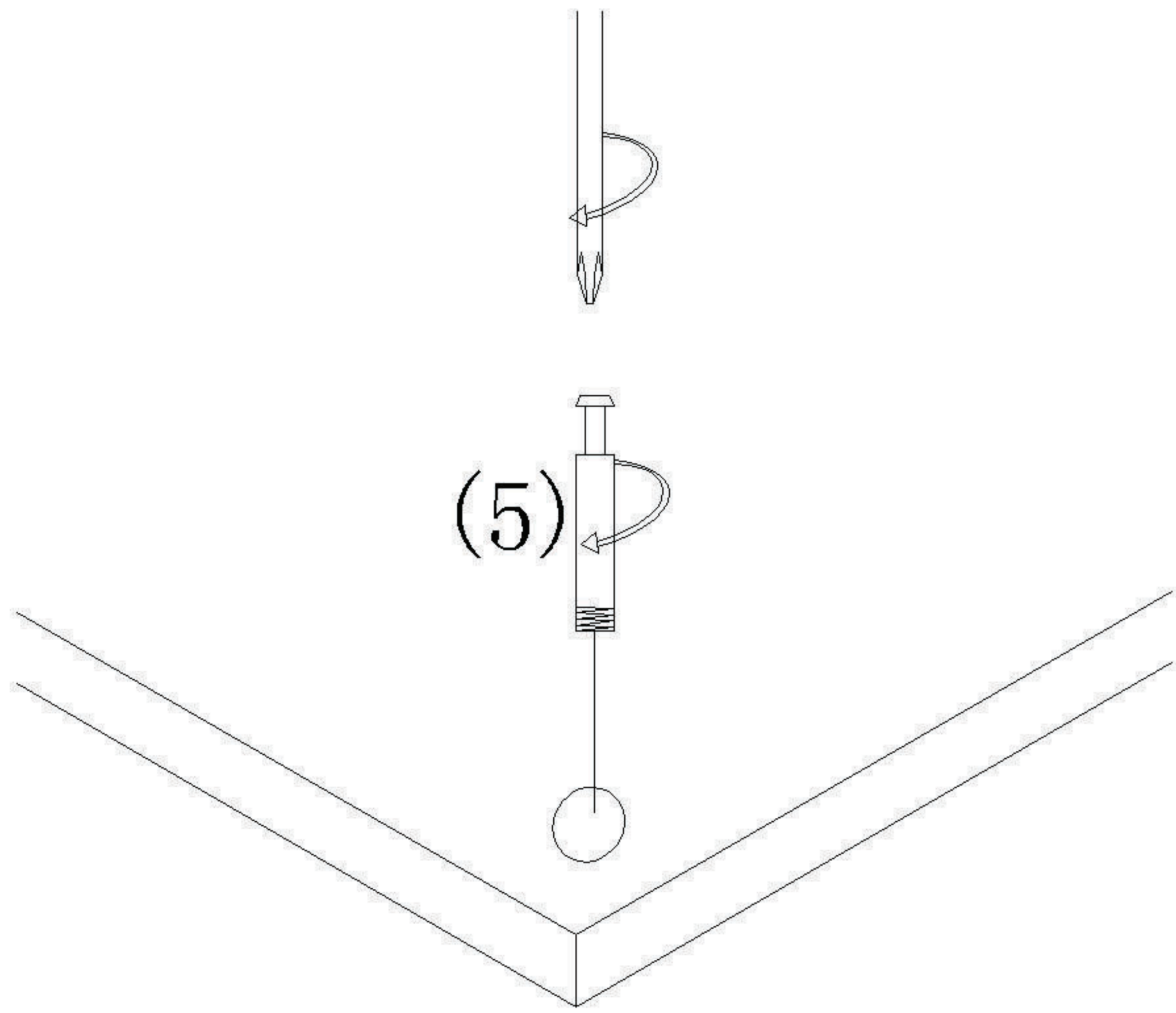
(9) NUT :8pcs



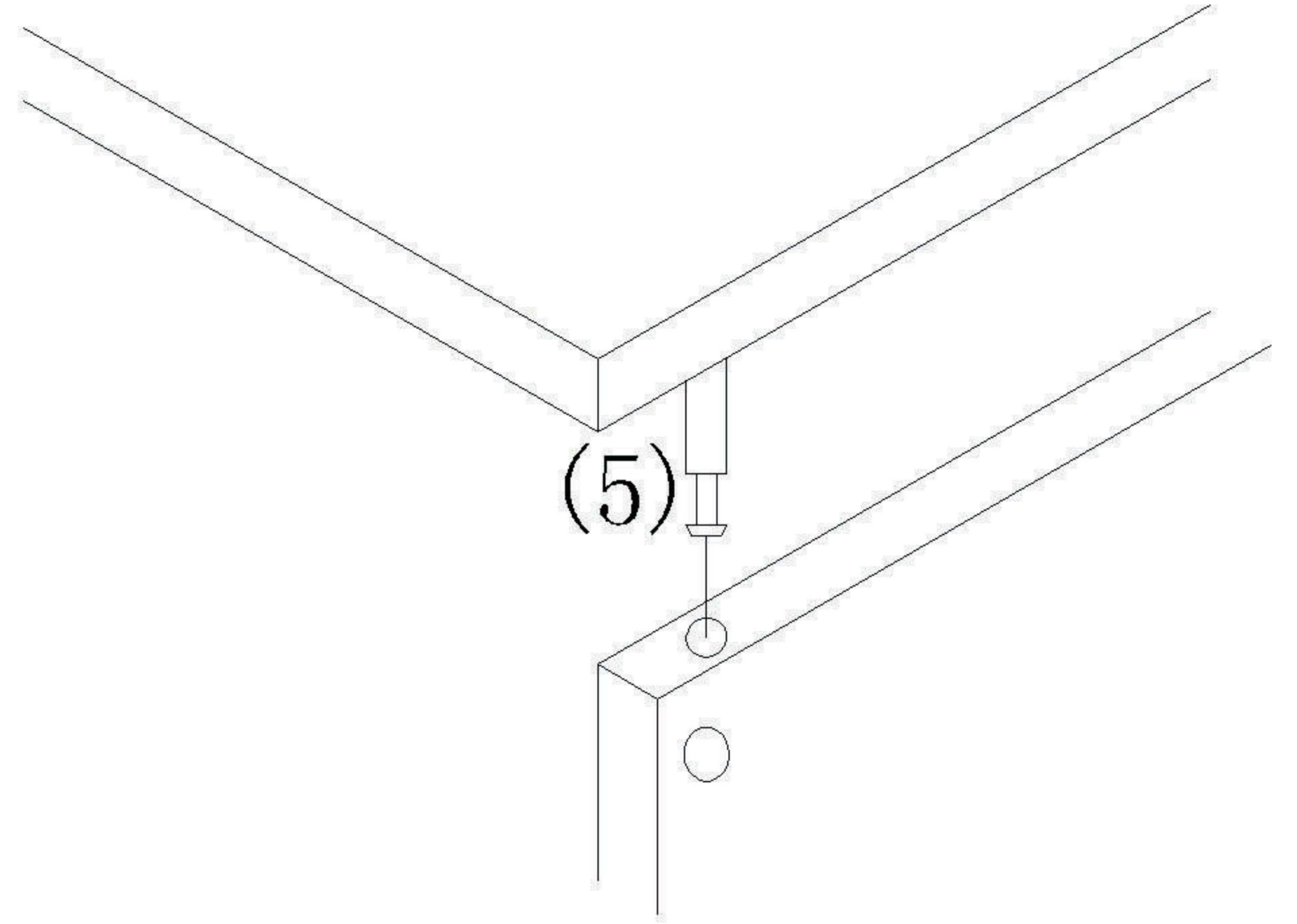
(10) PLASTIC ANCHOR :8pcs



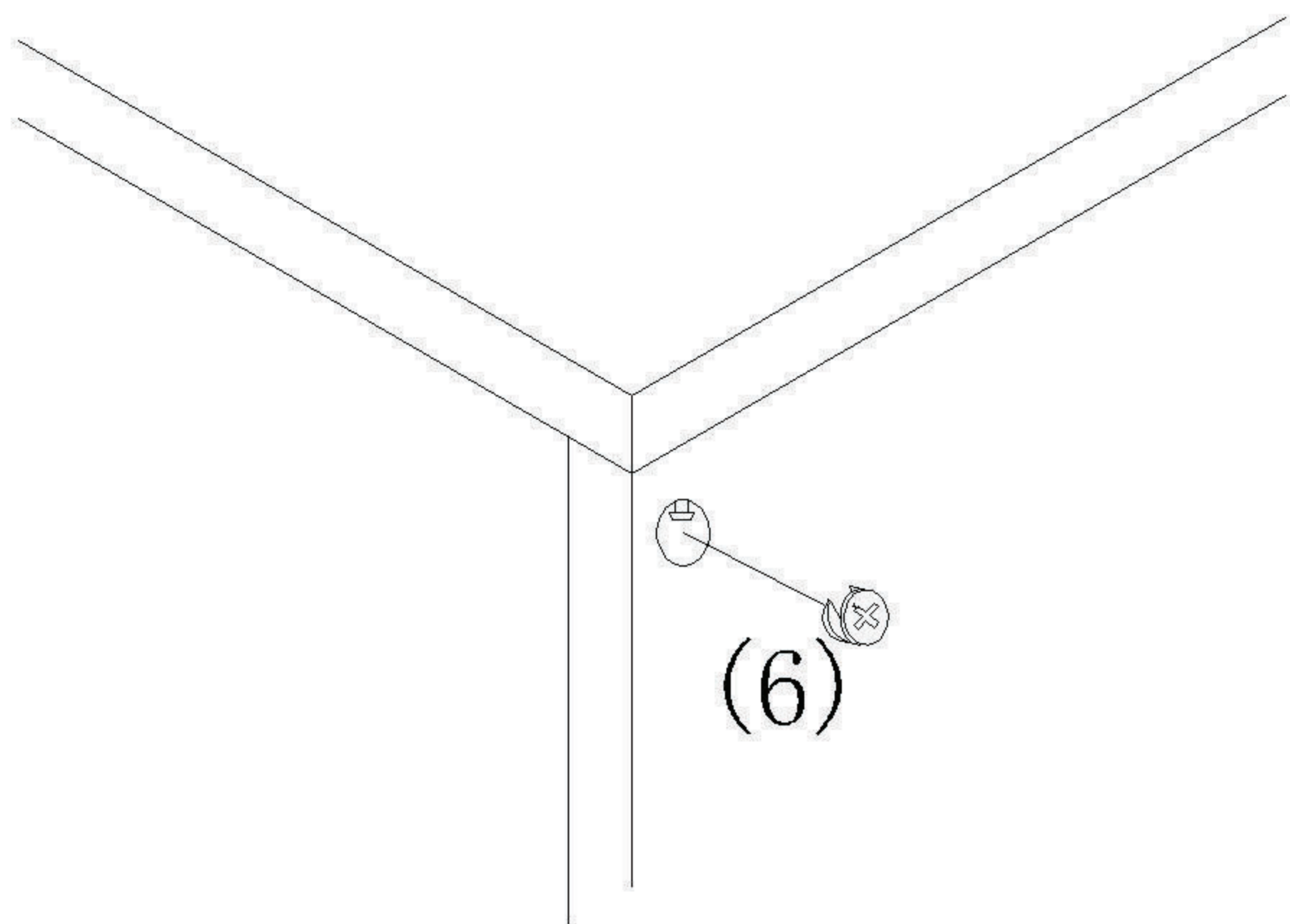
CAM LOCK SYSTEM



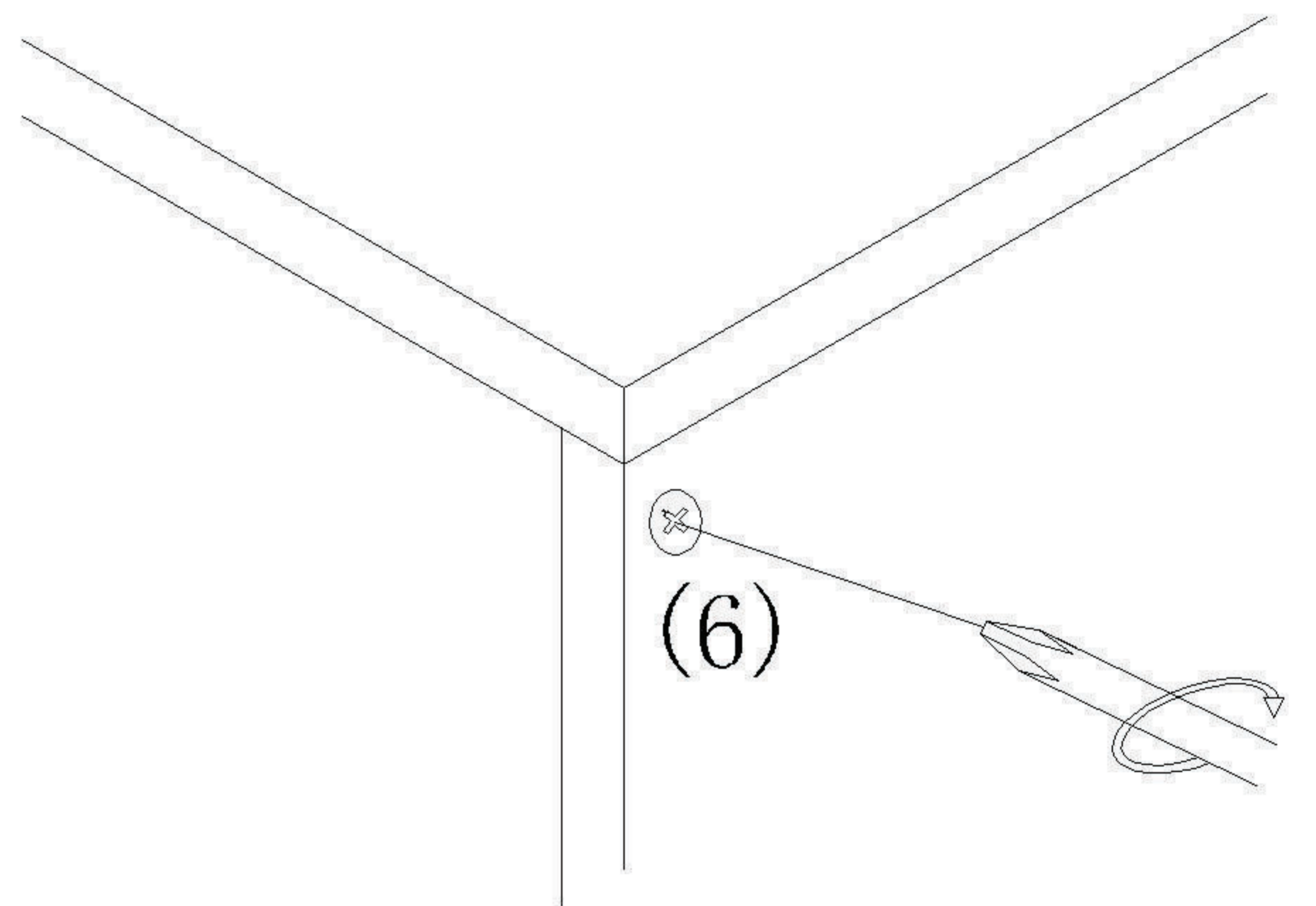
(1)



(2)



(3)

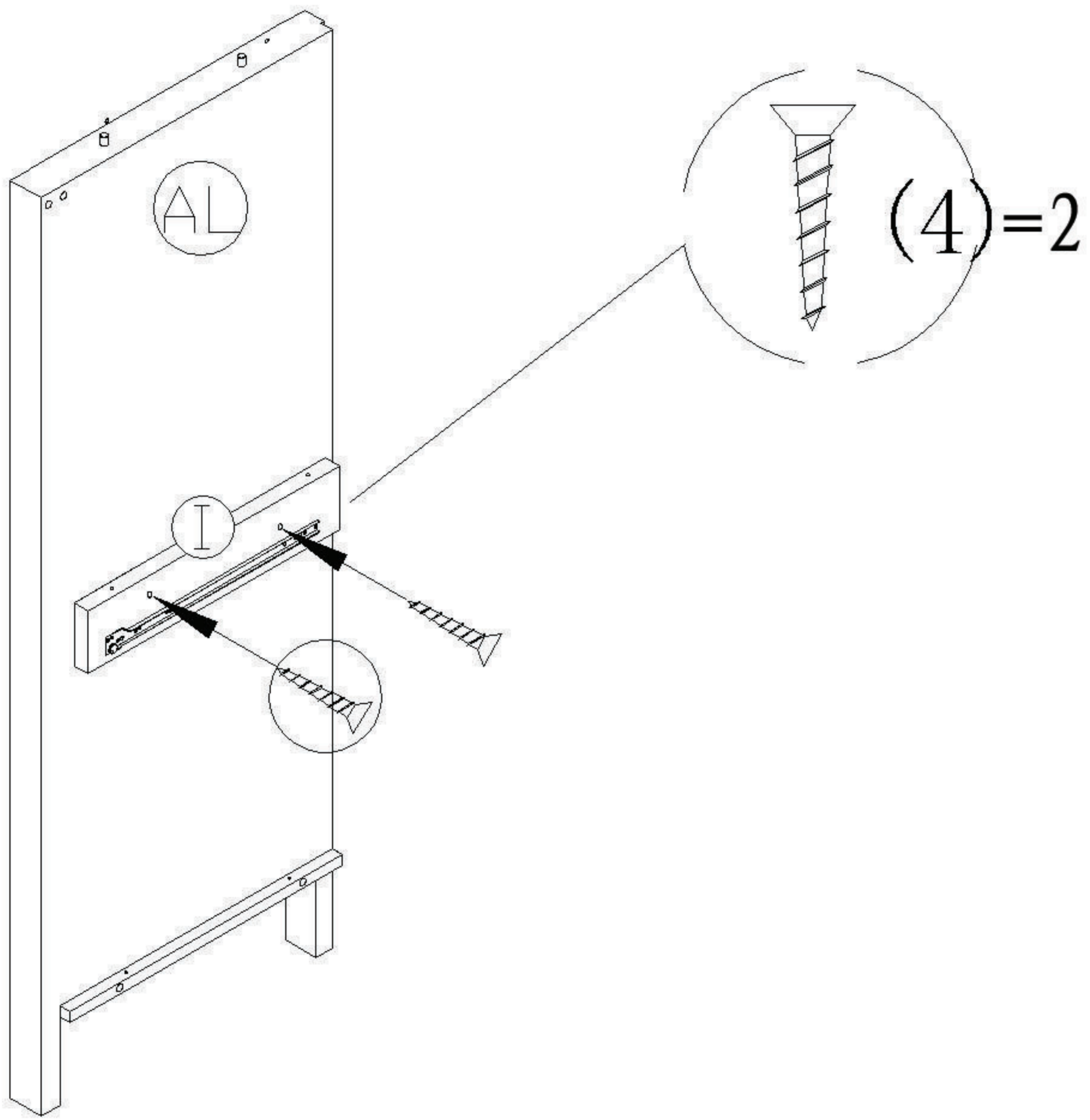


(4)

Ensure parts of cabinet connect securely, adjust cam bolt by pushing or pulling during assembly.

(4) FLAT HEAD SCREW ST4X25:2pcs  

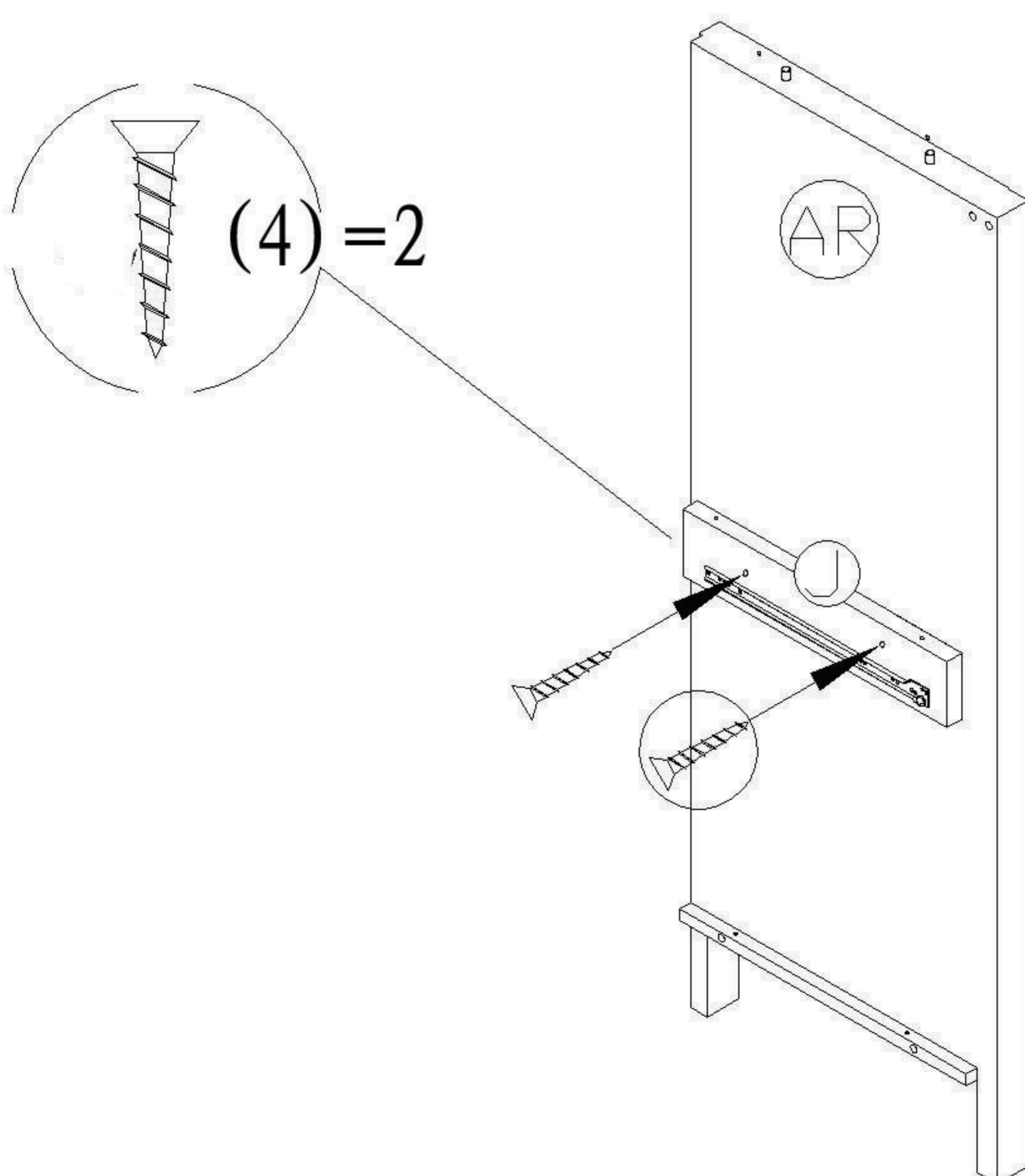
1. Fasten left rail panel I to left panel AL, using 2 screw (4).









NO. 1

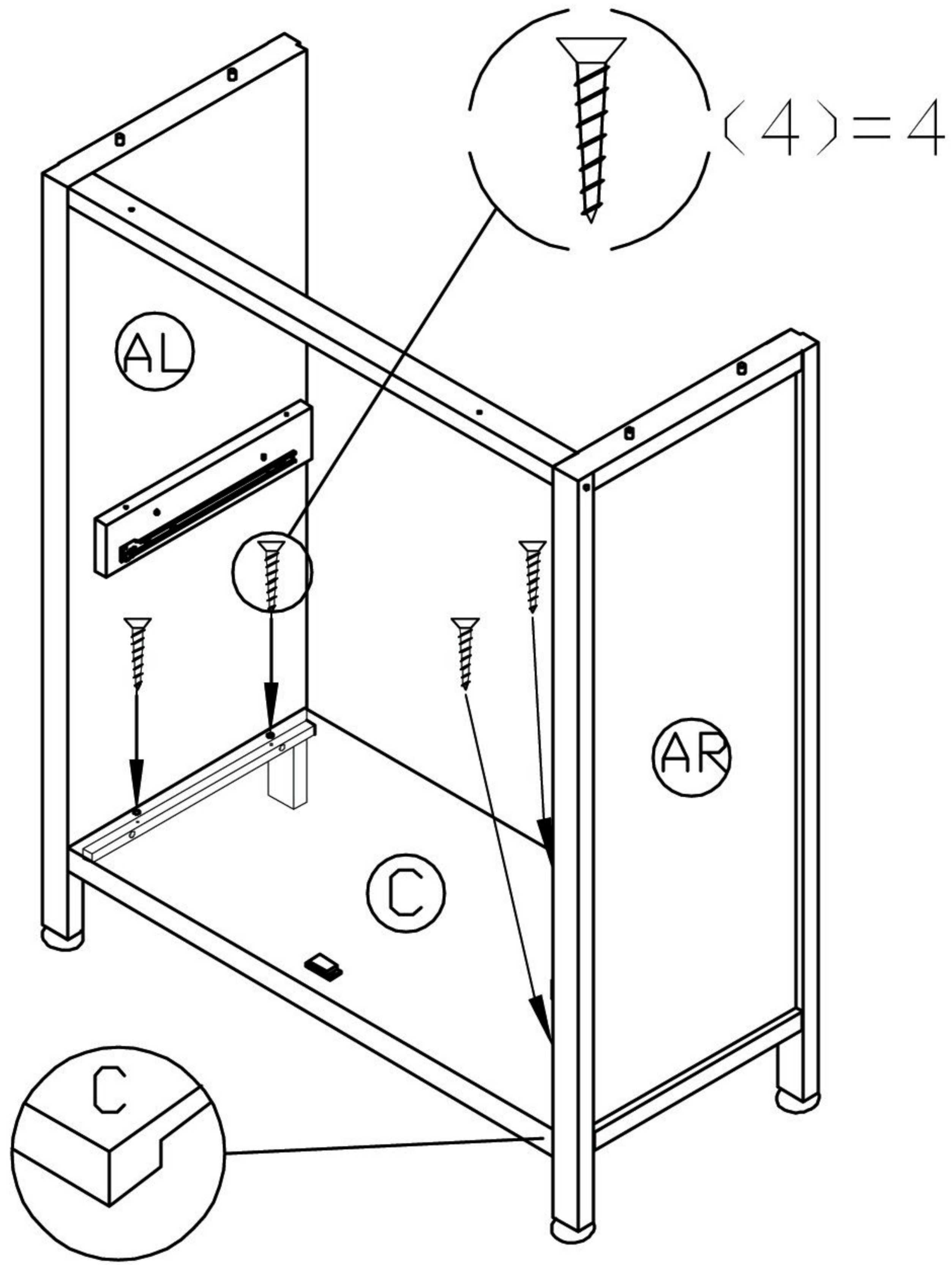
(4) FLAT HEAD SCREW ST4X25:2pcs  

2. Fasten right rail panel J to right side panel AR, using 2 screw (4).



NO. 2

<p>The side with hole on nut should face to panel</p> <p>(7)=1</p> <p>(8)=1</p> <p>(9)=1</p> <p>NO. 3</p>	<p>(8) FLAT HEAD SCREW ST3. 5X40  1PCE</p> <p>(7) OLASTCI CAP: 1PCE </p> <p>(9) NUT: 1PCE </p> <p>3. Fasten bar A to right panel AR using 1 flat head screw (8) and nut (9), then insert plastic cap (7)</p> <p>Note: The bigger screw holes on the bar should face down</p>
<p>(7)=1</p> <p>(8)=1</p> <p>(9)=1</p> <p>NO. 4</p>	<p>(8) FLAT HEAD SCREW ST3. 5X40  1PCE</p> <p>(7) OLASTCI CAP: 1PCE </p> <p>(9) NUT: 1PCE </p> <p>4. Fasten bar A to left panel AL using 1 flat head screw (8) and nut (9), then insert plastic cap (7)</p>

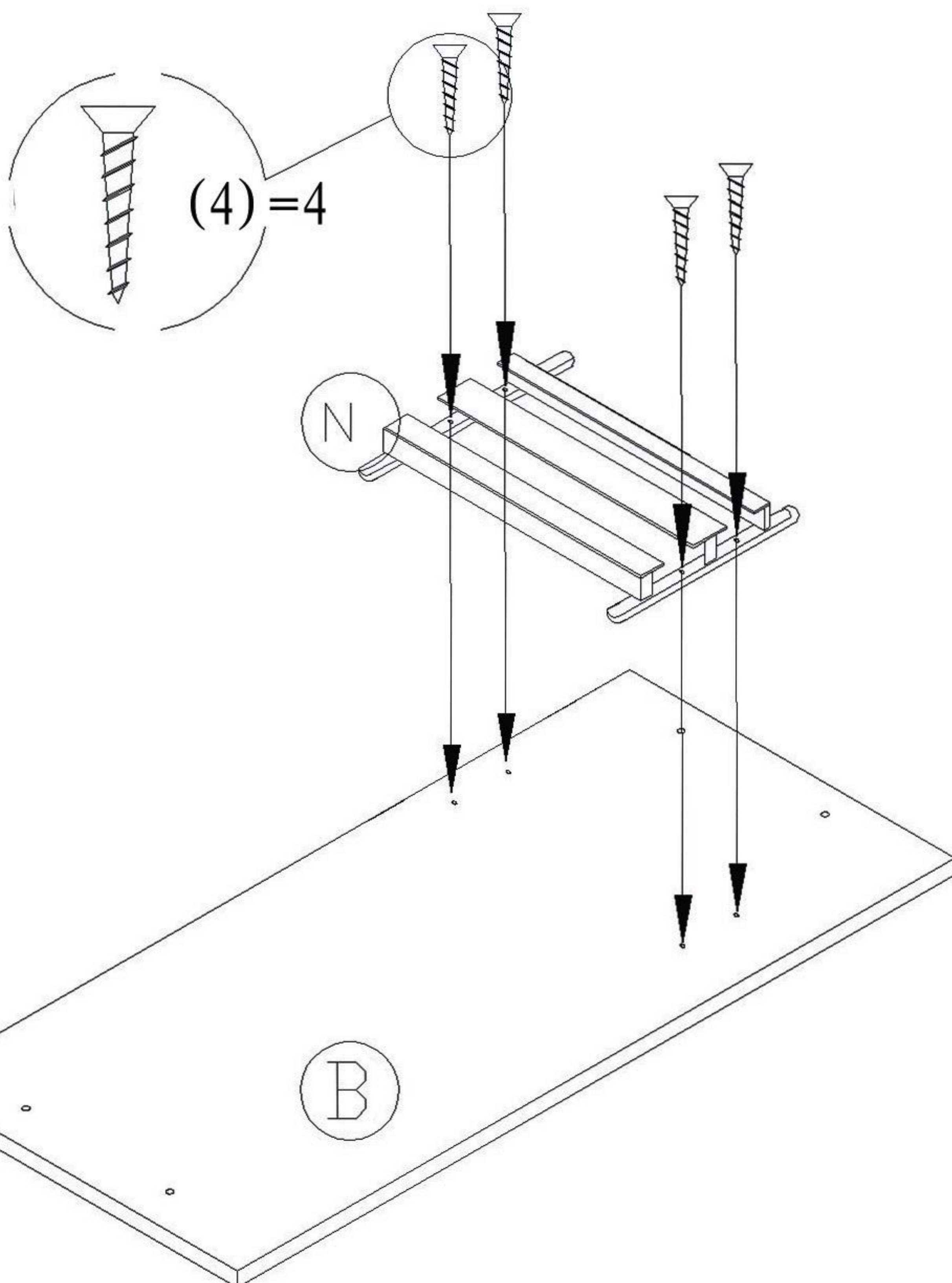


Pay attention to the direction of board C.

NO. 5

(4) FLAT HEAD SCREW ST4X25:4pcs 

5. Fasten bottom board C to left panel AL and right panel AR using 4 flat head screw (4).

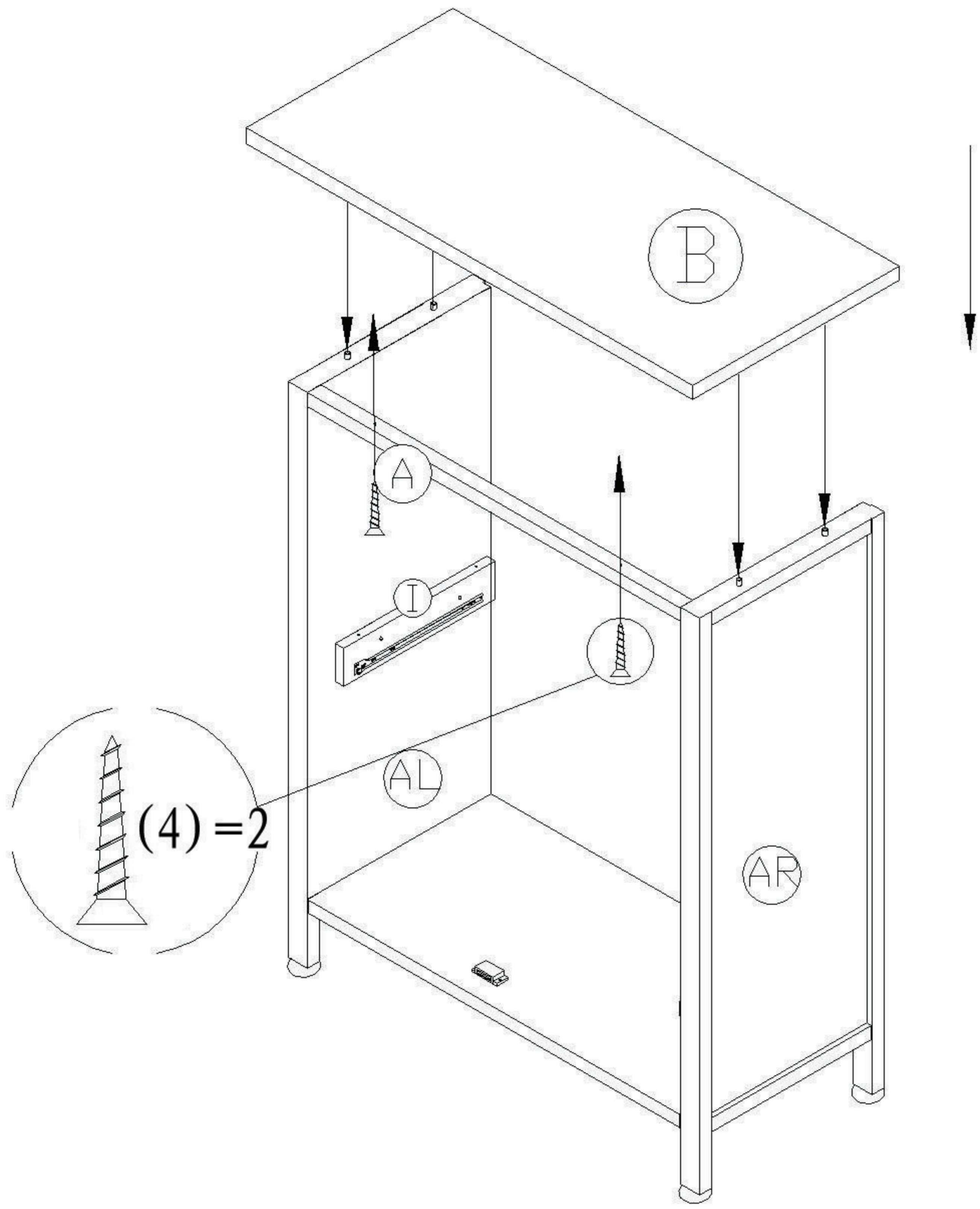


NO. 6

(4) FLAT HEAD SCREW ST4X25:4pcs 

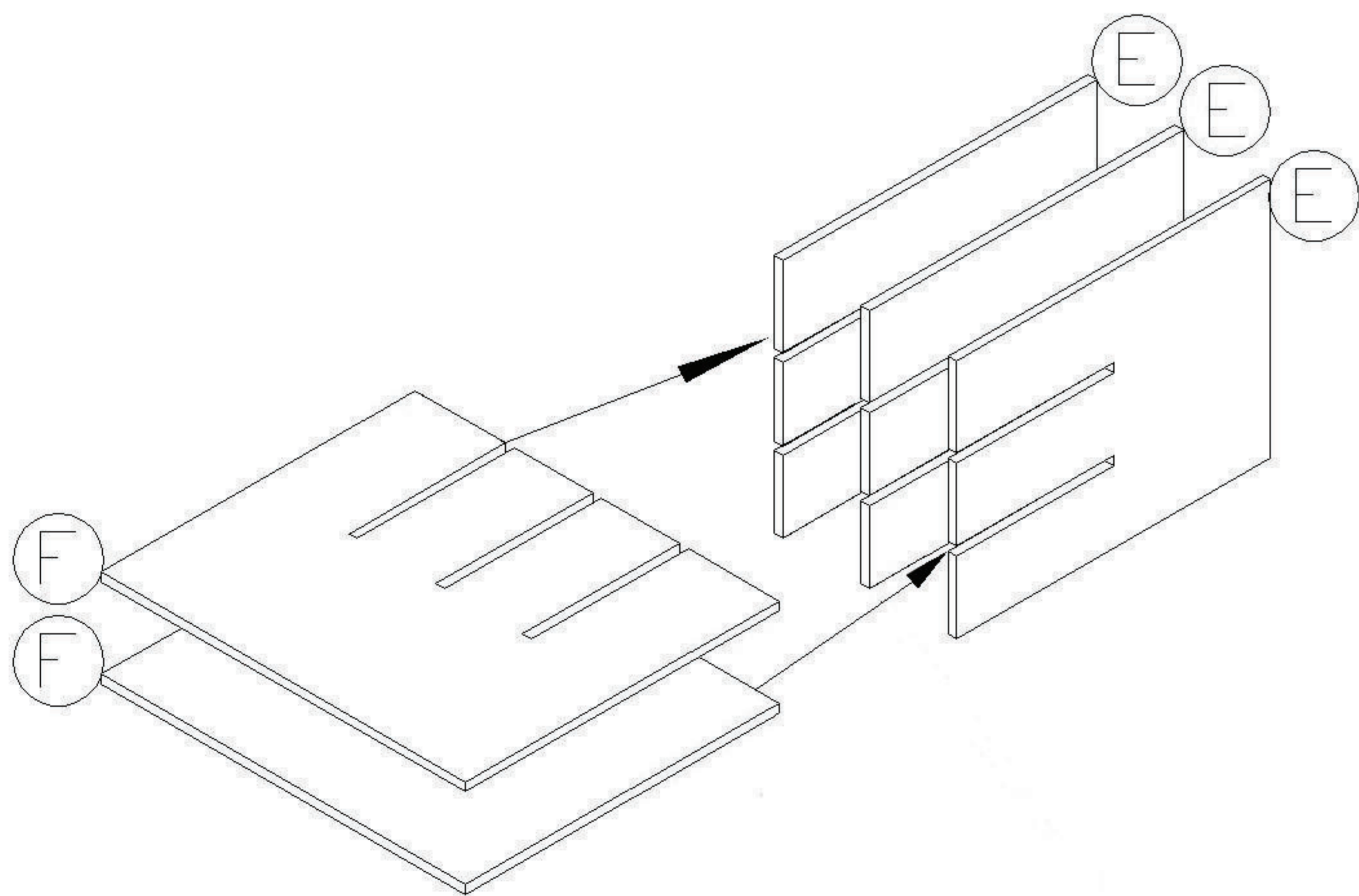
6. Fasten rail N to cover board B, using 4 screw (4).

(4) FLAT HEAD SCREW ST4X25:2pcs 



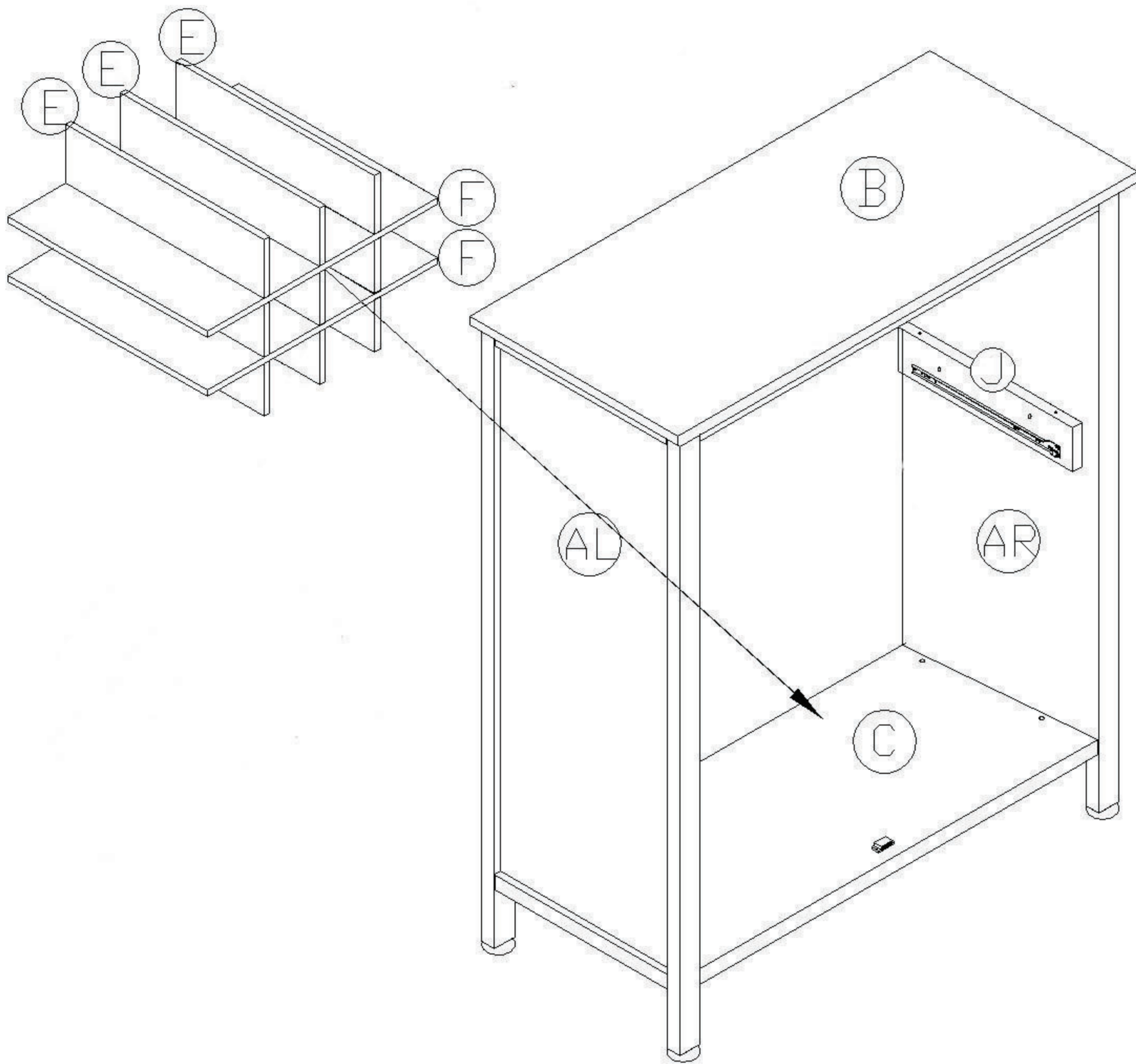
7. Put cover board B on side panel AL&AR. then fasten cover board B to bar A using 2 screw (4).

NO. 7



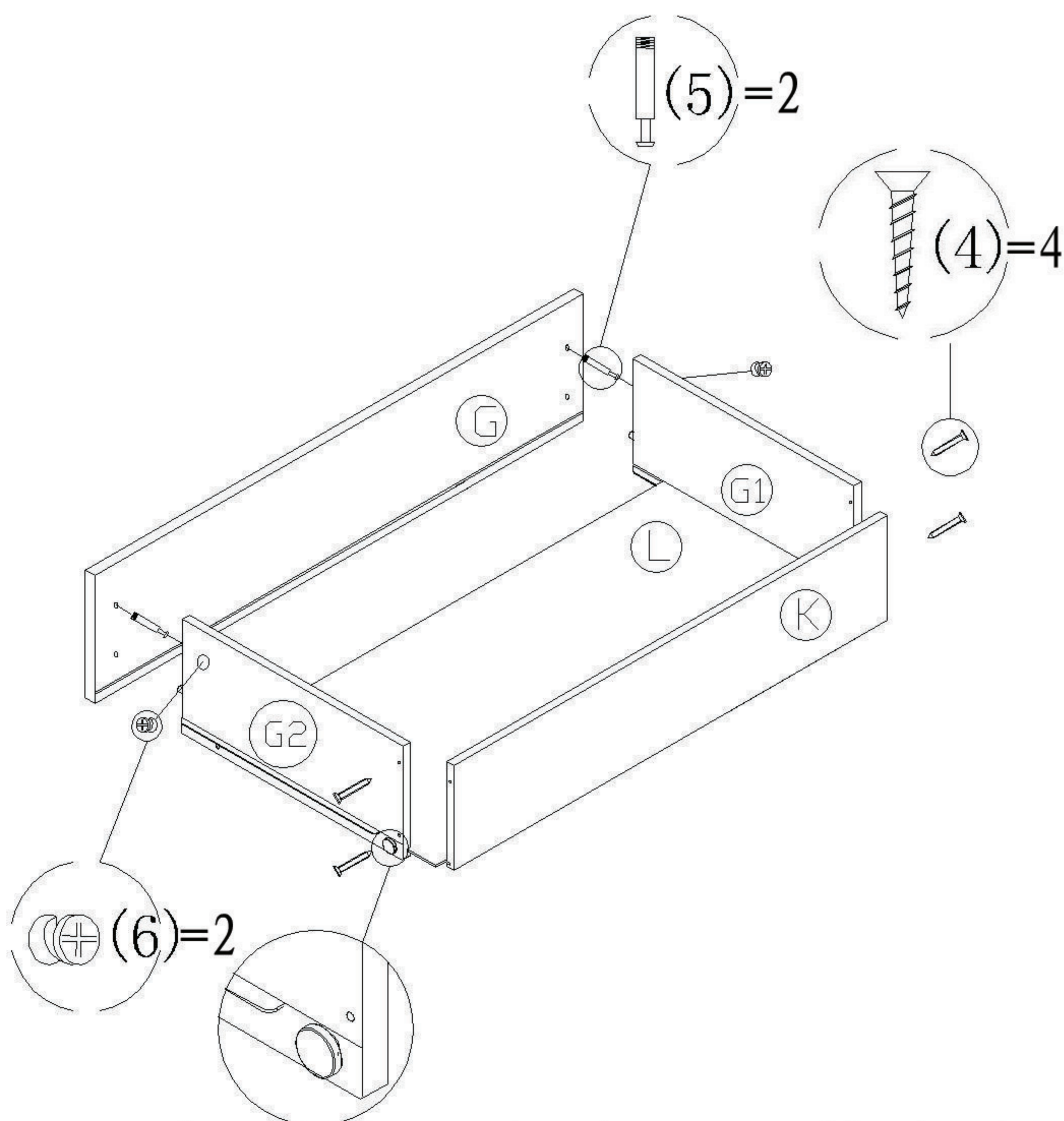
8. Insert 2 board F to 3 board E.

NO. 8



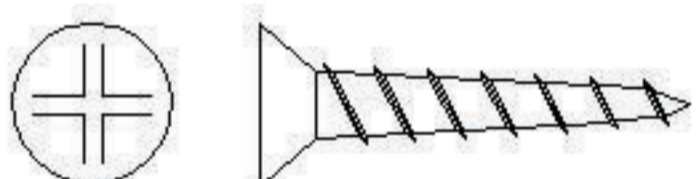
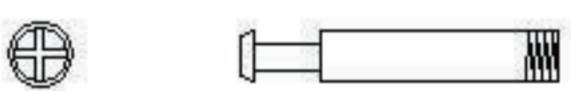

NO. 9

9. Put E, F on bottom board C from the back of the cabinet.

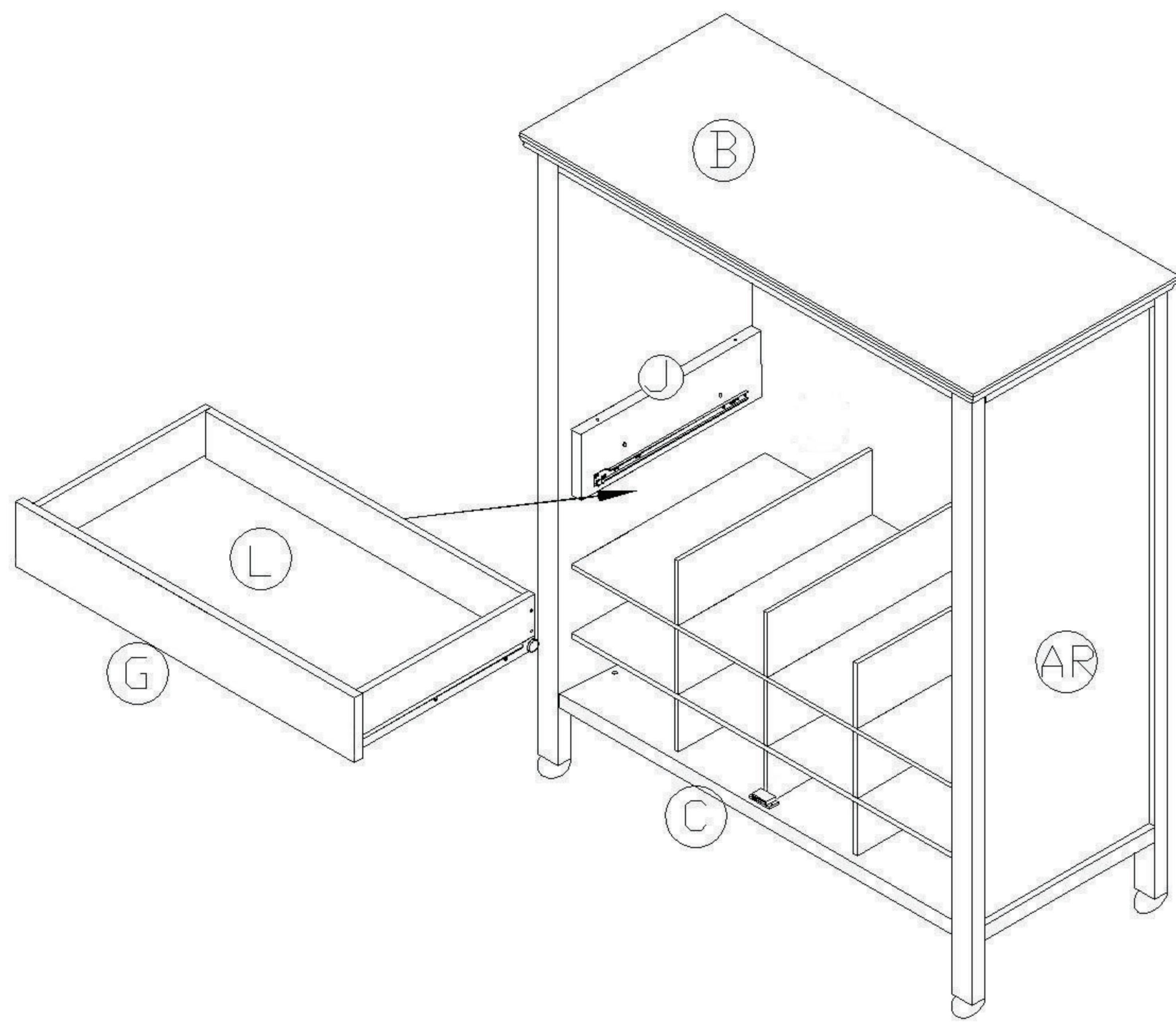


Note: The wheel on the drawer rail should be near to back panel K.

NO. 10

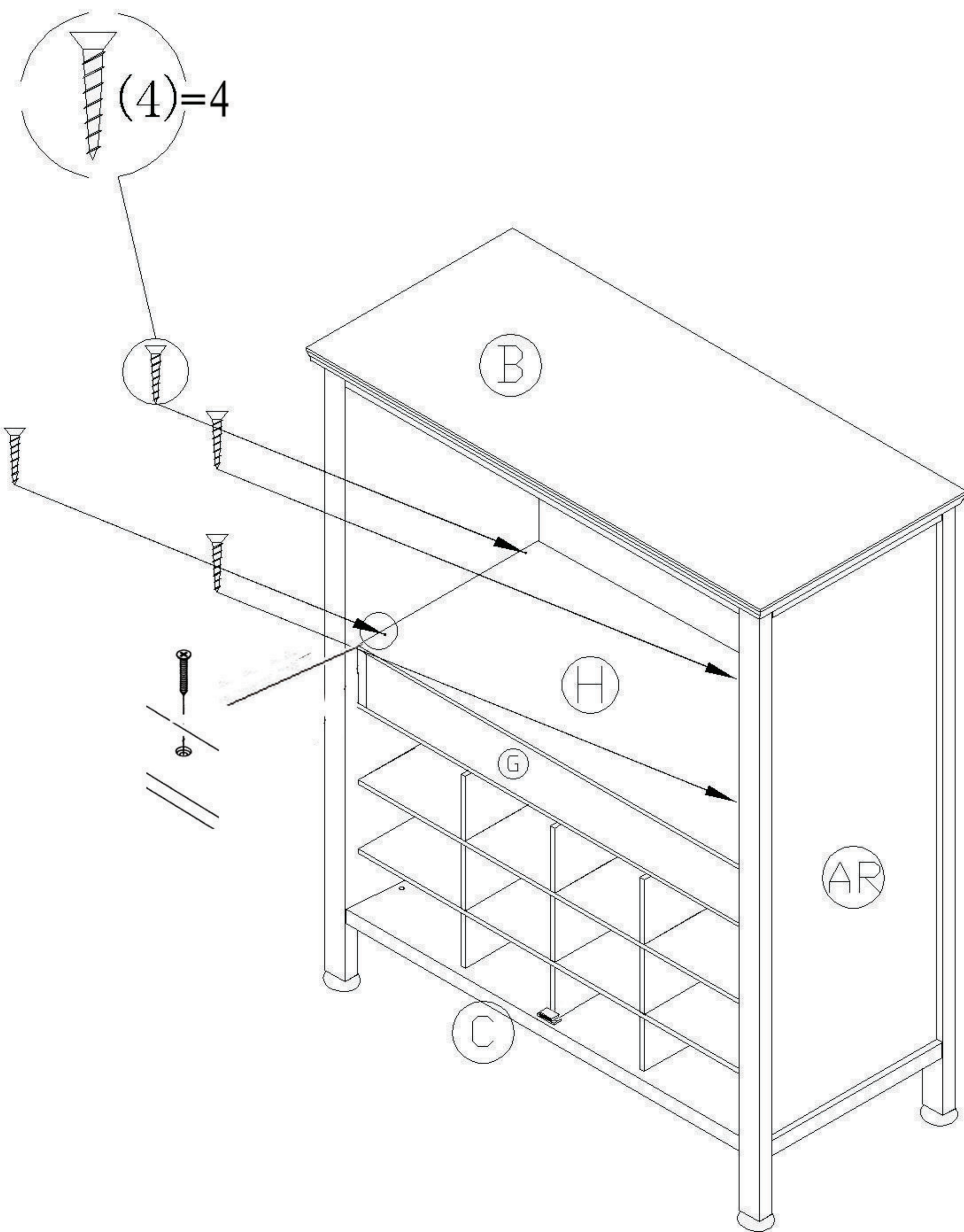
- (4) FLAT HEAD SCREW ST4X25:4pcs 
- (5) CAM BOLT:2pcs 
- (6) CAM LOCK:2pcs 

10. a) Screw 2 cam bolt (5) to drawer front panel G.
- b) Insert cam bolt (5) to the drawer side panel G1 & G2, then insert 2 cam lock (6) in the holes on side panel G1 & G2, turn them clockwise until locked tightly.
- c) Slide drawer bottom panel L into place.
- d) Fasten drawer back panel K to side panel G1 & G2, using 4 screw (4).



NO. 11

11. Slide drawer into place.

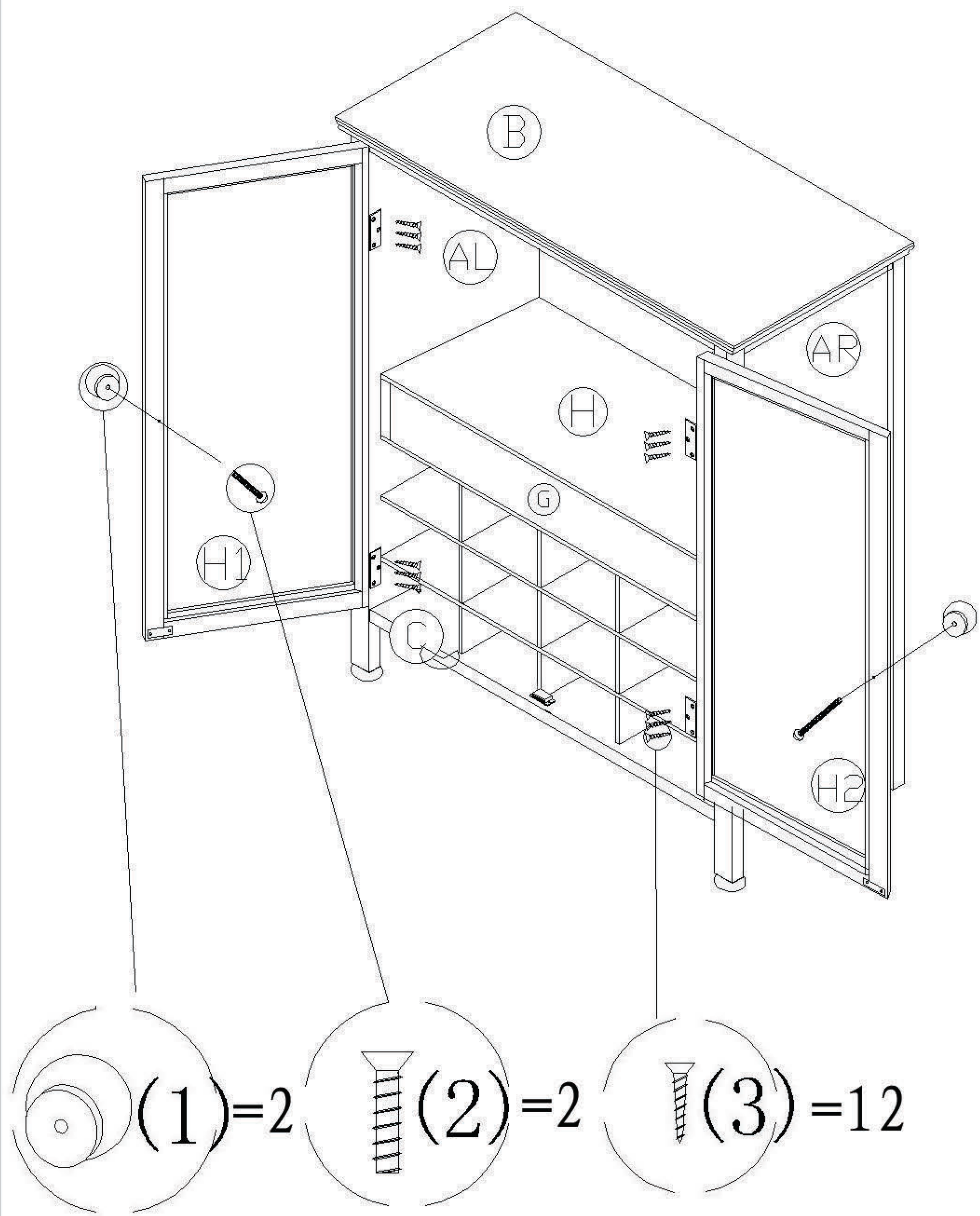


NO. 12

(4) FLAT HEAD SCREW ST4X25:4pcs  

12. Put shelf H on board I & J, fasten shelf H to board I & J using 4 screw (4).

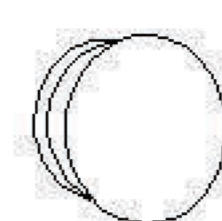
Note: The bigger screw holes on the shelf should face up.



NO. 13

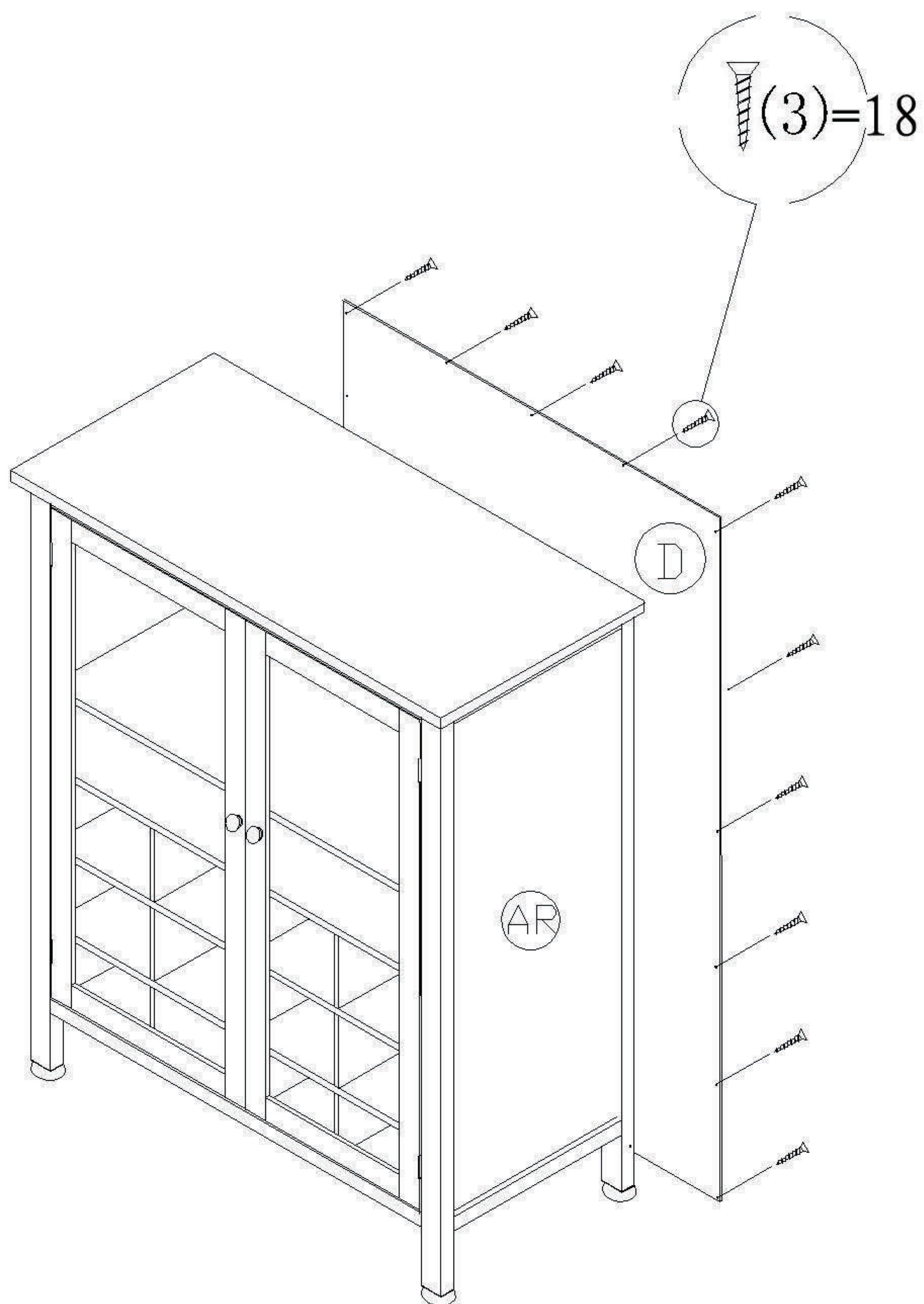
(3) FLAT HEAD SCREW ST2.5X12:12pcs 

(2) MACHINE SCREW M4X16:2pcs 

(1) DOOR KNOB :2pcs 

13. Fasten door H1&H2 to side panel AL & AR, using 12 screw (3). Fasten 2 door knob (1) to door H1 & H2, using 2 screw (2).

Note: Do not fully tighten the screws until all the screws have been attached.

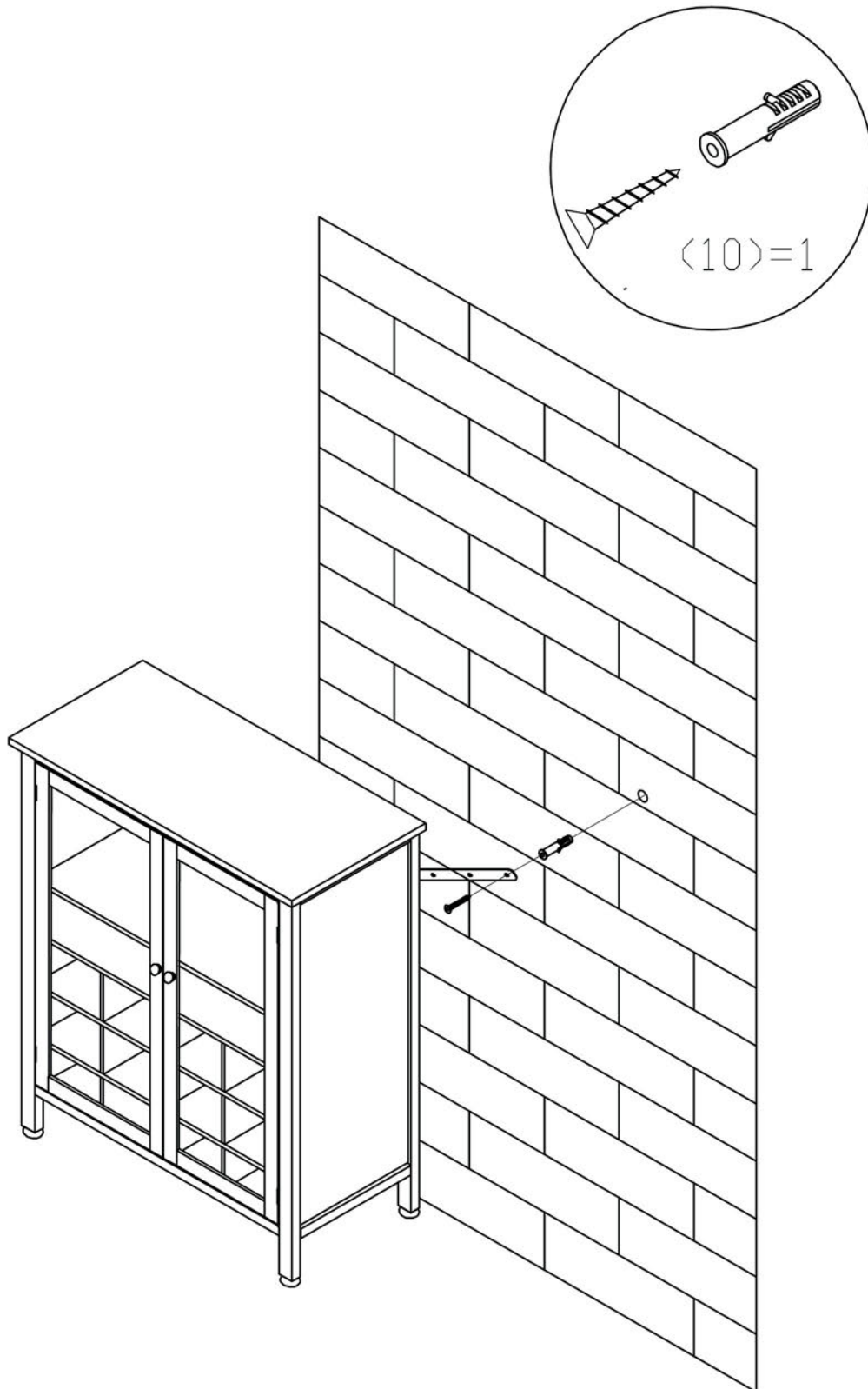


NO. 14

(3) FLAT HEAD SCREW ST2.5X12:18pcs

14. Fasten back panel D to cover board B, side panel AL & AR, bottom board C, using 18 screw (3).

Note: Do not fully tighten the screws until all the screws have been attached.



15. As an added safety feature 1 support strap on right panel AR has been provided, it must be attached to the wall, using plastic anchor (10).