

NOTICE

- * Please make sure that you have all parts indicated and are in good condition before you begin assembly of this item. Refer to part list and hardware list below for guidance .
- * This item should be assembled on a soft surface to prevent scratching the finish during assembly.
- * This item may require periodic tightening.
- * If you are having difficulty, our friendly customer care team is always here to help .

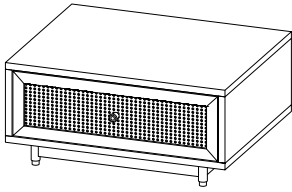
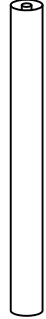
PREPARATION

- * Before beginning assembly of product , make sure all parts are present . Compare parts with parts contents list and hardware contents list.
- * If any part is missing or damaged, do not attempt to assemble the product.
- * Estimated Assembly time : 10 minutes
- * Tools Required for Assembly (included): Allen key

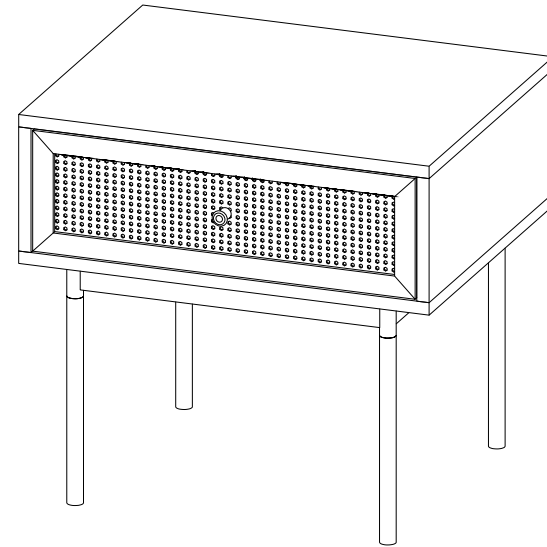
CARE AND MAINTENANCE

- *Spot clean using a mild water-free solvent. Only a professional cleaner should undertake a complete overall cleaning.
- *The use of steam or water-based cleaners may cause excessive shrinking or staining.

Part List and Hardware List

PIECE	DESCRIPTION	PICTURE	QUANTITY
A	Cabinet		1X
B	Leg		4X

Product dimensions: 17.7"L* 15"W*18.9"D



 **WARNING** 

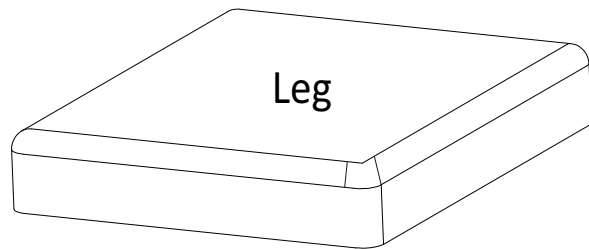
Weight Capacity - 66 LBS

Warning : Do not stand on Nightstand

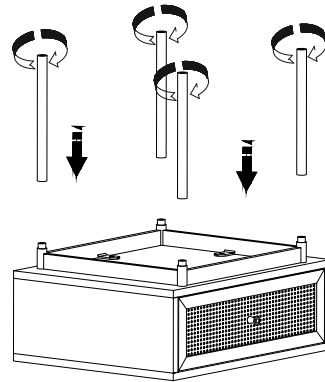
Warning : Do not over torque bolts.

PREPARATION

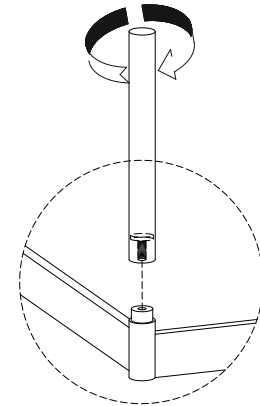
- * Before beginning assembly of product , make sure all parts are present . Compare parts with parts contents list and hardware contents list.
- * If any part is missing or damaged, do not attempt to assemble the product.
- * Estimated Assembly time : 10 minutes
- * Tools Required for Assembly (included): Allen key
- * If you are having difficulty, our friendly Customer Care team is always here to help.



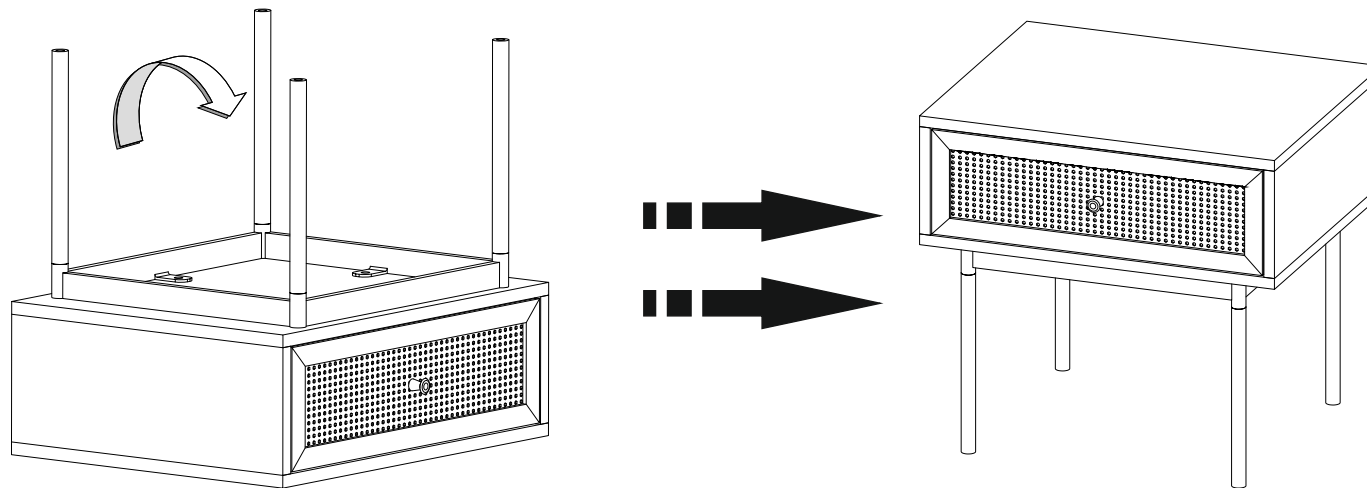
STEP1 Unwrap the legs & take out legs.



STEP2 Place the Nightstand upside down on a clean surface Align legs with all corners of the metal frame.



STEP3 Insert threaded insert into the threaded hole as shown and tighten clockwise.



STEP4 Repeat step 3 for, other side leg, flip the nightstand upright with help.