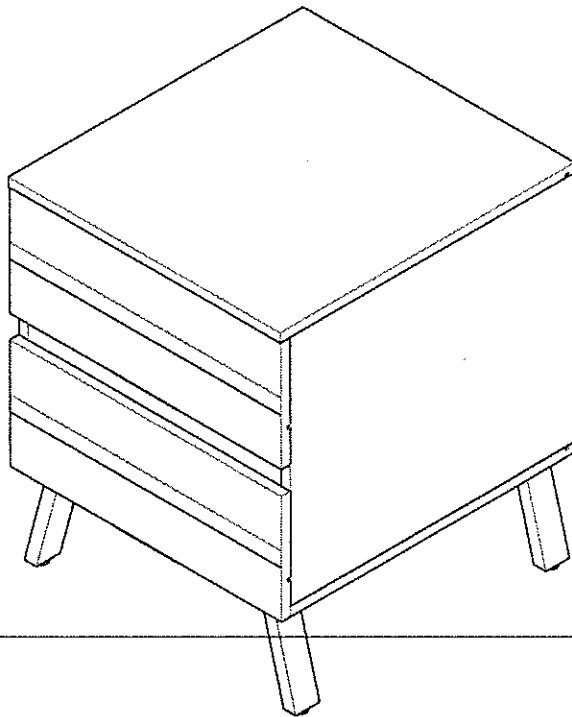
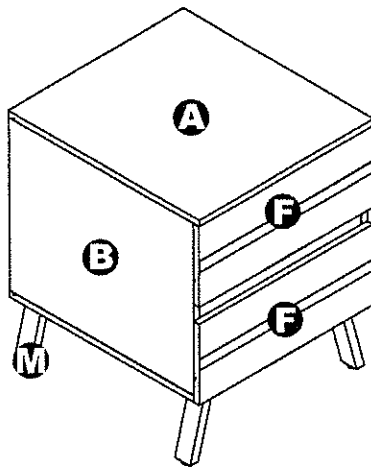


# ASSEMBLY INSTRUCTIONS

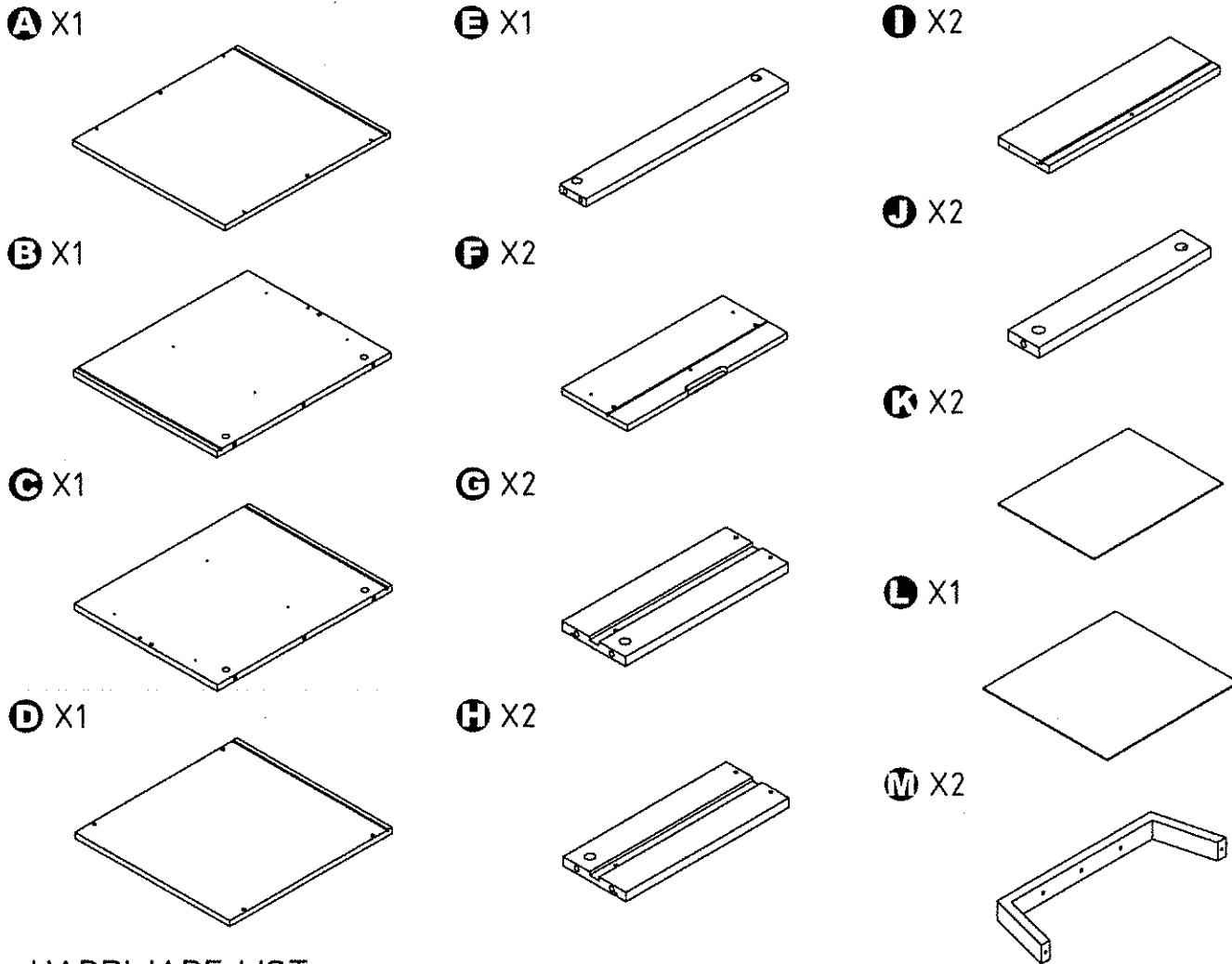


END TABLE

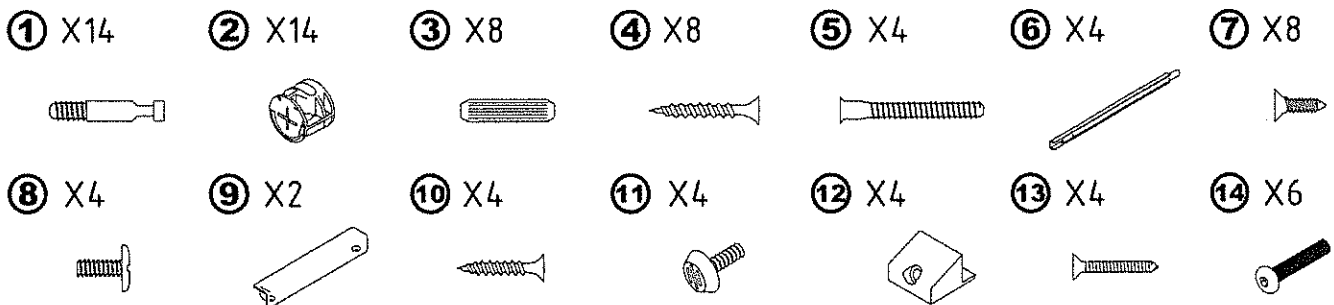


**DIMENSIONS**  
 Width - 18.11"  
 Depth - 19.69"  
 Height - 22.91"

**PARTS LIST**

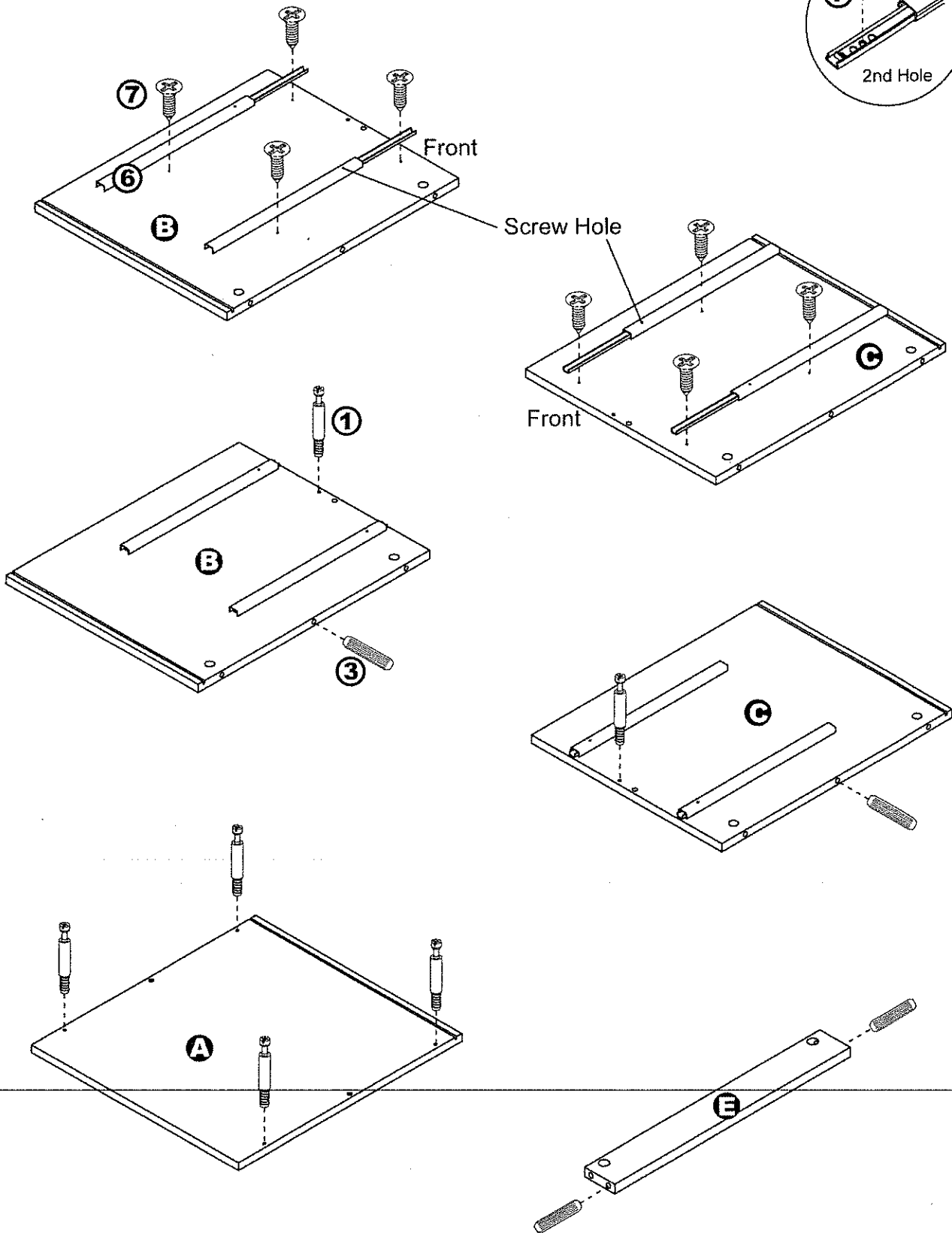
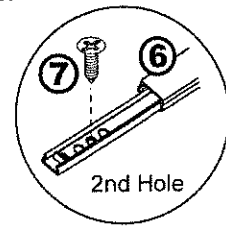


**HARDWARE LIST**

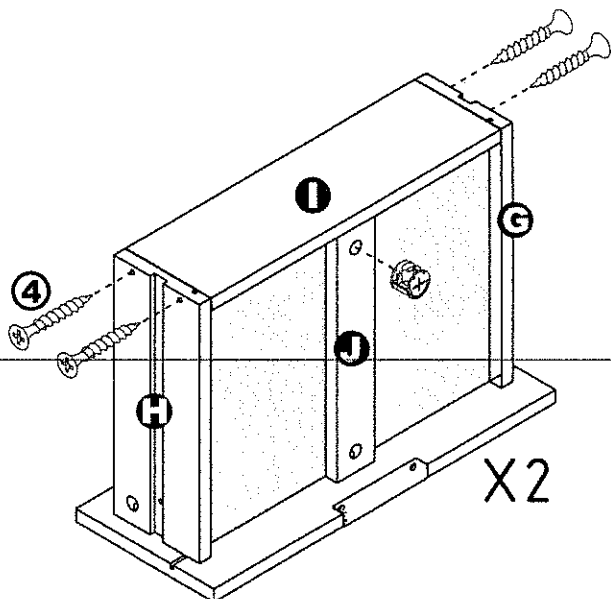
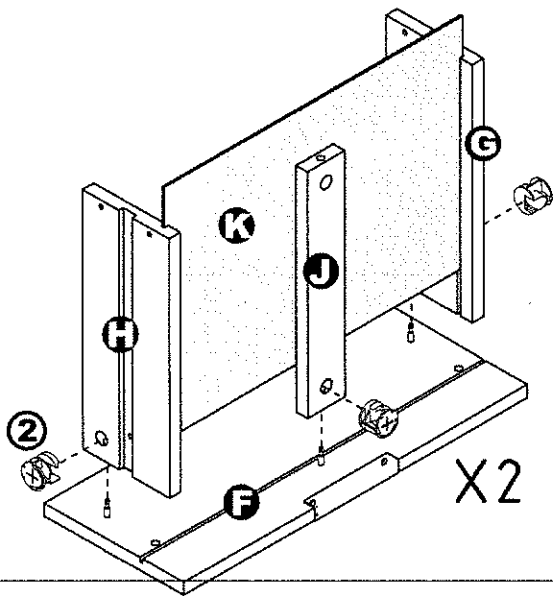
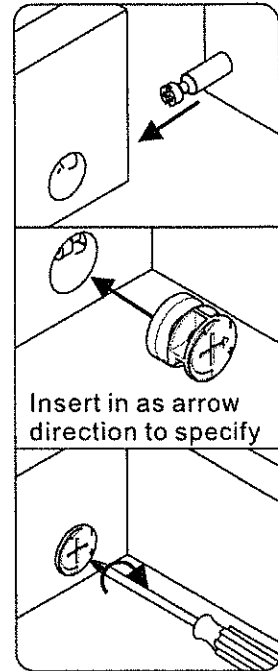
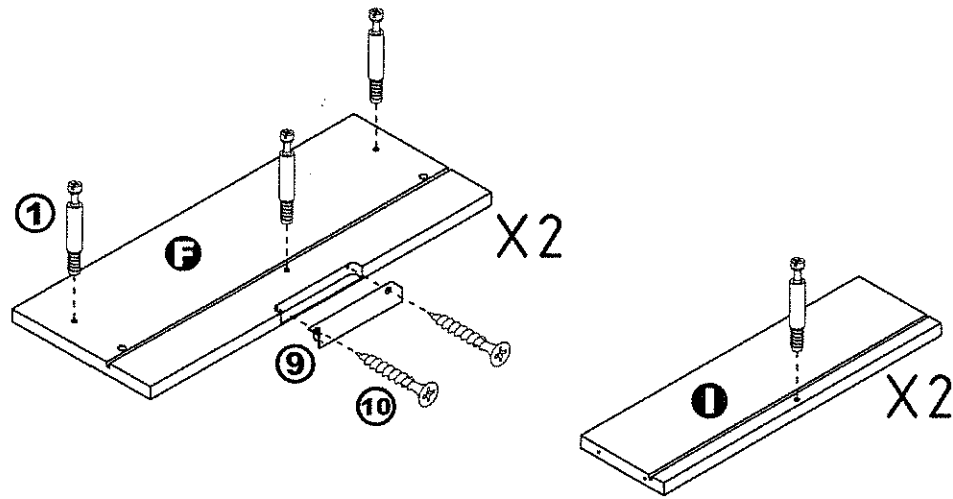
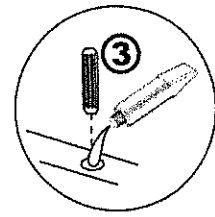
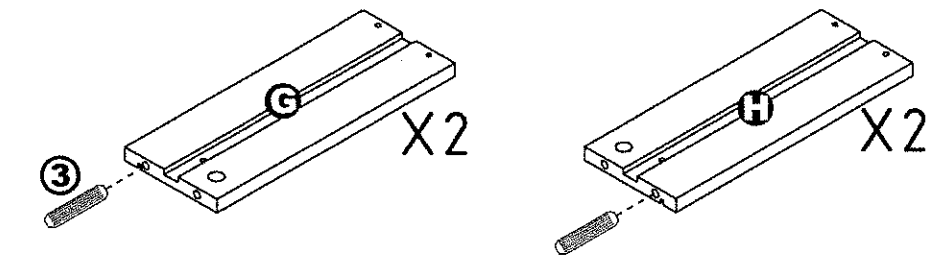


# Step 1.

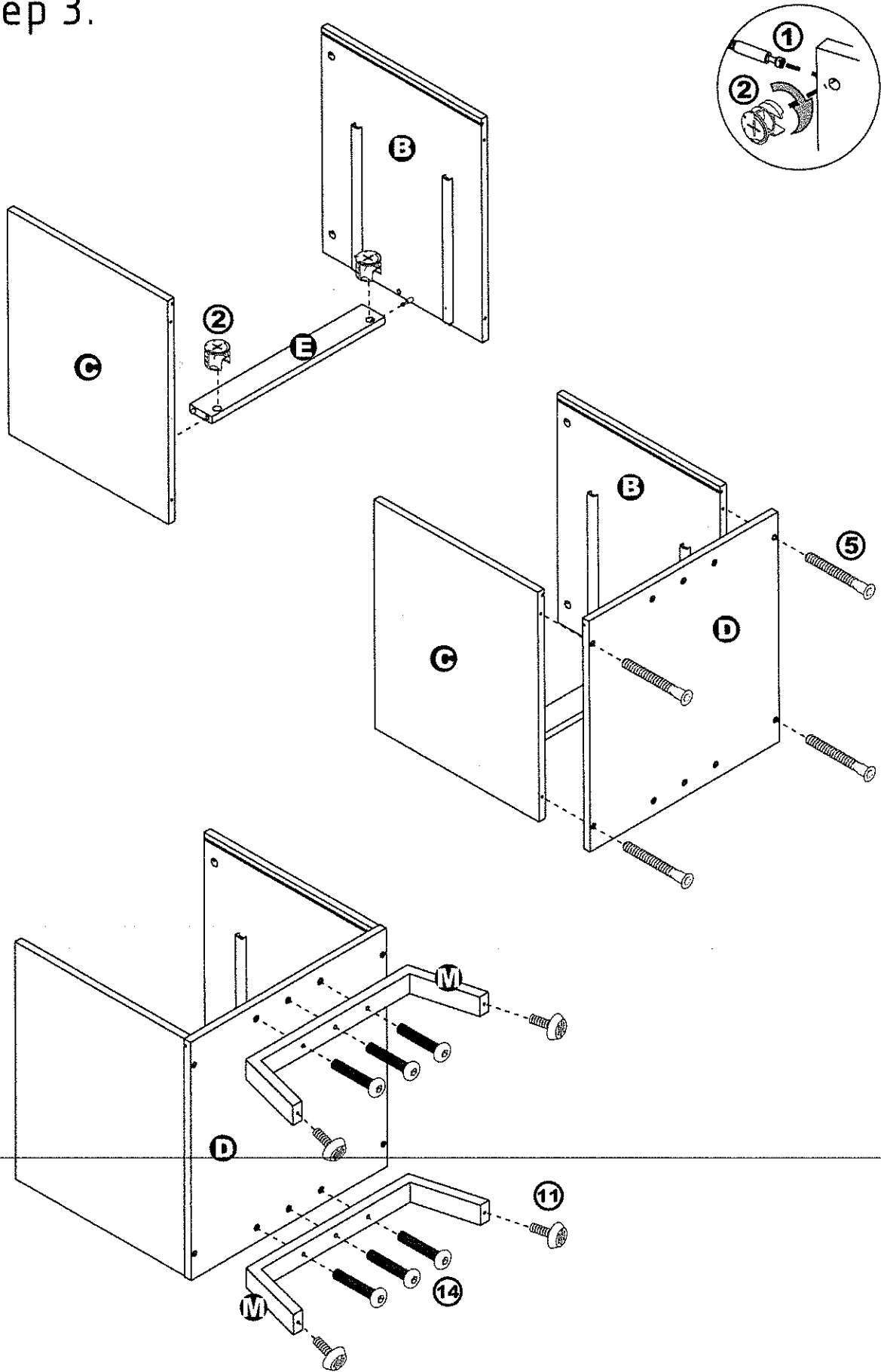
Push runner to see screw holes on the other end



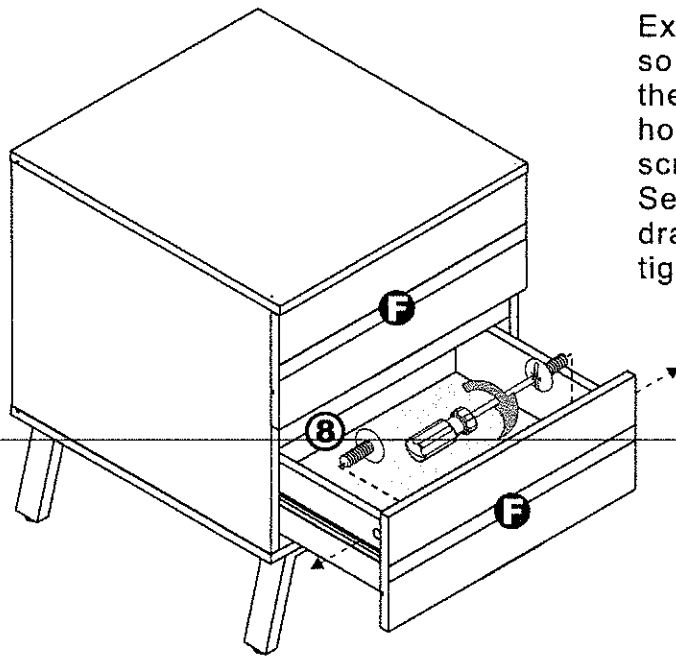
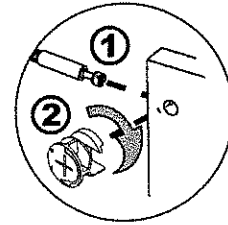
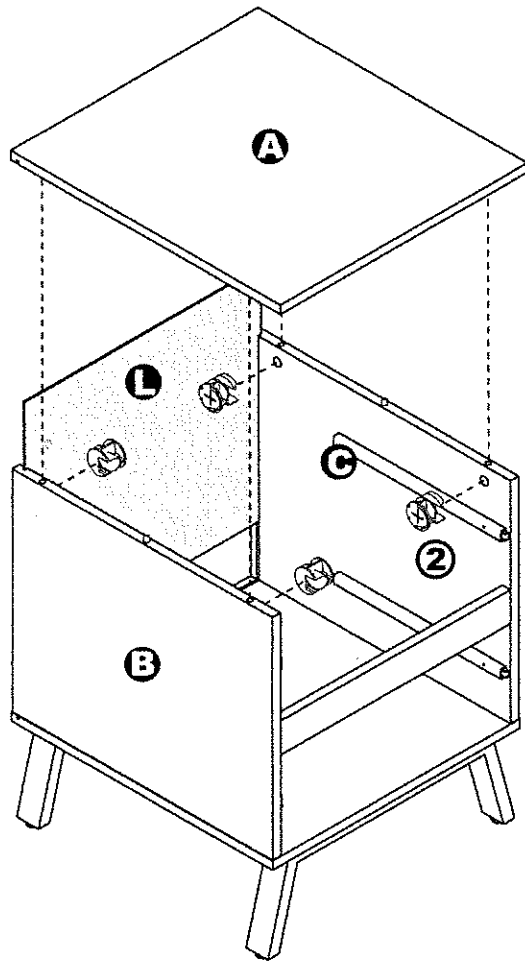
# Step 2.



# Step 3.

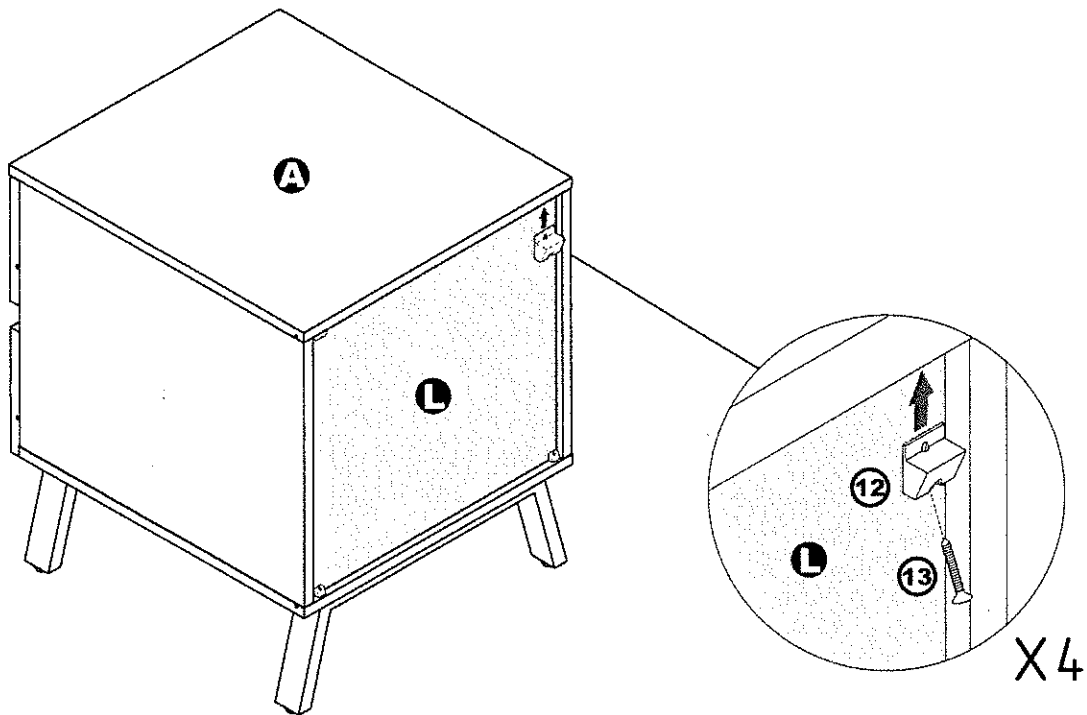


# Step 4.



Extend the two outer slides of the runners so that they could align with the sides of the drawer. Make sure the pre-drilled holes from the drawer align with the screw holes of the outer slides. Secure two screws from the inside of the drawer using a Phillips screwdriver to tighten them to the outer slides.

## Step 5.



### **ASSEMBLY IS COMPLETED**

Make sure the product is rested on a flat surface and does not feel loose or wobbly. If it does, double check that the bolts/screws are secured and properly tightened.