

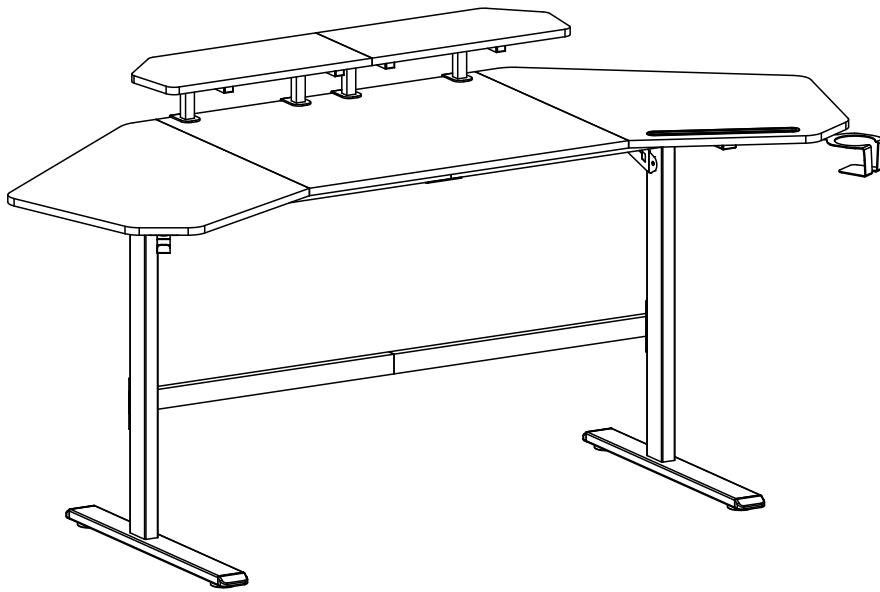


**UNIVERSE GAMING DESK**

**MODEL RTA-TS91D**

**ASSEMBLY INSTRUCTIONS**

REV.1-OL-8213-0824



**Thank you for purchasing our product!**



Do a quick inventory of all the parts and hardware listed below.



**For Support, assembly questions & Replacement Parts within the 48 Contiguous United States:**

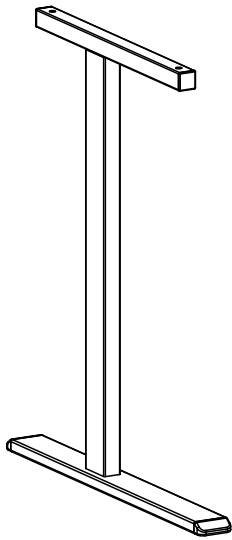
Please email us at: [support@technisportusa.com](mailto:support@technisportusa.com)



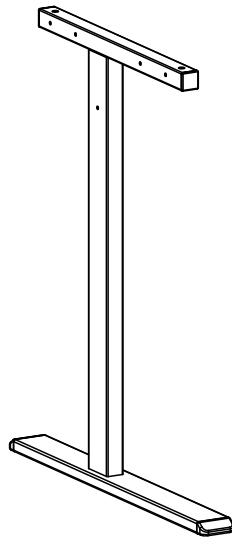
Replacement Parts for International Customers & **AK-HI-PR** orders: RTA Products will replace the part free of charge, while **the customer is responsible for shipping costs plus any International local taxes or duties.**

## MAIN PARTS LIST

**#1** Left metal leg



**#2** Right metal leg



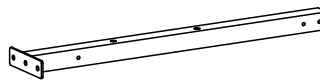
**#3** Front-Left support beam



**#4** Front-Right support beam



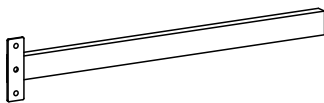
**#5** Back-left support beam



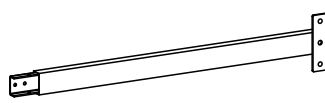
**#6** Back-Right support beam



**#7** Lower-Left support beam



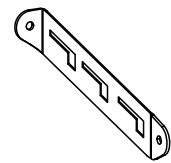
**#8** Lower-Right support beam



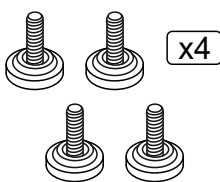
**#9** Cross-Left bracket



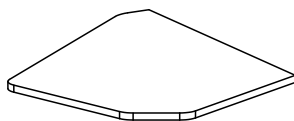
**#10** Cross-Right bracket



**#11** Glide studs



**#12** Left tabletop



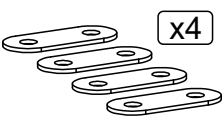
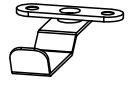

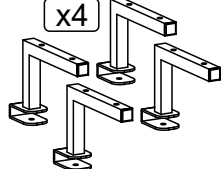
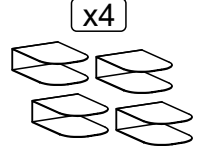
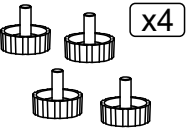


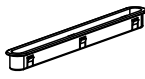
**#13** Middle tabletop



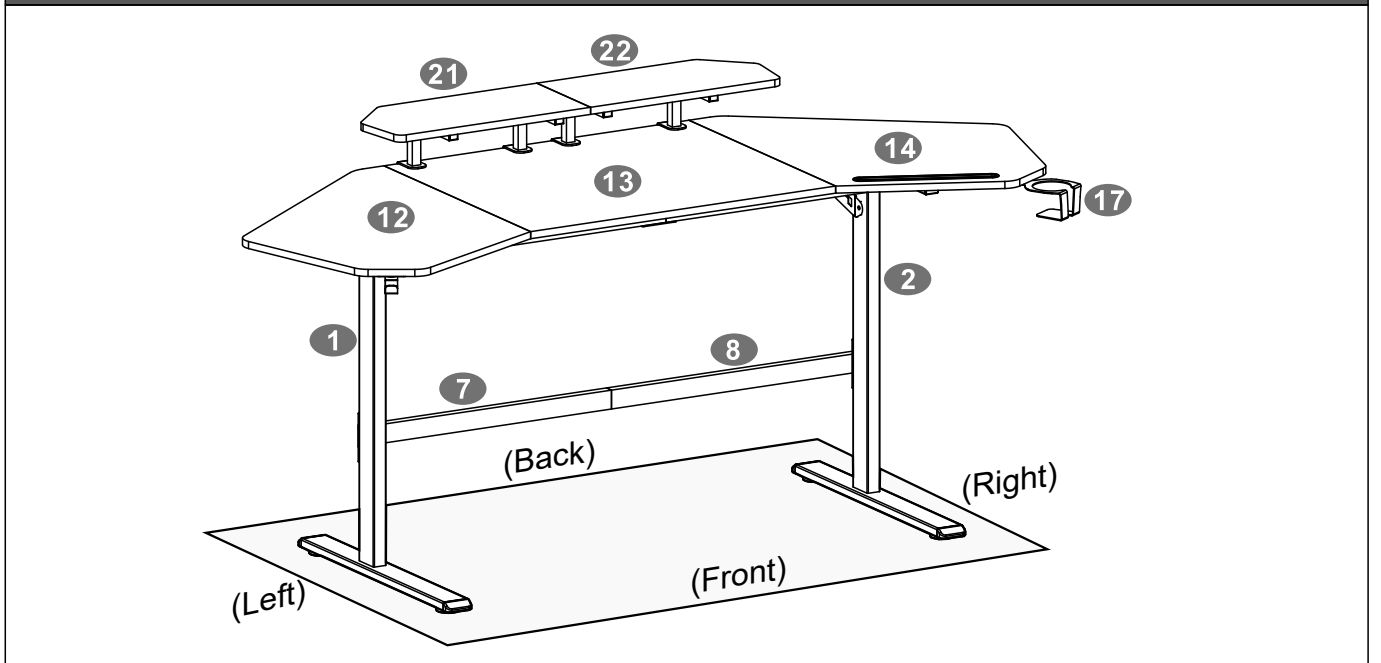
**#14** Right tabletop




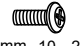
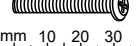
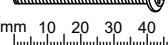
**MAIN PARTS LIST (Continue)**

<p><b>#15</b> Metal plates x4</p> 	<p><b>#16</b> Accessory hook</p> 	<p><b>#17</b> Cup holder</p> 	<p><b>#18</b> Shelf support x4</p> 	<p><b>#19</b> Shelf protector x4</p> 
<p><b>#20</b> Screw knob x4</p> 	<p><b>#21</b> Left shelf</p> 	<p><b>#22</b> Right shelf</p> 	<p><b>#23</b> Accessory holder</p> 	

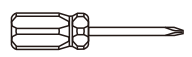

**MAIN PARTS LAYOUT (For reference)**



**HARDWARE LIST**

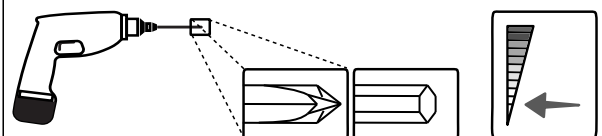
PART	QTY	SIZE / DESCRIPTION	ITEM
A	12	M6x15	 mm 10 20 30 40 50 60
B	27	M6x12	 mm 10 20 30 40 50 60
C	8	M6x30	 mm 10 20 30 40 50 60
D	12	M6x40	 mm 10 20 30 40 50 60

**TOOLS REQUIRED BUT NOT INCLUDED**

Phillips Screwdriver	 X
M4 Allen wrench	

If you decide to use a power driver:

- Make sure to have the appropriate hex or Phillips bits.
- Start using at a low power or speed to avoid stripping the screws.



**BEFORE YOU START THE ASSEMBLY, PLEASE READ THE FOLLOWING TIPS AND WARNINGS.**

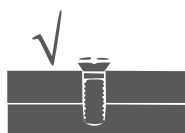
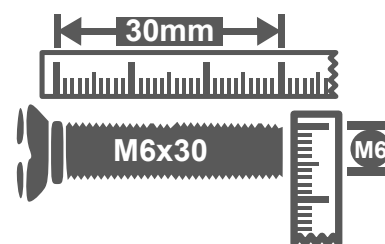
- Do not discard this manual or any of the packaging material until the unit is completely assembled.
- Please read the assembly instructions thoroughly and follow step by step.



- The assembly might require of 2 persons for certain steps. Before you start the installation, make sure there is someone else nearby to help you.



- Make sure you understand which hardware will be used on each step.
- Do not overtighten the screws to avoid stripping, breaking or getting stuck inside the part that is being used.



CORRECT SIZE



TOO SHORT!



TOO LONG!

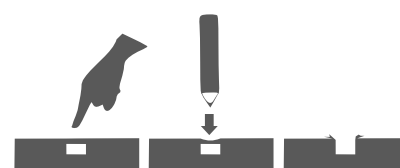


DO NOT OVERTIGHTEN!

- If the hole seems to small for the screw, make sure you are using the correct size of screw and/or that you are installing it in the correct hole.



- Sometimes on the wood panels the laminate or material might be covering the hole partially or entirely, if there is no visible hole or if it looks too small, pass and press the tip of your finger over the area to feel its indentation, and carefully pierce the laminate to uncover the hole underneath.



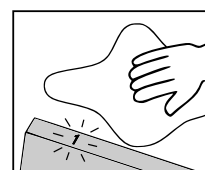
- Please be kind to our planet, when done with the assembly, recycle any of the packaging materials that is accepted by your city or recycling service.



Thank you!



- After finishing with the assembly, you can use rubbing alcohol to erase or remove the visible part numbers printed or labeled on the pieces.



## ASSEMBLY STEPS

**WE RECOMMEND TO PLACE THE PIECES OVER BLANKETS OR TABLECLOTHS TO PROTECT THEIR FINISH DURING ASSEMBLY.**

### STEP 1

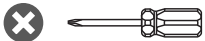
This step requires of 2 persons



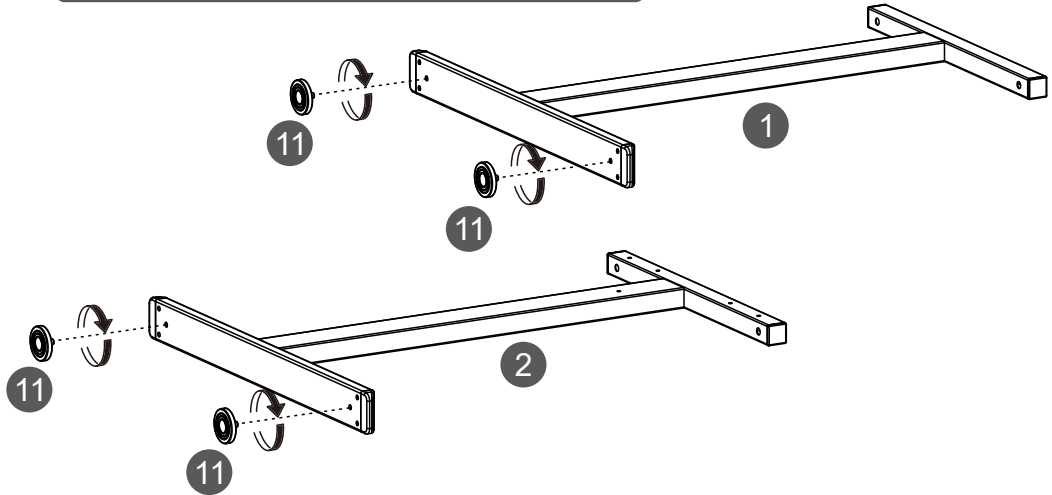
#### Hardware

**B**  8 Pcs  
M6x12

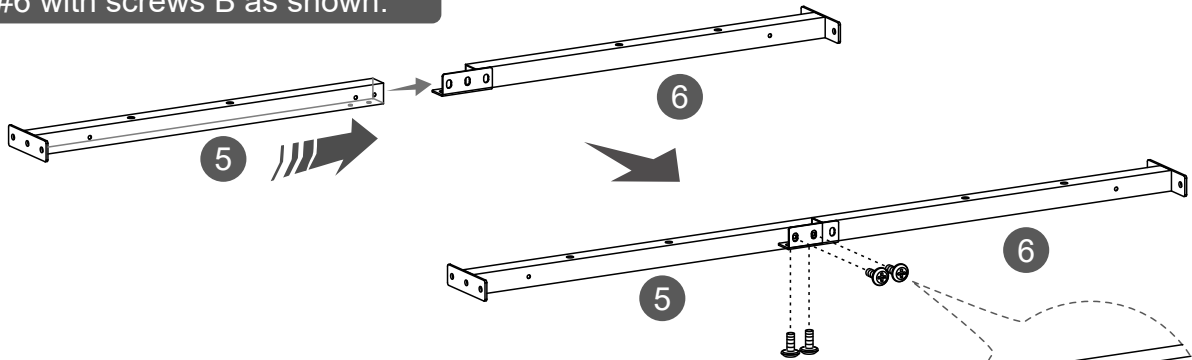
#### Tools (included)



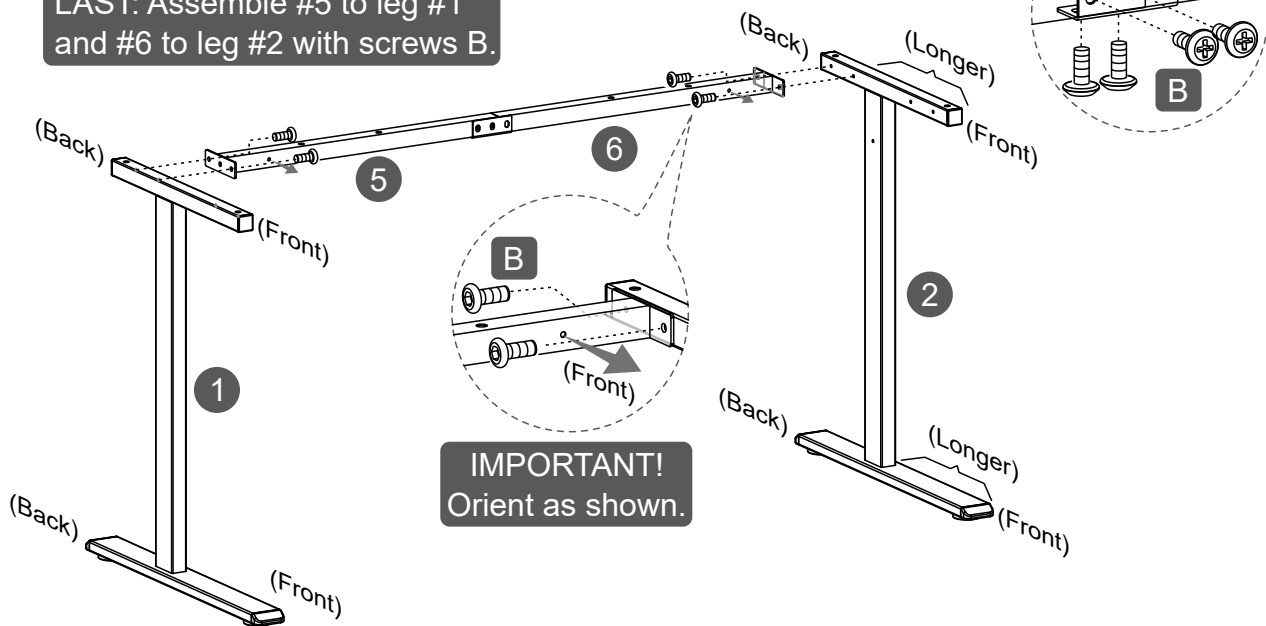
**FIRST:** Install #11 to the legs #1 and #2.



**THEN:** Join the beams #5 and #6 with screws B as shown.



**LAST:** Assemble #5 to leg #1 and #6 to leg #2 with screws B.



## STEP 2

This step  
requires of  
2 persons



## Hardware

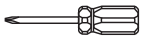
B



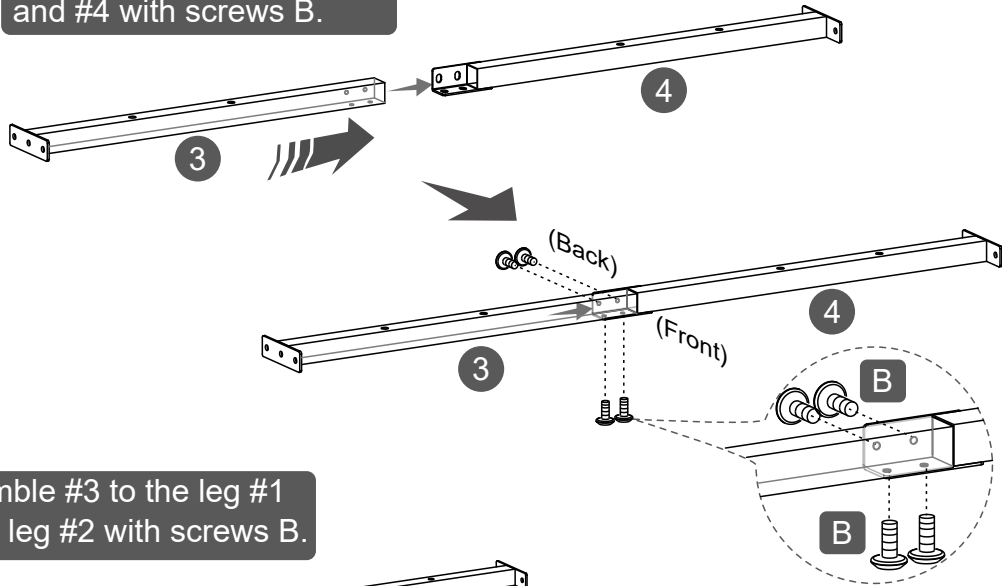
M6x12

8  
Pcs

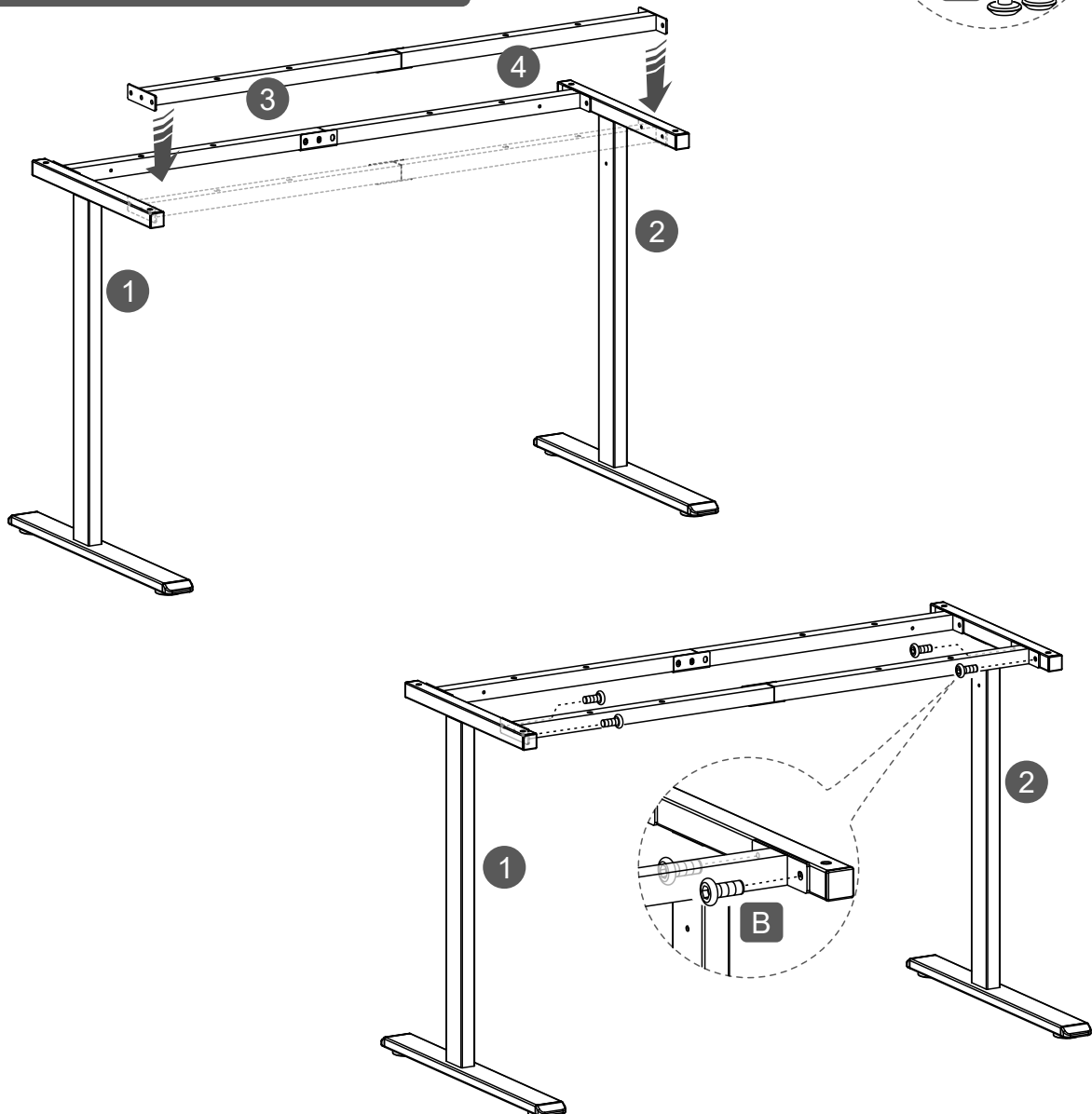
## Tools (included)



FIRST: Join the beams #3  
and #4 with screws B.



THEN: Assemble #3 to the leg #1  
and #4 to the leg #2 with screws B.



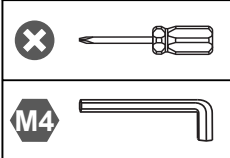
**STEP 3**

This step requires of 2 persons

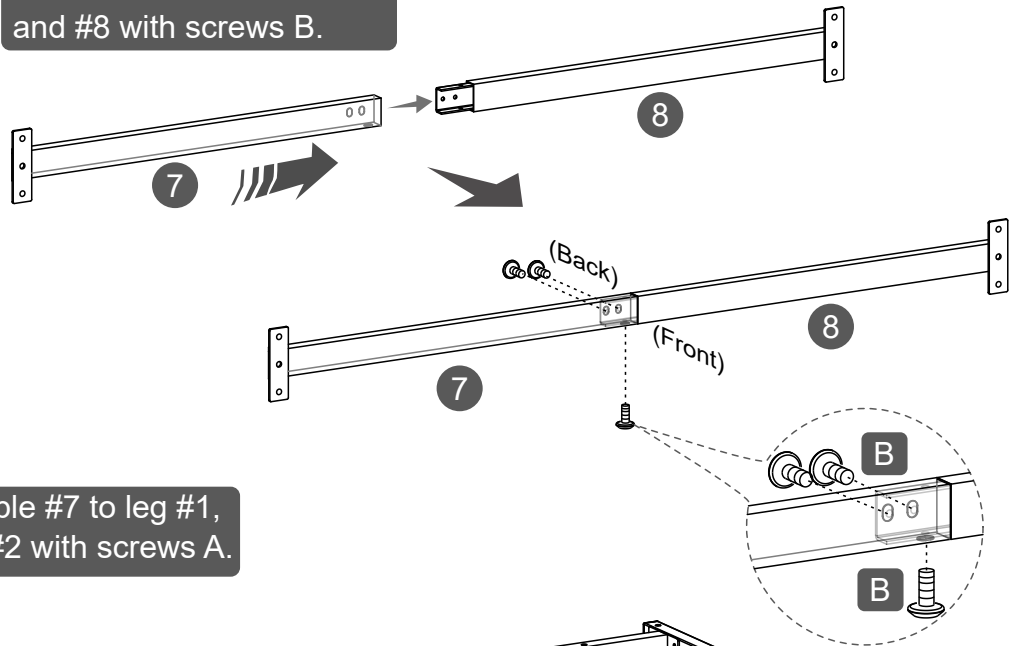
**Hardware**

A		4 Pcs
B		3 Pcs

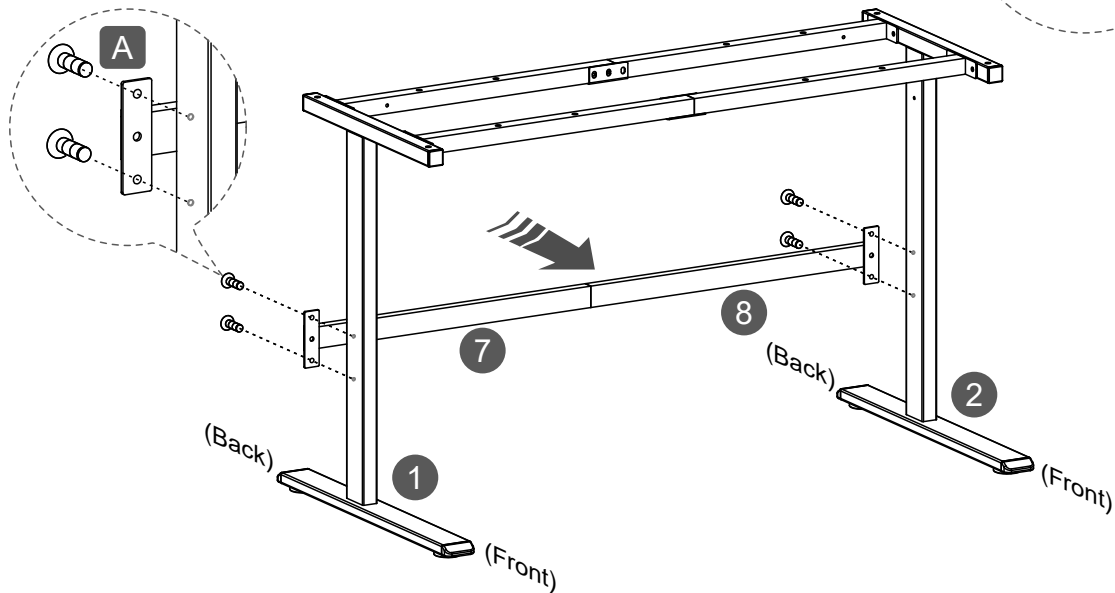
**Tools (included)**



**FIRST:** Join the beams #7 and #8 with screws B.



**THEN:** Assemble #7 to leg #1, and #8 to leg #2 with screws A.



**STEP 4**

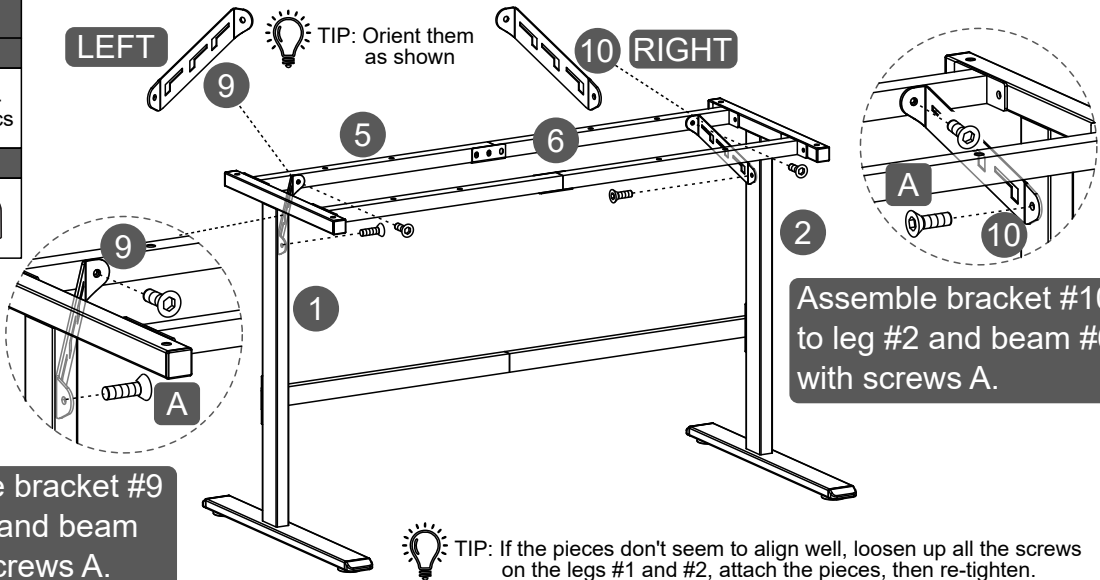
**Hardware**

A		4 Pcs
---	--	-------

**Tools (included)**



**LEFT** **TIP:** Orient them as shown **RIGHT**



Assemble bracket #9 to leg #1 and beam #5 with screws A.


Assemble bracket #10 to leg #2 and beam #6 with screws A.

**TIP:** If the pieces don't seem to align well, loosen up all the screws on the legs #1 and #2, attach the pieces, then re-tighten.

**STEP 5**

This step requires of 2 persons

**Hardware**

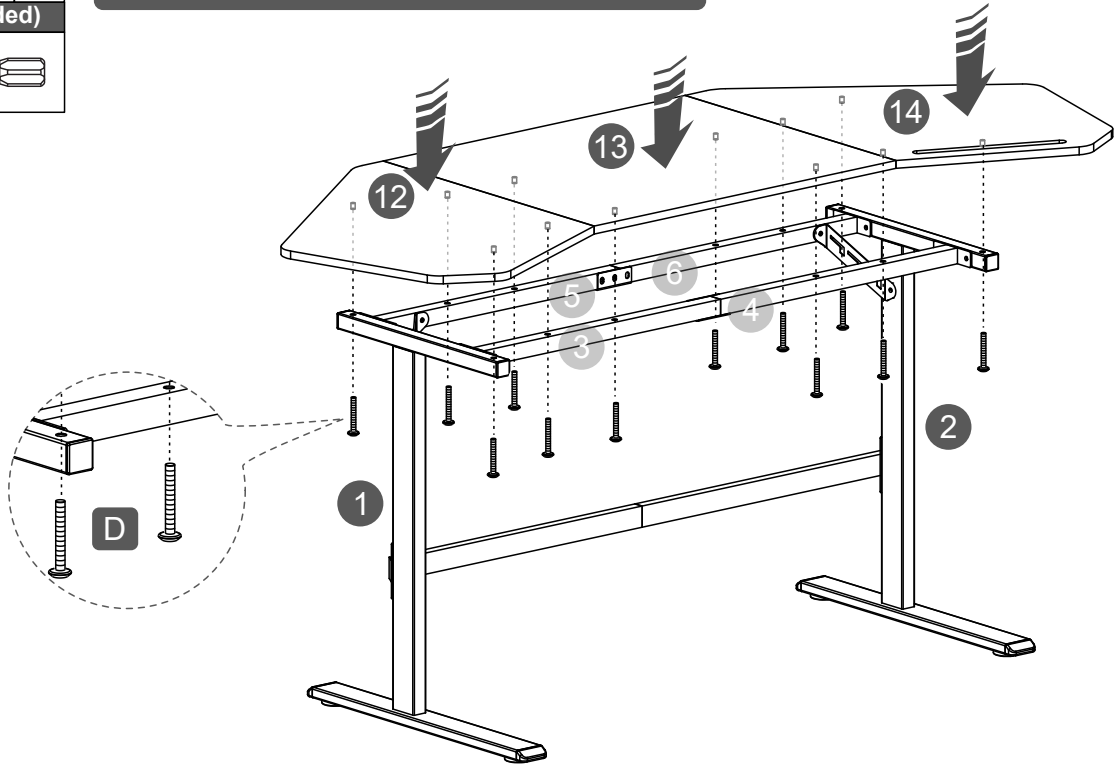
D  12 Pcs  
M6x40

**Tools (included)**



**IMPORTANT:** Do not tighten the screws until the next step!

Assemble the tabletops #12, #13 and #14 to the legs #1, #2 and to the beams #3, #4, #5 and #6 respectively with screws D.



**STEP 6**

**Hardware**

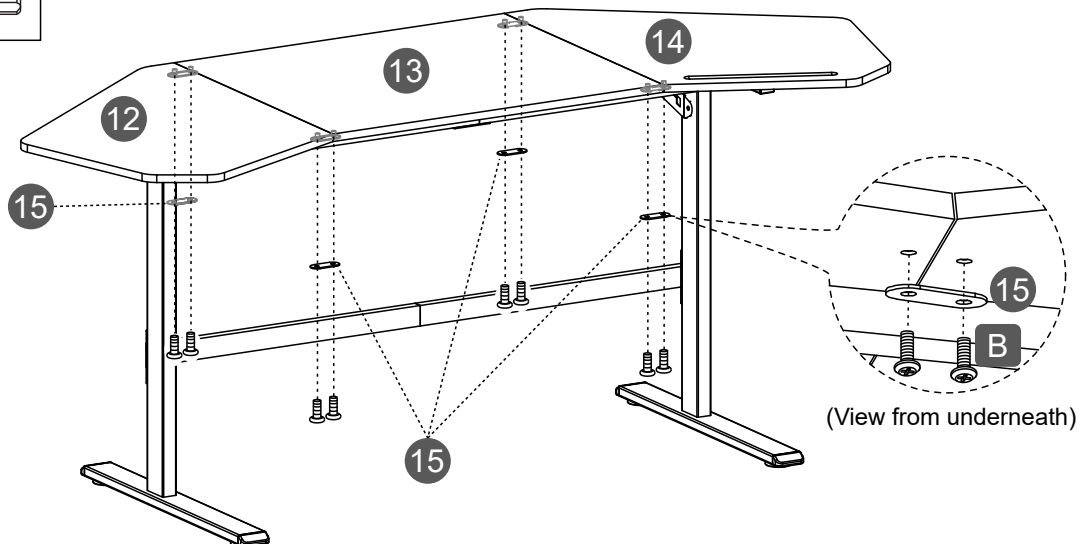
B  8 Pcs  
M6x12

**Tools (included)**



**FIRST:** Attach the plates #15 in between the tabletops #12, #13 and #14 with screws B as shown.

**THEN:** Tighten all the screws D from step 5.



**STEP 7**

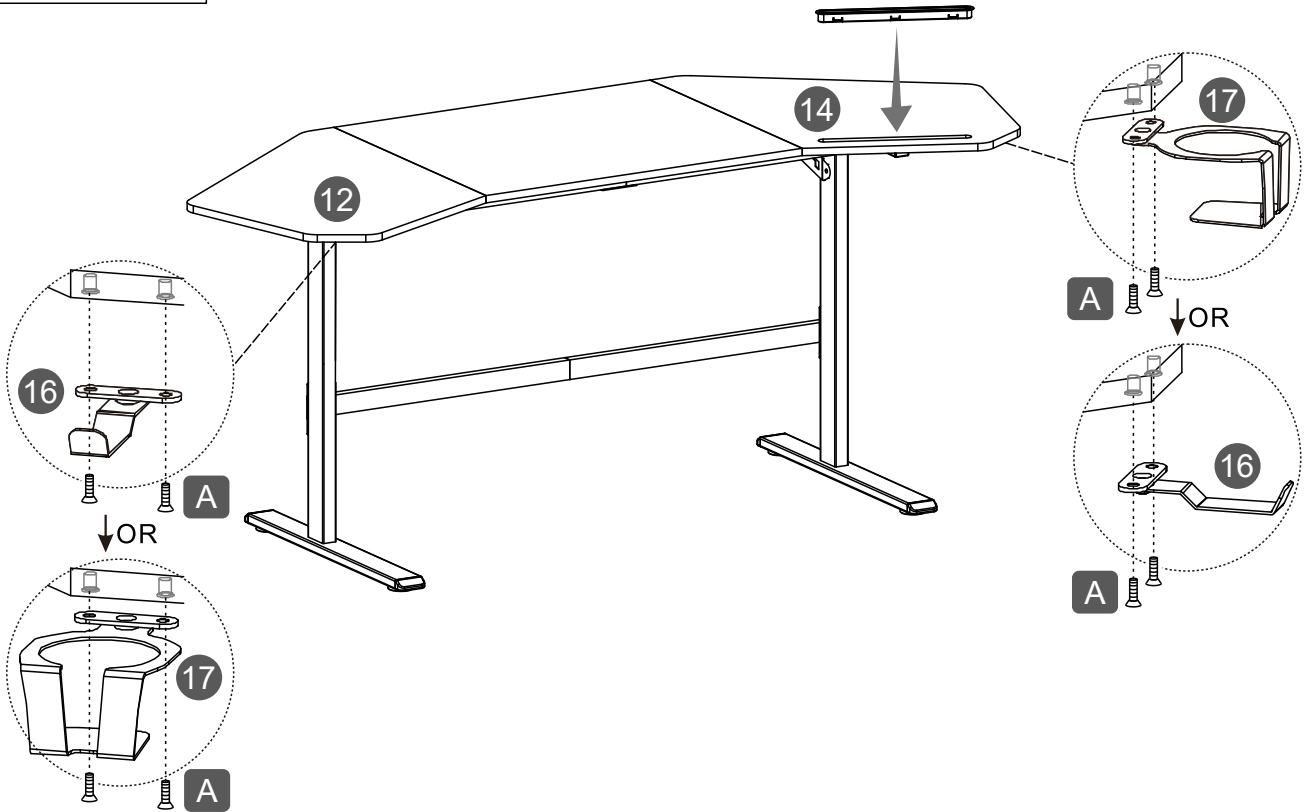
**Hardware**

A  4 Pcs  
M6x15

**Tools (included)**

M4 

**FIRST:** Install the phone/tablet holder #23 to the tabletop #14.  
**THEN:** Use screws A to install the accesories #16 and #17 on the tabletops #12 and #14 according to your preference.



**STEP 8**

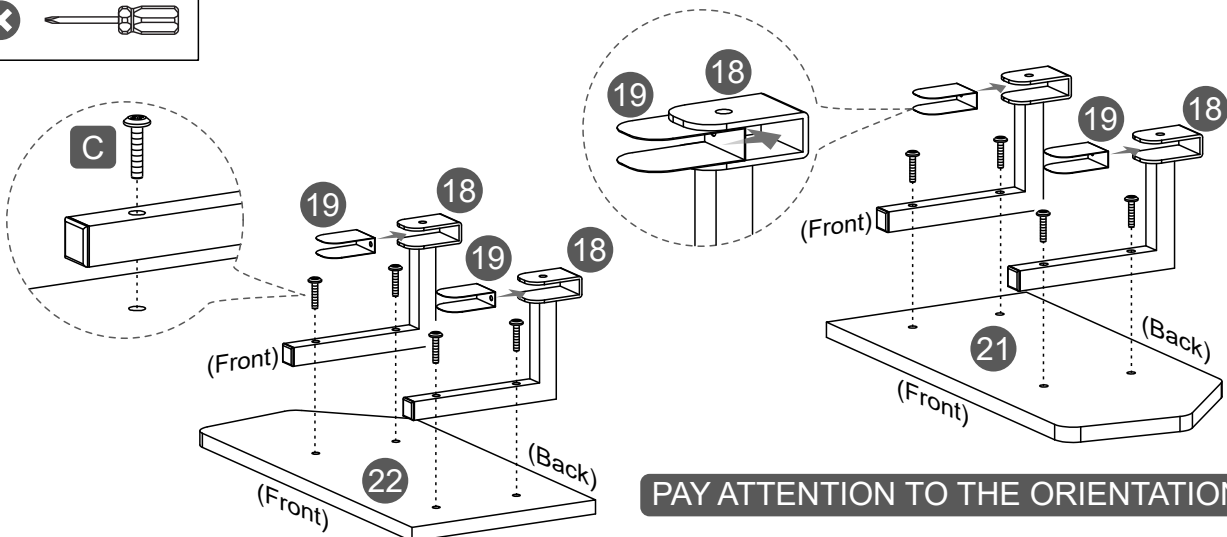
**Hardware**

C  8 Pcs  
M6x30

**Tools (included)**

X 

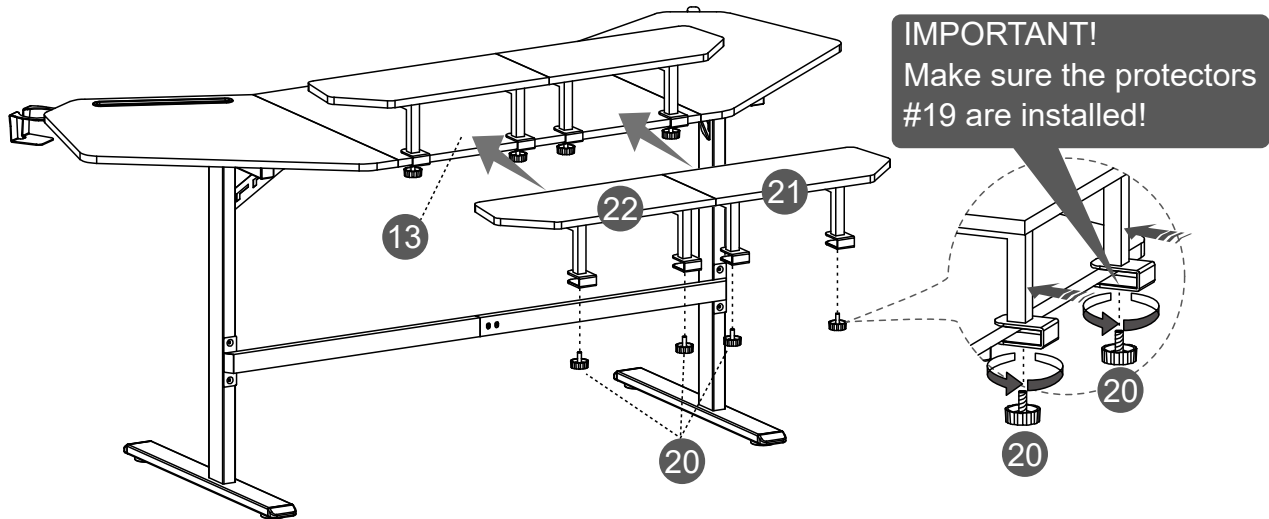
For each of the shelves #21 and #22, attach the supports #18 with screws C, and insert the protectors #19 into the supports.



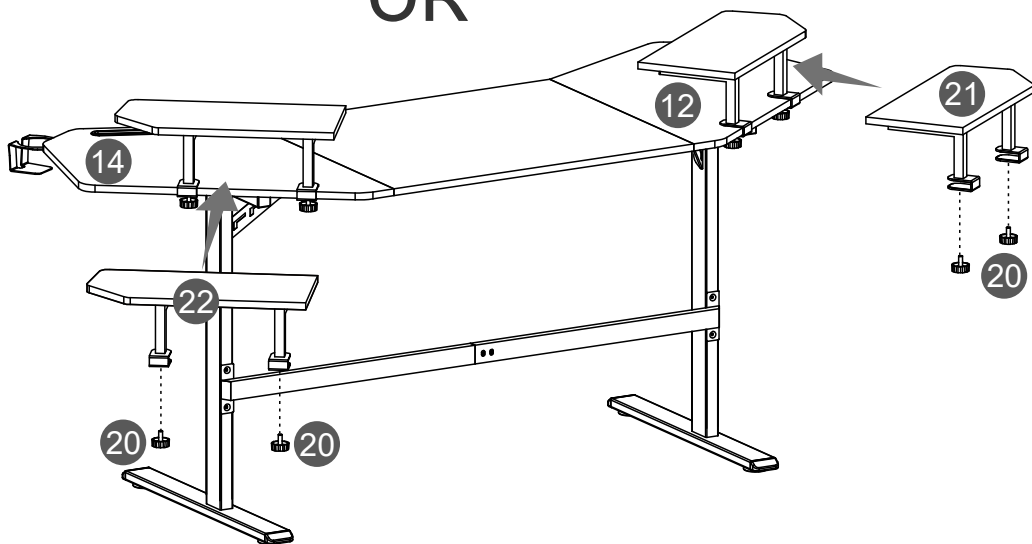
**PAY ATTENTION TO THE ORIENTATION!**

## STEP 8

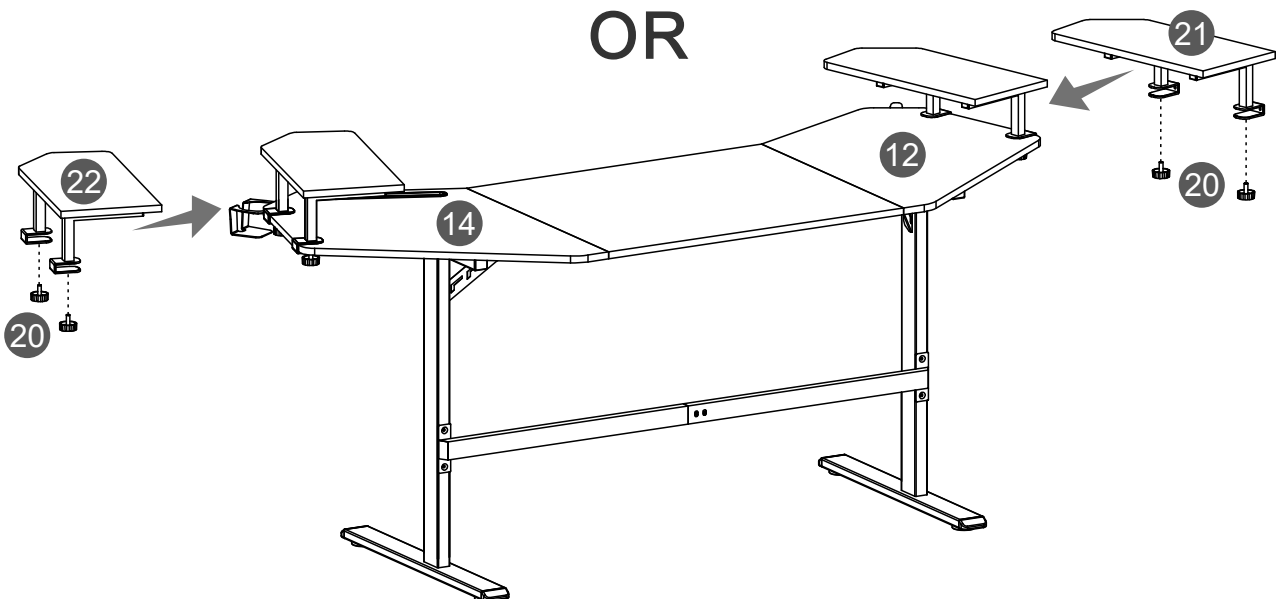
Use the screw knobs #20 to install the shelves #21 and #22 according to your preference. Below are our suggestions, with the unit viewed from behind.



OR



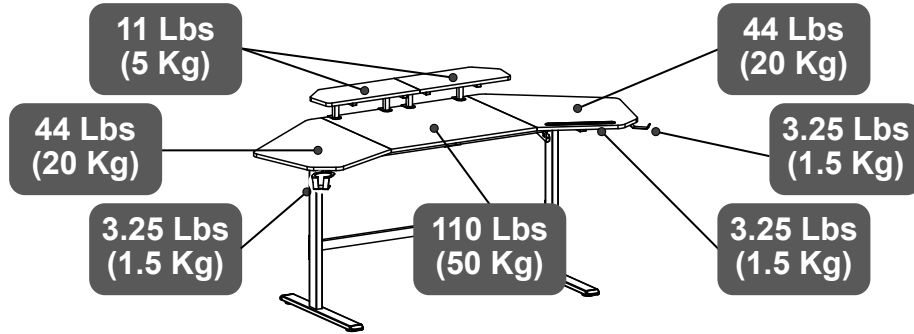
OR



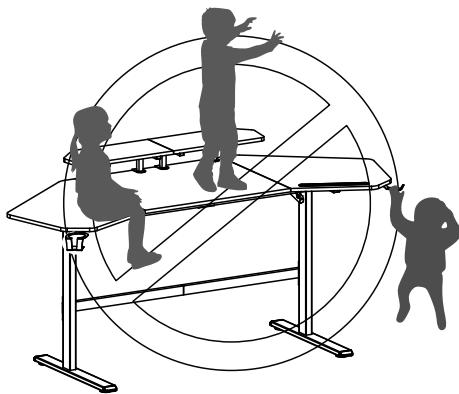
**WARNINGS**

Not paying attention to the following warnings could result in injuries.

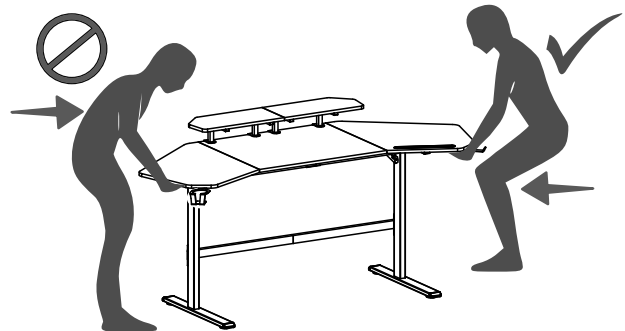
**WEIGHT LIMITS - DO NOT EXCEED**



- Do not sit, climb or stand on the Unit.
- Do not allow children to play over or below the unit.
- Do not let children hang from the accessories.



- 2 persons are required for moving the unit at distances longer than 2 feet.
- Remove or secure any objects that are heavy or might fall off during the moving.
- Lift by bending your knees, not your backs.



**CARE AND MAINTENANCE**

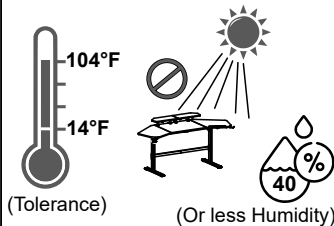
Clean with a cloth lightly dampened in a solution of mild soap and water.



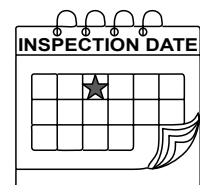
Do not use solvents or abrasive materials.



Do not expose to direct sunlight or extreme environmental conditions.



Inspect and re-tighten loose screws on the table every 4 months.



## TECHNI SPORT WARRANTY



### GAMING DESKS: LIMITED 5-YEAR WARRANTY

RTA Products, LLC has warranted the Techni Sport products to the original purchaser who acquired a new product from RTA Products or its authorized re-sellers of the product against defects in material or workmanship.

This warranty is expressly limited to the repair or replacement (at its option) of defective product components or materials as a result of a defect in materials or workmanship. This warranty is limited to merchandise purchased in the Continental United States, excludes AK, HI and PR. No assembly labor is included. The word "defects" as used in this warranty, is defined as imperfections that impair the utility of the product.

Replacement Parts under Warranty for International / AK-HI-PR orders : RTA Products will replace the part free of charge, while customer is responsible for shipping costs plus any International local taxes or duties. Warranty for International orders - replacement parts: buyer is responsible for shipping costs plus any local taxes or duties.

This warranty applies under conditions of normal use, but does not apply to defects that result from intentional damage, wear & tear, negligence, unreasonable use or exposure.

Internal metal frame\*: Refers to the internal metal steel structure of the seat and back only.

Liability for consequential damages is excluded to the extent exclusion is permitted by law. This warranty gives you specific legal rights, and you may have other rights that vary from State to State.

RTA Products does not warrant: a) natural variations in character marks b) changes in surface finishes due to aging or exposure to light c) marks, scars, or wrinkles occurring naturally in leather d) failure resulting from normal wear and tear e) the matching of colors, grains, or textures of natural materials f) the colorfastness or the matching of textiles, including an exact match to cuttings or to swatch cards g) damage, marking, or staining of veneer surfaces due to contact with rubber or similar compounds, damage from sharp objects or imprinting from writing instruments, or prolonged exposure to direct sunlight h) we do not warrant products that are exposed to extreme environmental conditions or that have been subject to improper storage.

RTA Products shall not be liable for loss of time, inconvenience, commercial loss, or incidental or consequential damages.

Any modification to the original product voids the warranty. We do not warrant the performance of the product when used in combination with other than original products.

This product has been designed for and is intended for office, home-office and gaming use only. This warranty is Original Purchaser's sole remedy for product defects, and this warranty does not extend to any product, or damage to any product, caused by or attributed to abuse or misuse, products used for commercial or rental purposes, use modifications of, or attachments to the product, and products or parts not used, maintained, or extended here under is in lieu of any and all other warranties, express or implied, including without limitations any implied warranty or merchant ability or of fitness for a particular purpose.

**To file a Claim within the 48 contiguous United States:** Email us to [warranty@rtaproducts.com](mailto:warranty@rtaproducts.com) to explain the defect and provide your name, address, phone number, model number of our product, date and place, and proof of purchase. Please provide pictures of the damage or defect.

If we determine that a replacement will remedy the situation, and in order to determine the extent or the cause of the defect, purchaser may be requested to send the part in question at purchaser's expense.

Once we receive the part, we will examine it and determine whether the claim is valid (or not), and then proceed to send the replacement. We will ship the replacement at our expense.

**Replacement Parts for International Customers & AK-HI-PR orders:**

**RTA Products will replace the part free of charge, while the customer is responsible for shipping costs plus any International local taxes or duties.**