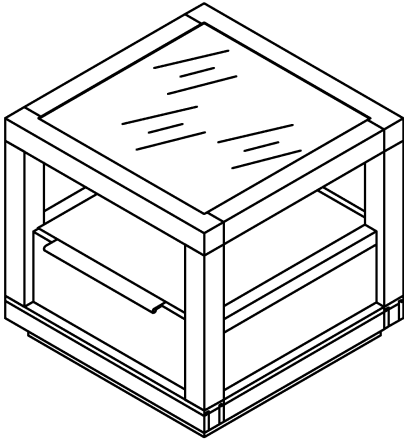


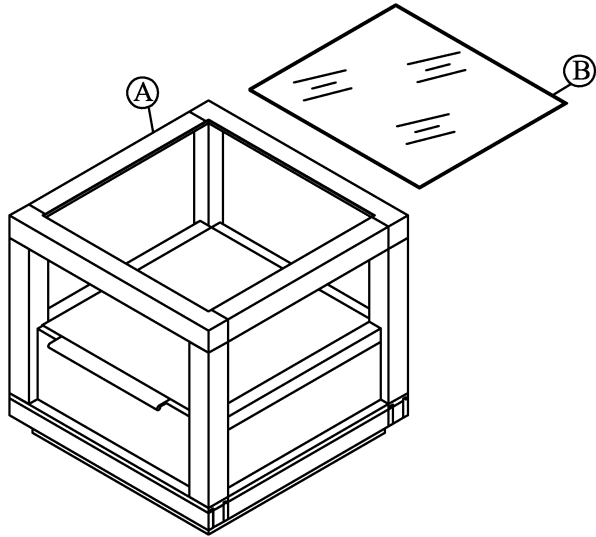
END TABLE ASSEMBLY INSTRUCTIONS

PARTS AND HARDWARE PACKAGING DETAIL

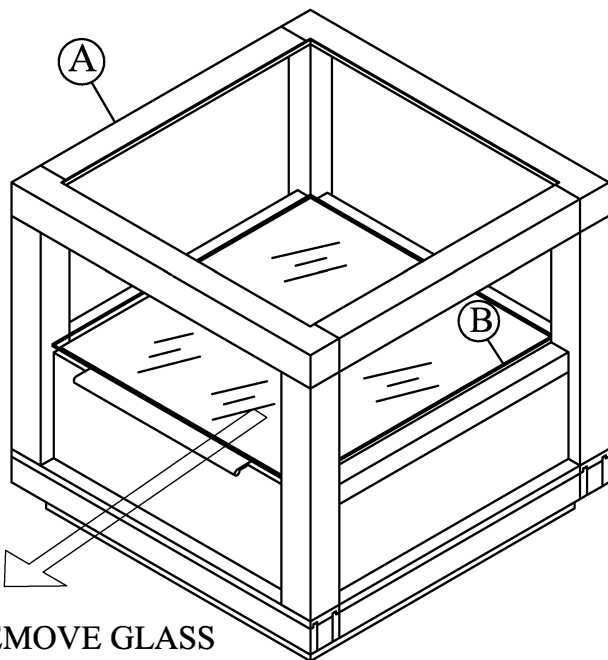
END TABLE
ASSEMBLED



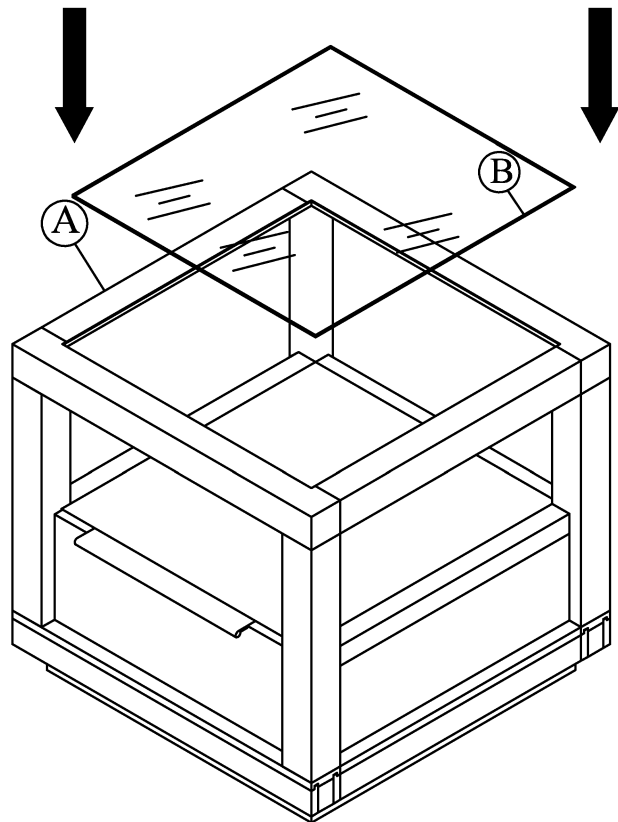
PACKING CONFIGURATION



STEP 1: CAREFULLY CUT THE STRAPS SECURING THE GLASS PANEL TO THE END TABLE.



REMOVE GLASS



STEP 2: WITH THE HELP OF A SECOND PERSON,
POSITION THE GLASS PANEL ONTO THE TOP
OF THE END TABLE.