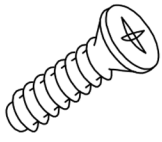
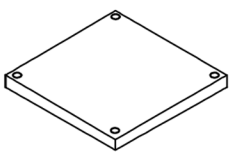
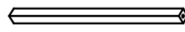

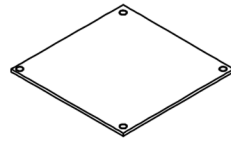
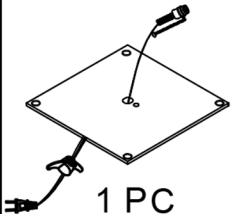
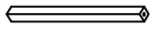
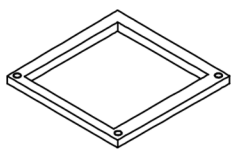

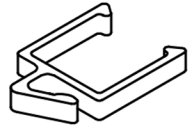
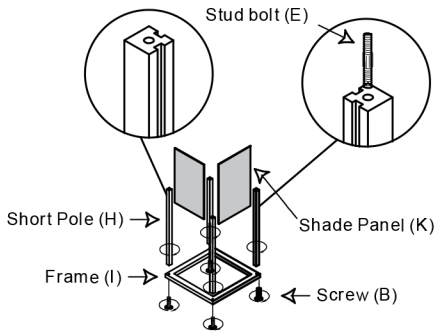


# Assembly Instructions

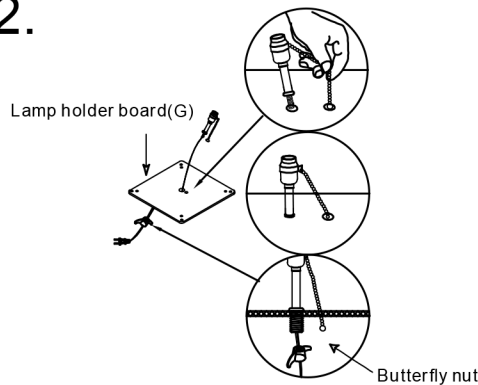
<b>B. Screws</b>  <b>8 PCS</b>	<b>C. Thick Board</b>  <b>1 PC</b>	<b>D. Long Pole</b>  <b>12 PCS</b>	<b>E. Stub bolt</b>  <b>12 PCS</b>	<b>F. Shelf</b>  <b>2 PCS</b>
<b>G. Socket Board</b>  <b>1 PC</b>	<b>H. Short Pole</b>  <b>4 PCS</b>	<b>I. Frame</b>  <b>1 PC</b>	<b>K. Shade</b>  <b>4 PCS</b>	<b>L. Clip</b>  <b>3 PCS</b>

1.



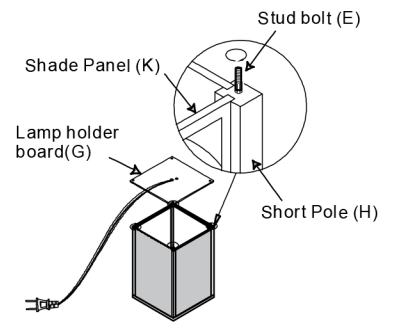
1. Put the frame (I) on suitable flat surface for installing the lamp. Insert screws (B) into frame (I) and short pole (H) and turn to tightened. Then, Slide the shade (K) into the short pole (H).

2.



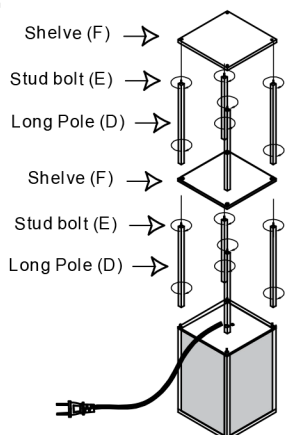
2. Place socket on socket board (G) and pull the chain through the hole (G1). Tighten with butterfly nut to secure socket in place.

3.



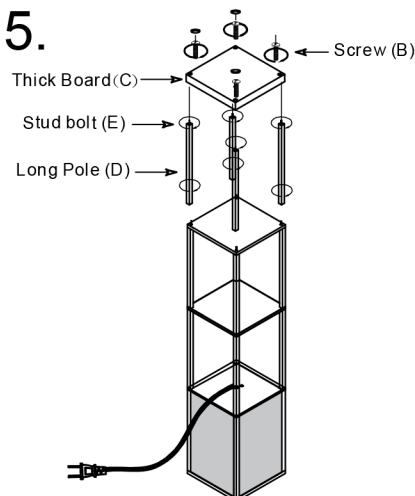
3. Insert stud bolt (E) into board (G) and short pole (H) then turn to tightened. Noted: The direction of the socket board must be downward when you screw the board (G).

4.



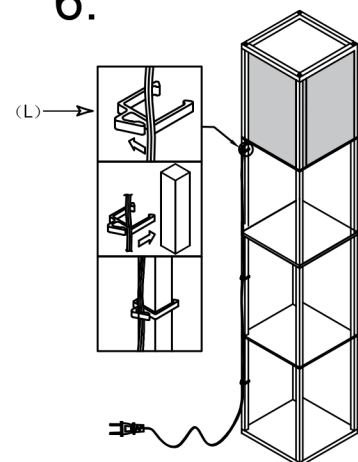
4. Screw long pole (D) and shelf (F) and turn to tightened by stud bolt (E).

5.



5. Insert screw (B) into thick board (C) and long pole (D) then turn to tightened.

6.



6. Completed floor lamp as above image. Then fasten cord to the pole by Clips (L) Fixed the LED bulb into the socket, Now you can enjoy the floor lamp safely.