


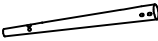
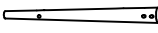
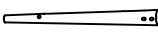





CARE AND MAINTENANCE

Wipe clean with a soft, dry cloth. The seat board can be cleaned with a mild cleaner. Test the cleaning method on a hidden area before using them over the entire area.

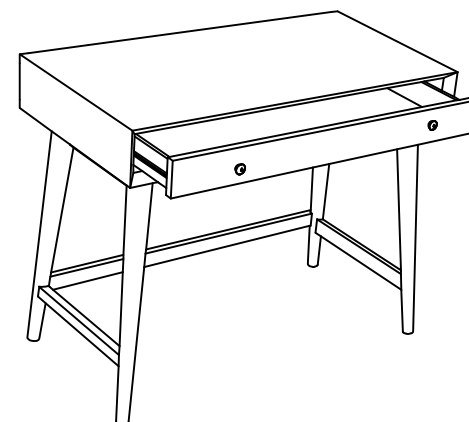
NOTICE

- * Please make sure that you have all parts indicated before you begin assembly of this item.
- * This item should be assembled on a soft surface to prevent scratching the finished product during assembly.
- * This item may require periodic tightening.
- * Do not tighten bolts until completely assembled.

Part List and Hardware List

| Piece | Description | Picture | Quantity |
|-------|----------------------|---|----------|
| A | CABINET WITH APRON |  | 1 X |
| B | LEG |  | 2 X |
| C | FACING LEFT LEG |  | 1 X |
| D | FACING RIGHT LEG |  | 1 X |
| E | SIDE STRETCHER |  | 2 X |
| F | FRONT STRETCHER |  | 1 X |
| H1 | BOLT 1/4"* 2" |  | 8 X |
| H2 | ALLEN KEY 4mm |  | 1 X |
| H3 | WOODEN SCREW M4*40mm |  | 6 X |

Product Dimensions: 38"W*20"D*31"H.



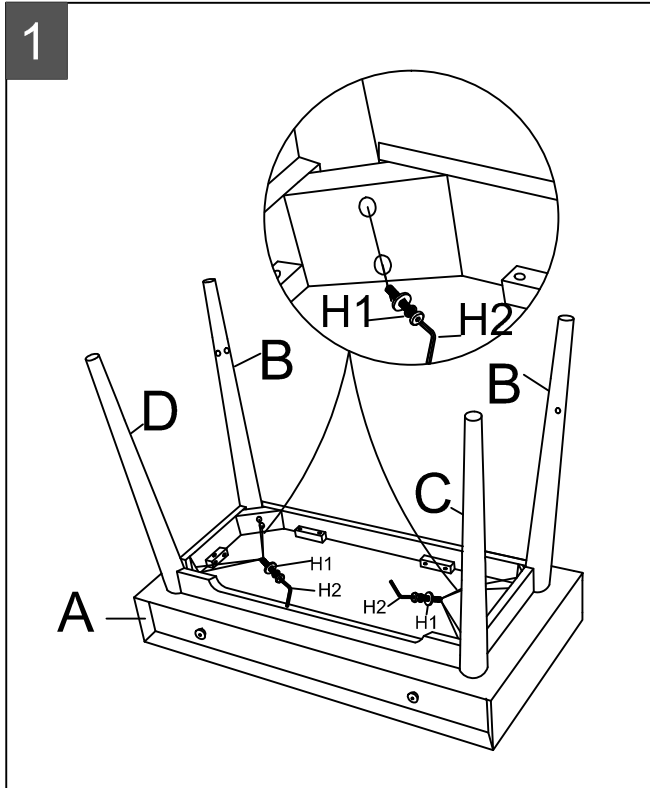
Weight Capacity : 25 lbs
Warning : Do not stand on table
Warning : Do not over torque bolts

PREPARATION

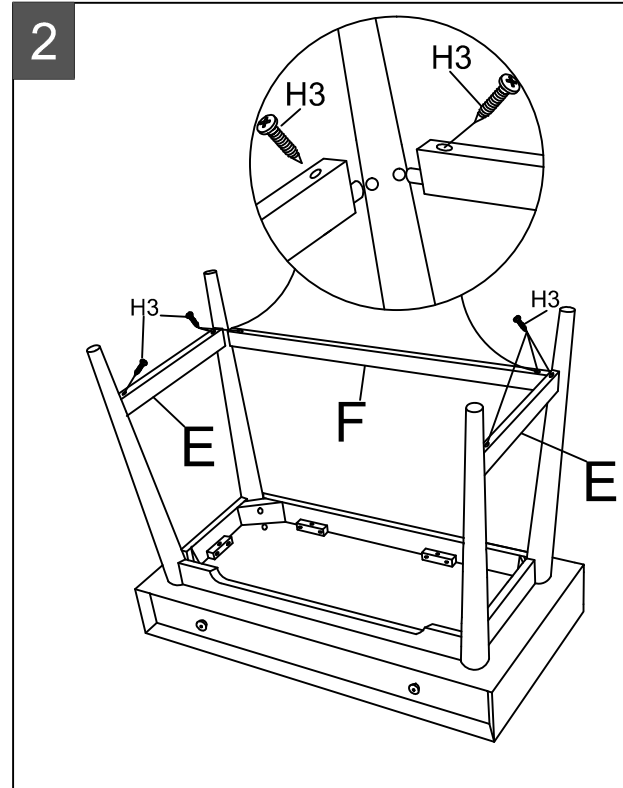
Before beginning assembly of product, make sure all parts are present. Compare parts with package contents list and hardware contents list. If any part is missing or damaged, do not attempt to assemble the product.

Estimated Assembly Time:10 minutes.

Tools Required for Assembly (included):Allen key.



Step 1 :
Install facing left leg (C), facing right leg (D) and 2 legs (B) into cabinet with apron (A) as the shown picture. Put 8*bolts (H1) right into holes and use Allen key (H2) to lock.



Step 2 :
Attach 2 side stretchers (E) and front stretcher (F) into these desk legs like picture. After that, use 6*wooden screws (H3) to lock.



Step 3 :
Push the drawer close, assembly is completed.