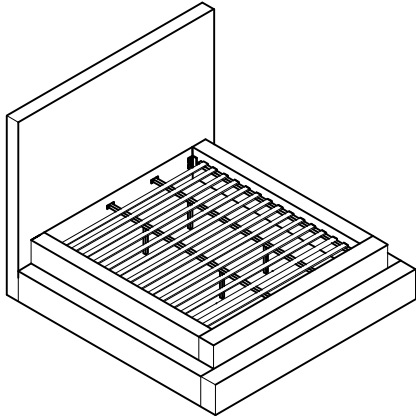


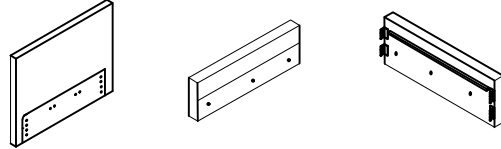
# ASSEMBLY INSTRUCTIONS

## BED - KING

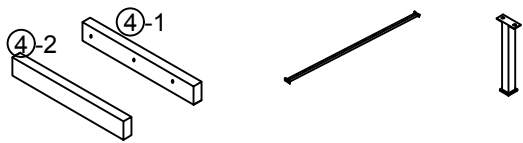


### + Parts Included

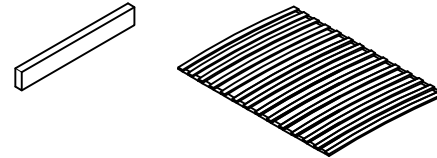
- ① Head Board (1pc)
- ② Inside Foot Board (1pc)
- ③ Inside Side Rails (2pcs)



- ④ outside Side Rails (2pcs)
- ⑤ Center Support Bar (2pcs)
- ⑥ Support Legs (4pcs)

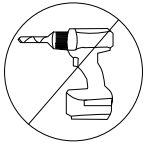


- ⑦ outside Foot Board (1pc)
- ⑧ Slats joint (1set=13pcs)

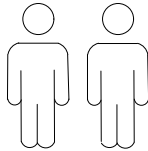


\*Slats come packed in the bottom of headboard carton.

### + Do Not Use Power Tools



### + Suggested Adults



#### NOTE :

- 1 Read instructions cover to cover.
- 2 Save all packaging until assembly is completed.

### 1 IMPORTANT SAFETY INFORMATION

Do not assemble the product if any of the following parts arrived damaged:

- Part #③/④-Side Rails
- Part #⑤ -Center Support Bar
- Part #⑥ -Support Legs
- Part #⑧-Slats joint

### 2 IMPORTANT ASSEMBLY INFORMATION

Assembly Step ③ Ensure the side rail bracket is fully hooked onto bolt **C** loosely threaded with both washers on the **OUTSIDE** of the bracket first, then proceed to fully tightening all 4 corners.

### + Hardware Included

- A Bolt M8\*30mm (16pcs)
- B Bolt M8\*200mm (9pcs)
- C Bolt M8\*40mm (16pcs)



- D Spring Washer (16pcs)
- E Flat Washer  $\phi 20$  (32pcs)
- F M8 Allen Key (1pc)



- G Flat Washer  $\phi 22$  (9pcs)
- I Nut M8\*13mm (17pcs)



- J Spanner (1pc)



# ASSEMBLY INSTRUCTIONS

## BED - KING

