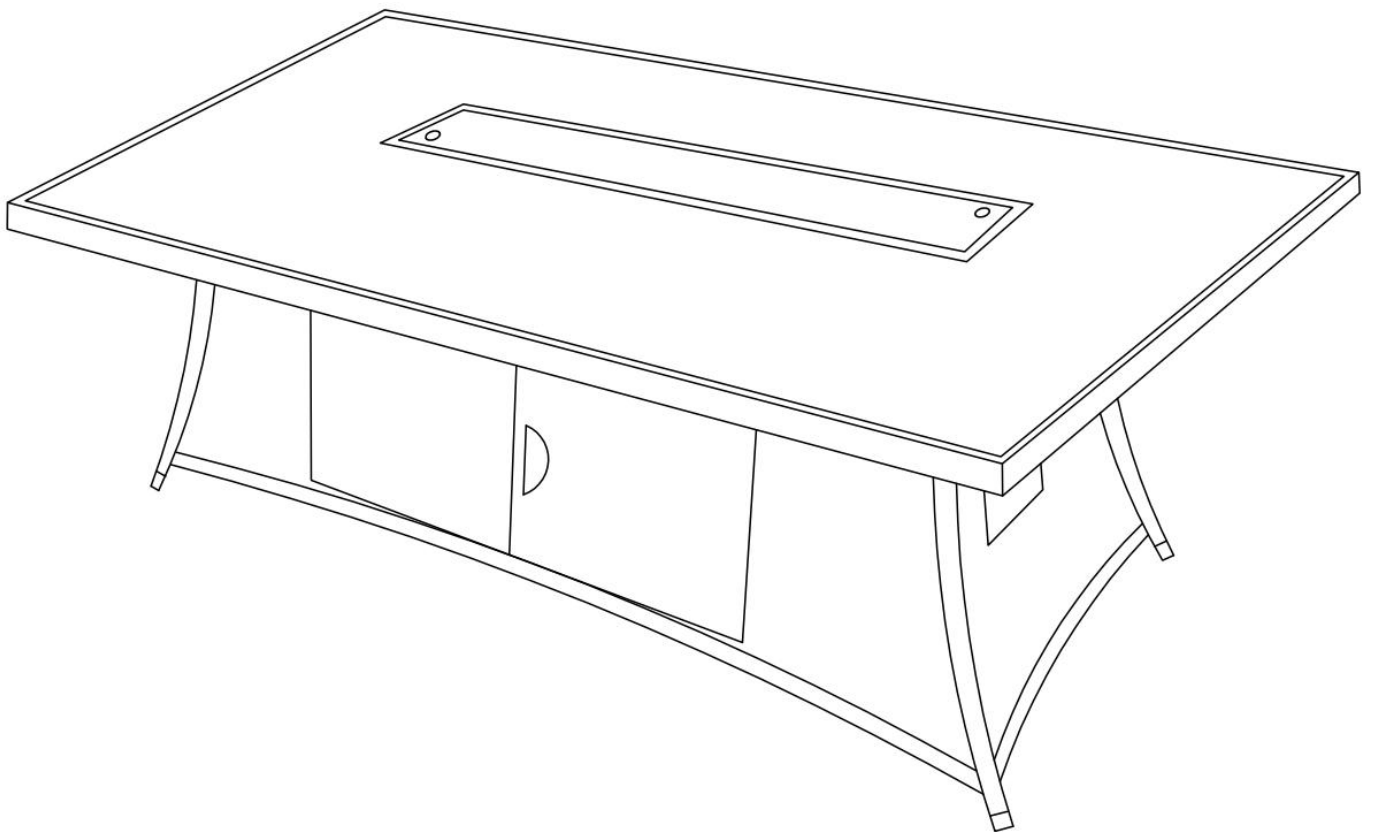

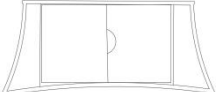



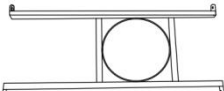
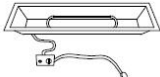


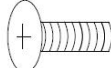




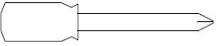



OUTDOOR FIREPIT

INSTALLATION AND USER'S INSTRUCTIONS



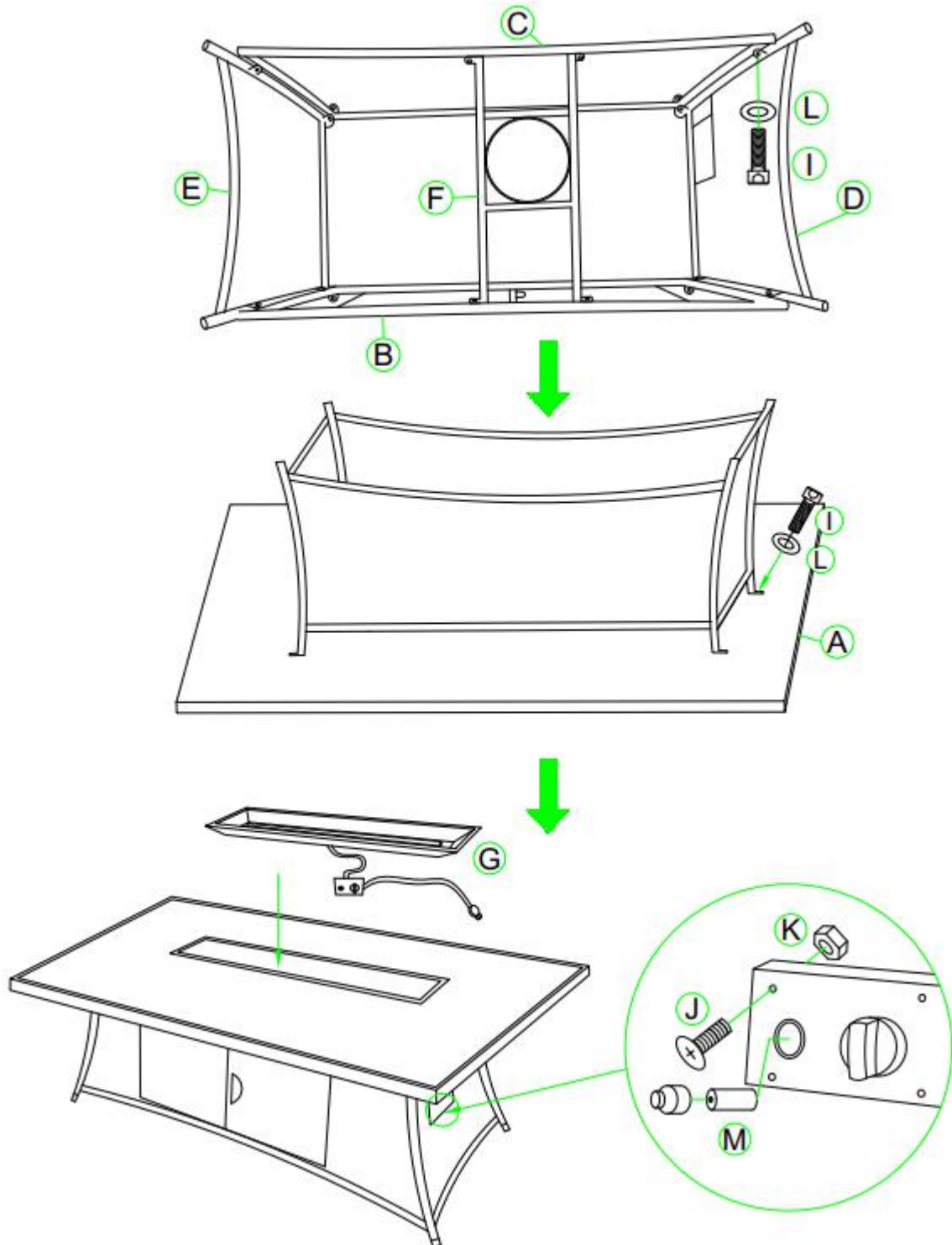
PACKAGE CONTENTS

	PART	DESCRIPTION	QTY
A		FIREPIT TABLETOP	1
B		PART A	1
C		PART B	1
D		PART C	1
E		PART D	1
F		PART E	1
G		RECTANGULAR BRAZIER	1
H		BURNER COVER	1
I		1/4"*18 BOLTS	16
J		M4*25 BOLTS	4
K		M4 SCREW NUT	4
L		WASHERS	16
M		"AAA" BATTERY (1.5V)	1
N		GLASS	1
O		SCREWDRIVER	1
P		HEX BOLT DRIVER	1

ASSEMBLY

NOTE: It is best to use TWO PEOPLE for assembly of this gas fire pit.

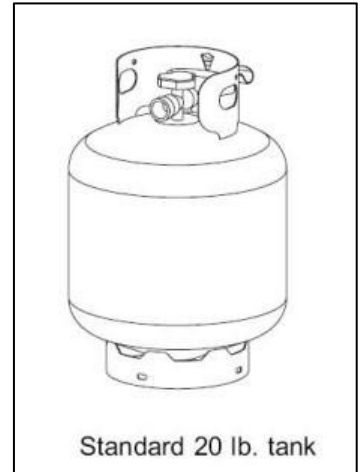
1. Carefully unpack all items from the box. Place the base in the final position. There must be a minimum of 48 in / 122 cm of clearance from the side of the table top to any combustible walls.
2. Place the tabletop on the base. Secure the tabletop to the firepit base using the bolts and washers that are provided



3. Pour the lava rock into the burner pan completely covering the burner.

4. Connect the hose and regulator to the cylinder. The propane gas and cylinder are sold separately. Use a standard 20 lb / 9.1kg. propane cylinder only. Use this fire pit only with a propane vapor withdrawal supply system. See Chapter 5 of the standard for storage and handling of liquefied petroleum gas, ANSI/NFPA 58. Your local library or fire department should have this book. Storage of an appliance indoors is permissible only if the cylinder is disconnected and removed from the appliance. A cylinder must be stored outdoors in a well-ventilated area out of reach of children. A disconnected cylinder must have dust caps tightly installed and must not be stored in a building, garage or any other enclosed area. The maximum inlet gas supply pressure: 250 psi..

The minimum hourly of 50000 Btu is required input rating for a fire pit at rating less than full input rating. The pressure regulator and hose assembly supplied with the appliance must be used. The installation must conform with local codes, or in the absence of local codes, with national fuel gas code, ANSI Z223.1/NFPA54, natural gas and propane Installation Code, CSA B149.1, or propane storage and handling code, B149.2.

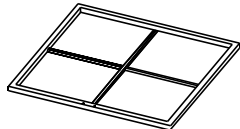
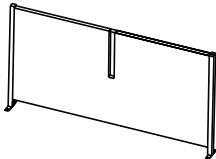
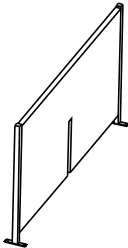
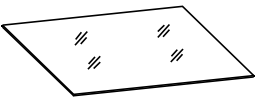

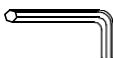
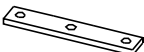


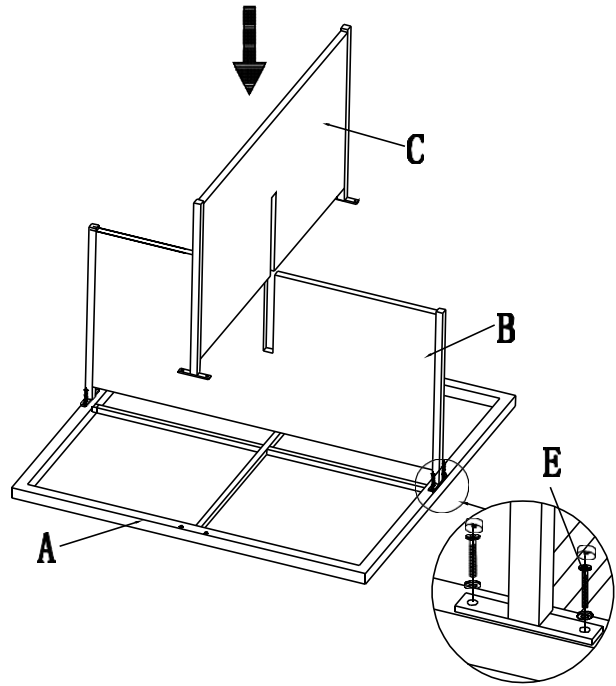
TABLE

ASSEMBLY INSTRUCTIONS

BEFORE YOU START ASSEMBLING YOUR FURNITURE:

- CHECK THAT YOU HAVE ALL THE PIECES LISTED ON THE LEFT HAND SIDE.
- LAY A CLEAN SHEET ON A FLAT SURFACE BIG ENOUGH TO ASSEMBLE YOUR FURNITURE ON IN ORDER TO PROTECT YOUR FURNITURE.

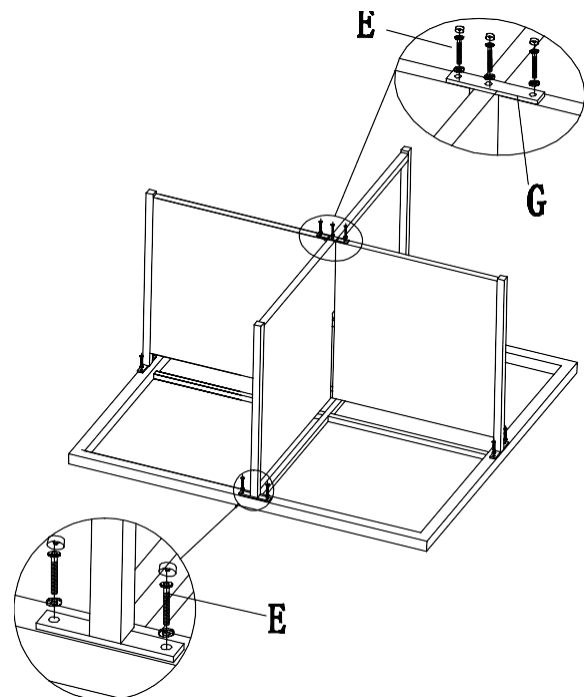
A	1	
B	1	
C	1	
D	1	
E	11	 M6*20
F	1	
G	1	



1.

Lay the table top (A) down so the frame is facing upwards. With the slit facing upwards, attach chair legs (B), to the table top (A) . Insert screws (E) through the washer and into the holes and loosely tighten with the allen key (F).

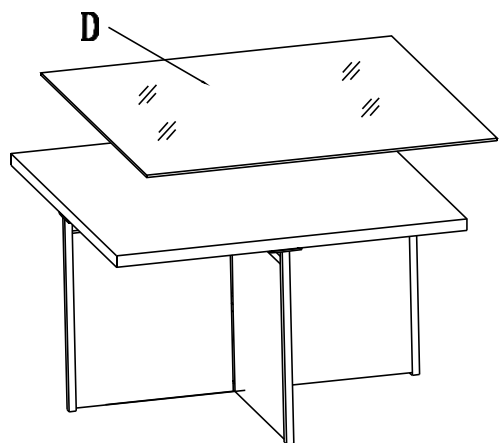
Then insert table leg (C) into position over the slit of table leg (B) and align the screw holes with the holes in the table top (A). Insert screws (E) through the washer and into the holes and loosely tighten with the allen key (F) in the locations shown in the image below.



2.

Attach both the table legs together by placing the bracket (G) over the screw holes on the bottom of table leg (B & C) as shown in the above image and inserting the three remaining screws (E) through the washers and into the bracket and table legs. Fully tighten using the allen key (F).

Fully tighten all of the screws in the table using the allen key (F) then place the screw caps over all of the screws.



3.

Turn the table upright and place the tempered glass (D) over the table top.

