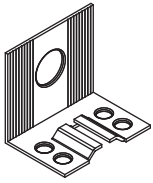
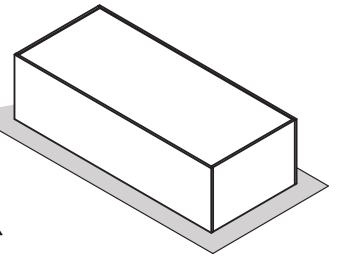
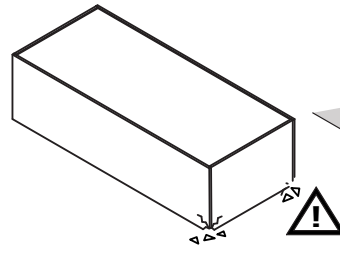
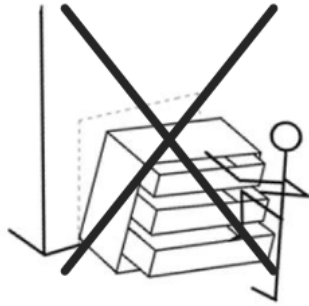
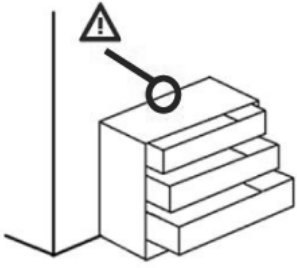
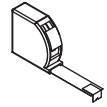
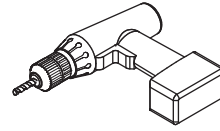
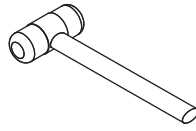
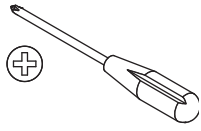


1,5h



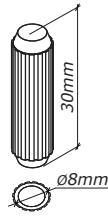
**H16**  
x1



**H106**  
x1



**G136**  
x20



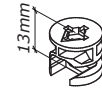
**H1**  
x12



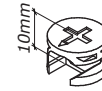
**H15**  
x12



**T28**  
x30



**T99**  
x10



**T98**  
x20



**V137**  
x12



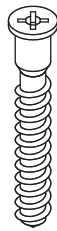
**H2**  
x8



**V13**  
x12



**V10**  
x2



**V45**  
x2



**V98**  
x18



**V70**  
x12



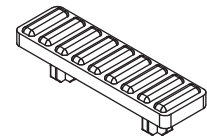
**V5**  
x32



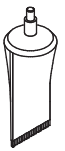
**T53**  
x6



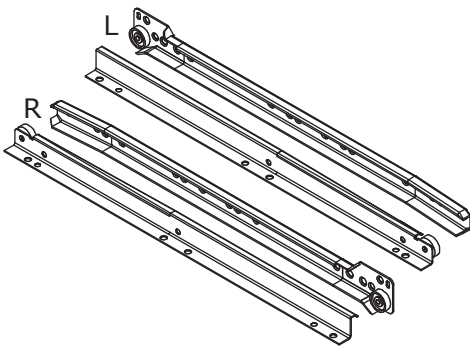
**H113**  
x12



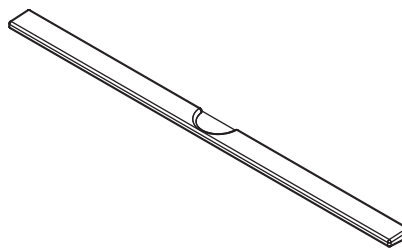
**P6**  
x6



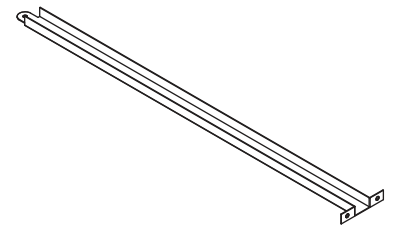
**H14**  
x2



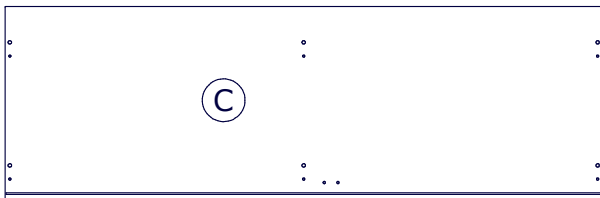
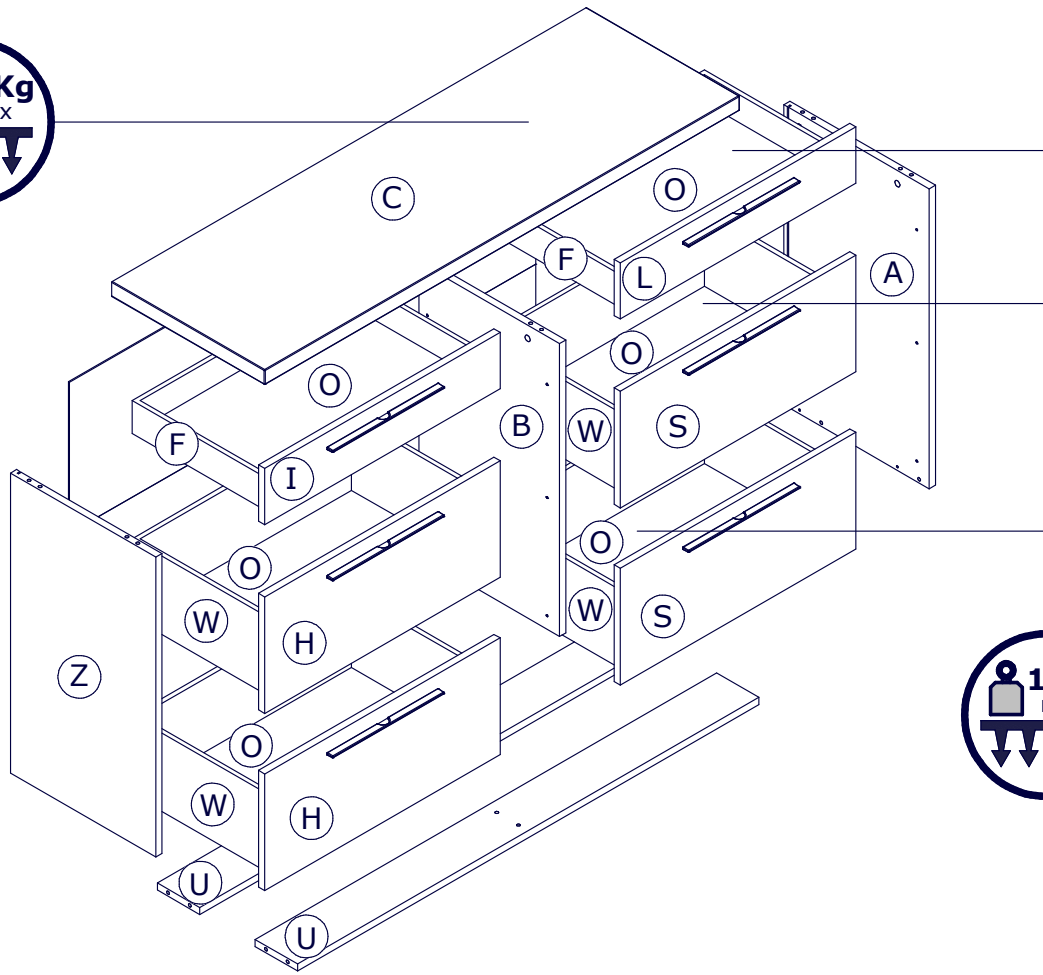
**A12**  
x6



**M105**  
x6



**W398**  
x6



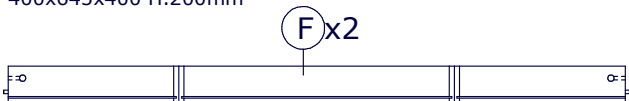
• CA2869  
1398x450x38mm



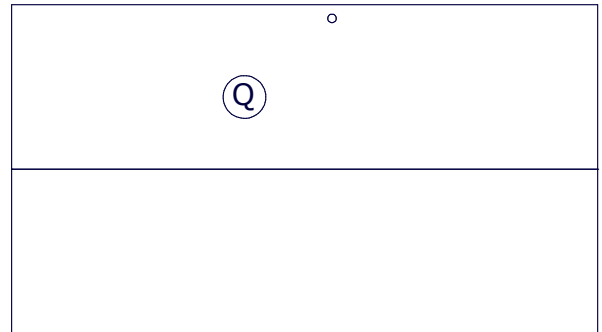
• FS2395  
1358x125x18mm



• OF0303  
400x645x400 H.200mm



• OF0304  
400x645x400 H.84mm



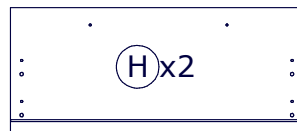
• SS0608  
1372x770x3mm



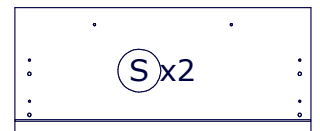
• CS2325  
693x143x18mm



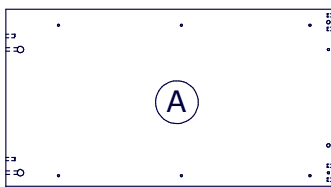
• CS2331  
693x143x18mm



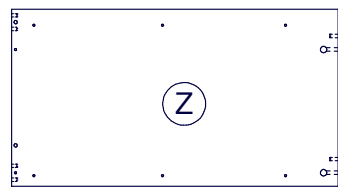
• CS2327  
693x297x18mm



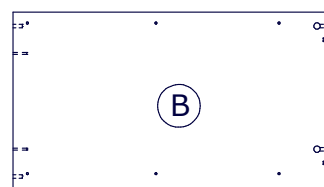
• CS2333  
693x297x18mm



• FI7025  
764x428x18mm



• FI7026  
764x428x18mm



• TR1720  
746x414x18mm

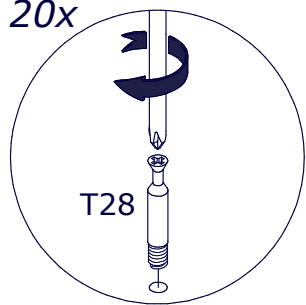


• SH2620  
632x401x3mm

1

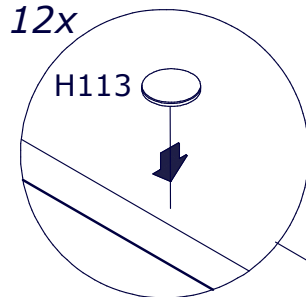


20x

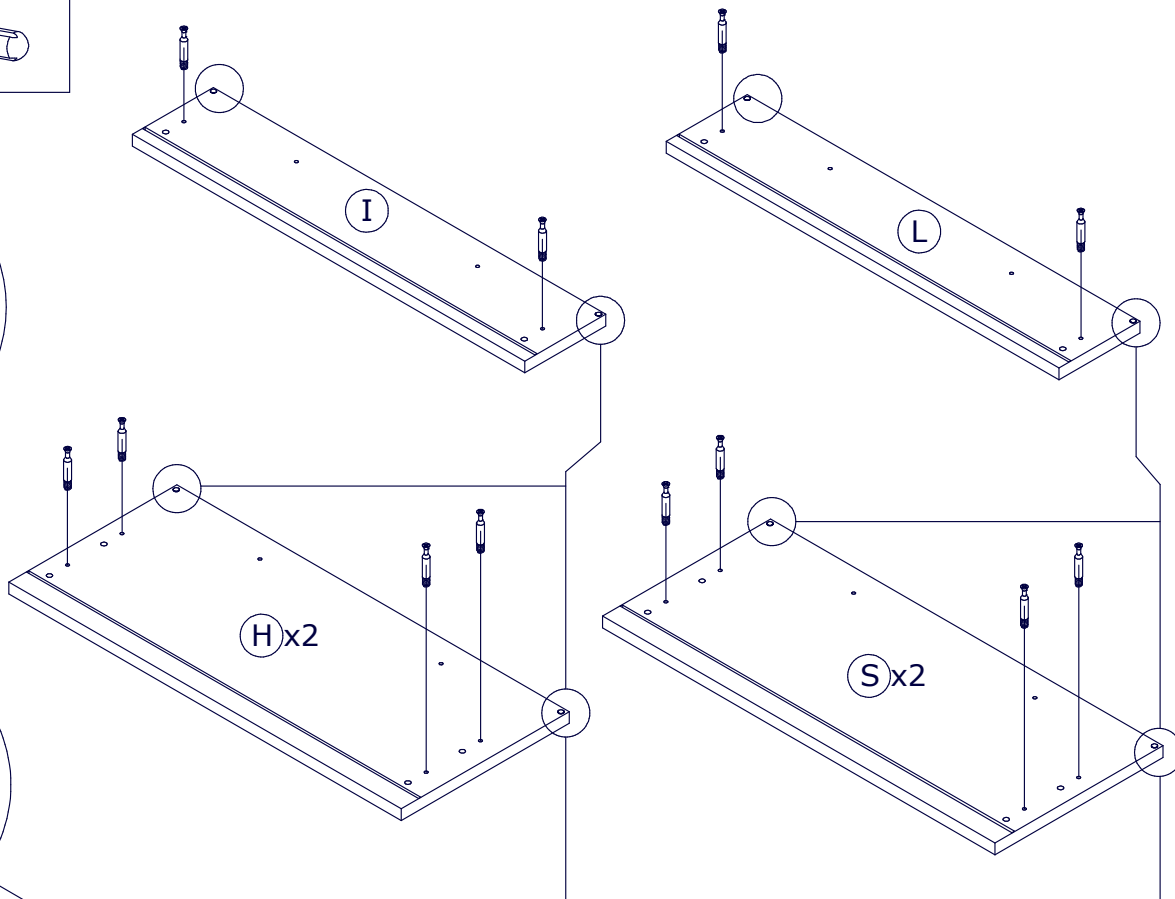


T28

12x



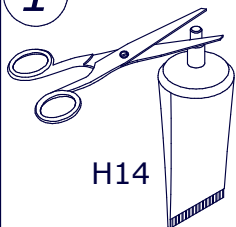
H113



2

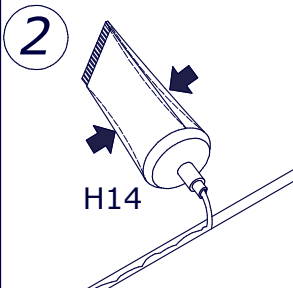


1

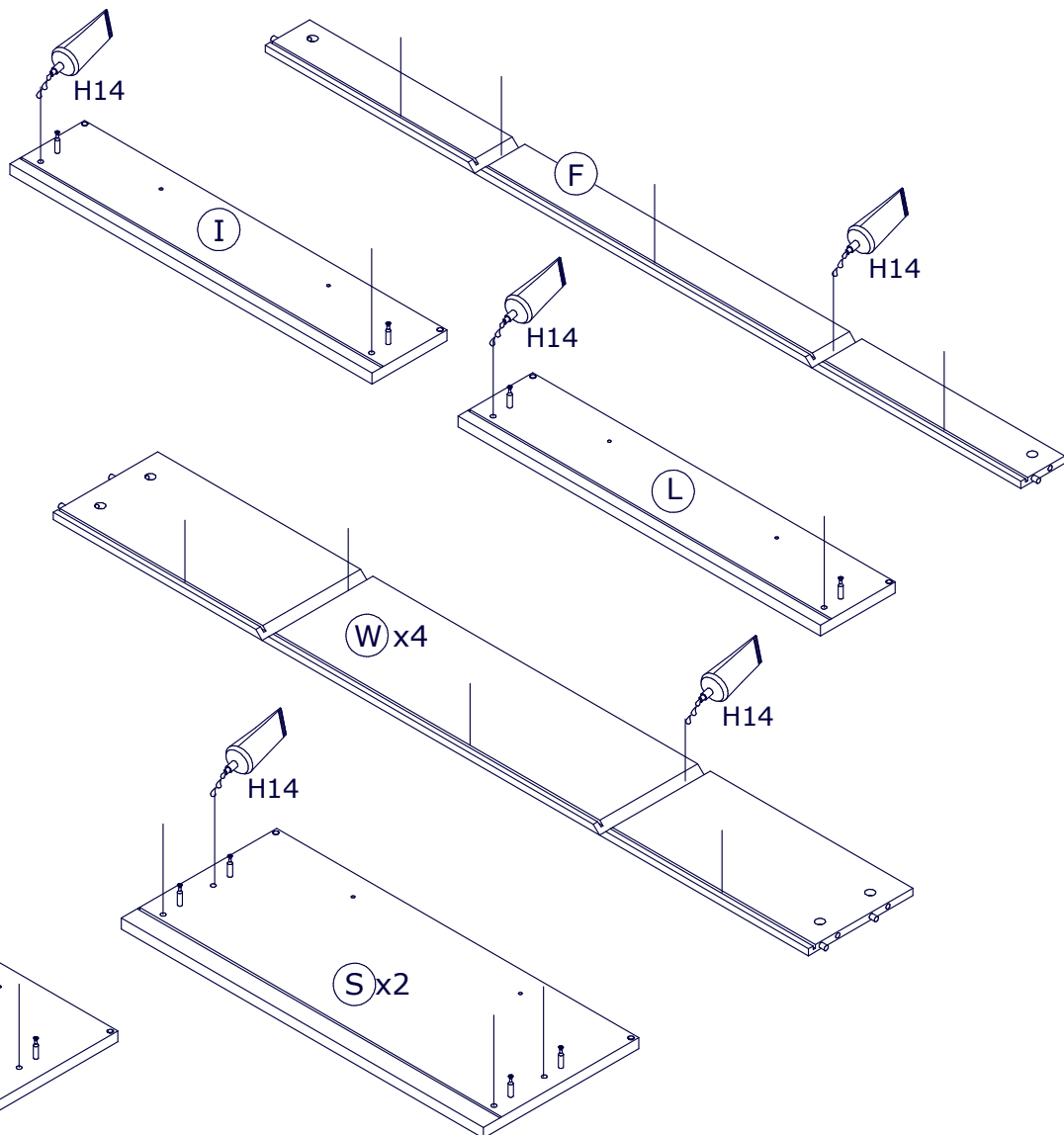


H14

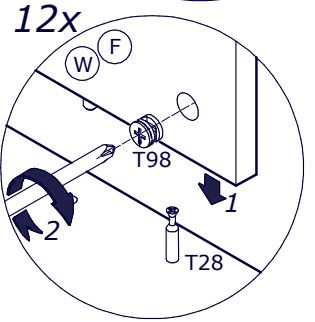
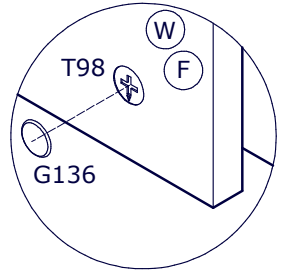
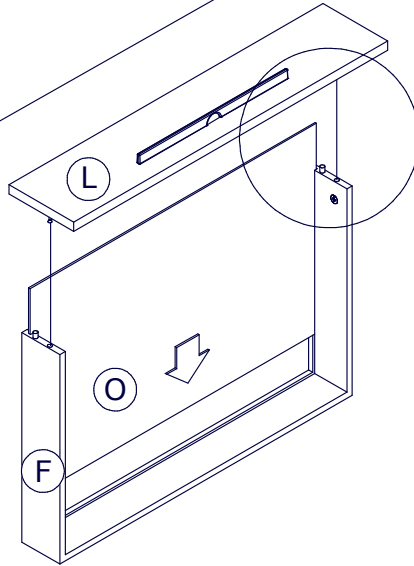
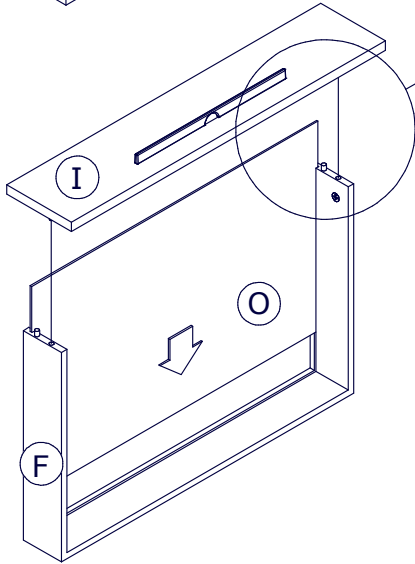
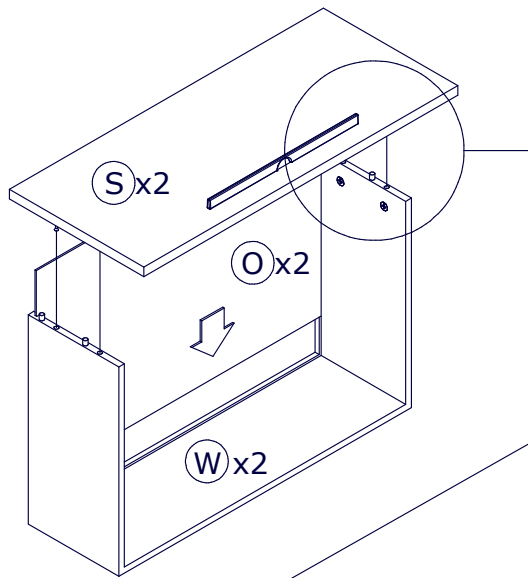
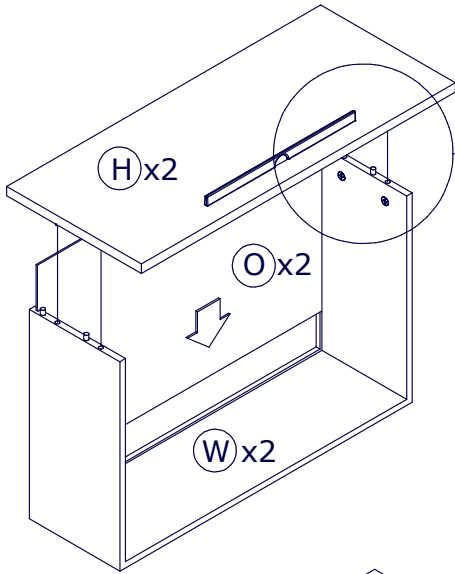
2



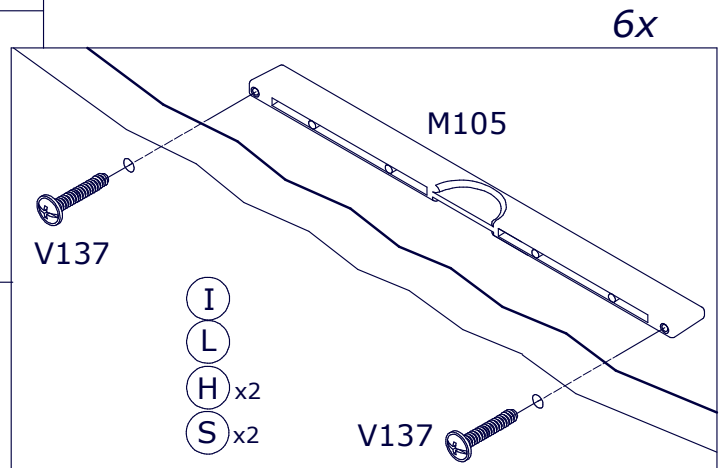
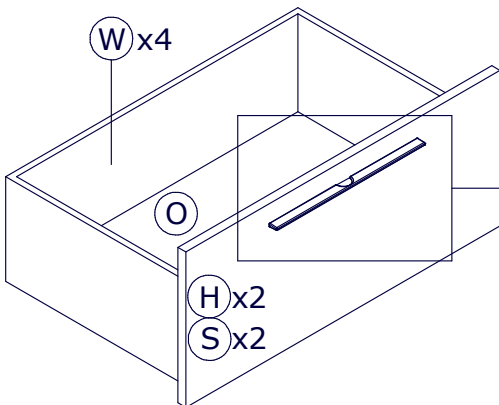
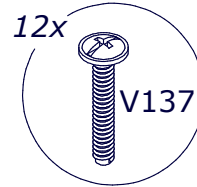
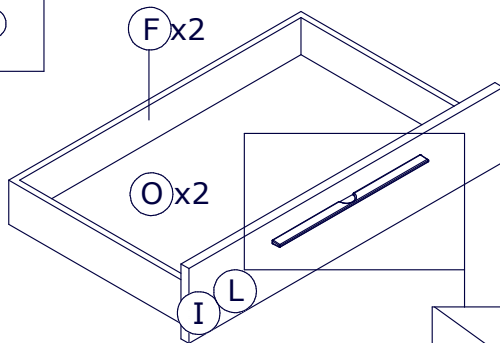
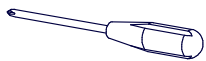
H14



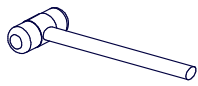
3



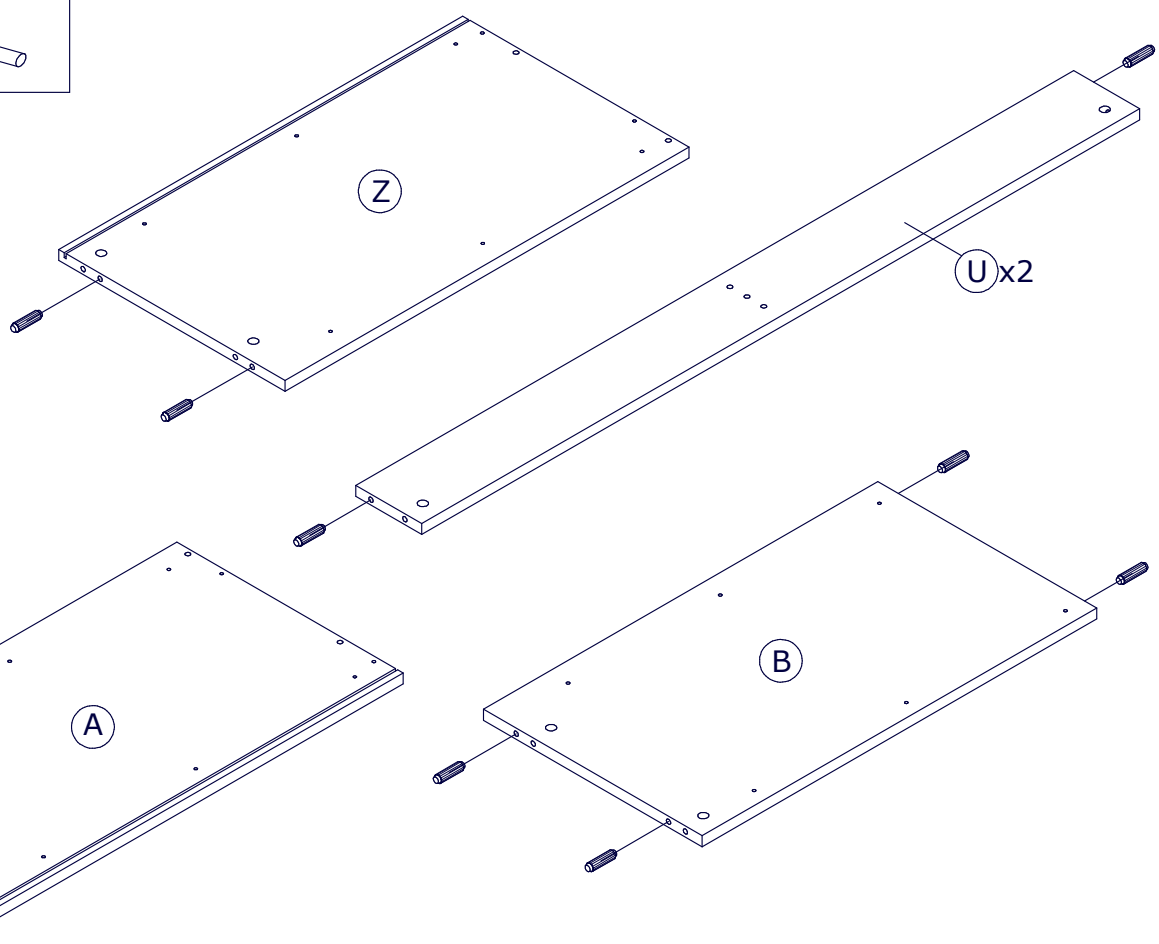
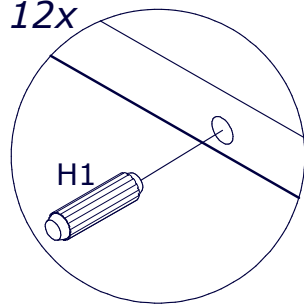
4



5



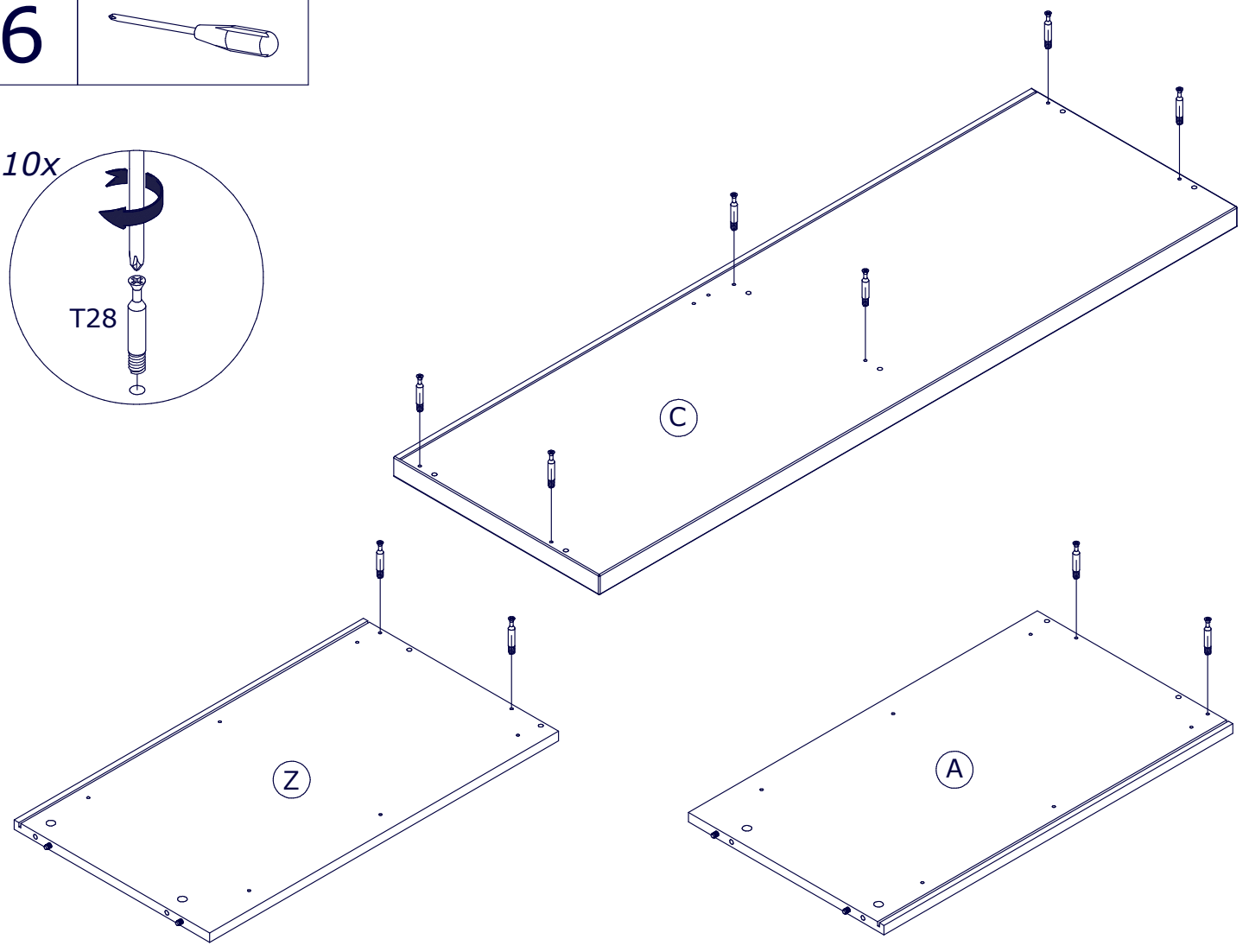
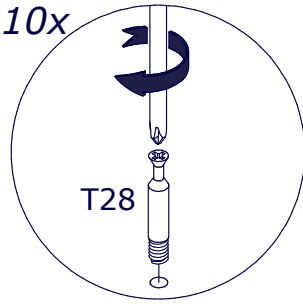
12x



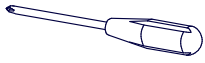
6



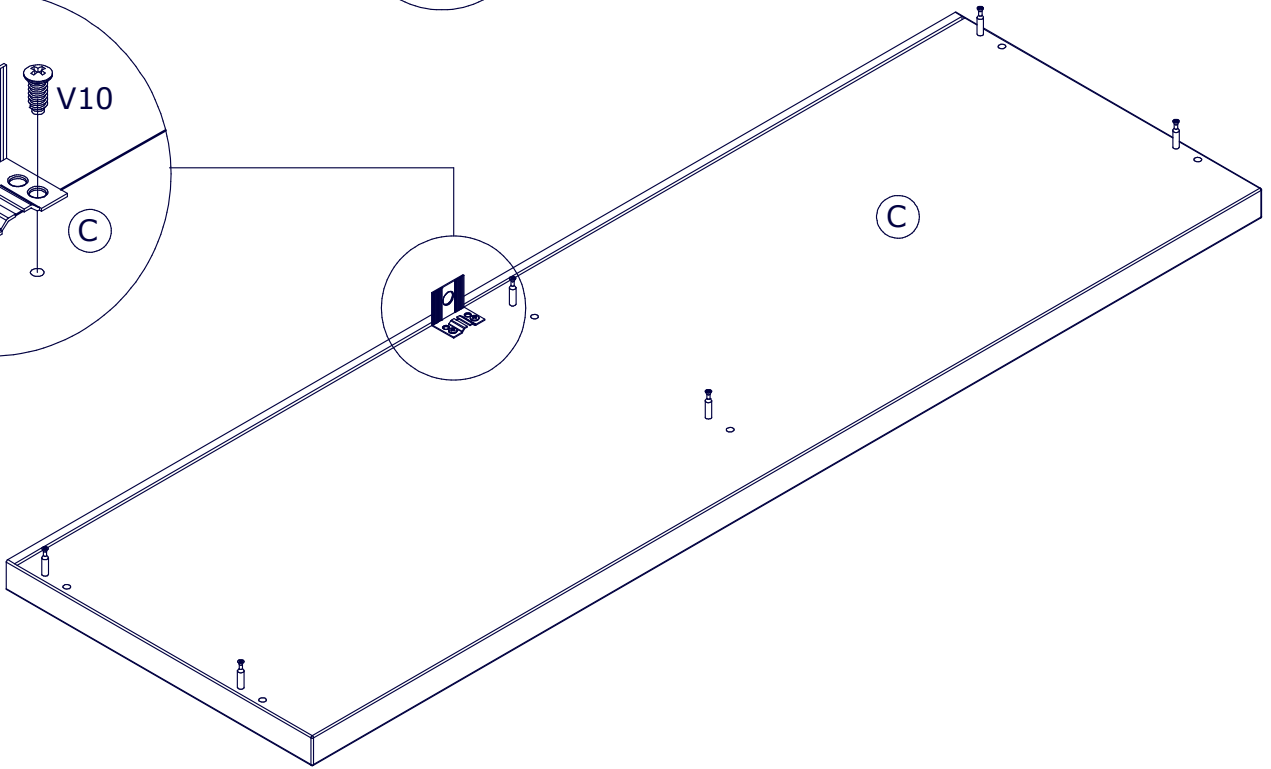
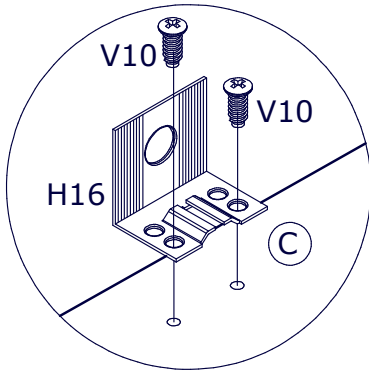
10x



7

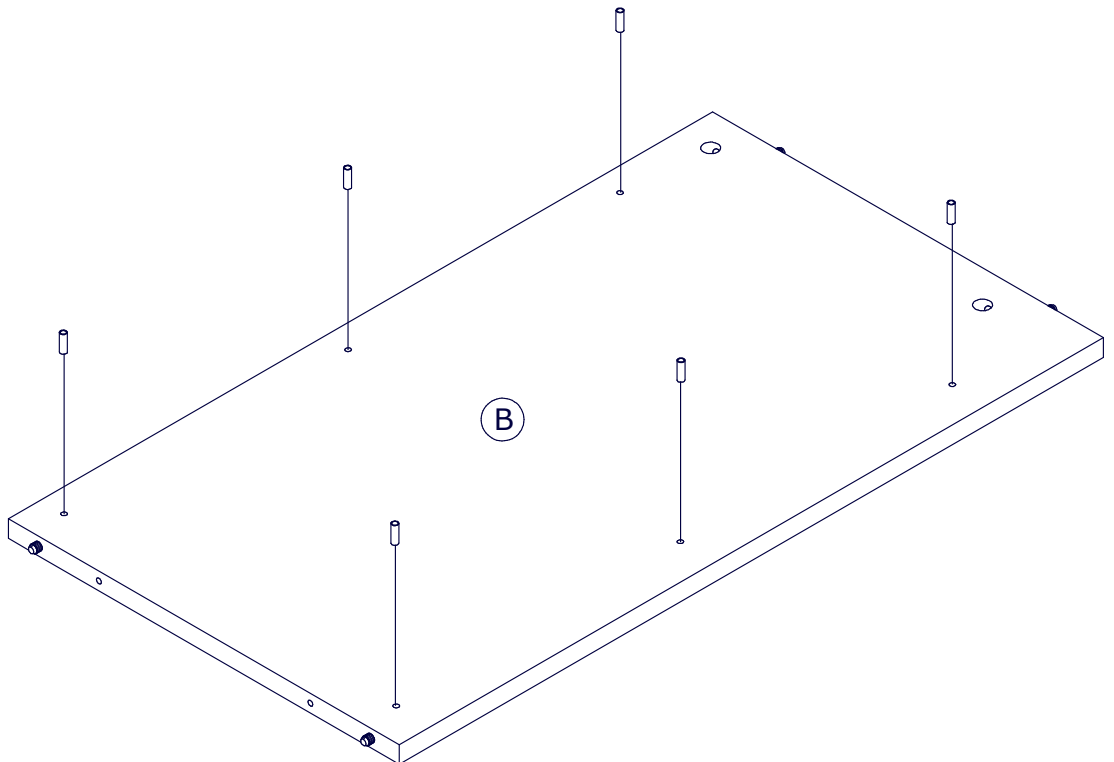
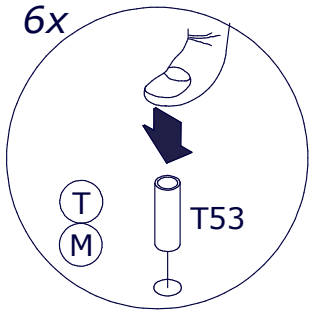


2x V10

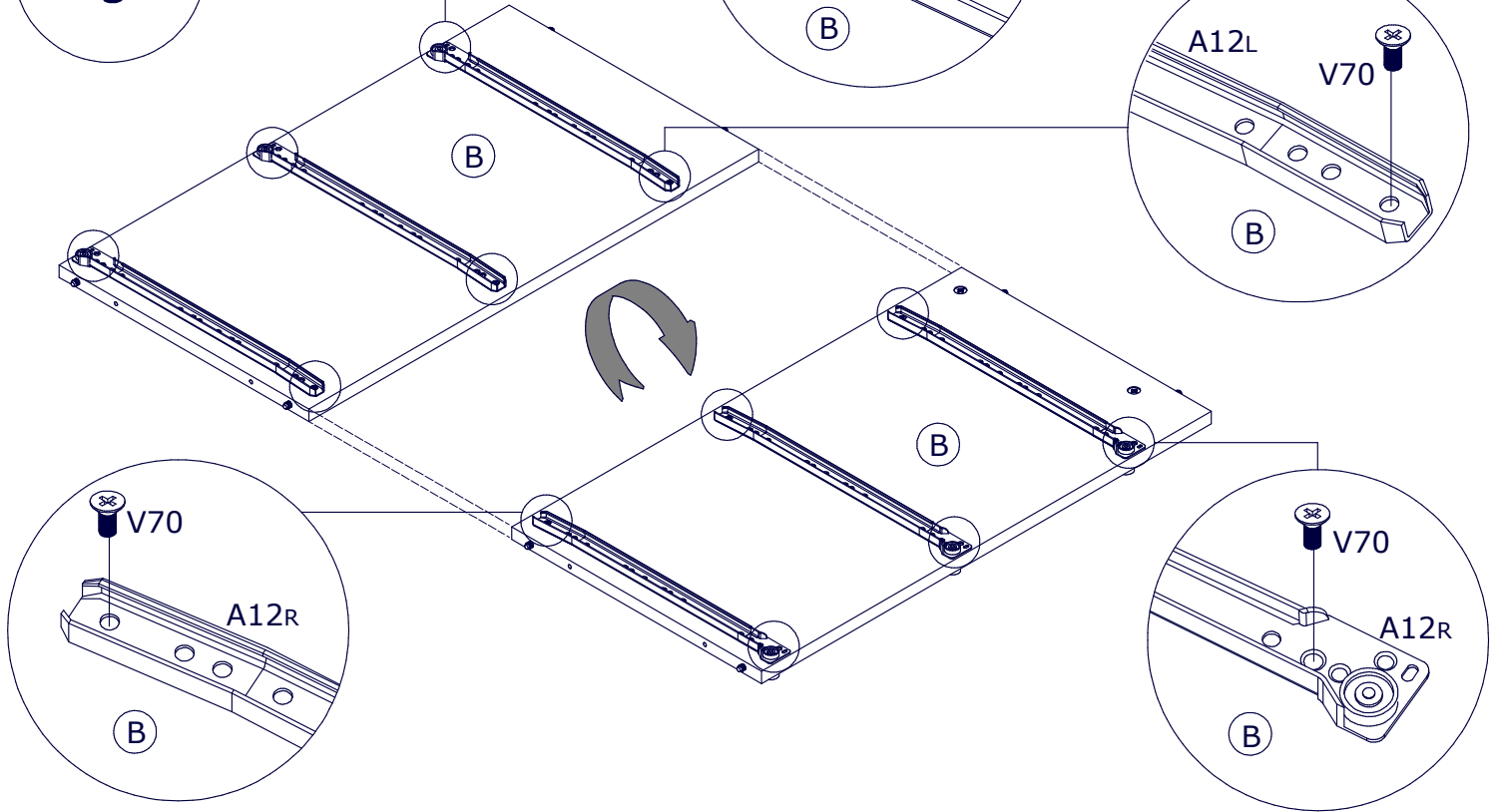
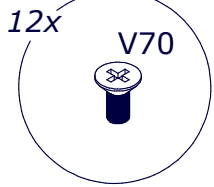
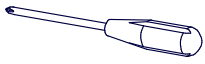


8

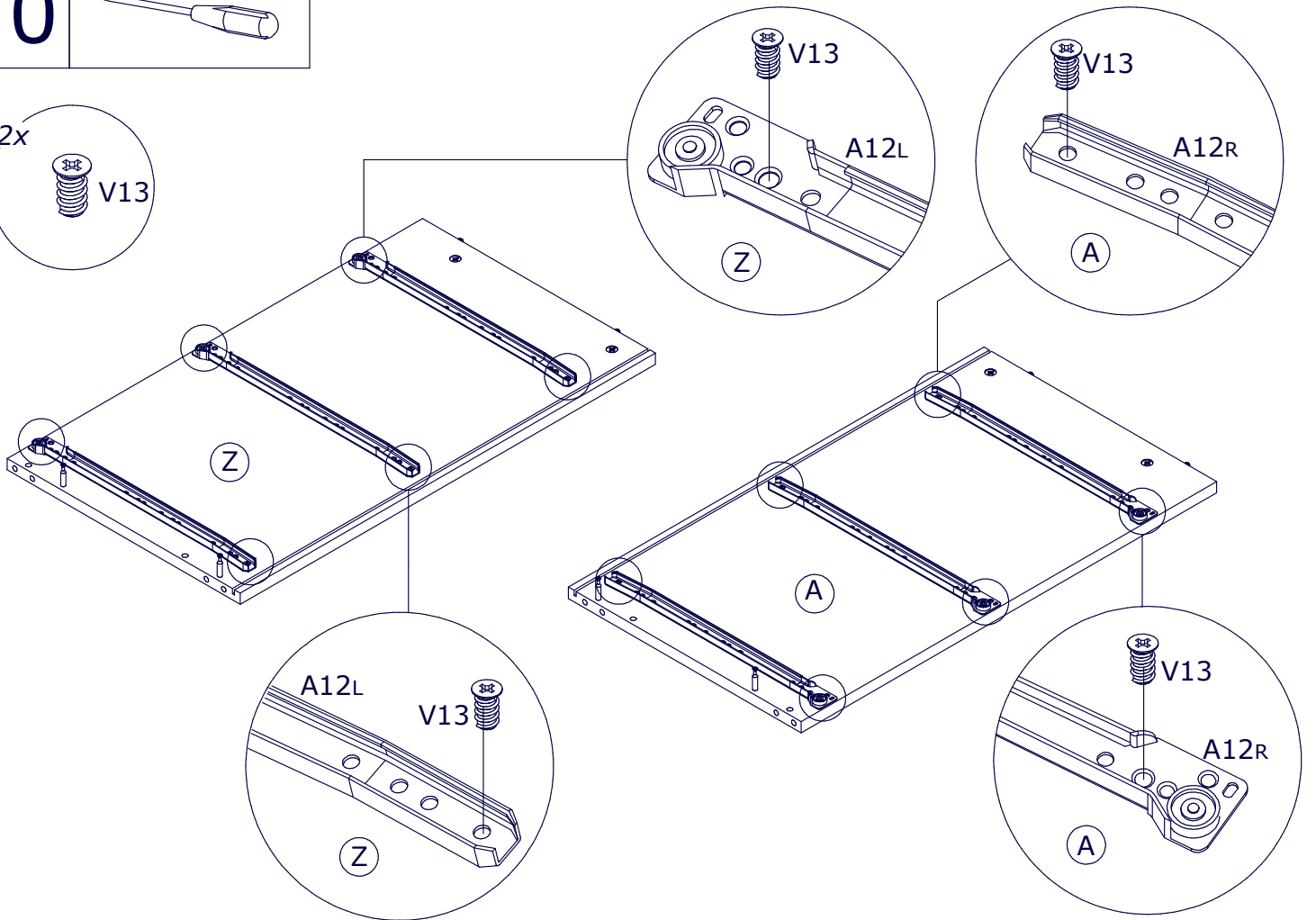
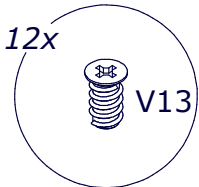
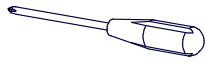
6x



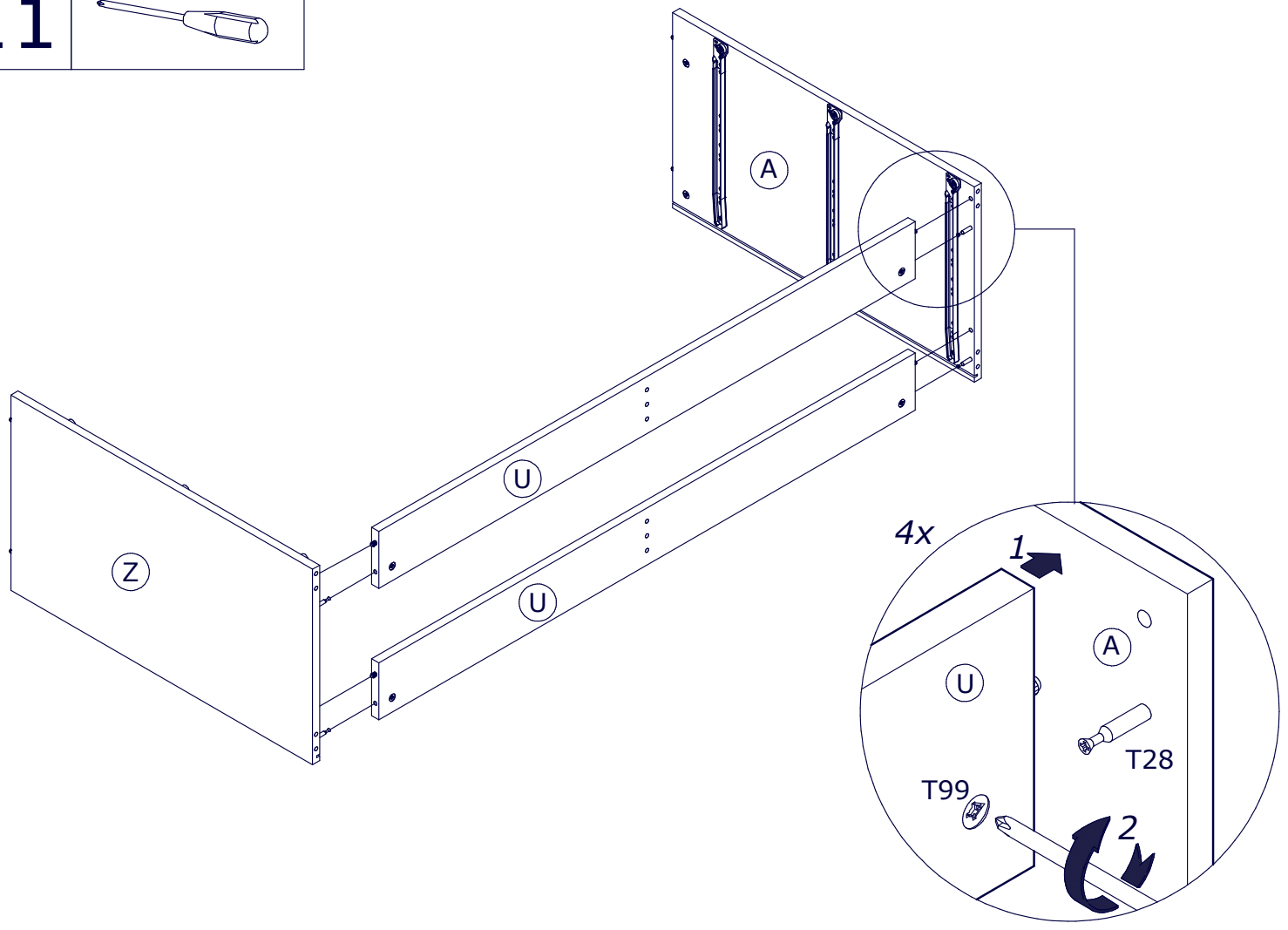
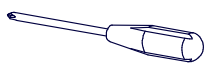
9



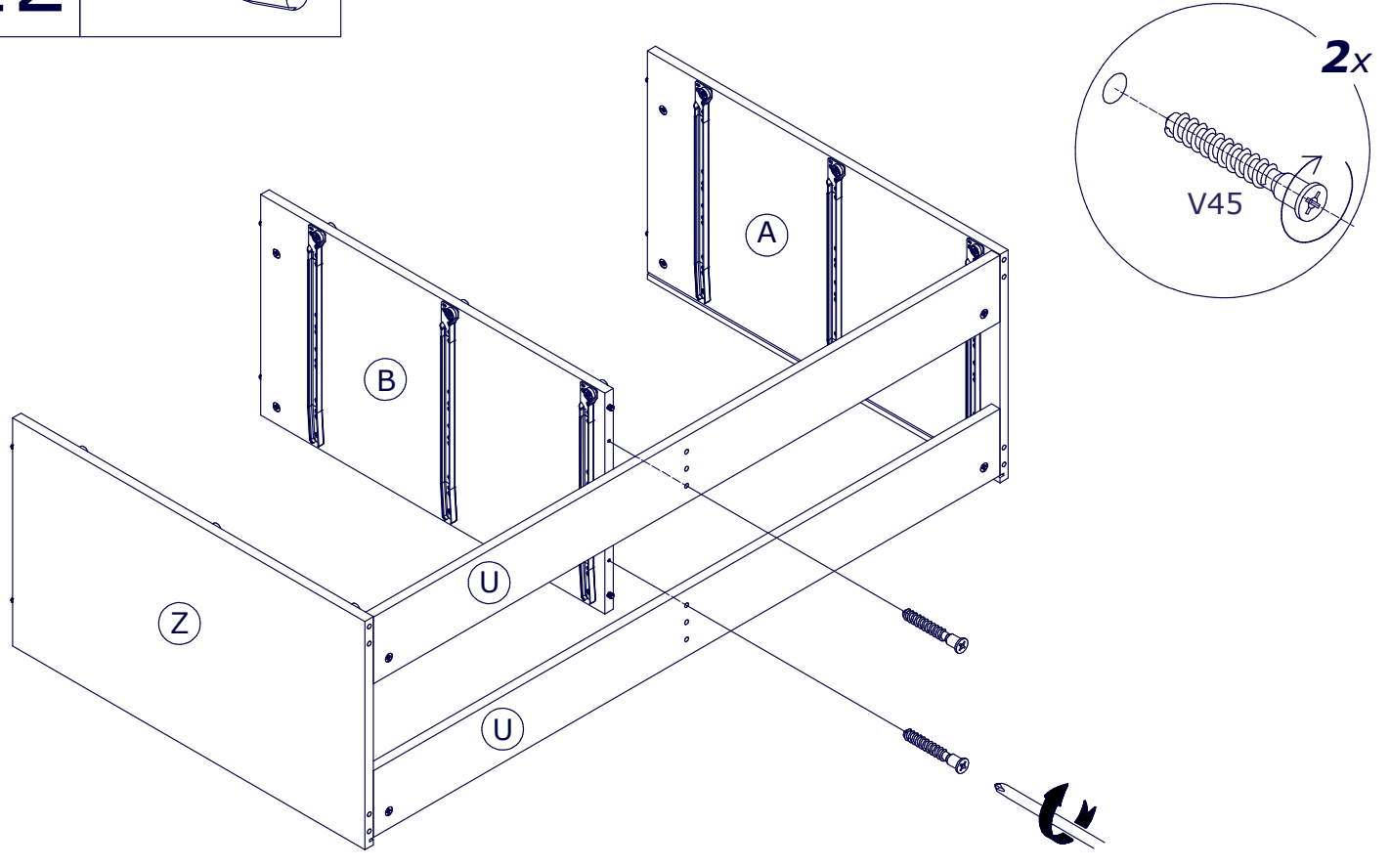
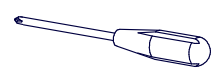
10

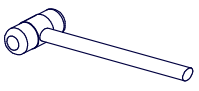


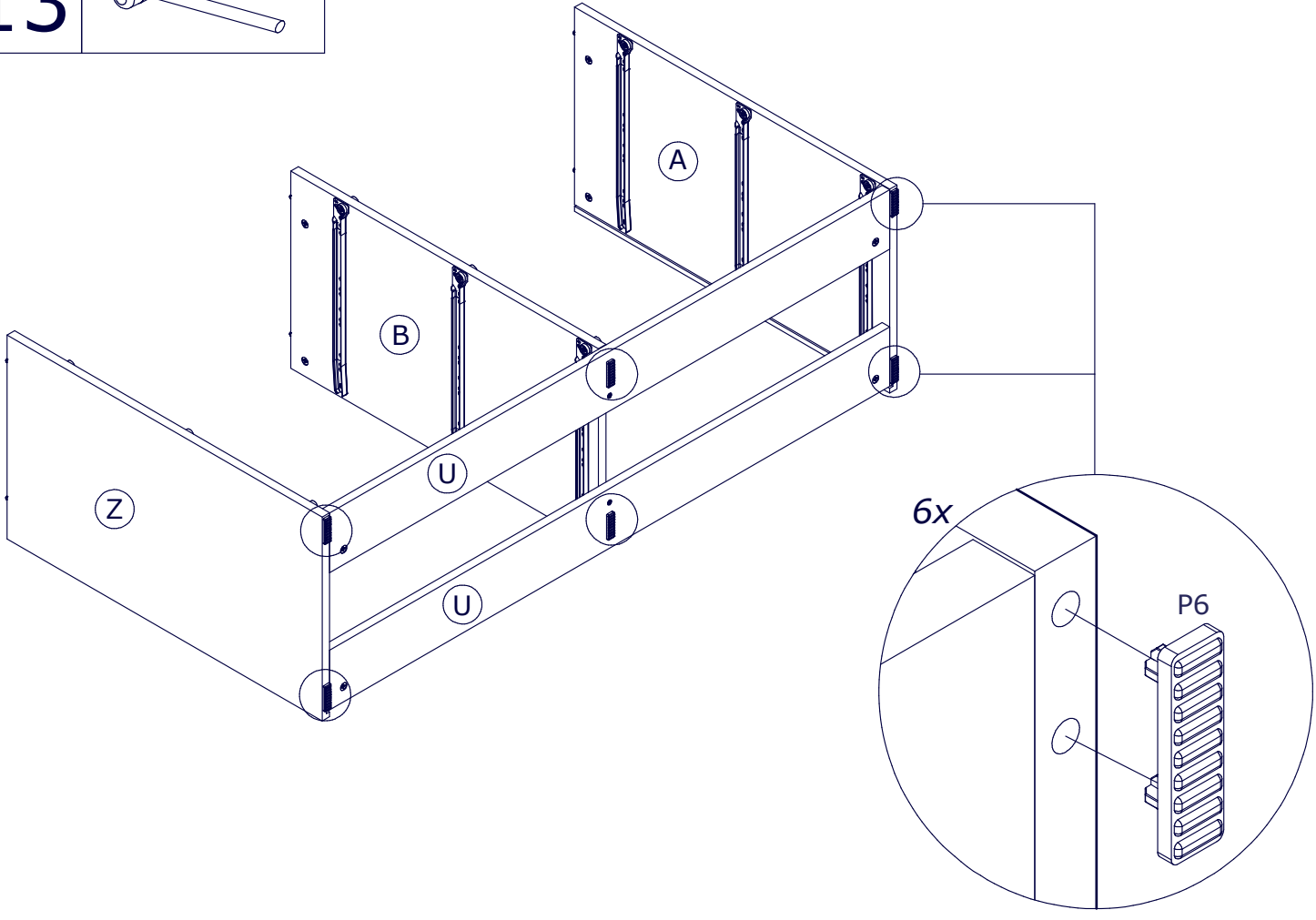
# 11

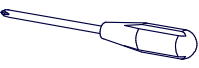


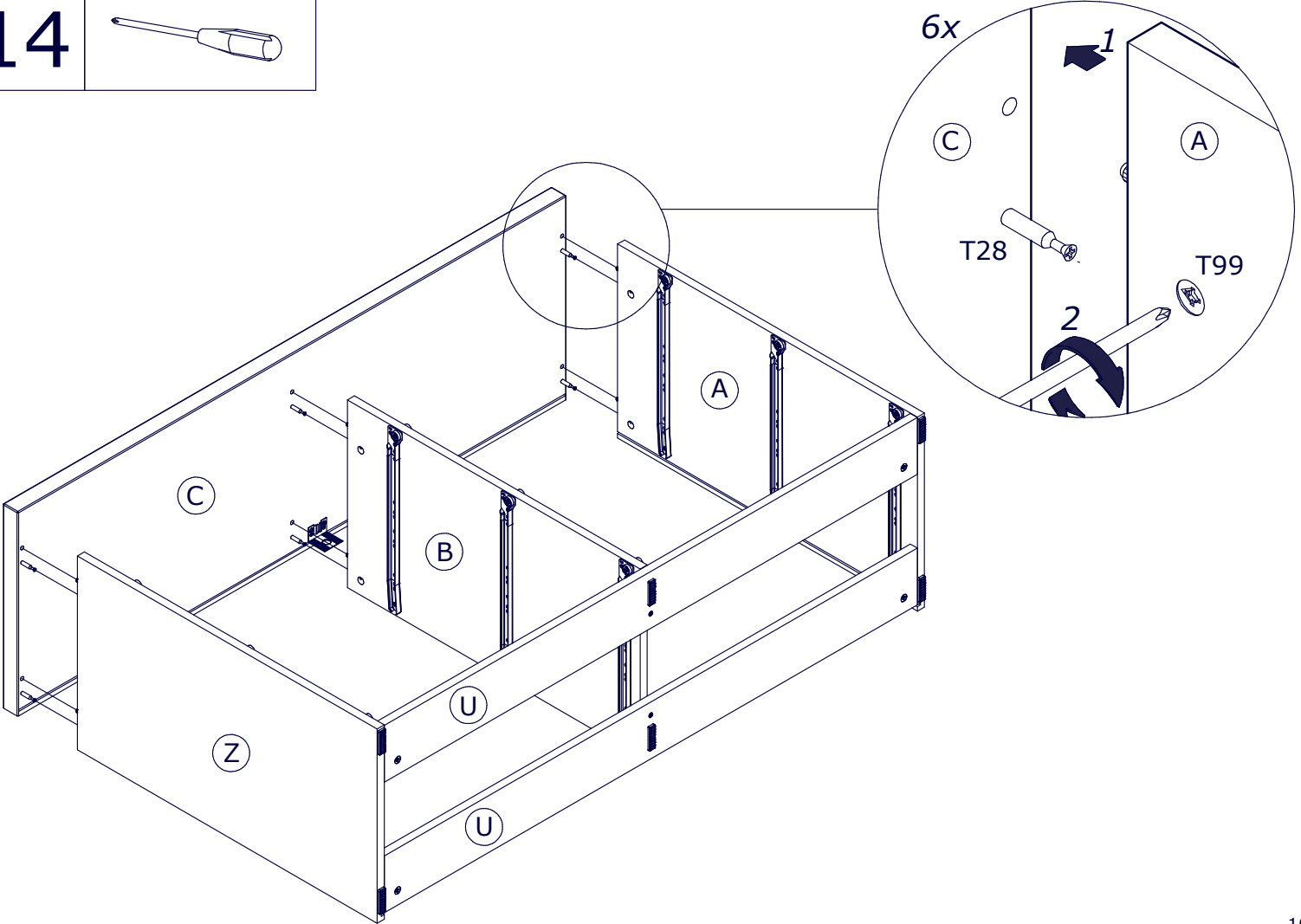
# 12



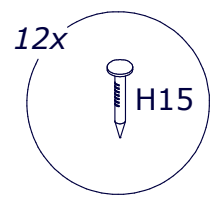
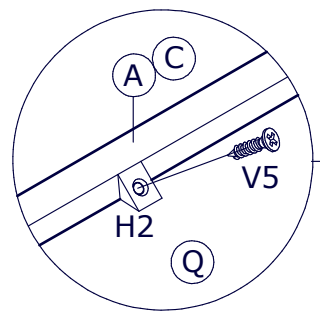
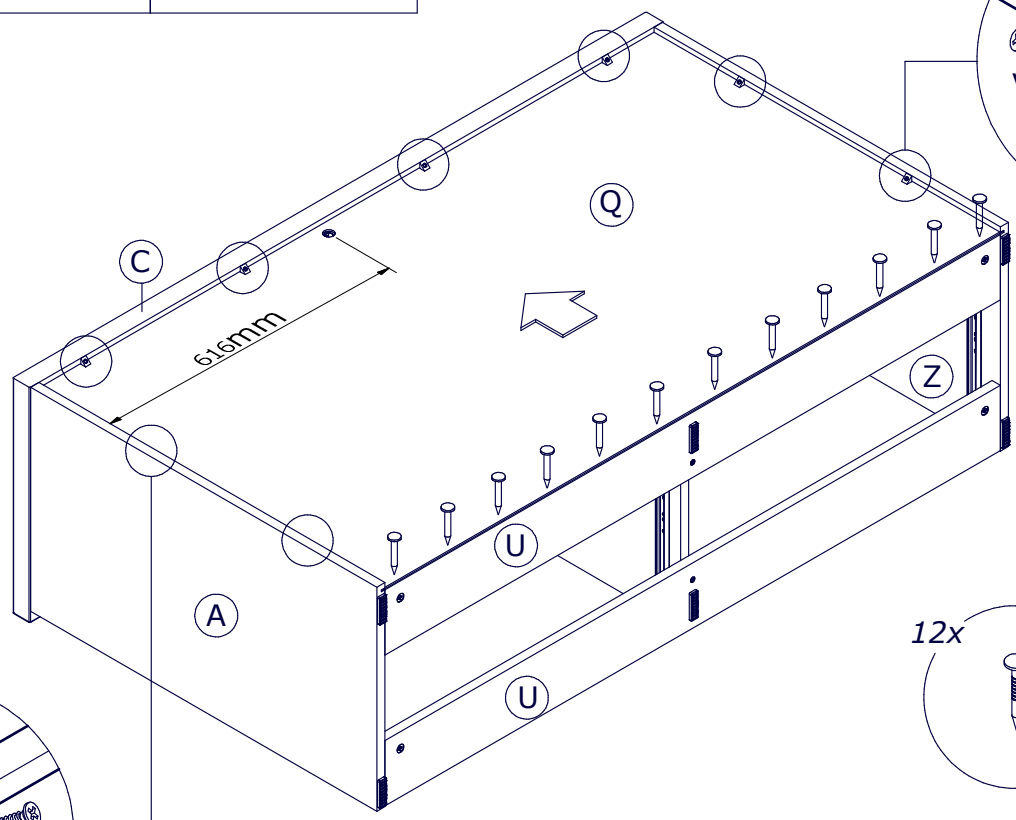
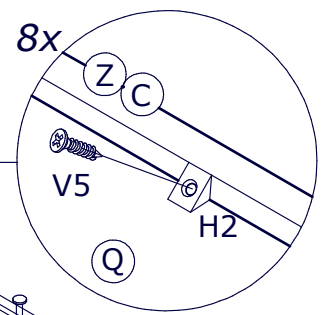
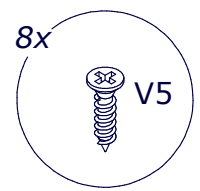
**13** 



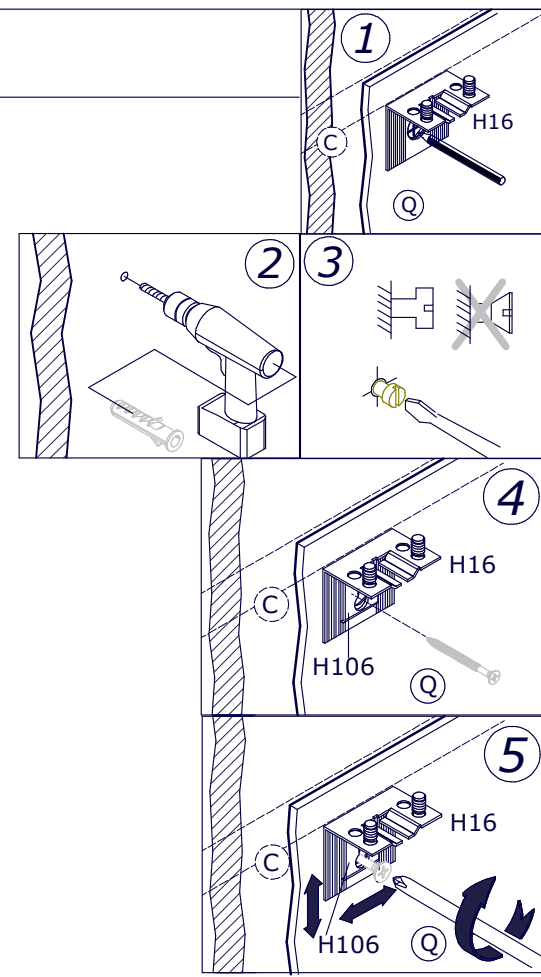
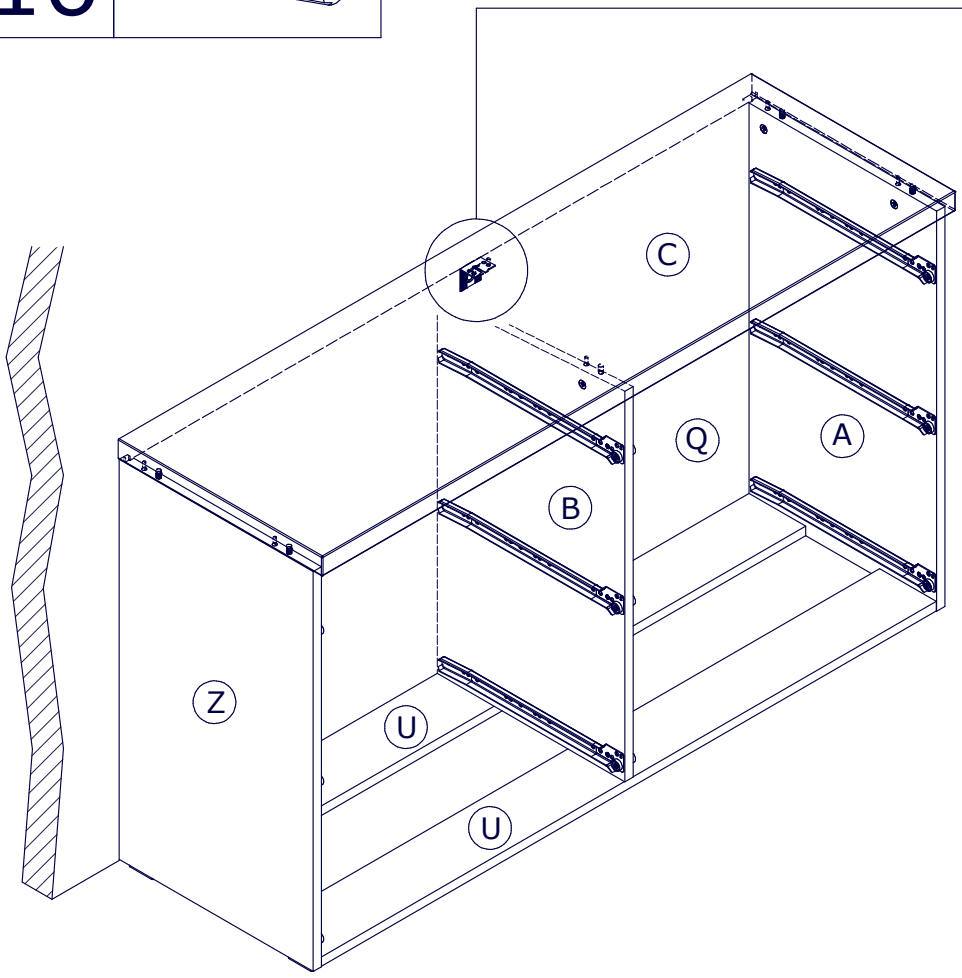
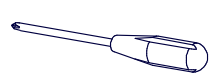
**14** 



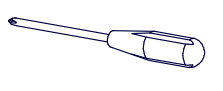
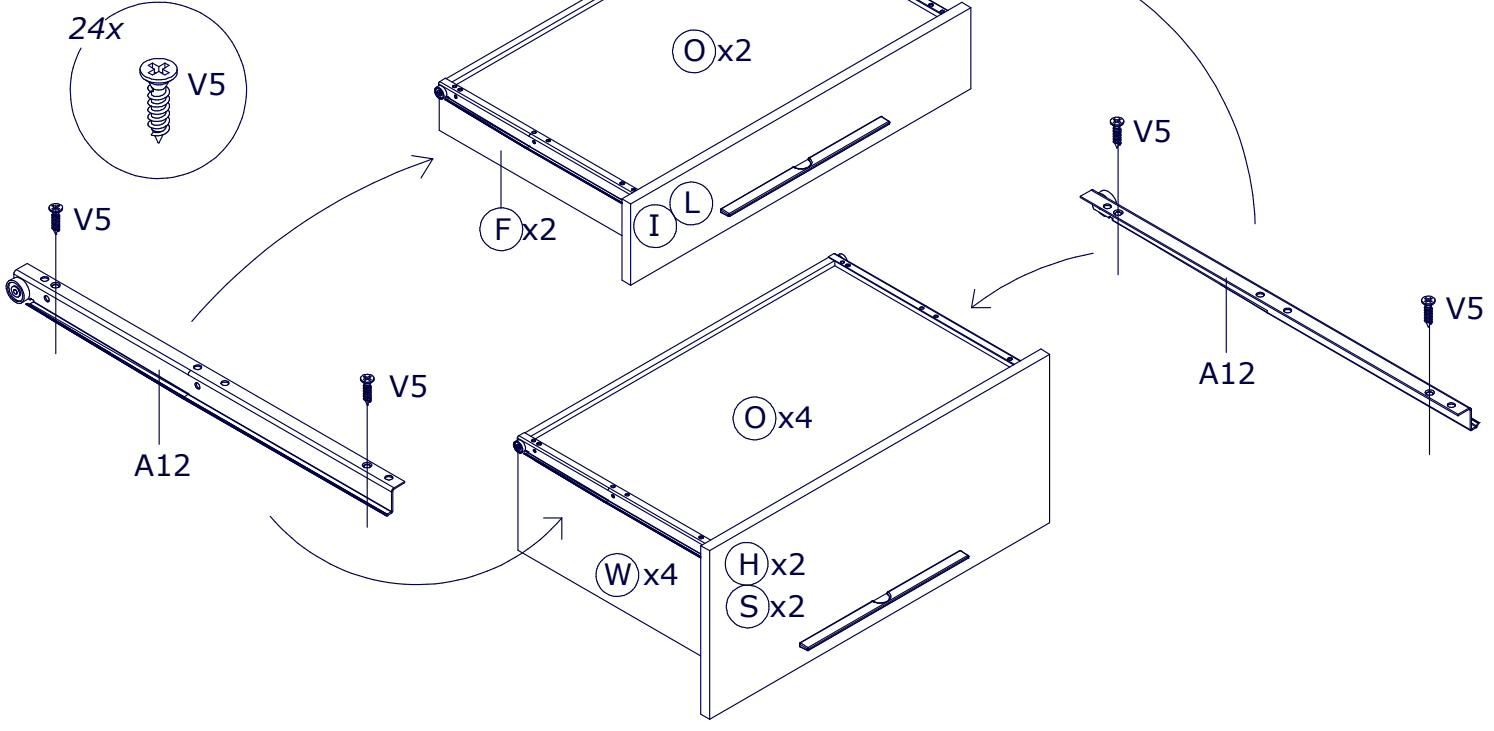
# 15



# 16



# 17

# 18

