

PULSAR 12 Outdoor Shower



-  brushed
PLSR12-BR
-  matte black
PLSR12-MB

SPECIFICATIONS

MATERIAL: 316 marine grade stainless steel

FEATURES: pressure balance valve
two-way diverter
hand shower
rain shower head
built-in part for easy installation

WEIGHT: 39 lbs

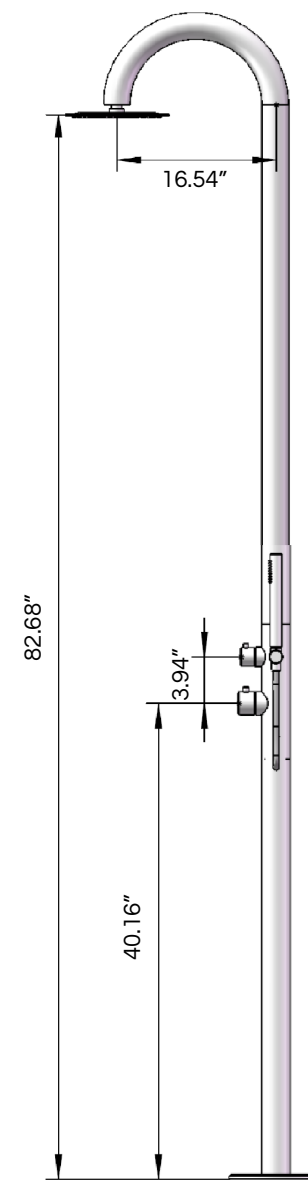
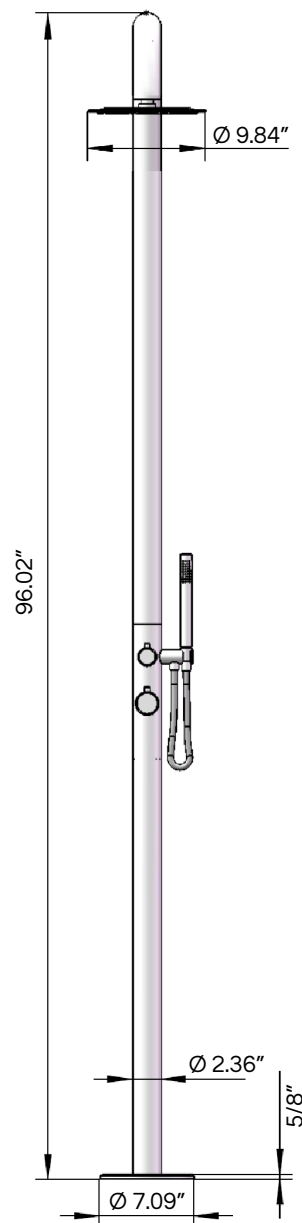
PACKAGE DIMENSIONS: L 55" x W 23" x H 11"

DELIVERY WEIGHT: 46 lbs

MAINTENANCE & CARE

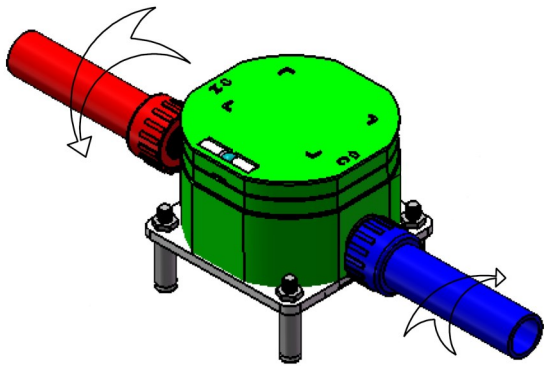
BRUSHED: Regularly apply stainless steel cleaner and rub in the direction of the grain, using a slightly abrasive sponge.

MATTE BLACK: Regularly clean with soap water or alcohol. Do not use abrasives.



PULSAR 12 Outdoor Shower

BUILT-IN PART FOR INSTALLATION



FLOOR INSTALLATION DETAIL

