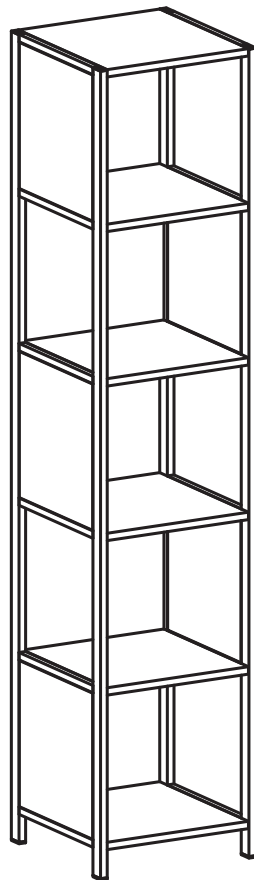


English

STORE CABINET

ASSEMBLY INSTRUCTION

Thanks for purchasing one of our products, please read carefully the assembly instructions before the installation (Attention: Do not tighten the screws before all screws are in place).



**TWO PEOPLE
REQUIRED**

General Care:

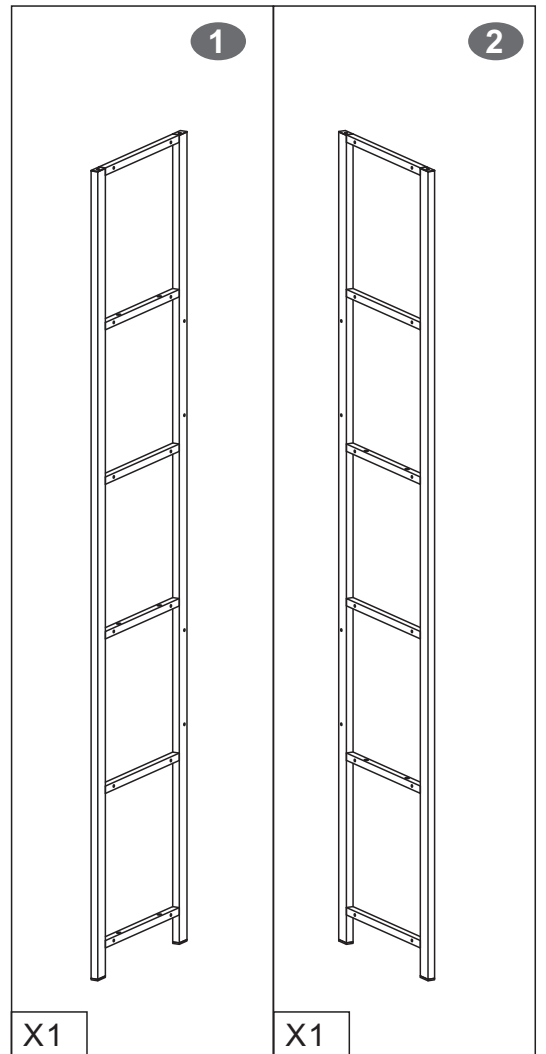
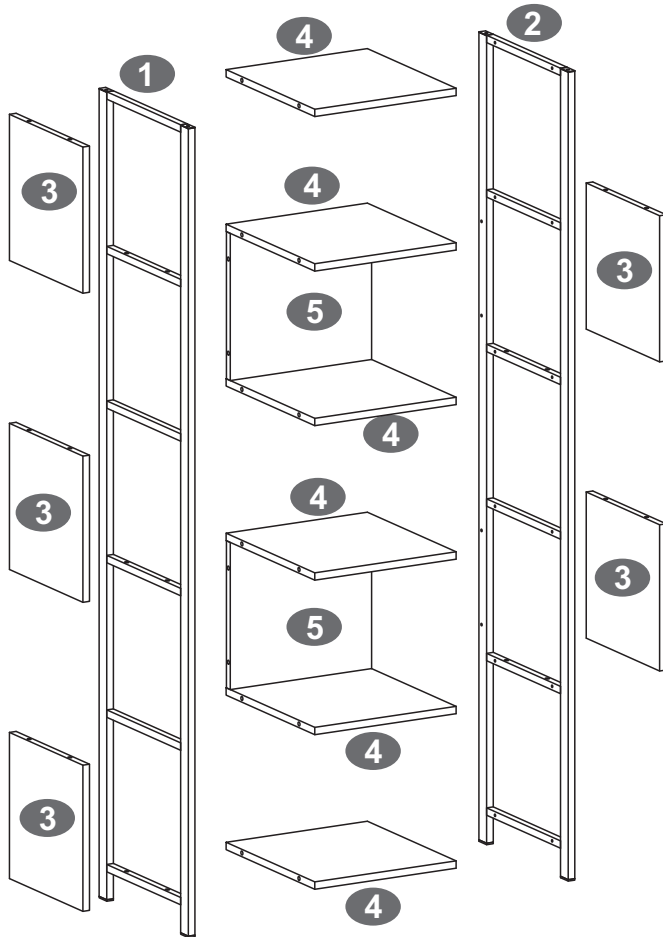
-Keep your furniture out direct sunlight-Use desk pads and coasters to protect the surface from dents,scratches,and moisture from hot or cold liquids.

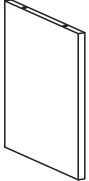
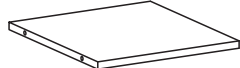
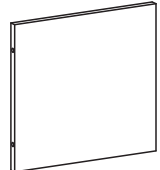
Cleaning:

-For cleaning, wipe the surface with a damp (not wet) cloth or wipe dry with a clean lint free cotton cloth.
-Window cleaning liquid or a similar cleaning liquid can be used to clean glass surface.

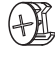
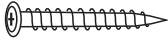
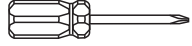



■ PARTS LIST

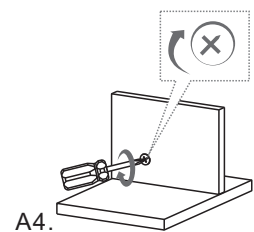
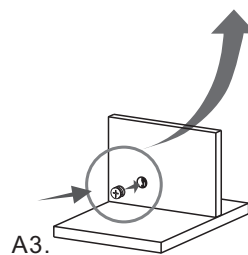
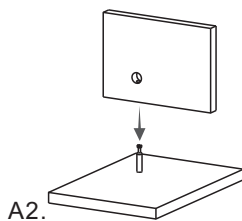
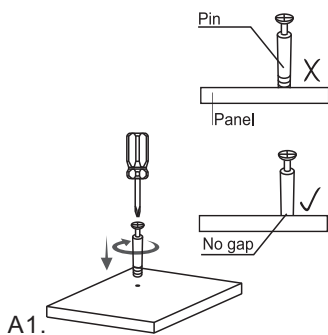
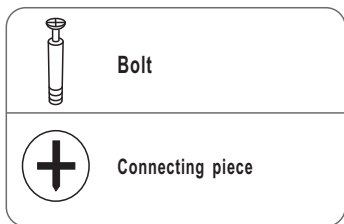


 <p>3</p> <p>X5</p>	 <p>4</p> <p>X6</p>	 <p>5</p> <p>X2</p>	
--	--	---	--

▪SCREWS LIST

PART	QTY.	ITEM		PART	QTY.	ITEM	
A	10			D	32	Φ 15 MM	
B	10	5X45 MM			1		
C	32	6X40 MM					

6X40MM & 6x25MM BOLT INSTALLATION AS BELOW:





■ ASSEMBLY STEPS:

1



2



■ SCREWS

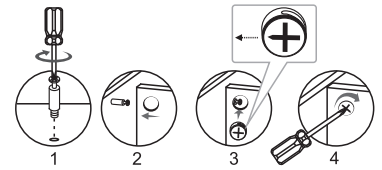
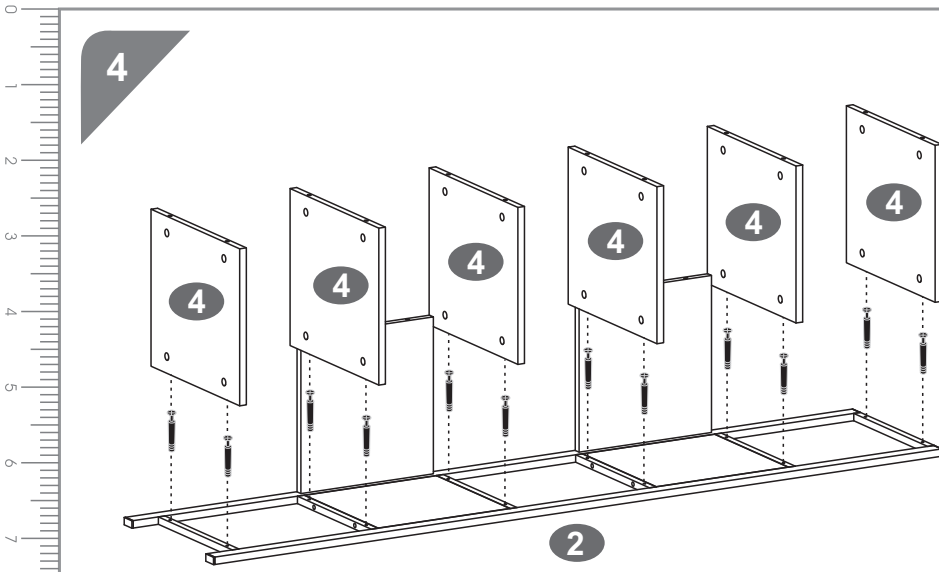
B 5X45 MM  x10 

3

■ SCREWS

C 6X40 MM  x4 

D Φ 15 MM  x4 



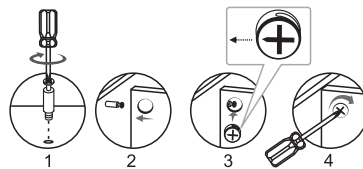
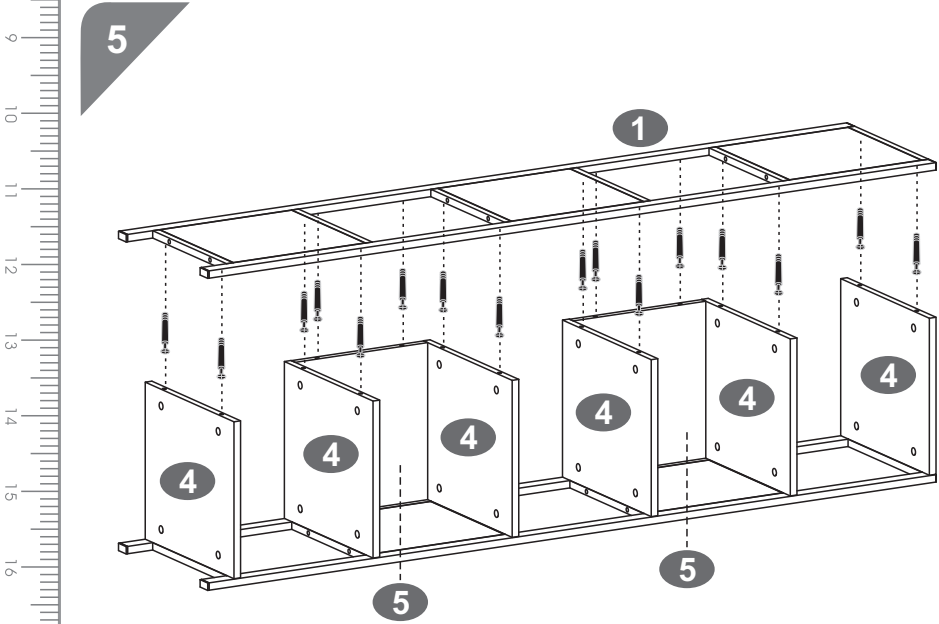
SCREWS

C 6X40 MM

x12

D Φ 15 MM

x12



SCREWS

C 6X40 MM

x16

D Φ 15 MM

x16

6

