

ASSEMBLY INSTRUCTIONS



Fine Furniture for every stage of life

COFFEE TABLE

ASSEMBLY INSTRUCTIONS

ASSEMBLY TIPS:

1. Remove hardware from box and sort by size.
2. Please check to see that all hardware and parts are present prior to start of assembly.
3. Please follow attached instructions in the same sequence as numbered to assure fast & easy assembly.



WARNING!

1. Don't attempt to repair or modify parts that are broken or defective. Please contact the store immediately.
2. This product is for home use only and not intended for commercial establishments.

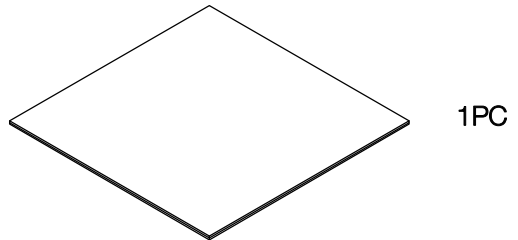


ASSEMBLY TIME 35 MINUTES

PARTS IDENTIFICATION

B1: TOP

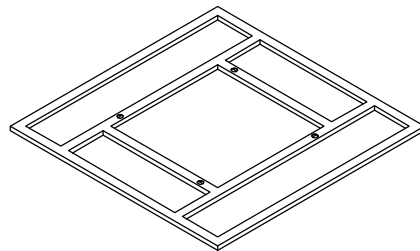
A TOP



1PC

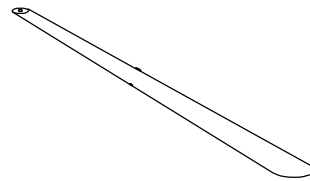
B2: BASE

B TOP FRAME



1PC

C LEG



4PCS

Z

HARDWARE IDENTIFICATION

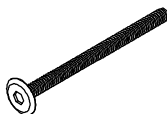
1 SHORT BOLT
(1/4" x 15mm BLK) 4PCS



4 LEVELER
(1/4" x 12mm BLK) 4PCS



2 LONG BOLT
(1/4" x 56mm BLK) 4PCS



5 ALLEN WRENCH
(4mm) 1PC



3 SUCTION CUP 4PCS

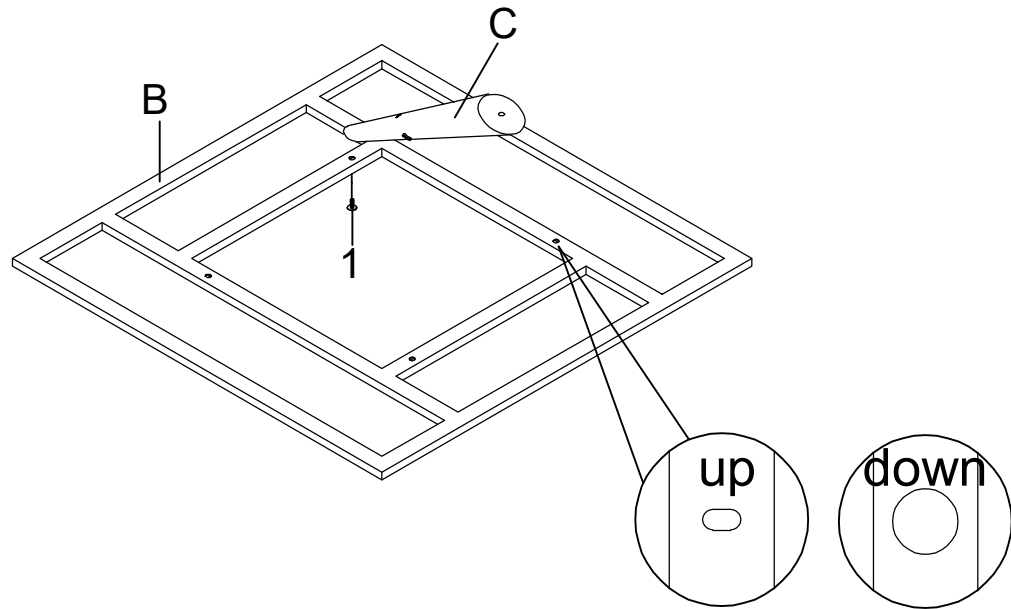


Hardware pack is located in

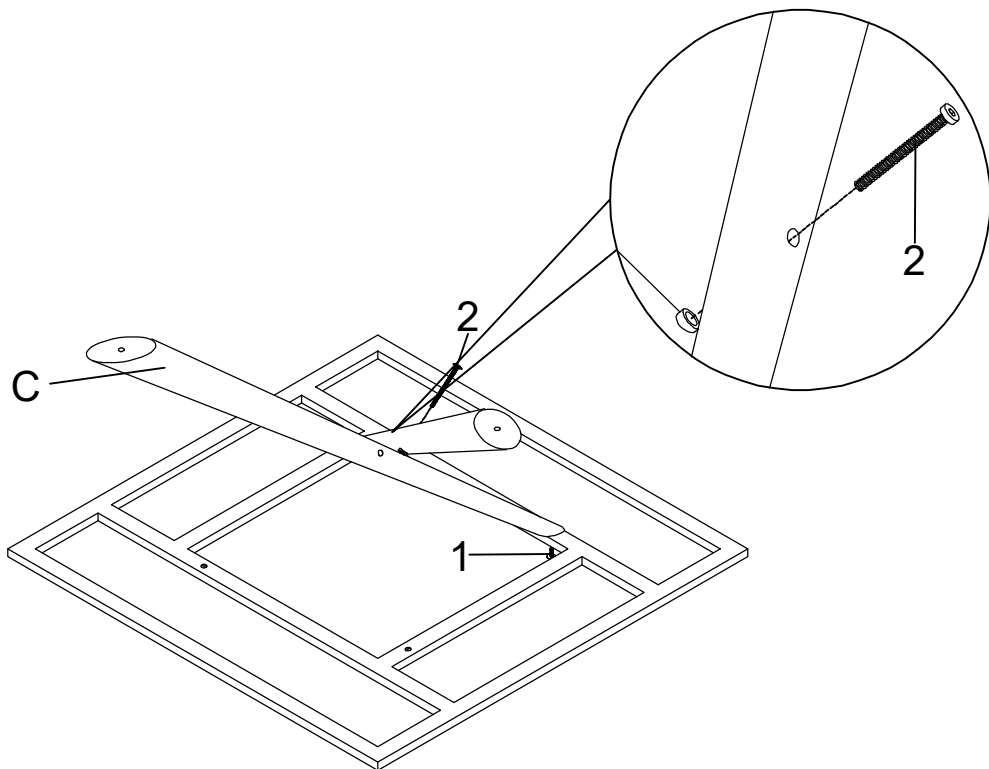
ITEM:

ASSEMBLY INSTRUCTIONS

STEP 1 Do not tighten until each step is completed or instructed.

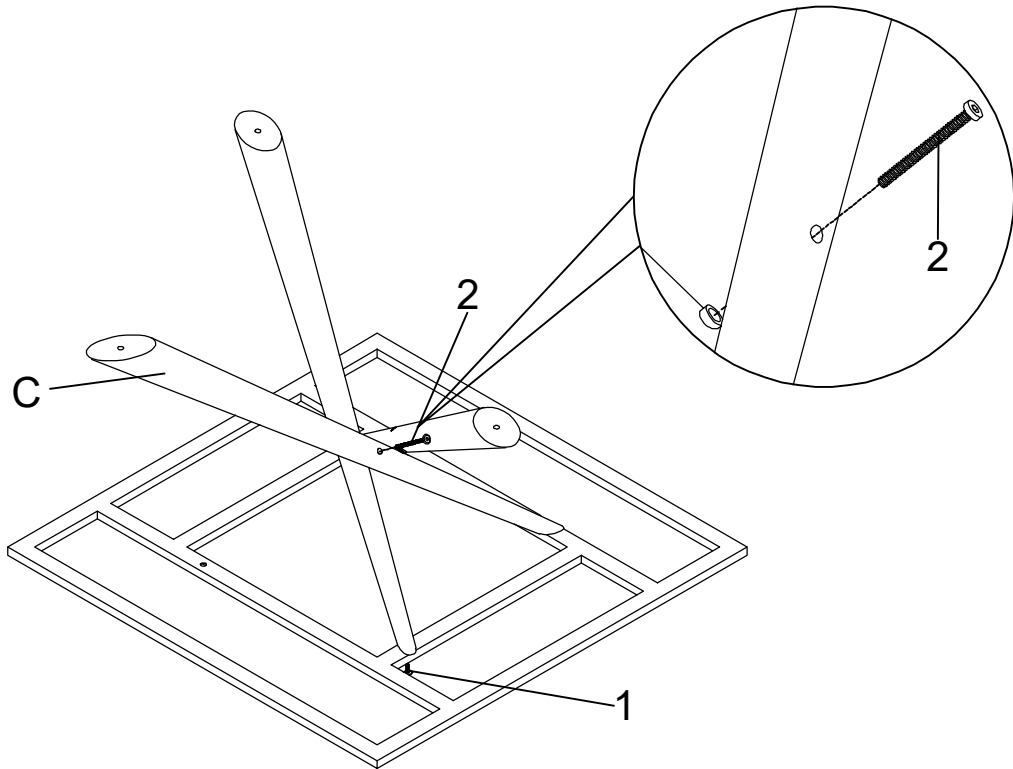


STEP 2

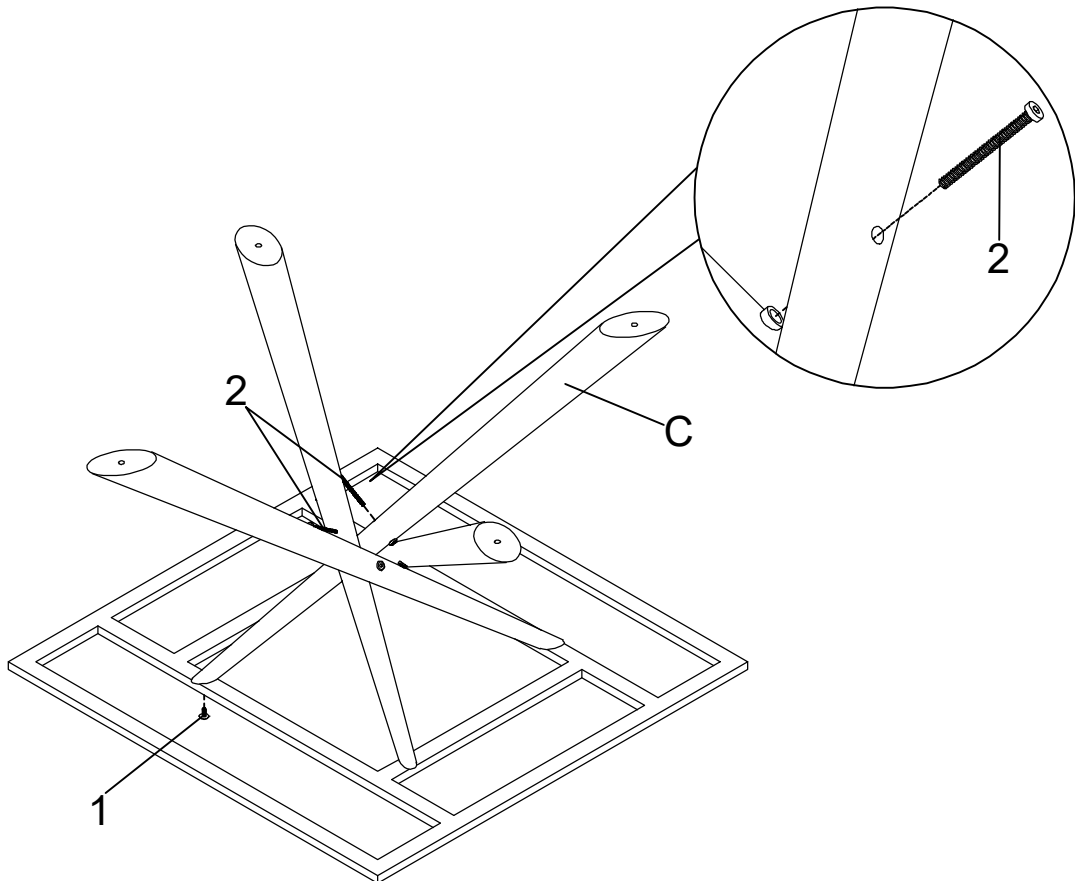


ASSEMBLY INSTRUCTIONS

STEP 3

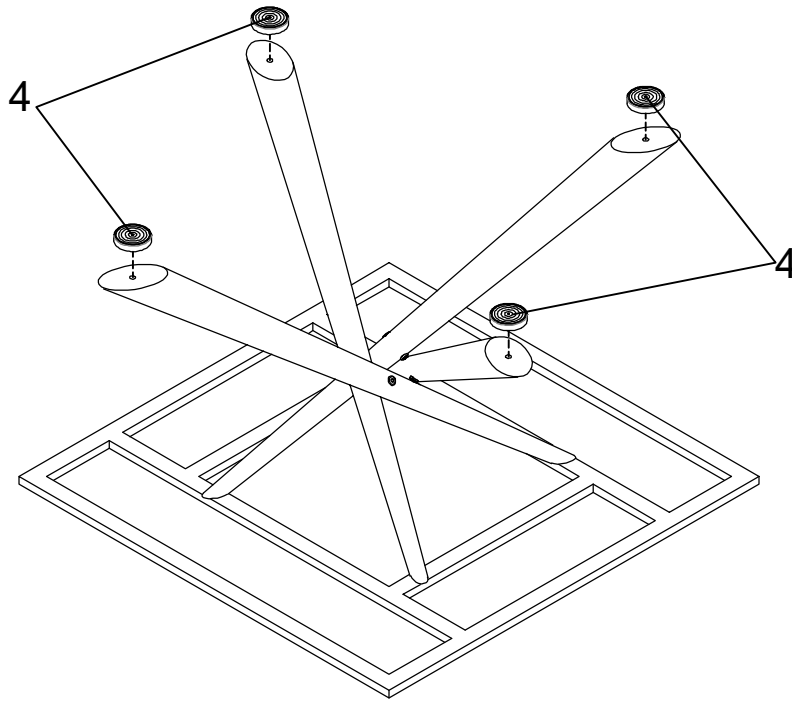


STEP 4

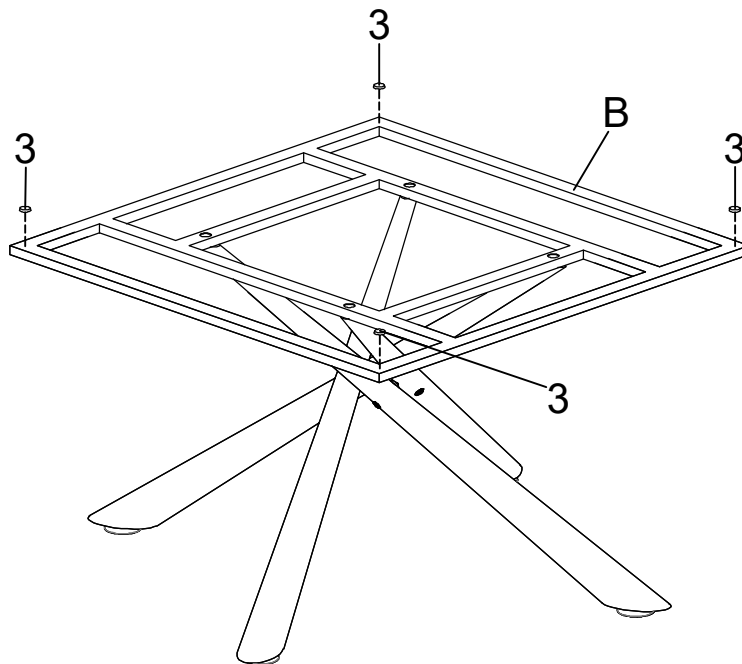


ASSEMBLY INSTRUCTIONS

STEP 5

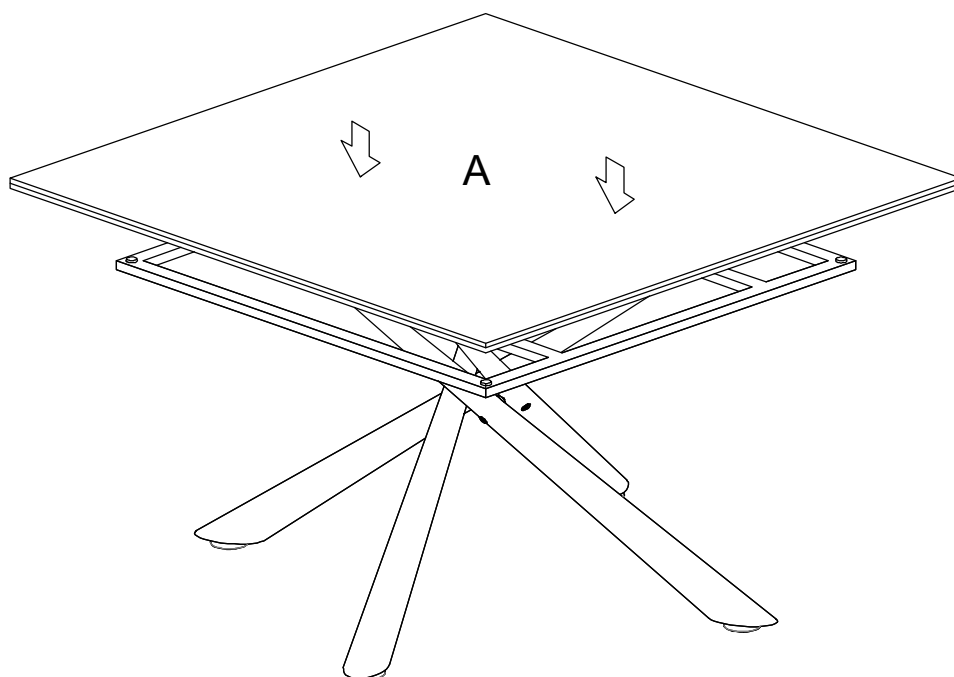


STEP 6



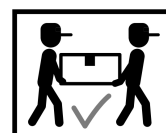
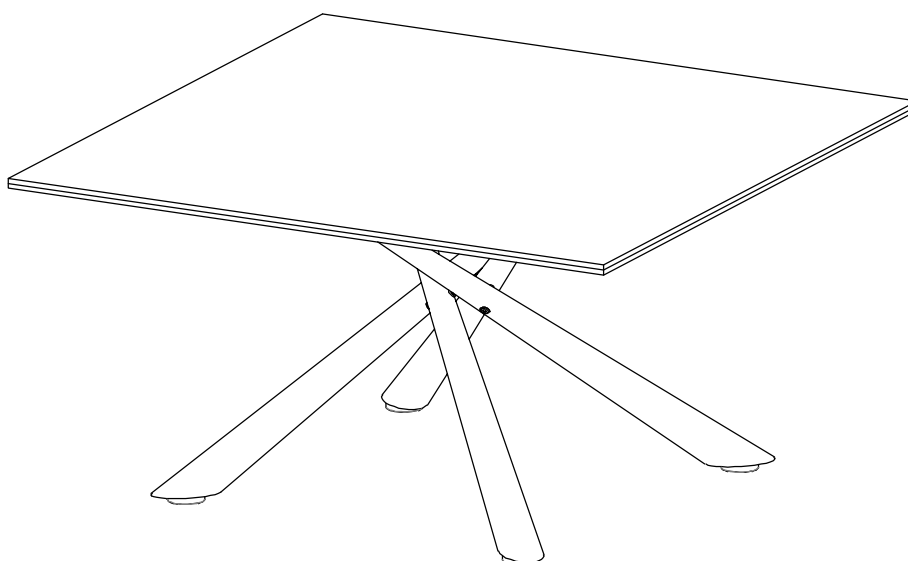
ASSEMBLY INSTRUCTIONS

STEP 7



STEP 8

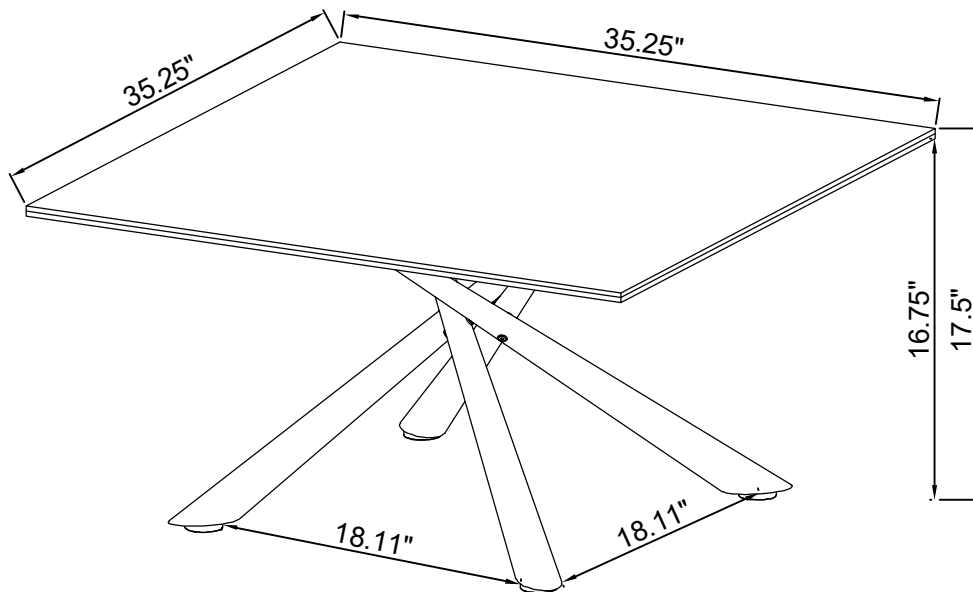
COMPLETE



ASSEMBLY INSTRUCTIONS

Product Size : 895 X 895 X 445 H (MM)

Product Size : 35.25" X 35.25" X 17.5"



Note : Dimension tolerance $\pm 5\%$