

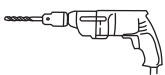
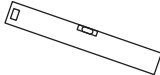
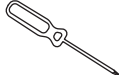

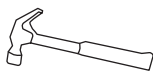
STAINLESS STEEL BATHROOM CABINET USE AND INSTALLATION INSTRUCTIONS

1 、 Daily use and maintenance





Proper use and maintenance can make your bathroom cabinet durable, please pay attention to the following:

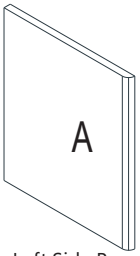
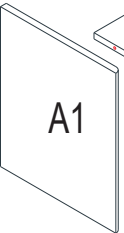
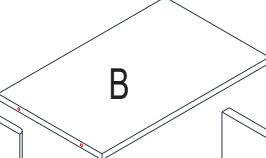
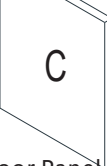


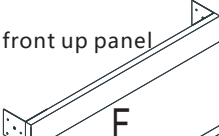



1. Please keep the bathroom clean and ventilated, avoid prolonged exposure to the sun or water mist.
2. As detergents might contain abrasives and chemicals, avoid using detergents to clean the surface. Wipe with clean soft cloth. Please don't use steel wool
3. Avoid using sharp objects to scratch the surface.
4. Do not contact the surface with heat source above 60 degrees Celsius.
5. Water pipes must be connected tightly to ensure no leakage, and please make regular inspections of it.
6. Wipe the cabinet with dry soft clean cloth after your clean it with wet cloth or water.
7. In case the door hinges or drawer slide get a loose after long-time of use, please unfasten the screws, insert the same size wood nog with glue to the original hole, and fasten the screws.

Installation method and steps

Tools	 Electric drill	 Horizontal rule	 Screw driver	 Tape measure	 Hammar
-------	---	--	---	---	---

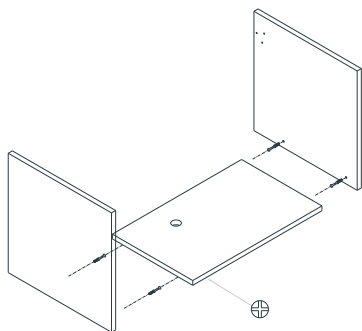
Accessories & Parts

Accessories	 bolts	 machine screw	 self tapping screw	 round head screw	 Hexagon Screw	 Anchor	 Deco-cover	 non-slip gasket	 buffer sticker	 angle bracket	 Hinge	 Black buffer Sticker
-------------	--	--	---	---	--	---	---	---	---	--	--	---

Parts	 Left Side Panel	 Right side panel	 Bottom panel	 Door Panel	 back up panel	 back down panel	 front up panel	 Ceramic wash basin	 front down panel	 Faucet
-------	--	---	---	---	---	---	---	---	---	---

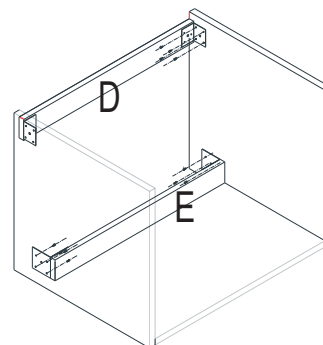
2 、 Assembly

Step1



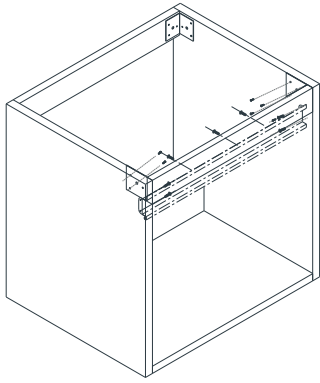
1. Fasten 4 bolts into the left & right side panels.
2. Insert the bolts to holes of the bottom panel.
3. Insert the screw driver into the reserved holes on down side of the bottom panel, tighten clockwise

Step2



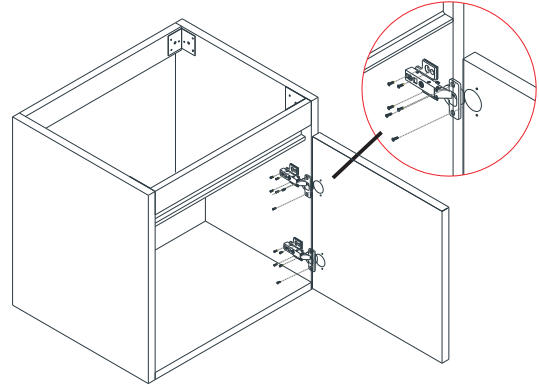
1. Fix the back up panel to the left & right side panels with the round head screws.
2. Fix the back down panel to the left & right side panels with the round head screws.

Step3



1. Fix the front up and down panels to the left & right side panels with the round head screws.

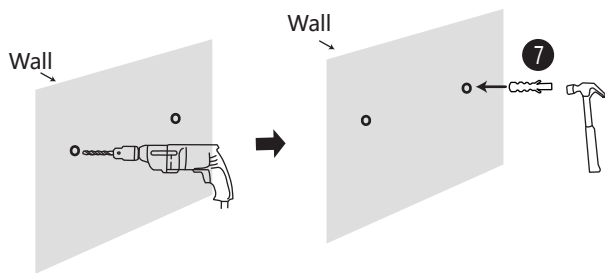
Step4



1. Fix the hinges with machine screws to the door panel.
2. Fix the door panel to the right side panel with the self tapping screws.

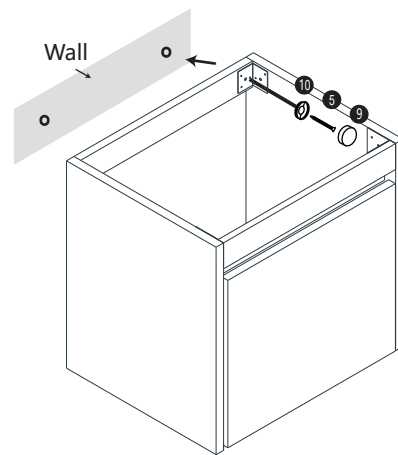
3. Installation Steps

Step1



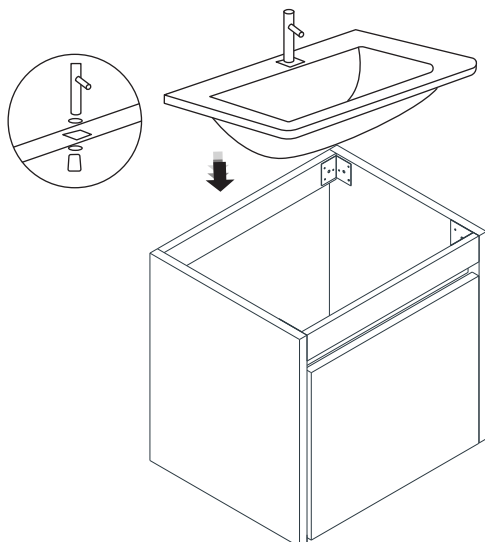
1. Correctly measure the hole positions on the wall so that they match the holes on the up and down back panels.
2. Use $\varphi 8$ drill head to drill holes.
3. Put the anchor inside the holes.

Step2



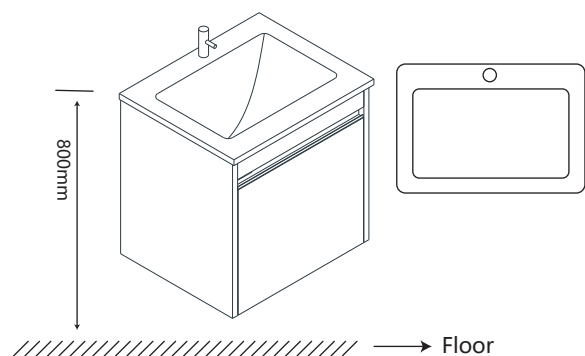
1. Align holes of the cabinet to the holes of the wall.
2. Put the non-slip gasket into the hexagon screws and fasten the screws.
3. Fasten the deco-cover clock-wisely on the head of screw.

Step3



1. Stick the black buffer sticker on four corners at top of the cabinet.
2. Install the faucet.
3. Put the ceramic basin onto the cabinet.

Step4



800mm
Floor