

King Size Gray
Upholstered Headboard
82" x50" x4"

King Size Gray Upholstered
Footboard, Side Rails w/slats
FB: 82"x15"x2"
SR:82"x 11"x 1.4"
SL:26"x2"x0.4"

Your furniture purchase is an investment. Here are a few tips to maximize the lifetime of your furniture with a minimal amount of effort. Properly caring for your furniture can help ensure that it looks great year after year.

Wood Furniture Maintenance:

- Always dust, wipe, and clean with the grain of the wood.
- Dust with a soft cloth. Dust will scratch the furniture surface if not removed properly.
- If a polished surface becomes foggy, rub it with a cloth dipped in a solution of one tablespoon vinegar to one quart of water. Rub softly with the grain until the surface is completely dry.
- Soap and water are not advisable for wood surfaces. Water can penetrate the finish and raise the grain on wood, causing damage.
- Remember to change dusting cloths frequently as dirty cloths may scratch your furniture's surface.

The Enemies of Wood:

- Moisture is wood's worst enemy. Liquid spills should be gently wiped up immediately. Coasters should be used under all beverages.
- Do not allow rubber or vinyl materials to lie on the furniture. Chemicals in rubber may leave a stain. Put a strip of felt or leather under accessories that have rubber or vinyl.
- Heat creates a chemical change in the furniture's finish, which result in a white spot. Use protective pads under hot dishes, appliances, etc.
- Sunlight's ultraviolet rays can damage the finish of furniture. Do not place furniture directly against a heater or radiator and do not place in the path of hot streams of air from central heating. This will cause extreme localized drying of the wood.

Marble Top Maintenance:

The surface of the marble on your table has been polished and sealed to create a generally non-porous surface. The stone has many natural characteristics including veining, hairline cracks, and color variations, which make up the stone's beauty.

To maintain the beauty of your marble:

- Protect surfaces from scratching, staining and etching by:
 - Keeping them free of debris or sharp objects.
 - Wiping up spills immediately
 - Avoiding contact with chemicals (particularly acid-based materials)
- Clean with PH neutral products or those especially formulated for use on stone.
- It is not recommended to use a water-based solvent for dark marble as it will remove the polish from the surface.

Caring for the Fabric on Upholstered Furniture:

- Frequent vacuuming of the entire upholstered area will prevent dust from settling into the fibers.
- Professional cleaning is always recommended for all upholstered pieces.
- Do not use cleaning products containing brightening agents.

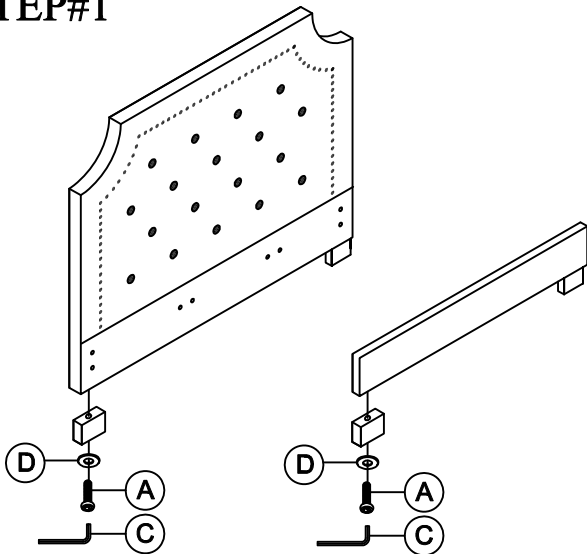
VERY IMPORTANT!!			
<p>NEVER USE GLASS CLEANERS ON FINISHED SURFACES. AMMONIA WILL CHEMICALLY ATTACK THE FINISH.</p>	<p>DO NOT WRITE DIRECTLY ON SURFACE </p> <p>PREVENT MARKING</p>	<p>DO NOT PLACE DIRECTLY IN SUNLIGHT </p> <p>PREVENT FADING</p>	<p>DO NOT USE PLACEMATS WITH RUBBER BASES </p> <p>PREVENT DISCOLORING</p>
<p>NEVER ALLOW LIQUIDS OF ANY KIND TO LINGER ON SURFACES. ABSORPTION CAUSES THE WOOD TO WARP AND THE FINISH TO DE-LAMINATE.</p>	<p>DO NOT USE COMMERCIAL POLISHES AND WAXES </p> <p>PREVENT YELLOWING</p>	<p>DO NOT PLACE HOT POTS, ETC ON SURFACE </p> <p>PREVENT DAMAGE TO FINISH!</p>	<p>REGULATE THE HUMIDITY CONDITIONS AT YOUR HOME </p> <p>PREVENT SPLITTING</p>

Assembly Instructions

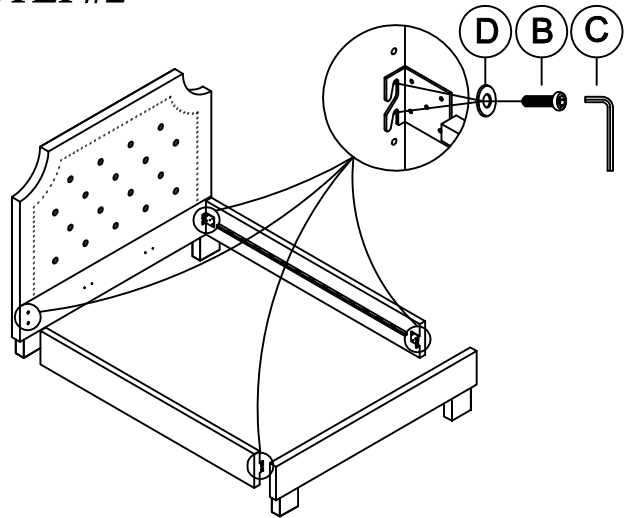
Do not fully tighten screws & bolts until the entire item is completely assembled.

2 people assemble required.

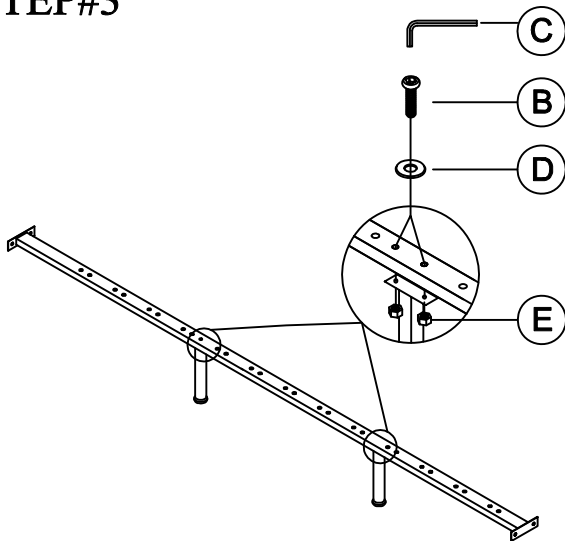
STEP#1



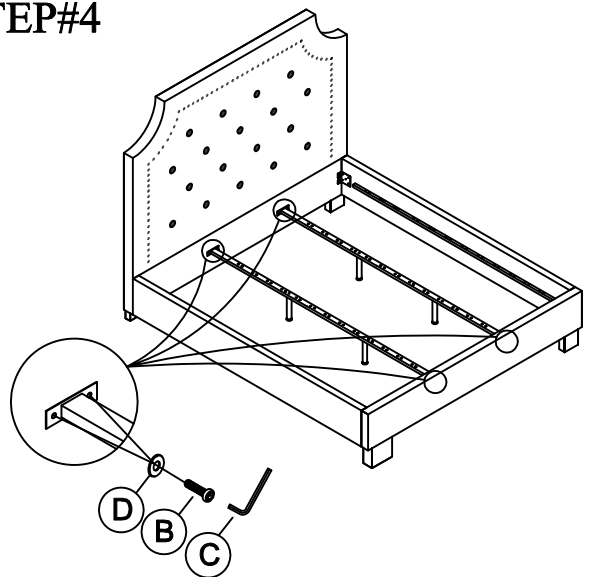
STEP#2



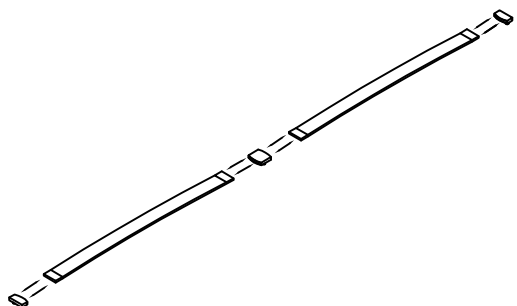
STEP#3



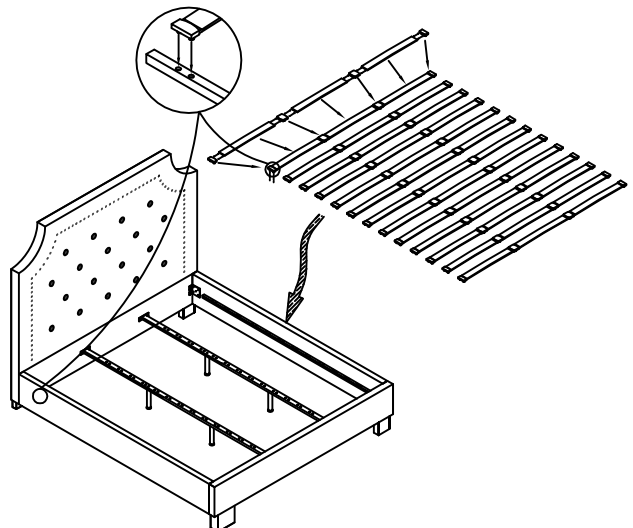
STEP#4



STEP#5



STEP#6

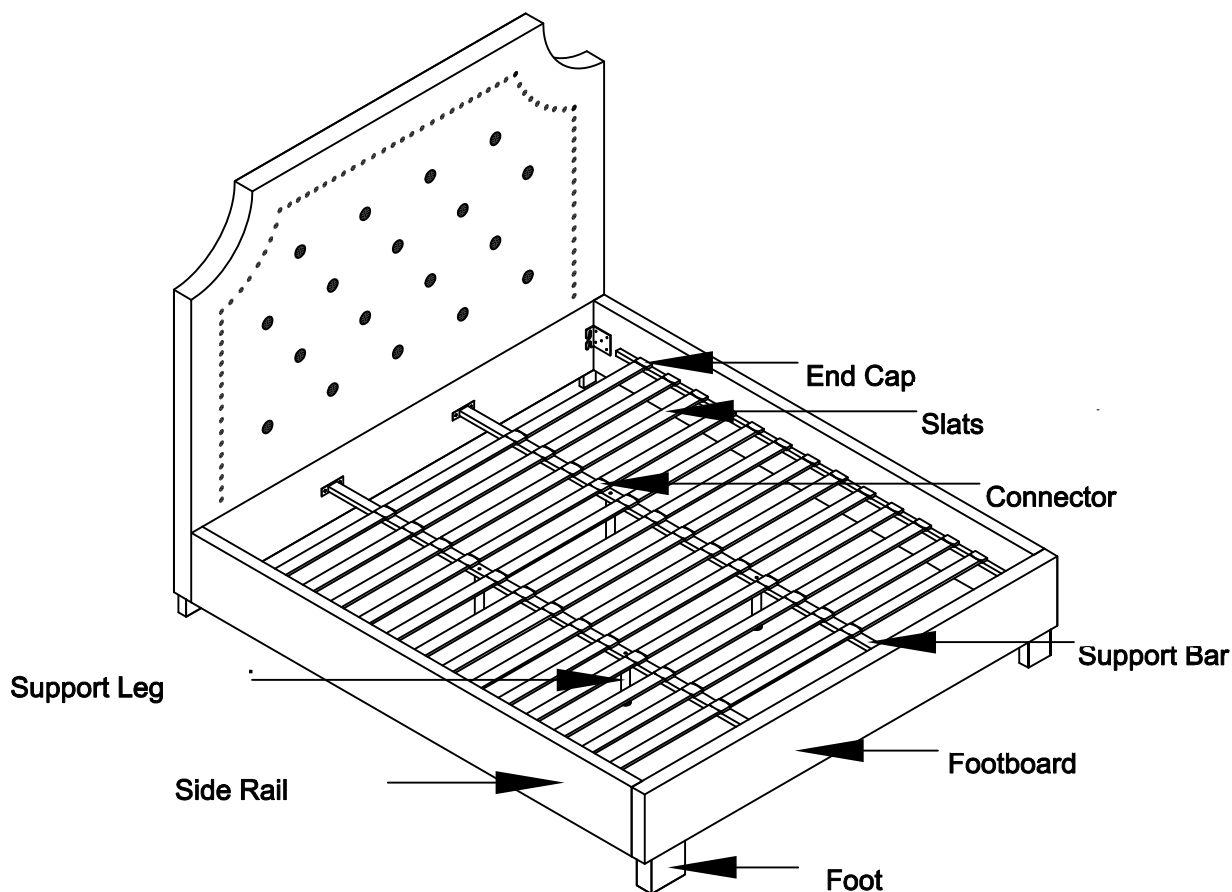


Hardware Pack:

A		M8x45mm	4PCS
B		M8x30mm	24PCS
C		5mm	1PC
D		M8x19mm	28PCS
E		M8mm	8PCS

PARTS

COMPLETE HARDWARE



PRODUCT DETAILS		
HEADBOARD	MDF+PW+FABRIC+FOAM+WHITE VERTEBRAL WOOD	
FOOTBOARD	MDF+PW+FABRIC+FOAM+WHITE VERTEBRAL WOOD	
SIDE RAIL	MDF+PW+FABRIC+FOAM	
SUPPORT BAR	IRON	
SUPPORT LEG	IRON	
SLATS	POPLAR	
FOOT	RUBBER WOOD	
END CAP	PLASTIC	
CONNECTOR	PLASTIC	
PRODUCT SIZE	HB:82" x50" x4"	FB:82"x 15"x 2"
		SR:82"x 11"x 1.4"
		SL:26"x 2"x 0.4"
CARTON SIZE	HB:83.25" x52.5" x5.5"	FB/SR/SL:85.25" x17.25" x9"
NET WEIGHT	HB:31.70KG/69.74LBS	FB/SR/SL:34.50KG/75.90LBS
GROSS WEIGHT	HB:37.20KG/81.84LBS	FB/SR/SL:37.50KG/82.50LBS
CU.FT.	HB:13.91'	FB/SR/SL:7.66'

FABRIC CONTENT:15%LINEN+85%POLYESTER
 This fabric is machine washable.
 Allow+/-3% residual shrinkage.
 Do not use cleaning products containing brightening agents.
 Do not mix fabrics with different colors.
 The fabric is suitable for drapery and upholstery.