

ASSEMBLY INSTRUCTIONS





Read this instruction carefully. Refer hardware and Furniture part list for guidance.
 Be sure all parts are complete, before you assembling. Place all wooden furniture part on a clean and flat soft surface to prevent scratches. Refer steps provided as assembling guide.

CAUTIONS :

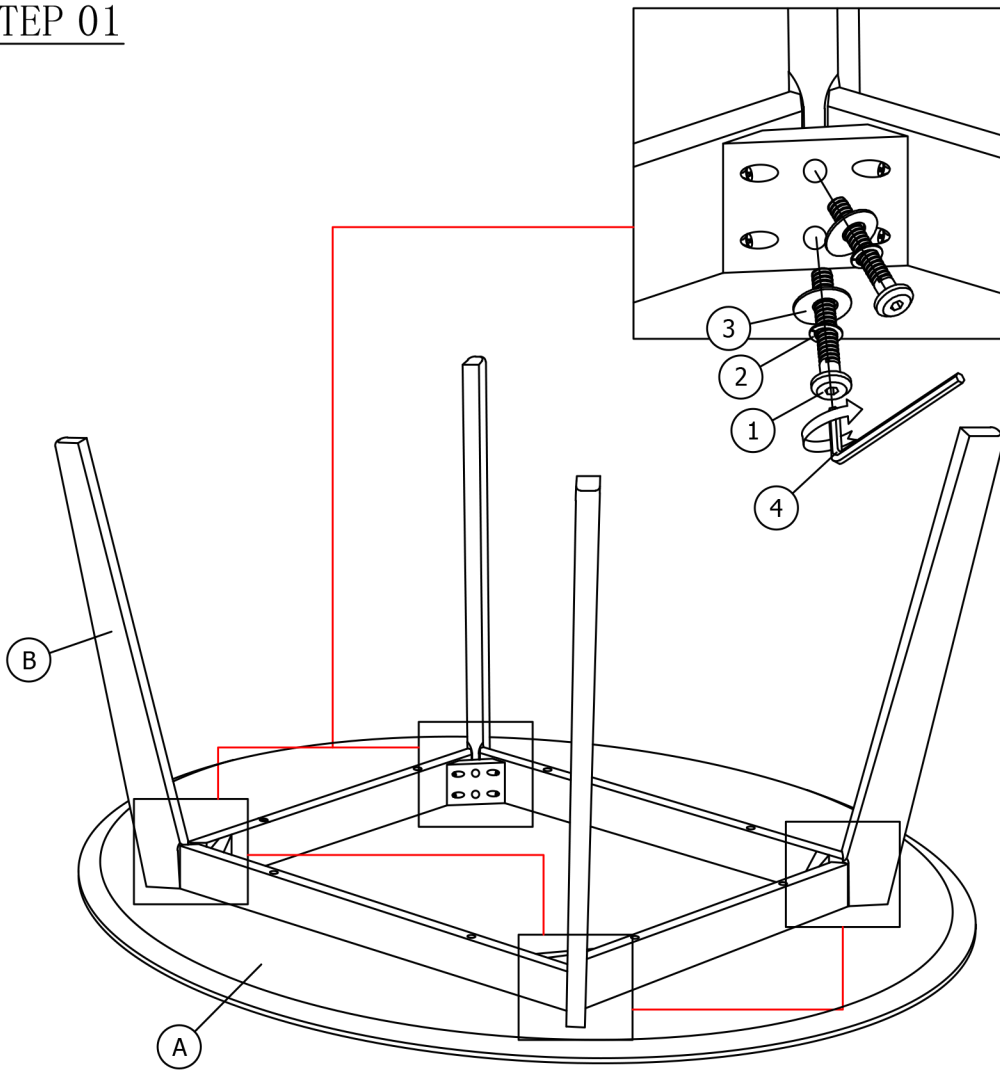
1. Do not FULLY - TIGHTEN the nuts or nut bolts until all nut and nut bolts until all are in place.
2. To prevent thread damage.Ensure that nuts or nut bolts are not over-tighten.
3. Hardware are to be kept out of reach from children.

NOTE: THE LIST AND QUANTITY SHOWN ARE FOR 1 UNIT ASSEMBLY.

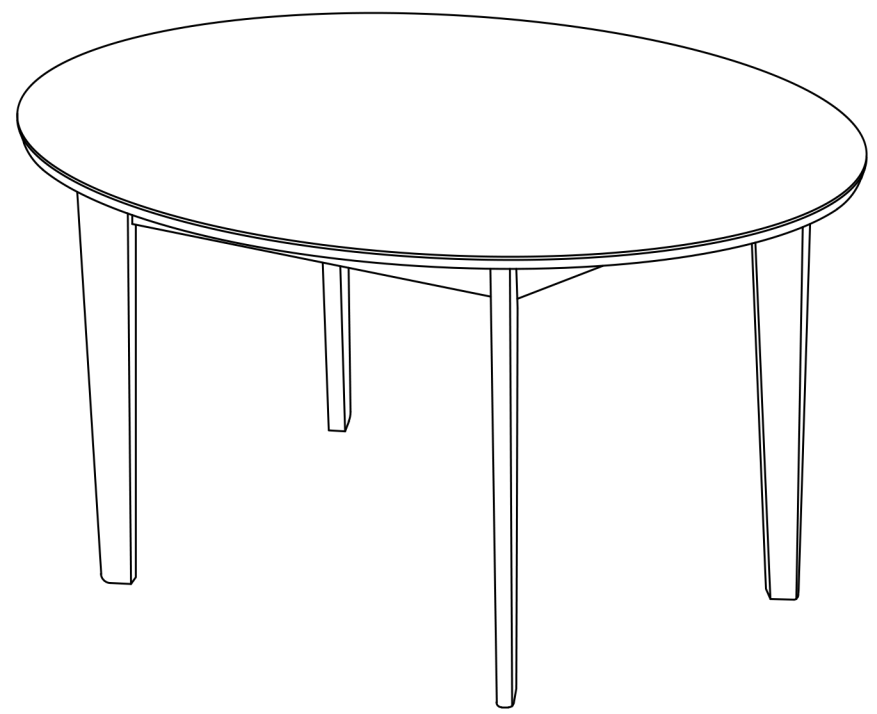
PART LIST		
ITEM	DESCRIPTION	QTY
A	TABLE TOP WITH APRON	1 PC
B	TABLE LEG	4 PCS

HARDWARE LIST		
ITEM	DESCRIPTION	QTY
1	JCBC SCREW M6 x 70MM 	8 PCS
2	SPRING WASHER M6 	8 PCS
3	FLAT WASHER M6 x 19MM 	8 PCS
4	ALLEN KEY M4 	1 PC

STEP 01



STEP 02



FULLY SET-UP (TABLE)