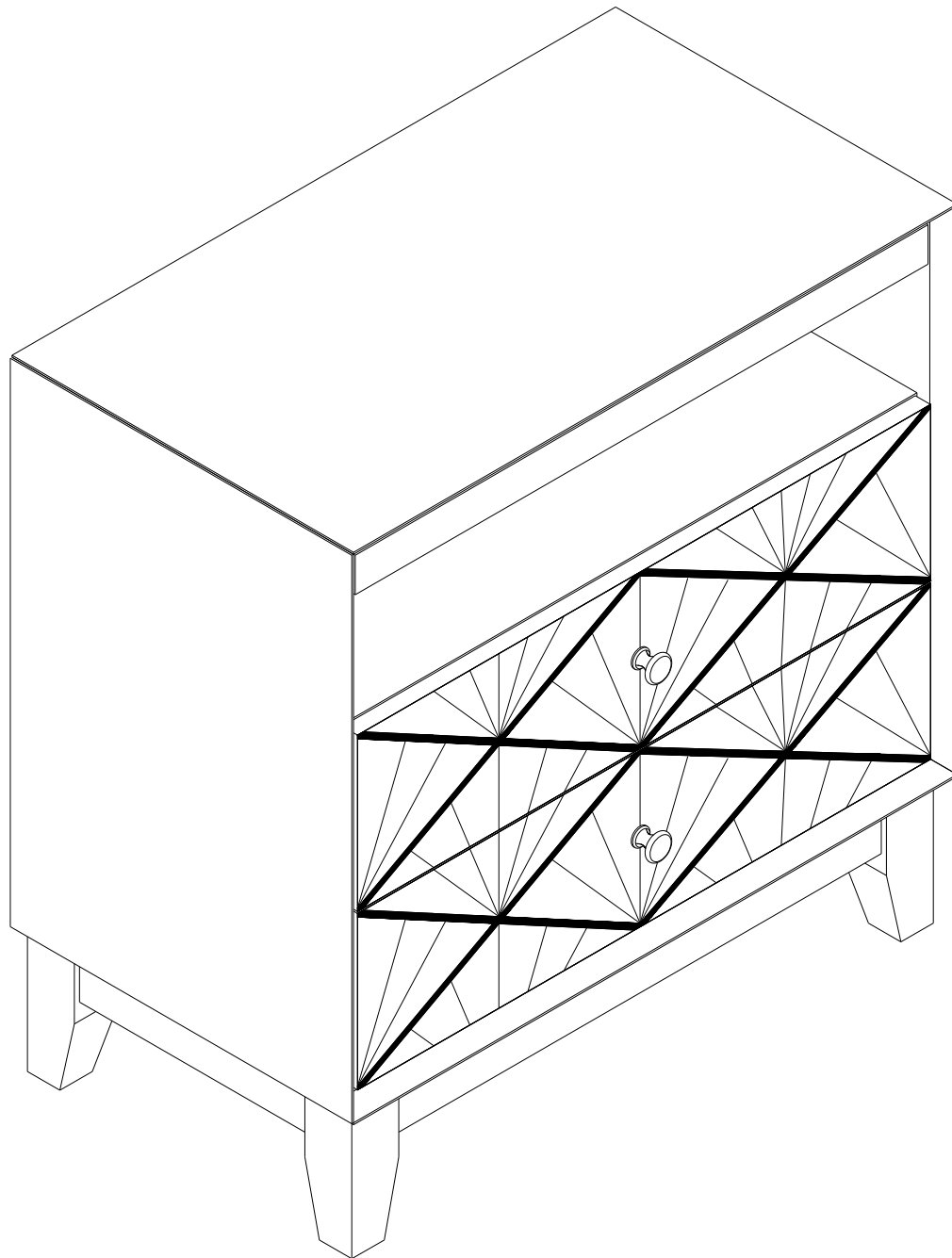


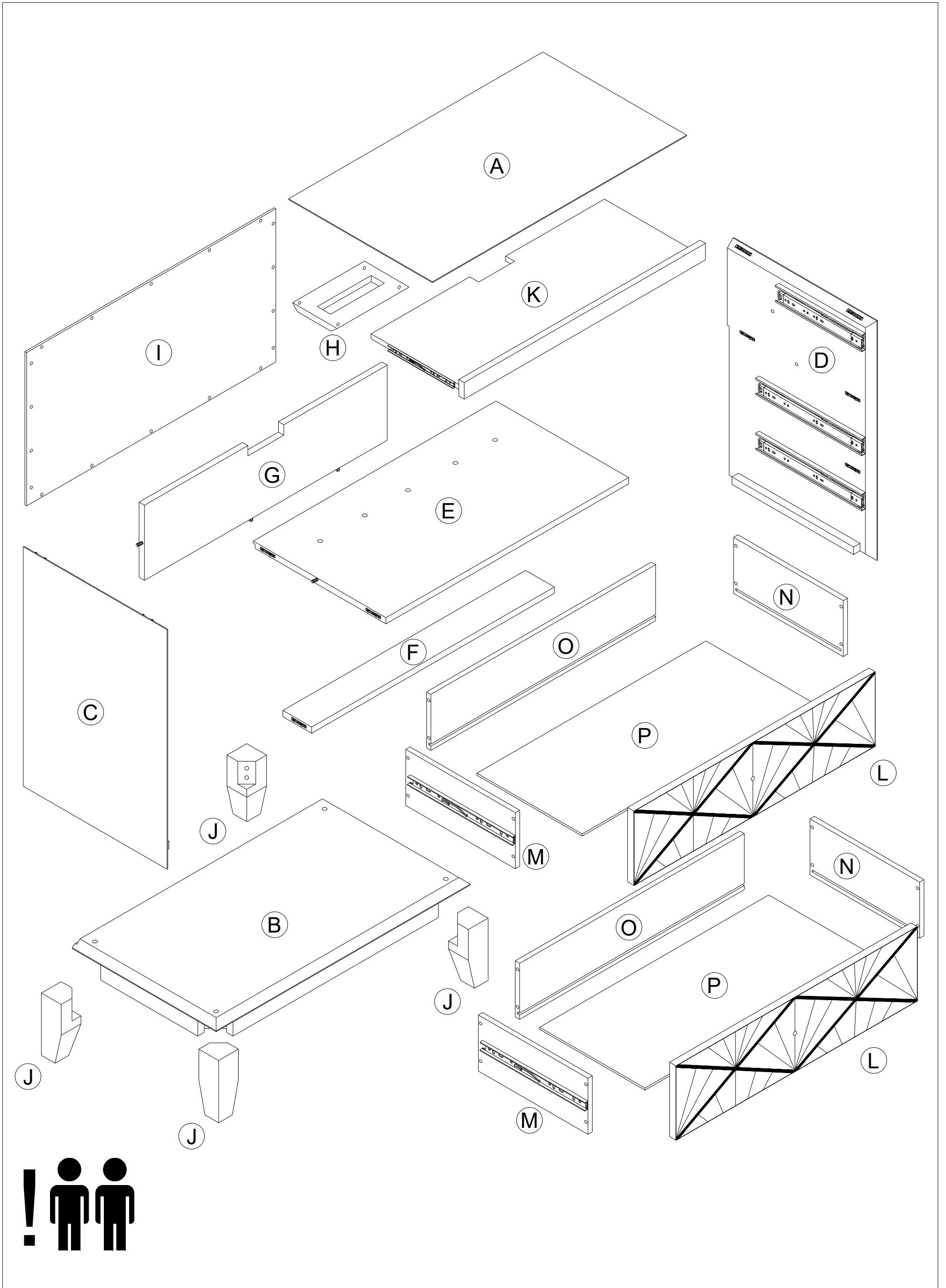
Owner Manual



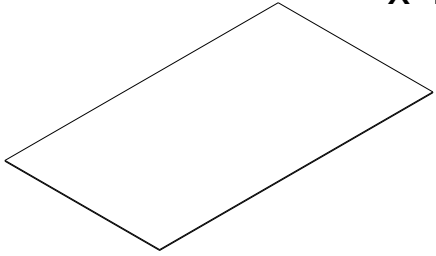
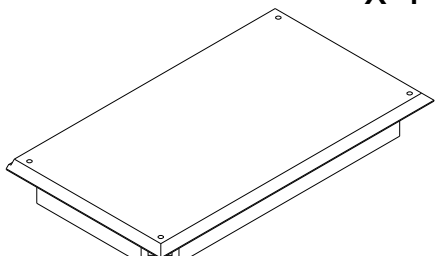
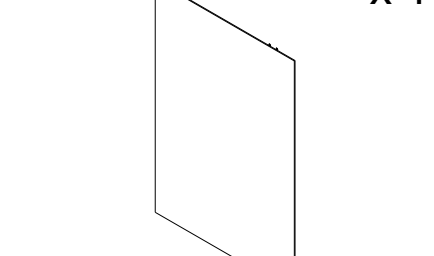
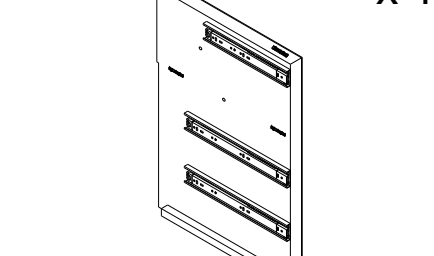
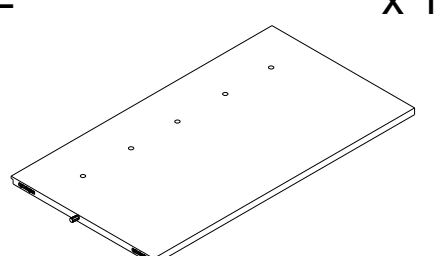
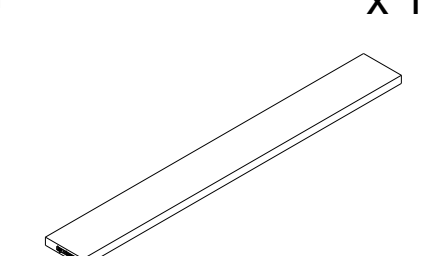
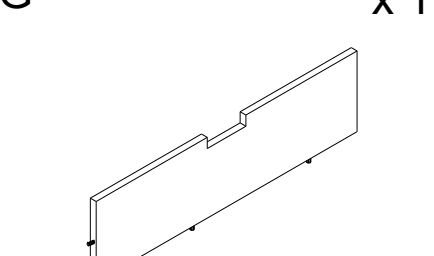
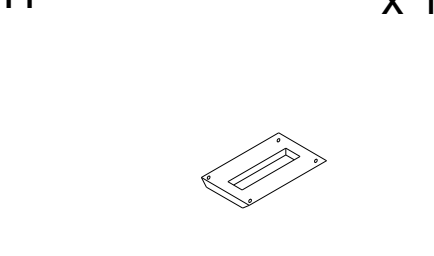
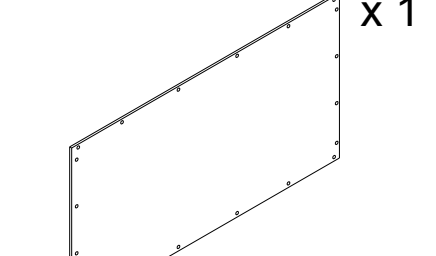
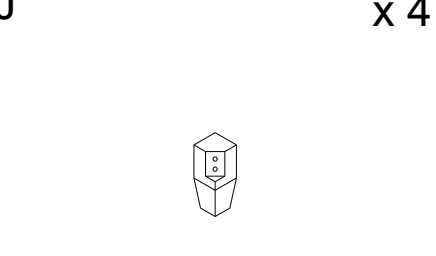
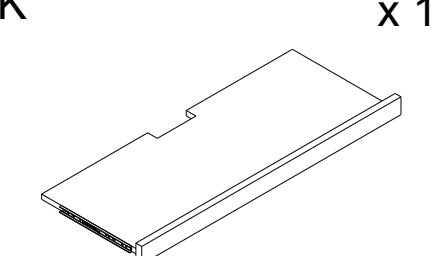
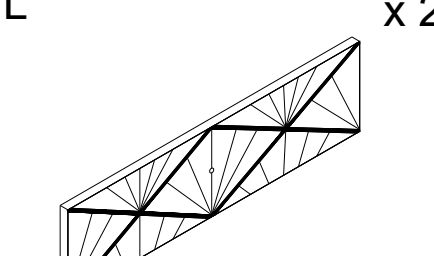
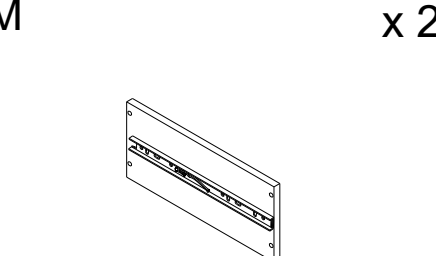
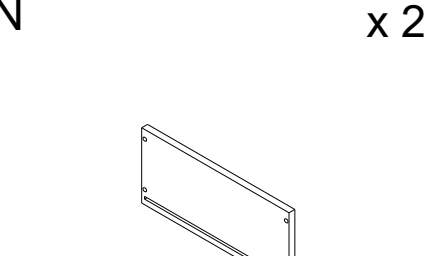
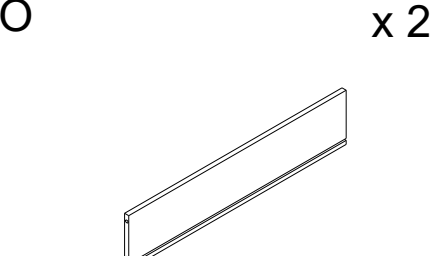
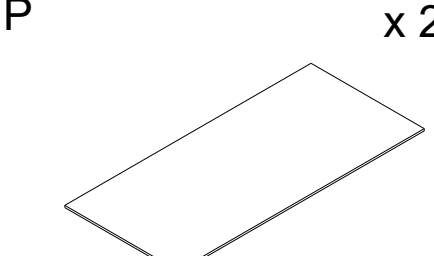
Thank you for purchasing.

Please read the instructions and warnings carefully before use, to ensure safe and satisfactory operation of this product. We are committed to making great products possible. From our in-house Design Team, to our Buyers, we work together to bring great designs to life. Our expert Product Technologists work collaboratively with our buyers and suppliers to assure the legality, safety and quality of the product we sell. We are all committed to designing and developing products to the highest industry standards. We hope you are happy with your product and welcome any feedback or comments you may have.

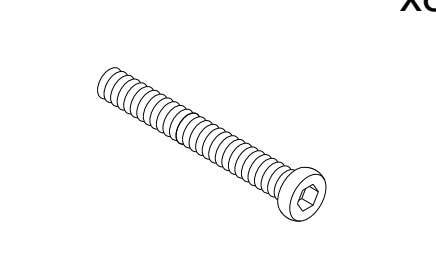
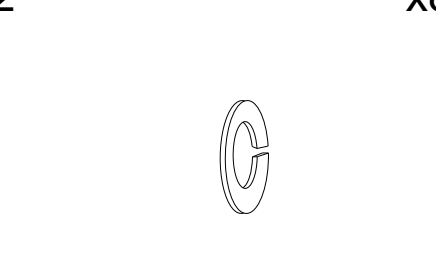
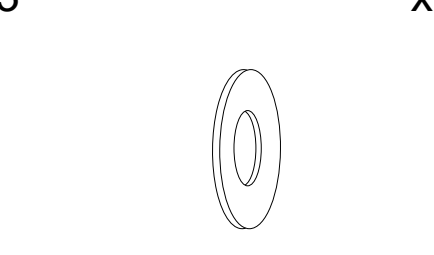
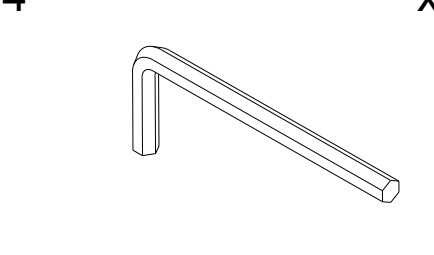
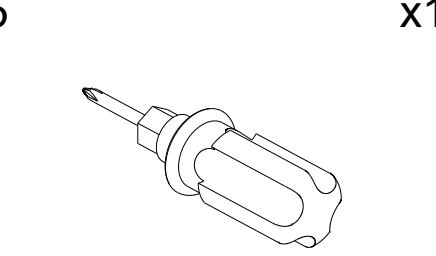
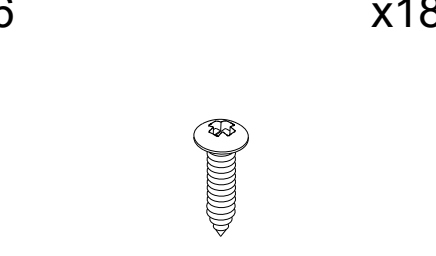
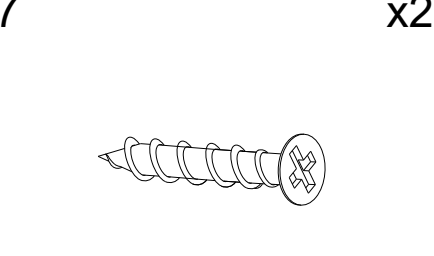
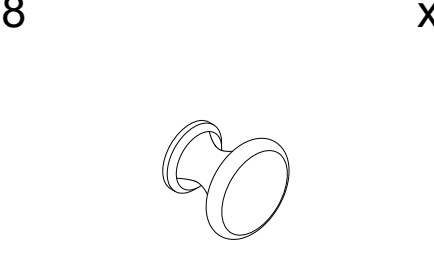
Exploded Diagram



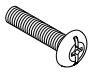
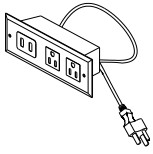
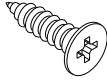
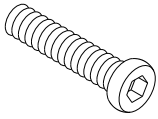
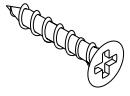

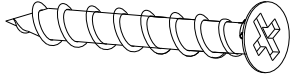
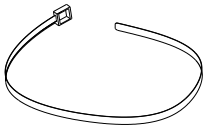
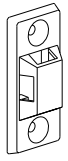
PARTS LIST

<p>A x 1</p>  <p>Top Panel</p>	<p>B x 1</p>  <p>Bottom Panel</p>	<p>C x 1</p>  <p>Left Side Panel</p>	<p>D x 1</p>  <p>Right Side Panel</p>
<p>E x 1</p>  <p>Shelf Panel</p>	<p>F x 1</p>  <p>Front Rail</p>	<p>G x 1</p>  <p>Vertical Panel</p>	<p>H x 1</p>  <p>Socket Panel</p>
<p>I x 1</p>  <p>Back Panel</p>	<p>J x 4</p>  <p>Leg</p>	<p>K x 1</p>  <p>Pull Panel</p>	<p>L x 2</p>  <p>Drawer Front</p>
<p>M x 2</p>  <p>Drawer Left Side Panel</p>	<p>N x 2</p>  <p>Drawer Right Side Panel</p>	<p>O x 2</p>  <p>Drawer Back Panel</p>	<p>P x 2</p>  <p>Drawer Bottom Panel</p>

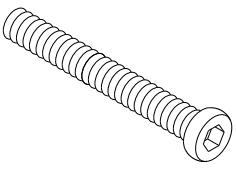

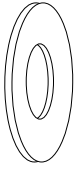
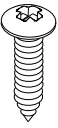
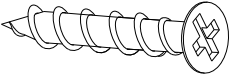
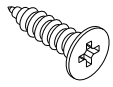
HARDWARE LIST

<p>1 x8</p>  <p>Bolt Ø1/4"x 2"</p>	<p>2 x8</p>  <p>Spring Washer</p>	<p>3 x8</p>  <p>Flat Washer</p>	<p>4 x1</p>  <p>Allen Wrench</p>
<p>5 x1</p>  <p>Screwdriver</p>	<p>6 x18</p>  <p>Screw Ø3*15MM</p>	<p>7 x23</p>  <p>Screw Ø4*25MM</p>	<p>8 x2</p>  <p>Knob</p>

HARDWARE LIST


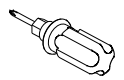
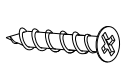
9	x2	10	x1	11	x2	12	x4
							
Knob Bolt Ø5/32" x 3/4"		Socket		Screw Ø3*12MM		Bolt Ø1/4"x 1"	
13	x2	14	x2	15	x2	16	x1
							
Screw Ø3*20MM		Anchor		Screw Ø4*38MM		Tie	
17	x2						
							
Bracket							

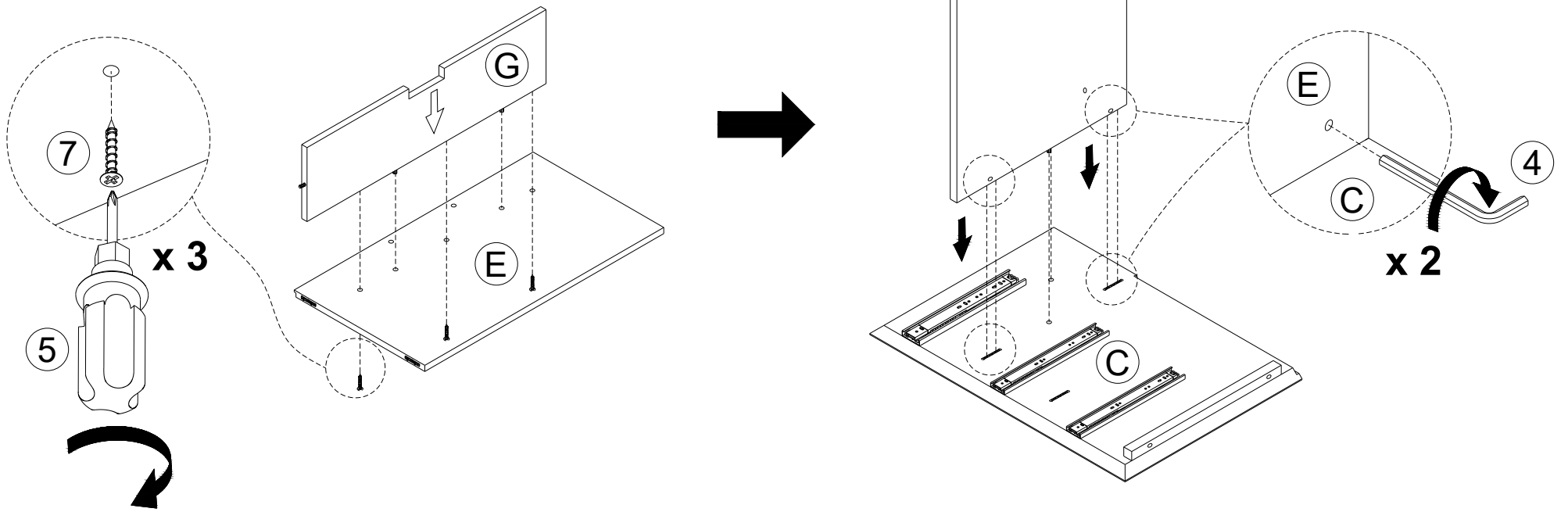
SPARE LIST

1	x1	2	x1	3	x1	6	x2
							
Bolt Ø1/4"x 2"		Spring Washer		Flat Washer		Screw Ø3*15MM	
7	x2	11	x1				
							
Screw Ø3*15MM		Screw Ø3*12MM					

Be sure to check all packing material carefully for small parts, which may have come loose inside the carton during shipment.

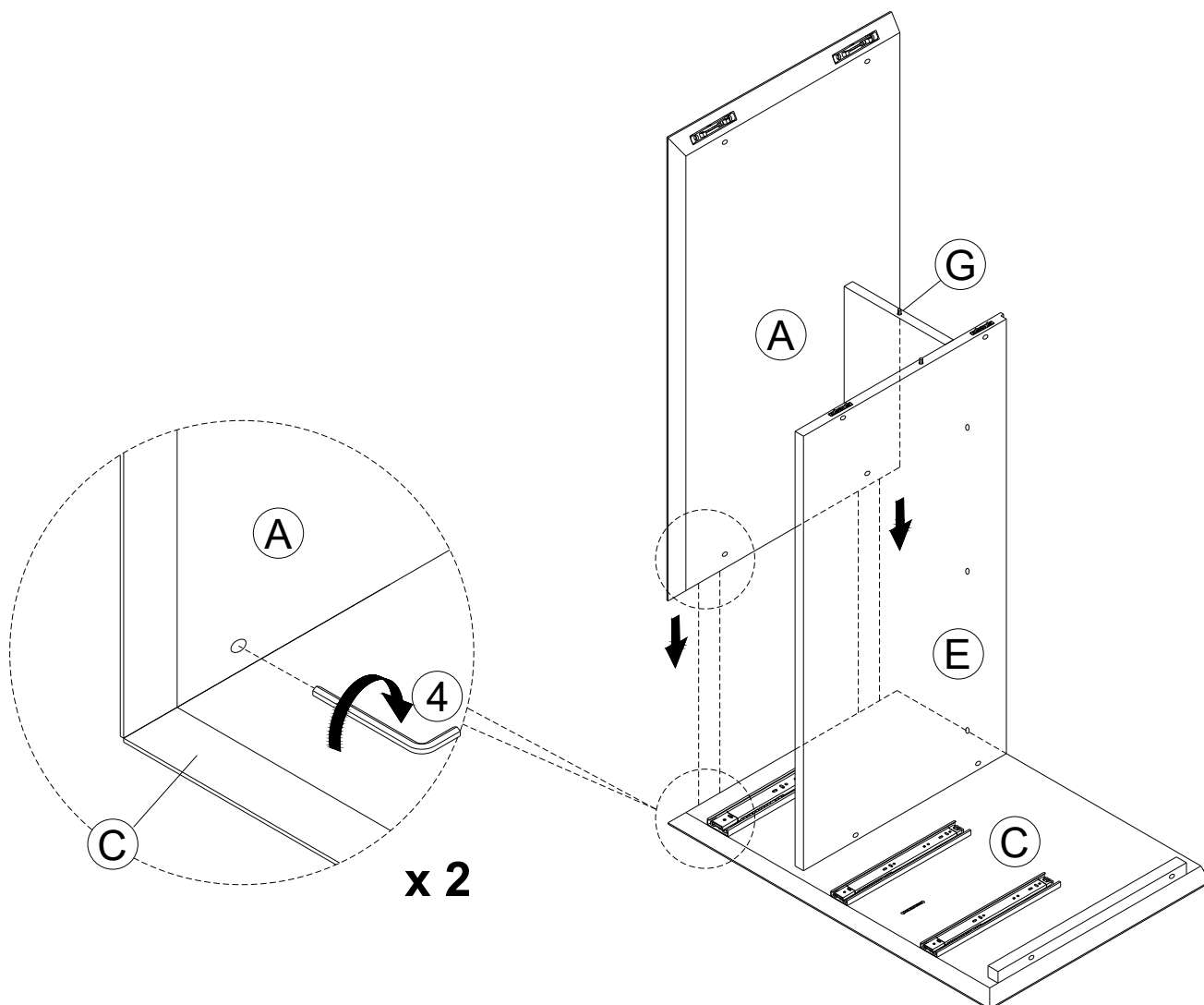
STEP 1

4		x1
5		x1
7		x3



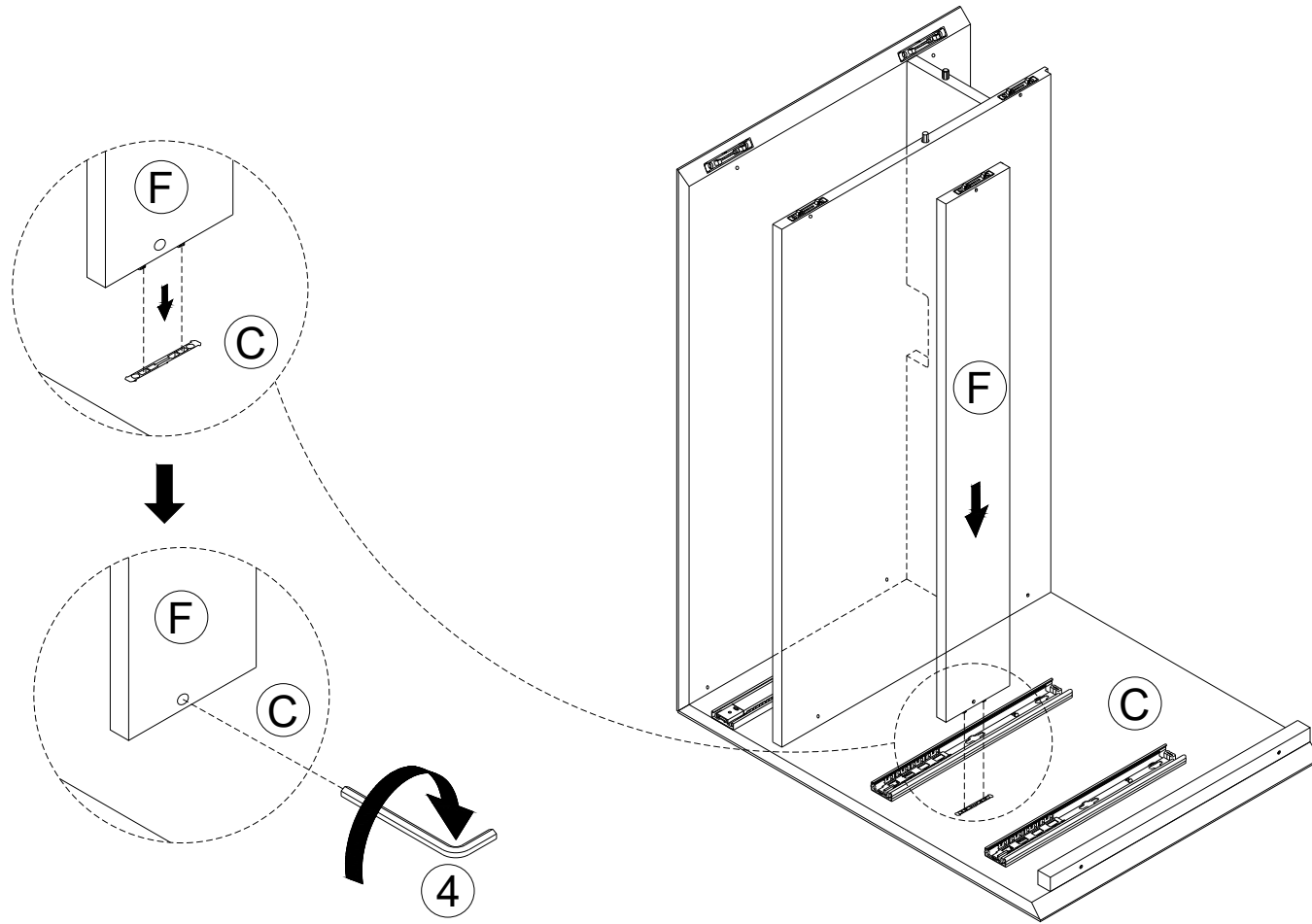
1. Connect part (G) to part (E) with screw (7), tight screw with screwdriver(5).
2. Insert part (G/E) into the corresponding hole of part (C), make sure all holes aligned and tight them with Allen wrench(4).

STEP 2



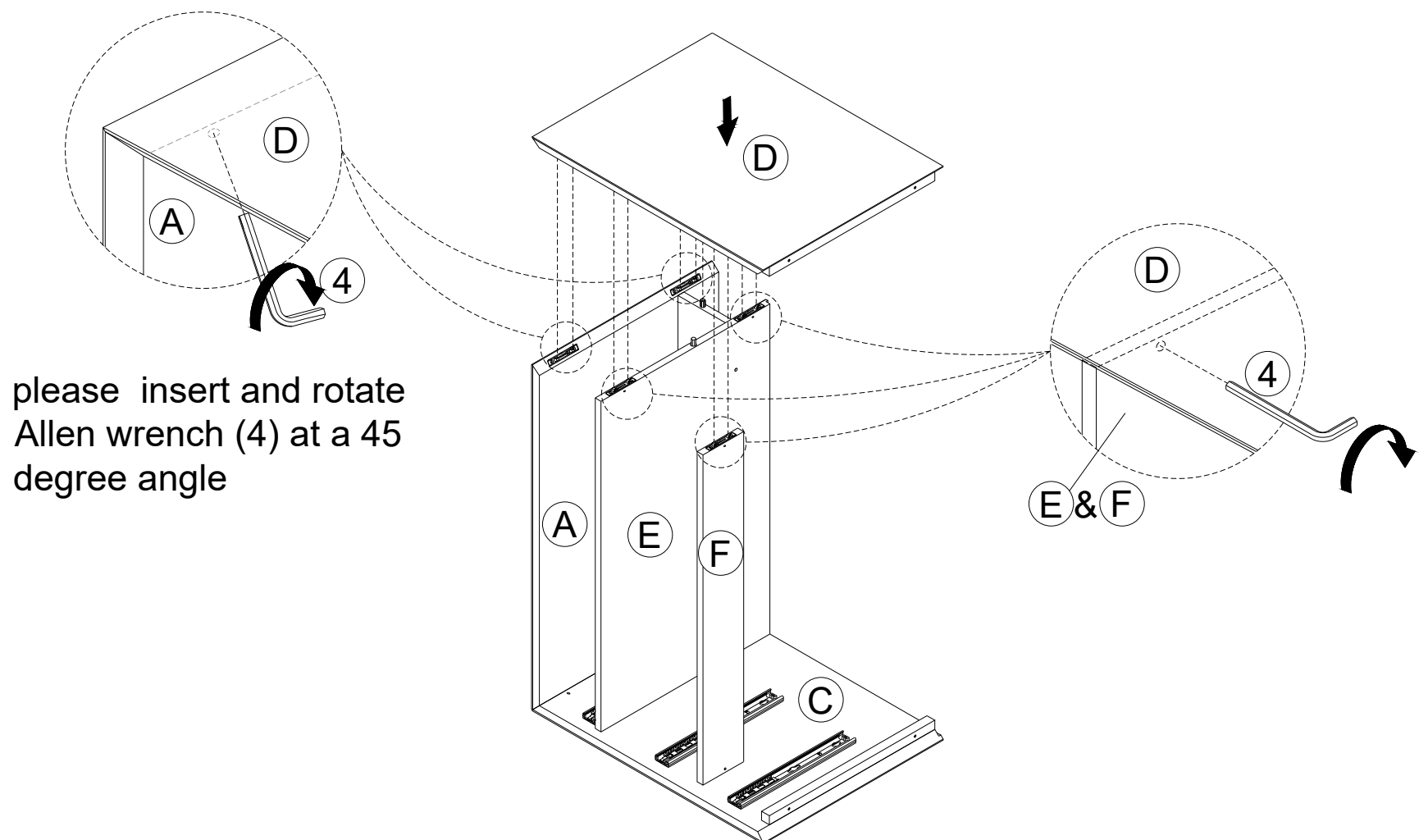
Insert top panel (A) into the corresponding hole of left side panel(C), make sure all holes aligned and use Allen wrench (4) to tighten it as picture show.

STEP 3




Insert front rail (F) into the corresponding hole of left side panel(C).make sure all holes aligned and use Allen wrench (4) to tighten it as picture show.

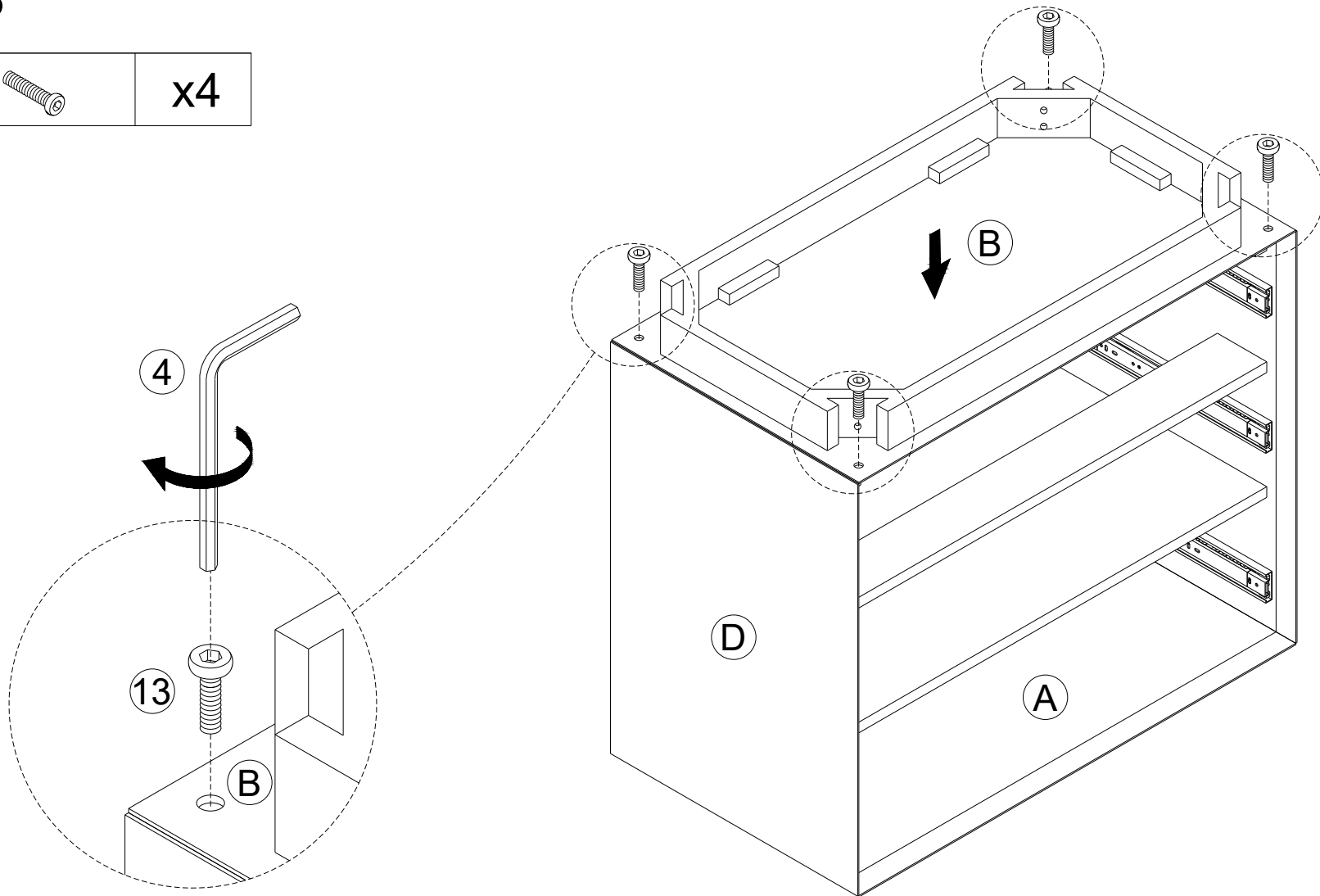
STEP 4



Insert right side panel(D) into the corresponding hole of preassembled step 3.make sure all holes aligned and use Allen key (4) to tighten it as picture show.




STEP 5

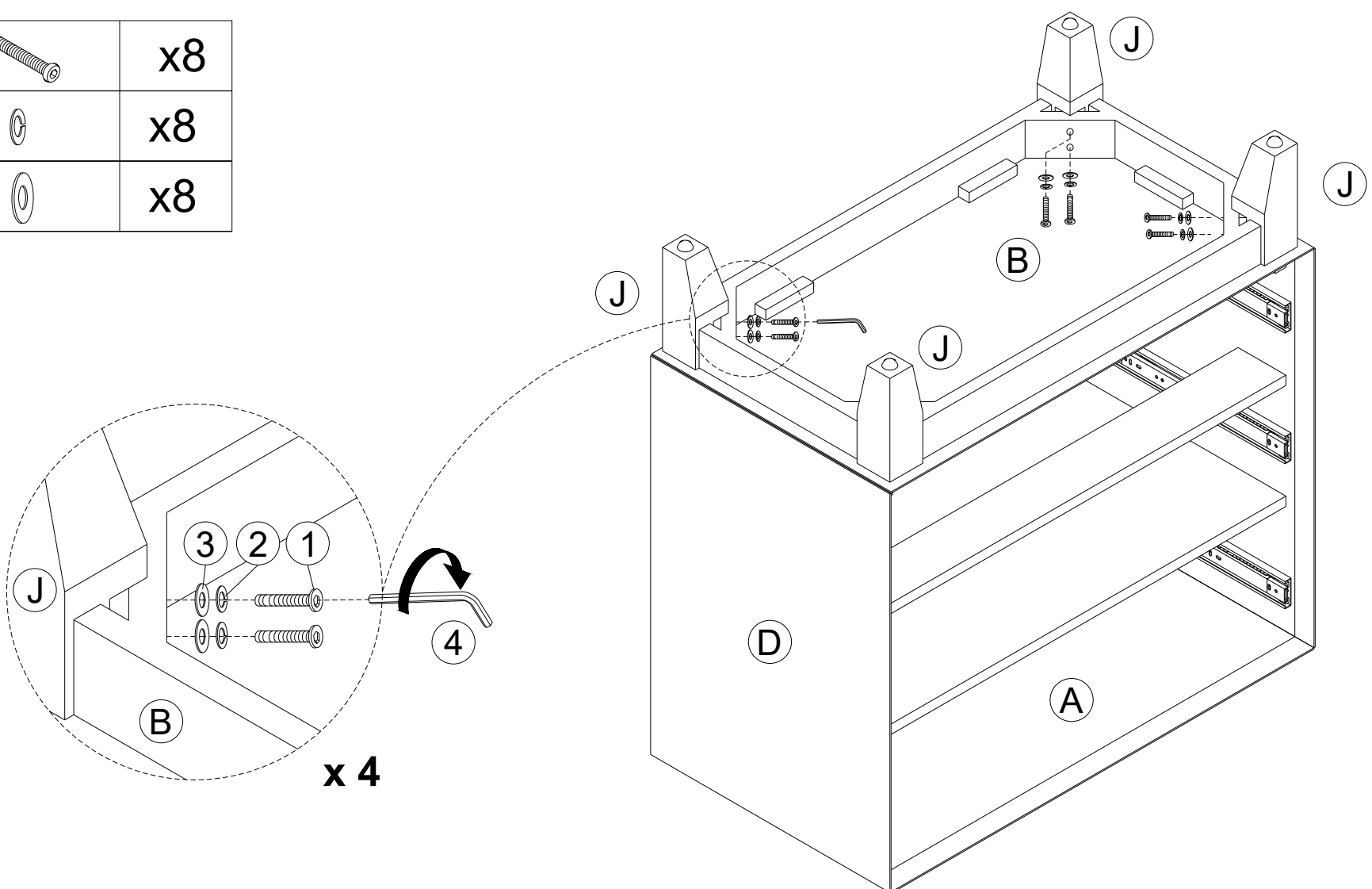
13		x4
----	---	----



Connect bottom panel(B) to the unit pre-assembled at step 4 with bolt (13), tight bolt with Allen wrench (4).

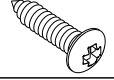
STEP 6

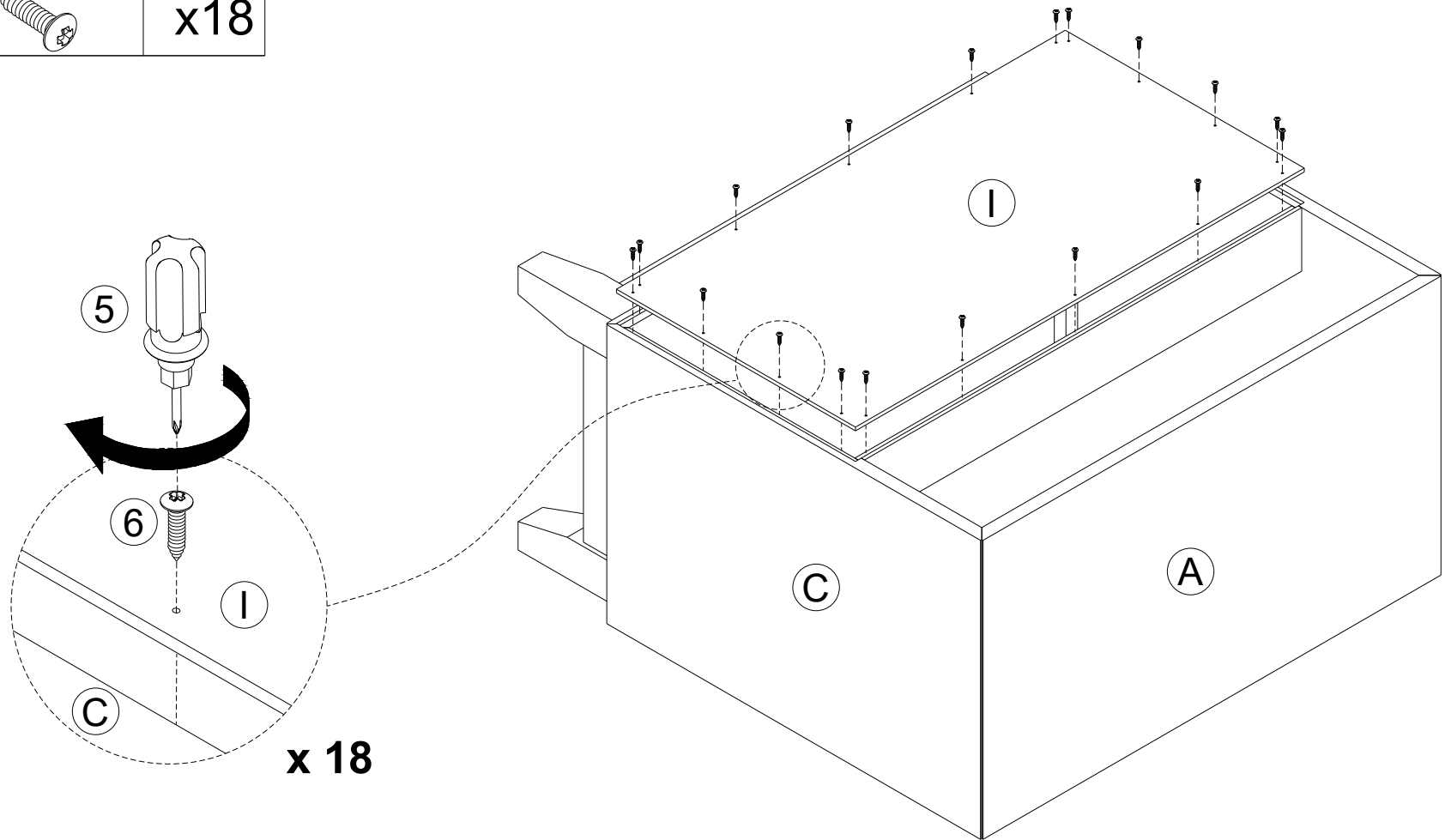
1		x8
2		x8
3		x8



Connect leg (J) to bottom panel (B) with bolt (1), spring washer(2) and flat washer(3), tight bolt with Allen wrench (4).

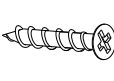
STEP 7

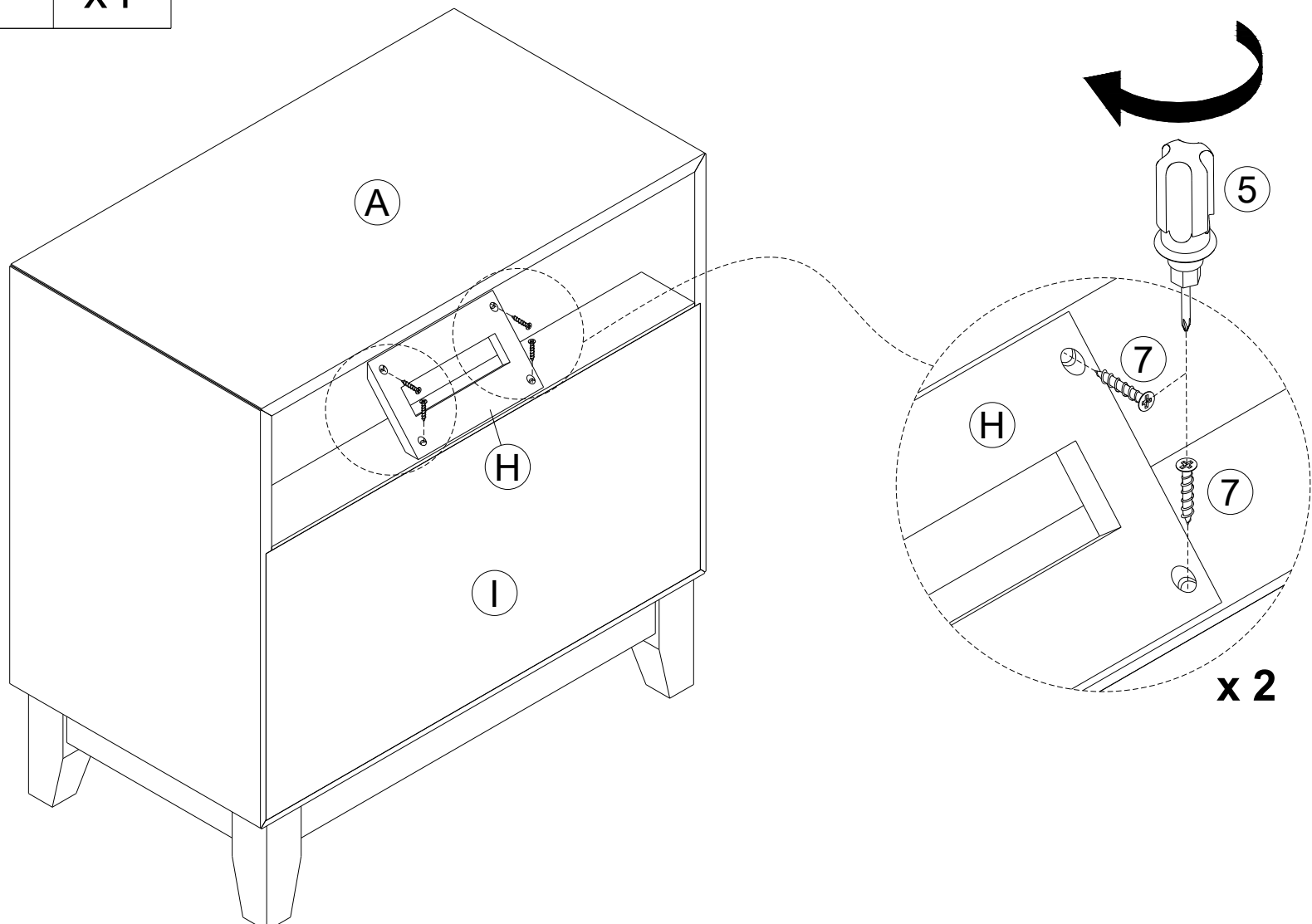
6		x18
---	---	-----



Connect back panel(I) to the unit pre-assembled at step 6 with screw (6), tight screw with screwdriver (5).

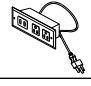
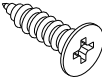
STEP 8

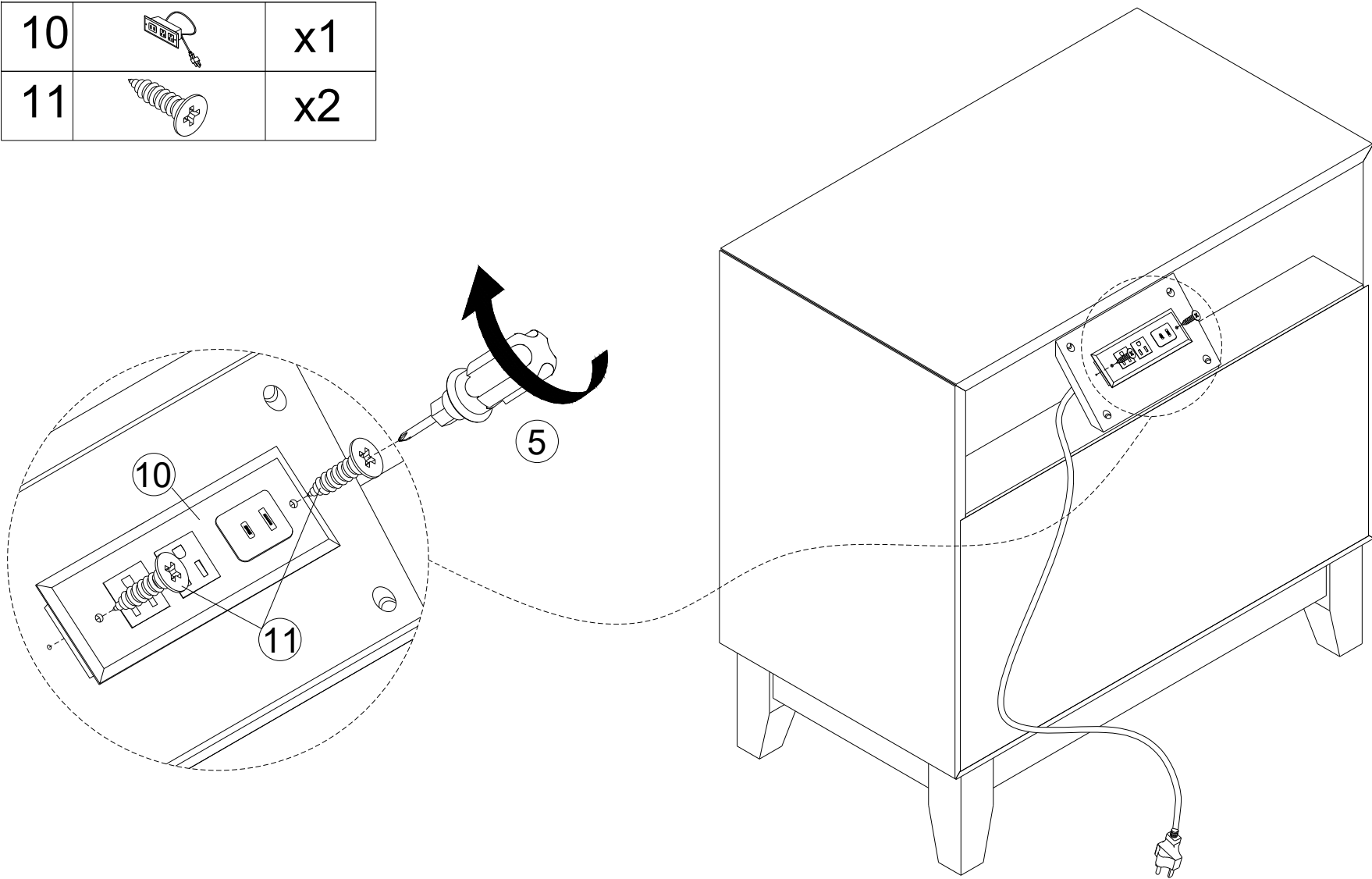
7		x4
---	---	----



Connect socket panel(H) to the unit pre-assembled at step 7 with screw (7), tight screw with screwdriver (5).

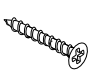
STEP 9

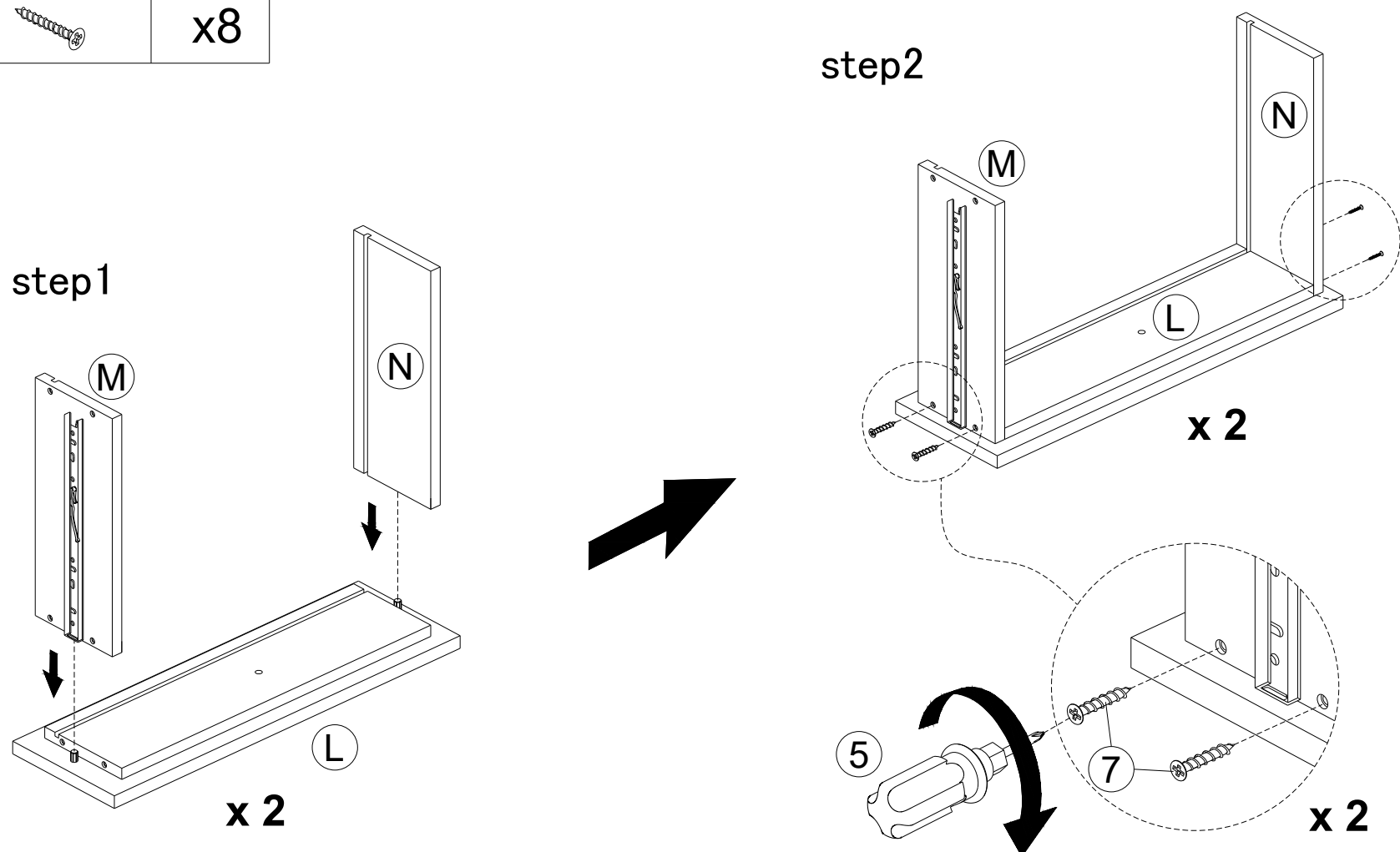
10		x1
11		x2



Connect socket(10) to the unit pre-assembled at step 8 with screw (11), tight screw with screwdriver (5).

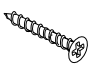
STEP 10

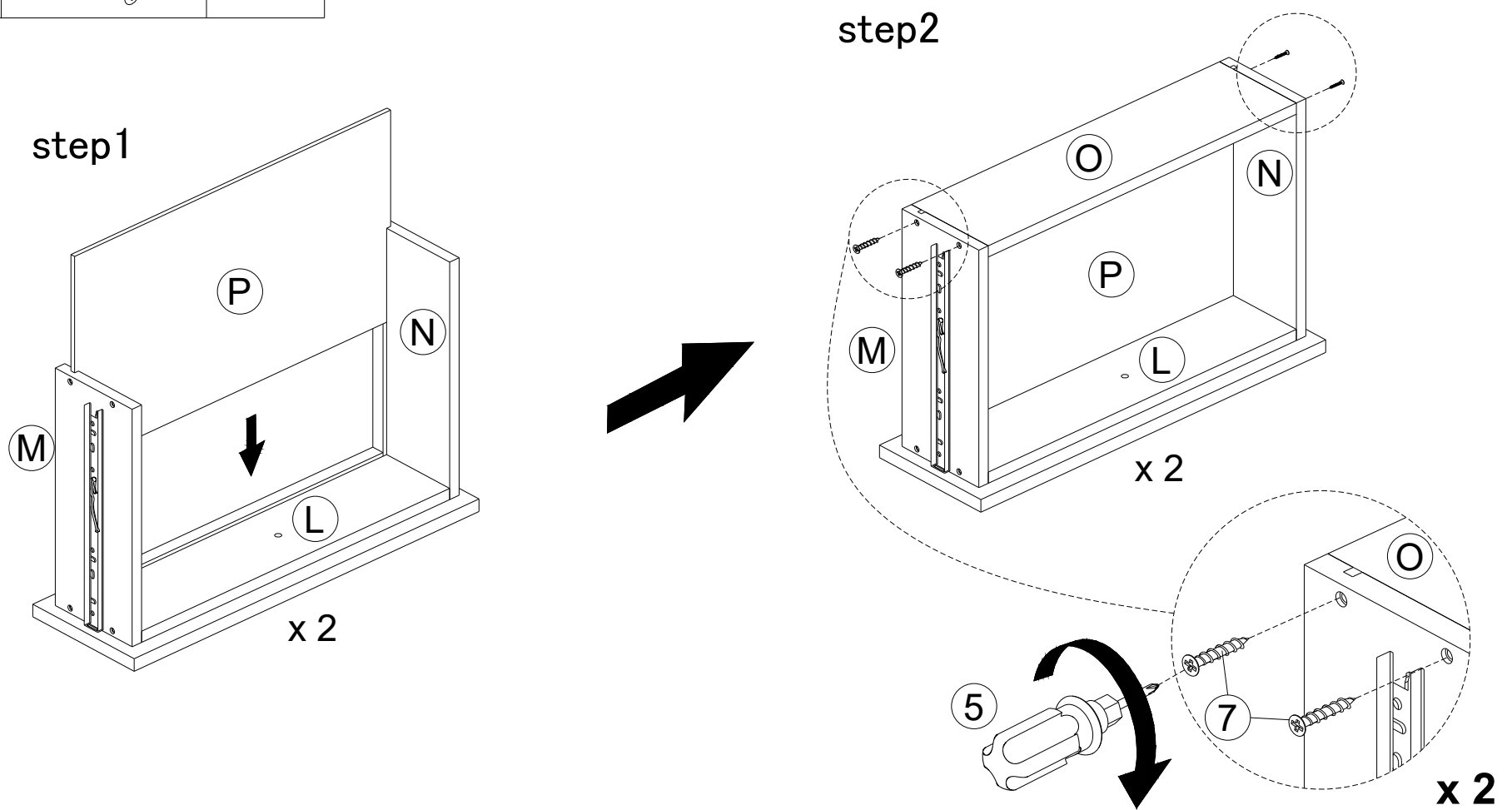
7		x8
---	---	----



Connect drawer side (M/N) to drawer front(L) with screw (7), tight screw with screwdriver (5).



STEP 11

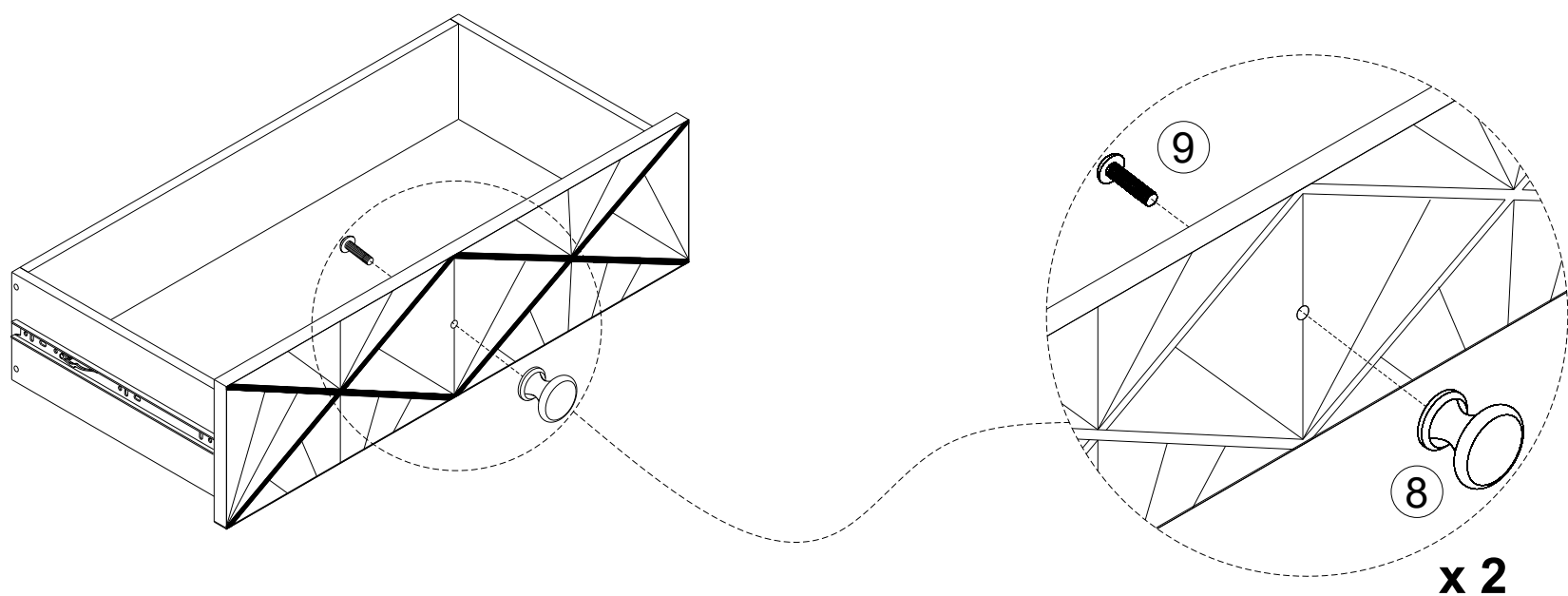
7		x8
---	---	----



1. Slide drawer bottom panel(P) to the groove of drawer side (M/N), make sure it also in the groove of drawer front (L).
2. Connect drawer back(O) to drawer side (M/N) with screw (7), tight screw with screwdriver(5)

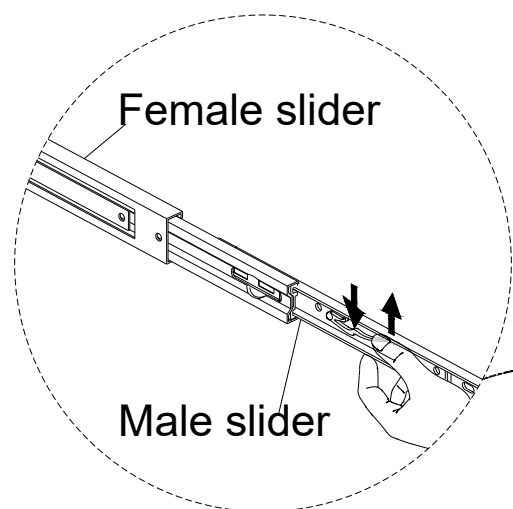
STEP 12

9		x2
8		x2

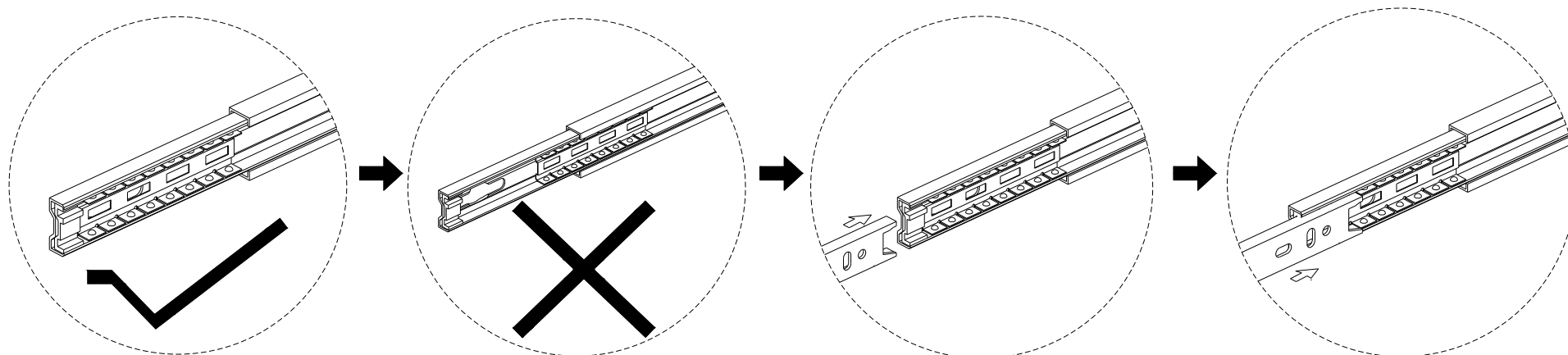
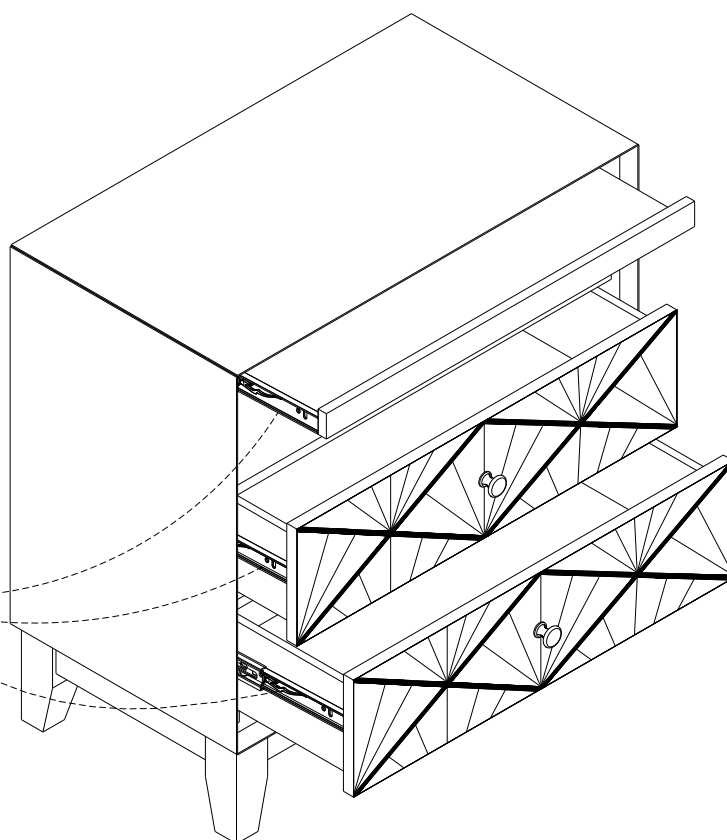


Connect knob (8) to drawer front panel (L) with small bolt (9), tight small bolt with screwdriver(5).

STEP 13

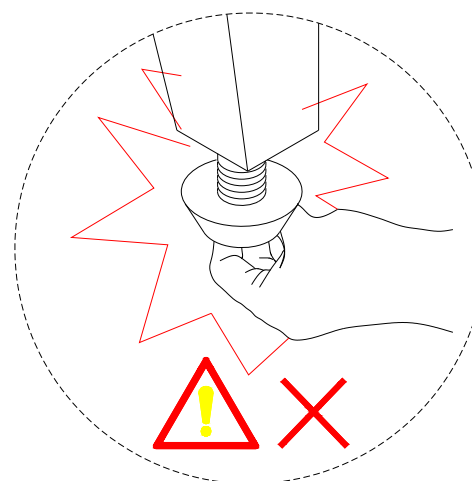
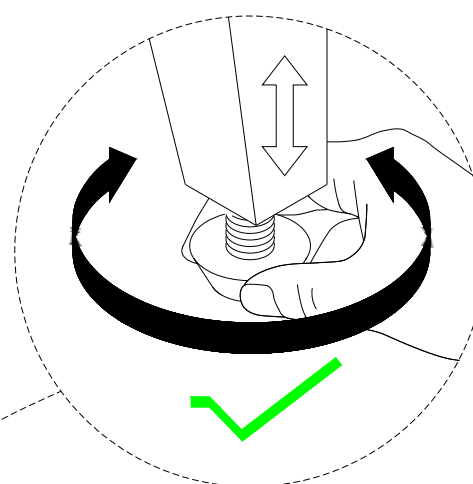
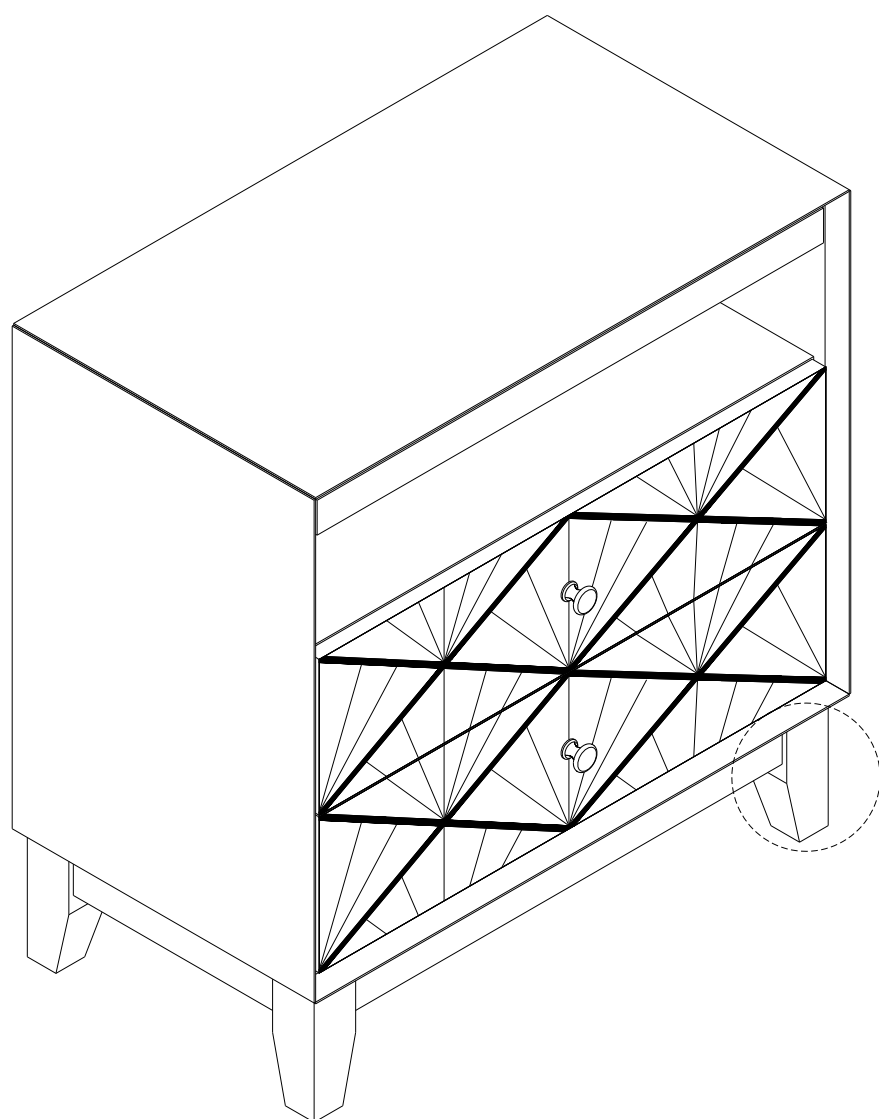


Schematic diagram of slide rail disassembly



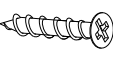
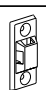
Insert drawer and pull panel into the body .

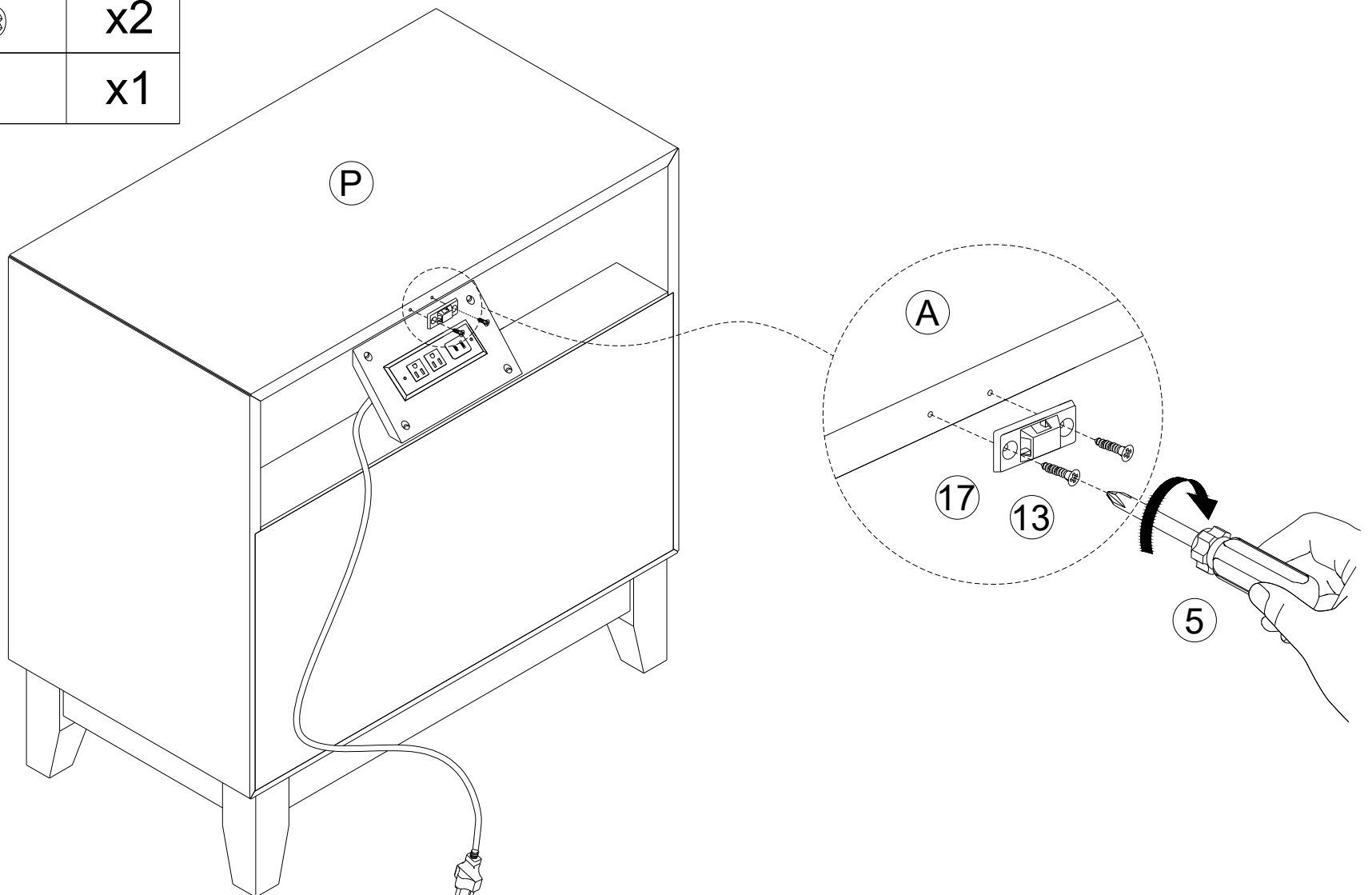
STEP 14



If the unit is not stable , please adjust the adjustable level.


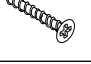
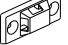
STEP 15

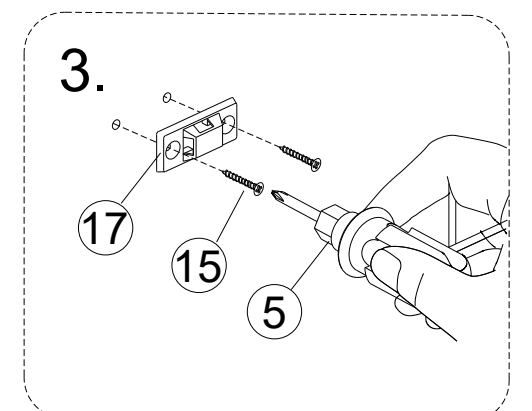
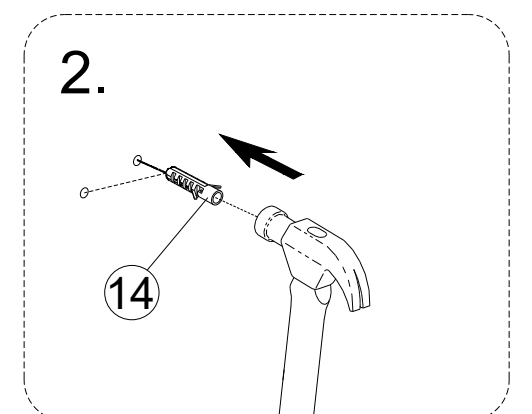
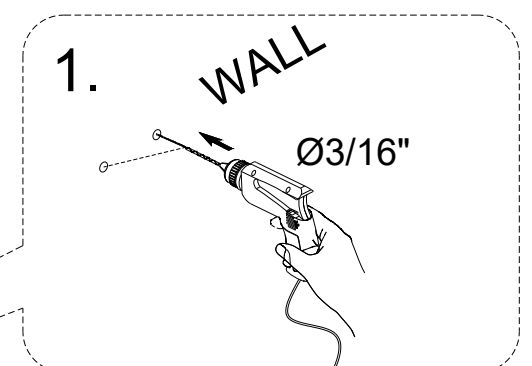
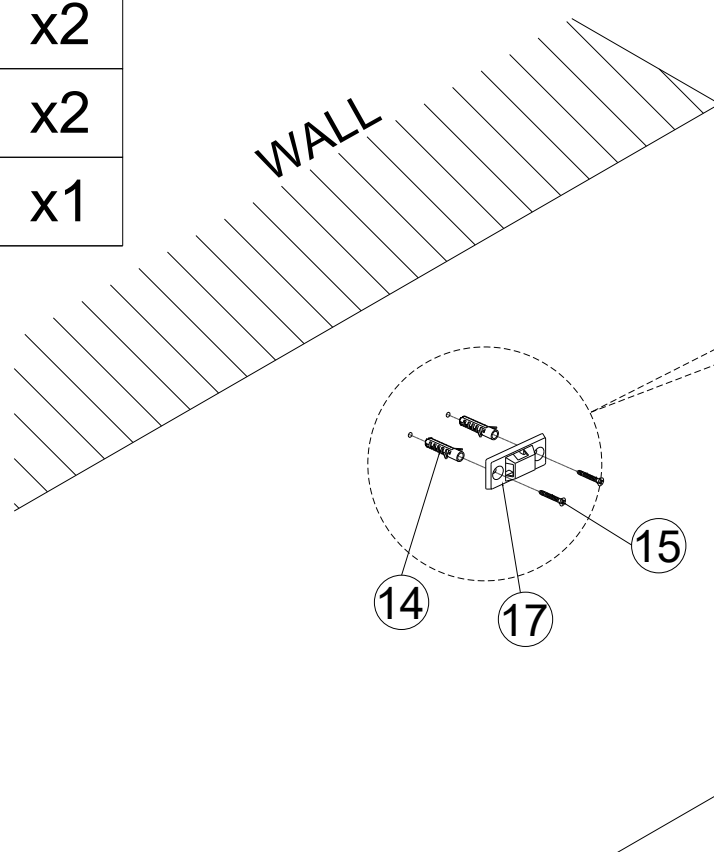
13		x2
17		x1



Connect bracket(17) to the unit pre-assembled at step 13 with screw (13), tight screw with screwdriver (5).

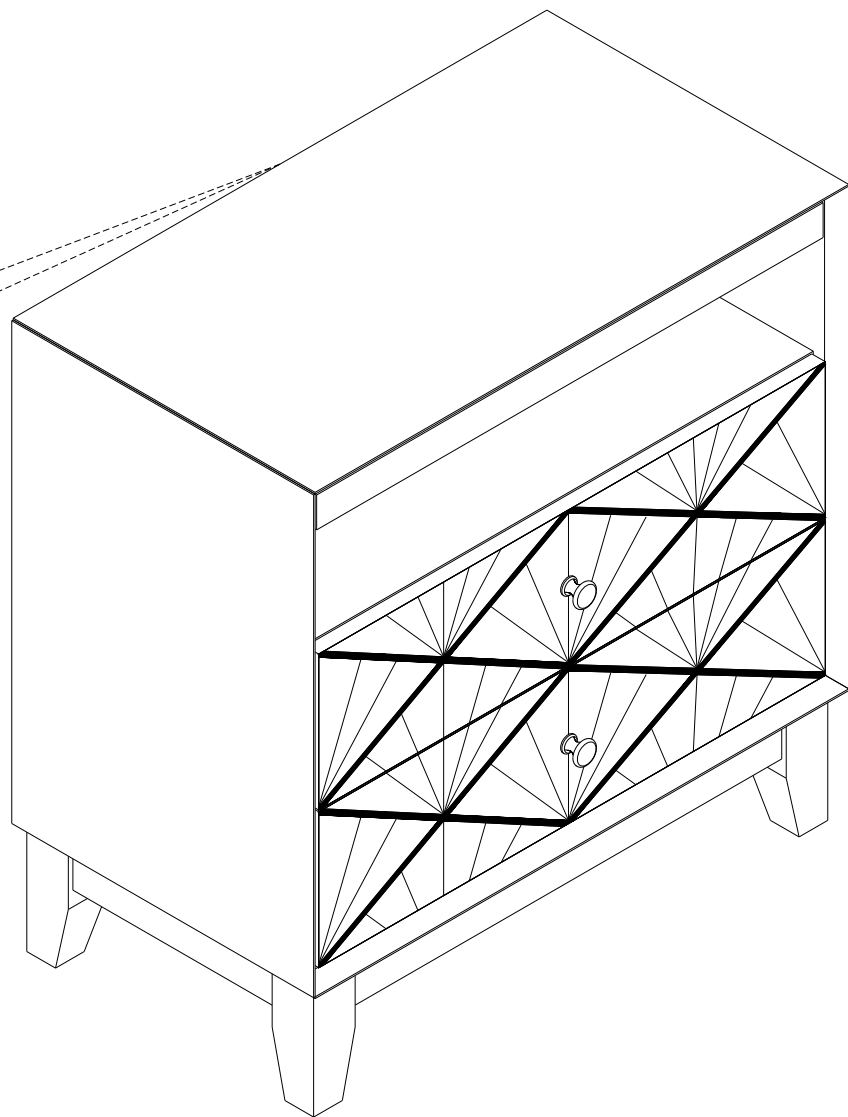
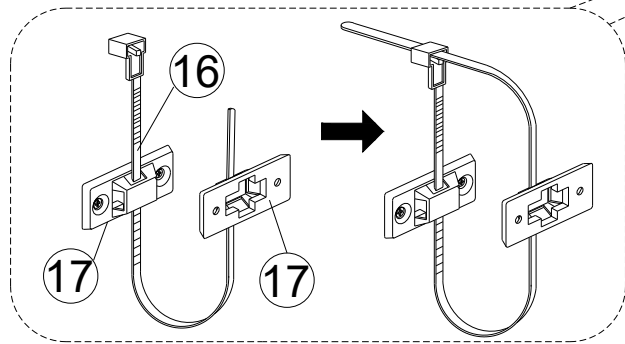
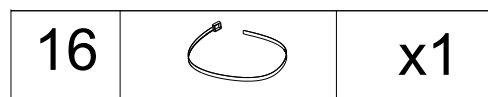
STEP 16

14		x2
15		x2
17		x1



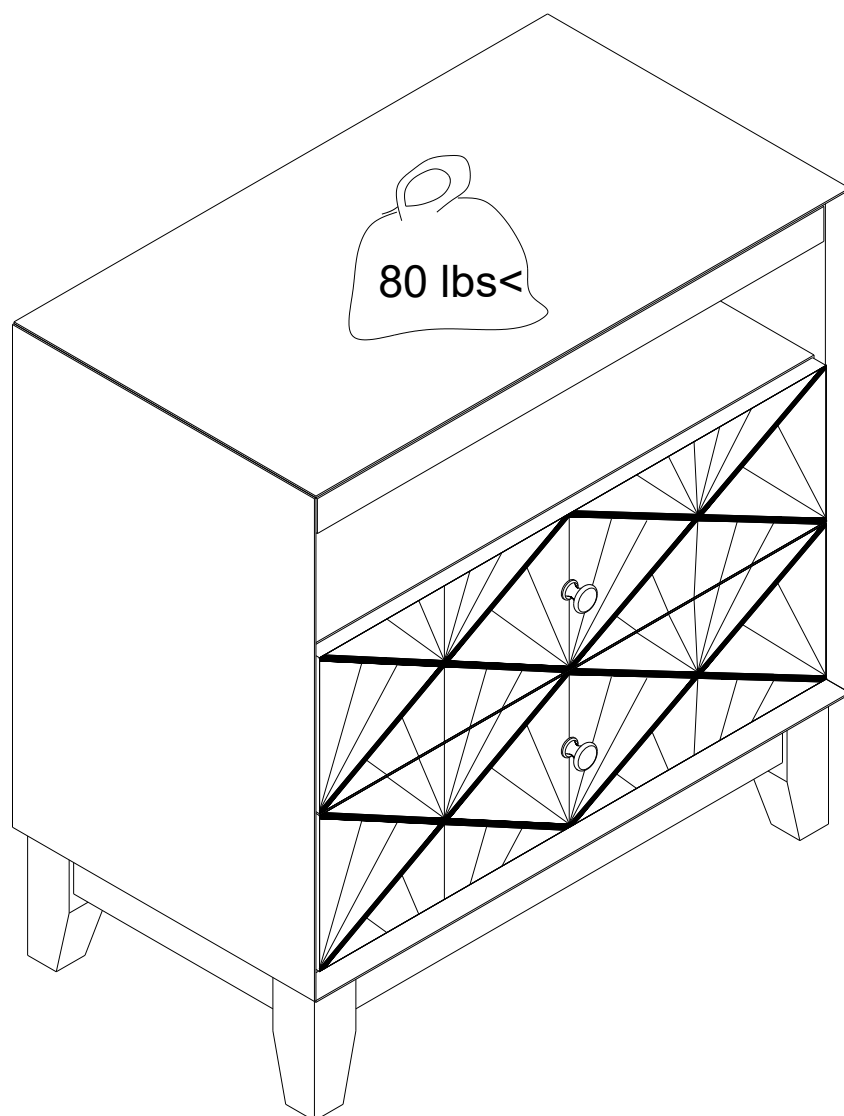
- 1.Install the anti-collapse device.
- 2.Mark the position on the wall, that corresponds to the location of part (17) on the panel (A); Drill and insert the expandable screw(14) by hammer.
- 3.Assemble the part(17) to the wall. Align the hole in the part (17) with the expandable screw (14) , use screw (15) to attach it and tighten by screwdriver (5) .

STEP 17



Let the plastic belt(16) pass through the both bracket (17) and pull tightly.
Attach the unit to the wall with Tie(15) Anti-tipping hardware must be used for this product to avoid tipping and injury.

STEP 18



MAINTENANCE AND WARNING



- Keep furniture away from heat.
- Do not clean furniture with harsh cleansers or polish. Do not use detergents, Solvents, abrasives, spray packs or leather cleaner. Use non-color mild soap with warm water clean spills(Mix 1:10 soap to water)
- Do not place furniture under direct sunlight, material will possibly fade over time.
- Do not use on site dry Cleaning machine.
- Children should not climb or jump on the furniture.
- Do not write on furniture without a padded barrier to protect the surface.
- Not for commercial use, For residential use only.
- The maximum load is 80 LBS.

WARRANTY

We strive to offer high , quality products, and we also try our best to satisfy each and every customer that orders from us with product or service as needed. We provide 30 days warranty starting from the time you receive the item. Each customer must provide a record of their order such as the order number, or item receipt for any items that are out of the warranty period you may also still receive replacement parts by purchasing them with our company if they are available.

For return, please check the return policy with the retailer or market place you bought from. Appreciate your purchasing from us. Pop up your life by our furniture piece!